



US00D872816S

(12) **United States Design Patent** (10) **Patent No.:** **US D872,816 S**
Parsons et al. (45) **Date of Patent:** **** Jan. 14, 2020**

- (54) **GOLF CLUB HEADS**
- (71) Applicant: **PARSONS XTREME GOLF, LLC**,
Scottsdale, AZ (US)
- (72) Inventors: **Robert R. Parsons**, Scottsdale, AZ
(US); **Michael R. Nicolette**, Scottsdale,
AZ (US)
- (73) Assignee: **PARSONS XTREME GOLF, LLC**,
Scottsdale, AZ (US)
- (**) Term: **15 Years**
- (21) Appl. No.: **29/664,996**
- (22) Filed: **Sep. 28, 2018**

5,390,919 A	2/1995	Stubbs	
5,429,366 A	7/1995	McCabe	
D363,101 S	10/1995	Sturm	
D365,864 S	1/1996	Sturm	
5,489,097 A	2/1996	Simmons	
D368,751 S	4/1996	Rife	
D369,393 S	4/1996	Takahashi et al.	
5,571,053 A	11/1996	Lane	
D378,688 S	4/1997	Cameron	
D380,514 S *	7/1997	Markley	D21/741
D385,609 S	10/1997	Cameron	
5,683,307 A	11/1997	Rife	
D388,143 S	12/1997	Huan-Chiang	
D389,207 S	1/1998	Cameron	
D398,685 S	9/1998	Masuda	
D399,290 S	10/1998	Sizemore, Jr.	
D399,911 S	10/1998	Sanchez	
5,839,974 A	11/1998	McAllister	
D405,836 S	2/1999	Nicolette et al.	
D409,701 S	5/1999	Ashcraft et al.	
5,924,938 A	7/1999	Hines	
D422,655 S	4/2000	Hicks	
D426,276 S	6/2000	Besnard et al.	
D431,854 S	10/2000	Cameron	
D432,192 S	10/2000	Hicks	
D436,151 S	1/2001	Nicolette et al.	
D437,374 S	2/2001	Cameron	
D441,820 S	5/2001	Nicolette et al.	
D443,668 S	6/2001	Nicolette et al.	
D443,905 S	6/2001	Nicolette et al.	
D444,833 S	7/2001	Wells et al.	
6,264,571 B1	7/2001	Lekavich	
D449,664 S	10/2001	Beebe et al.	
D449,865 S	10/2001	Fife et al.	
D450,799 S	11/2001	Nicolette et al.	
D451,973 S	12/2001	Wells et al.	
6,348,014 B1	2/2002	Chiu	
6,354,959 B1	3/2002	Nicolette	
6,394,910 B1	5/2002	McCarthy	
D472,949 S	4/2003	Serrano et al.	
D474,821 S	5/2003	Wells et al.	
D483,086 S	12/2003	Schweigert et al.	
D486,872 S	2/2004	Schweigert et al.	
D498,276 S	11/2004	Schweigert et al.	
6,902,496 B2	6/2005	Solheim	
D511,801 S *	11/2005	Garcia	D21/742
D512,114 S *	11/2005	Garcia	D21/742
D512,116 S	11/2005	Miraflor et al.	
6,988,956 B2	1/2006	Cover	
D520,088 S	5/2006	Parr	
D531,242 S	10/2006	Adams	
D532,067 S	11/2006	Soracco et al.	
7,153,220 B2	12/2006	Lo	

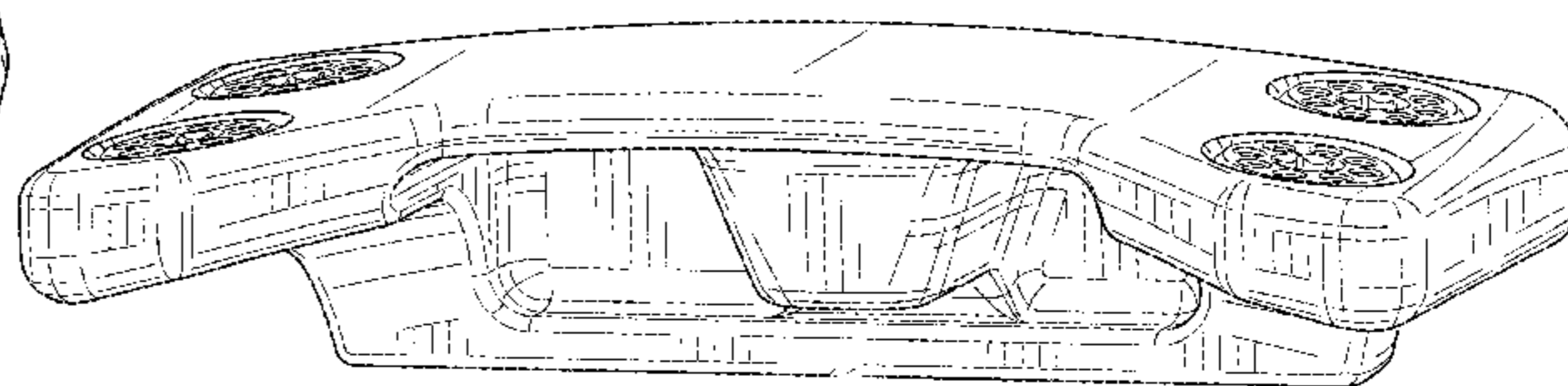
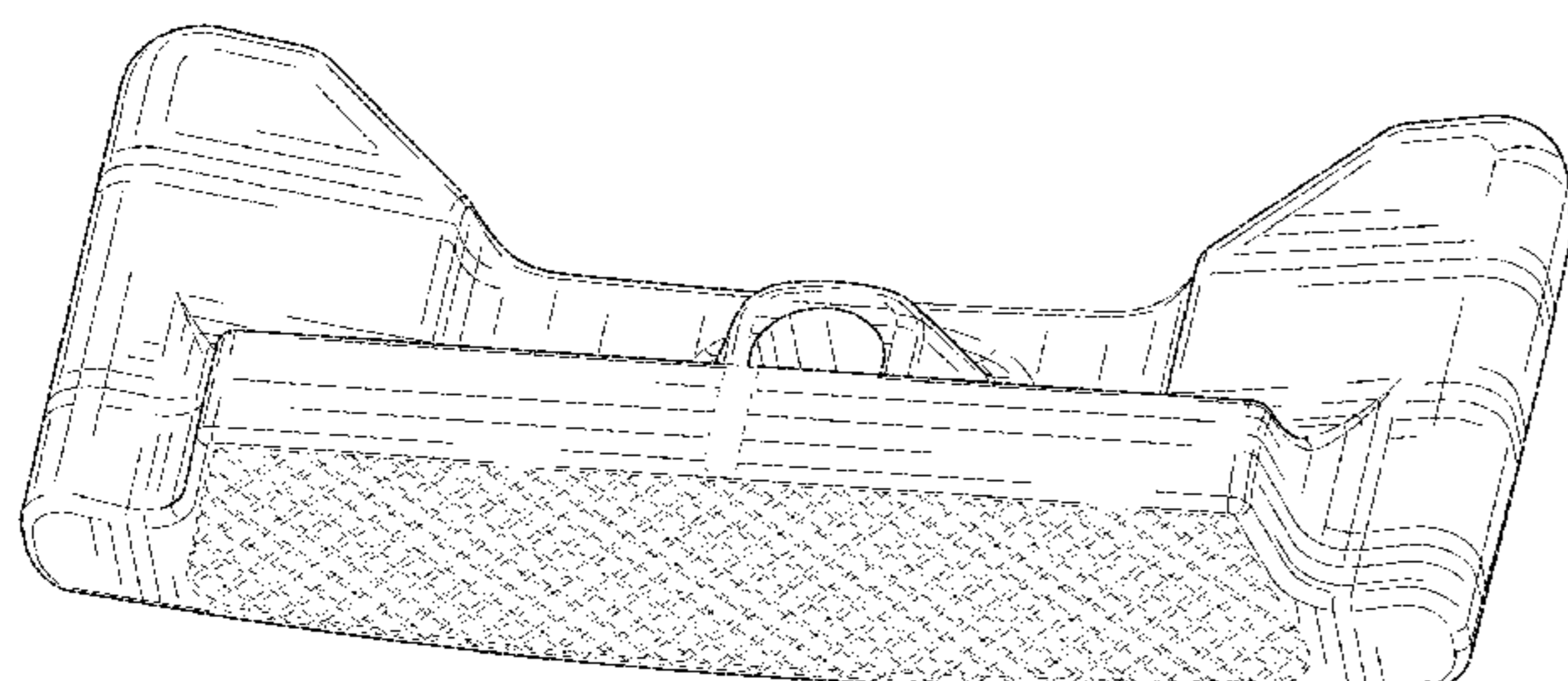
Related U.S. Application Data

- (63) Continuation-in-part of application No. 29/654,486,
filed on Jun. 25, 2018, now abandoned.
- (51) **LOC (12) Cl.** **21-02**
- (52) **U.S. Cl.**
USPC **D21/736**
- (58) **Field of Classification Search**
USPC D21/736-746, 759
CPC A63B 53/00; A63B 53/04; A63B 53/007;
A63B 53/065; A63B 53/0487; A63B
60/00; A63B 60/46
See application file for complete search history.

References Cited

U.S. PATENT DOCUMENTS

RE19,178 E	5/1934	Spiker
4,043,562 A	8/1977	Shillington
D248,783 S	8/1978	Long
D281,092 S	10/1985	Mills
4,754,977 A	7/1988	Sahm
4,869,507 A	9/1989	Sahm
D313,451 S	1/1991	Shearer
D335,317 S	5/1993	Shearer
D335,692 S	5/1993	Antonious
D336,757 S	6/1993	Antonious
D350,582 S	9/1994	Miansian et al.



D534,595 S	1/2007	Hasebe	
7,156,752 B1	1/2007	Bennett	
D536,401 S	2/2007	Kawami	
D536,403 S	2/2007	Kawami	
D538,371 S	3/2007	Kawami	
7,204,765 B2	4/2007	Cover	
D542,869 S	5/2007	Adams	
D543,598 S	5/2007	Kuan et al.	
D543,601 S	5/2007	Kawami	
D555,219 S	11/2007	Lin	
D556,277 S	11/2007	Broom	
D561,854 S	2/2008	Morris	
7,331,876 B2	2/2008	Klein	
7,351,162 B2	4/2008	Soracco	
D569,461 S	5/2008	Morris	
D569,930 S	5/2008	Nehrbas	
7,396,289 B2	7/2008	Soracco	
D577,085 S	9/2008	Nicolette et al.	
D577,086 S	9/2008	Nicolette et al.	
D579,506 S	10/2008	Nicolette et al.	
D579,995 S	11/2008	Nicolette et al.	
D582,497 S	12/2008	Rollinson	
7,473,189 B2	1/2009	Schweigert	
7,491,131 B2	2/2009	Vinton	
D599,425 S	9/2009	Laub	
D599,867 S	9/2009	Teramoto	
D600,763 S	9/2009	Cameron	
D601,214 S	9/2009	Serrano	
D607,951 S	1/2010	Teramoto	
7,744,485 B2	6/2010	Jones	
D620,993 S	8/2010	Laub	
D623,709 S	9/2010	Serrano et al.	
D631,925 S	2/2011	Broom	
7,887,432 B2	2/2011	Jones	
D633,964 S	3/2011	Teramoto	
7,909,707 B2	3/2011	Klein	
7,918,745 B2	4/2011	Morris	
7,927,226 B1 *	4/2011	Twitty	A63B 53/0487 473/251
D638,891 S	5/2011	Nicolette et al.	
D642,643 S	8/2011	Nicolette et al.	
D643,485 S	8/2011	Nicolette et al.	
D645,104 S	9/2011	Nicolette et al.	
8,096,039 B2	1/2012	Soracco	
D653,718 S	2/2012	Stokke et al.	
D655,361 S	3/2012	Ramsauer	
D661,753 S	6/2012	Cameron et al.	
D666,260 S	8/2012	Cynn	
8,376,878 B2	2/2013	Bennett	
D688,339 S	8/2013	Hilton et al.	
D688,341 S	8/2013	Rollinson	
D691,226 S	10/2013	Hilton et al.	
D699,308 S	2/2014	Rollinson	
D704,782 S	5/2014	Rollinson	
8,721,472 B2	5/2014	Kuan	
8,790,193 B2	7/2014	Serrano	
D711,483 S	8/2014	Wong	
D722,350 S	2/2015	Schweigert	
D722,351 S	2/2015	Parsons et al.	
D722,352 S	2/2015	Nicolette et al.	
D723,120 S	2/2015	Nicolette et al.	
D724,164 S	3/2015	Schweigert et al.	
D725,208 S *	3/2015	Schweigert	D21/743
D726,265 S	4/2015	Nicolette	
D726,846 S *	4/2015	Schweigert	D21/743
D733,234 S	6/2015	Nicolette	
D735,283 S *	7/2015	Solheim	D21/743
D738,447 S *	9/2015	Schweigert	D21/736
D738,449 S *	9/2015	Schweigert	D21/759
D739,487 S	9/2015	Schweigert	
D741,426 S	10/2015	Schweigert	
D746,926 S	1/2016	Parsons et al.	
D748,213 S	1/2016	Parsons et al.	
D748,215 S	1/2016	Parsons et al.	
9,233,283 B2	1/2016	Schweigert	
D752,697 S	3/2016	Claveran	
D753,252 S *	4/2016	Schweigert	D21/759
D791,891 S	7/2017	Davis	
D794,146 S	8/2017	Davis	

D812,163 S *	3/2018	Kroloff	D21/736
2007/0142122 A1	6/2007	Bonneau	
2007/0207875 A1	9/2007	Kuan	
2007/0238548 A1	10/2007	Johnson	
2008/0139333 A1	6/2008	Klein	
2008/0146372 A1	6/2008	John	
2008/0176672 A1	7/2008	Roach	
2011/0165959 A1	7/2011	Klein	
2013/0165256 A1	6/2013	Stevenson	
2013/0210537 A1	8/2013	Ainscough	

FOREIGN PATENT DOCUMENTS

JP 20050160691 6/2005

OTHER PUBLICATIONS

U.S. Appl. No. 14/586,720, Parsons et al., "Golf Club Heads and Methods to Manufacture Golf Club Heads," filed Dec. 30, 2014.
 U.S. Appl. No. 29/523,587, Schweigert, "Golf Club Head," filed Apr. 10, 2015.
 TourSpecGolf(Gold's Factory Multi Weighted Custom Putter) [online]. Nov. 20, 2010 [retrieved Jul. 7, 2015]. Retrieved from the internet: <URL: <http://www.toursecgolf.com/blog/golds-factory-multi-weighted-custom-putter/>>.
 International Search Report and Written Opinion issued in connection with corresponding application No. PCT/US15/27841 dated Jul. 30, 2015 (14 pages).

* cited by examiner

Primary Examiner — Mitchell I. Siegel

(57) CLAIM

The ornamental design for a golf club head, as shown and described.

DESCRIPTION

FIG. 1 is a top perspective view of a golf club head;
 FIG. 2 is a bottom perspective view of the golf club head of FIG. 1;
 FIG. 3 is a front elevational view of the golf club head of FIG. 1;
 FIG. 4 is a rear elevational view of the golf club head of FIG. 1;
 FIG. 5 is a top view of the golf club head of FIG. 1;
 FIG. 6 is a bottom view of the golf club head of FIG. 1;
 FIG. 7 is a left side view of the golf club head of FIG. 1;
 FIG. 8 is a right side view of the golf club head of FIG. 1;
 FIG. 9 is a top perspective of a second embodiment of the golf club head;
 FIG. 10 is a bottom perspective view of the golf club head of FIG. 9;
 FIG. 11 is a front elevational view of the golf club head of FIG. 9;
 FIG. 12 is a rear elevational view of the golf club head of FIG. 9;
 FIG. 13 is a top view of the golf club head of FIG. 9;
 FIG. 14 is a bottom view of the golf club head of FIG. 9;
 FIG. 15 is a left side view of the golf club head of FIG. 9;
 FIG. 16 is a right side view of the golf club head of FIG. 9;
 FIG. 17 is a top perspective of a third embodiment of the golf club head;
 FIG. 18 is a bottom perspective view of the golf club head of FIG. 17;
 FIG. 19 is a front elevational view of the golf club head of FIG. 17;

FIG. **20** is a rear elevational view of the golf club head of FIG. **17**;

FIG. **21** is a top view of the golf club head of FIG. **17**;

FIG. **22** is a bottom view of the golf club head of FIG. **17**;

FIG. **23** is a left side view of the golf club head of FIG. **17**;

and,

FIG. **24** is a right side view of the golf club head of FIG. **17**.

The broken lines shown are included for the purpose of illustrating unclaimed subject matter and forms no part of the claimed design.

1 Claim, 21 Drawing Sheets

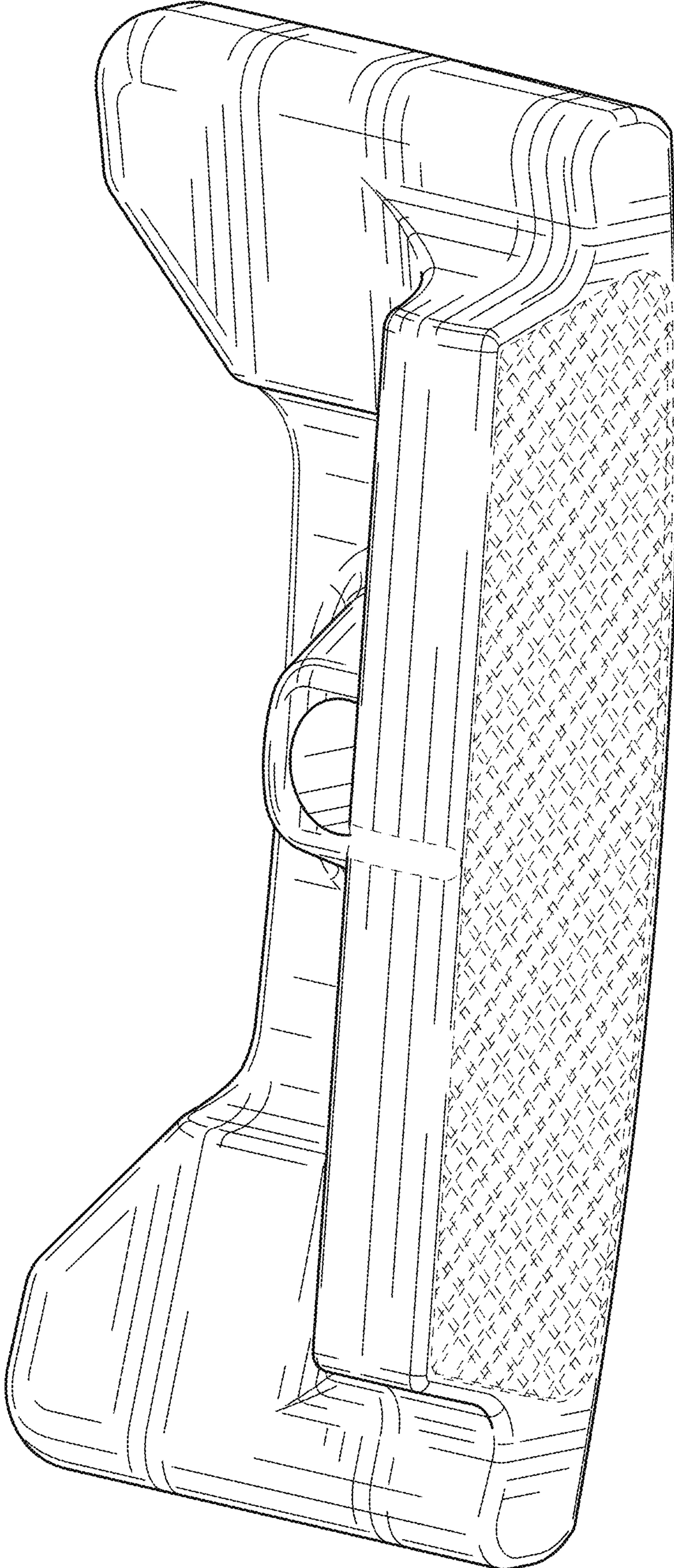


FIG. 1

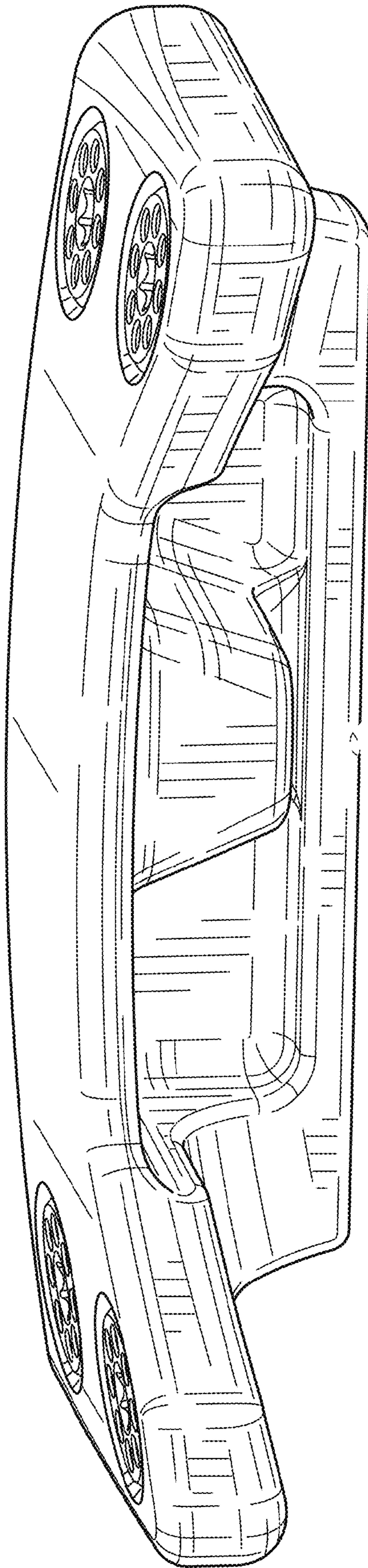


FIG. 2

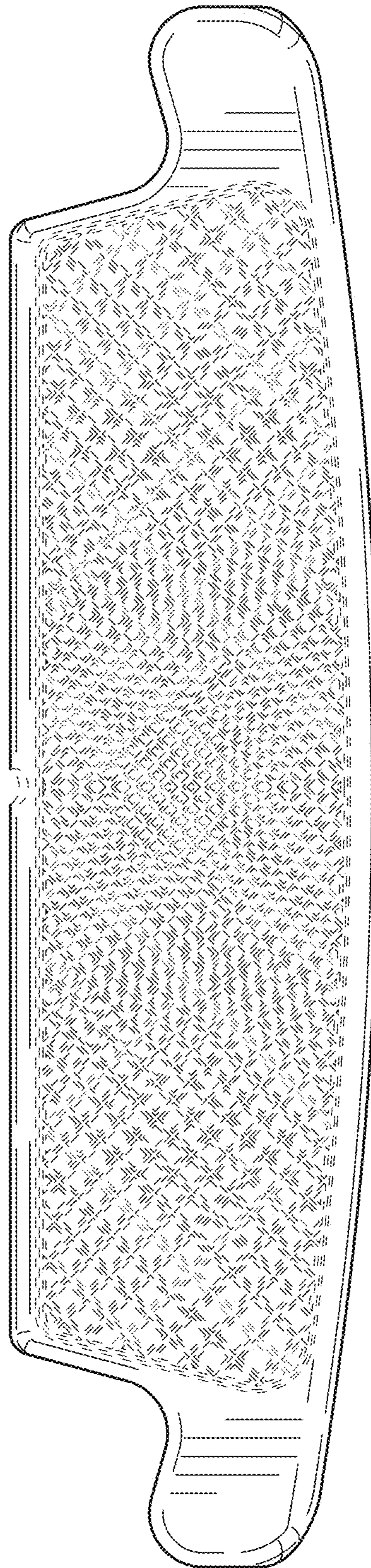


FIG. 3

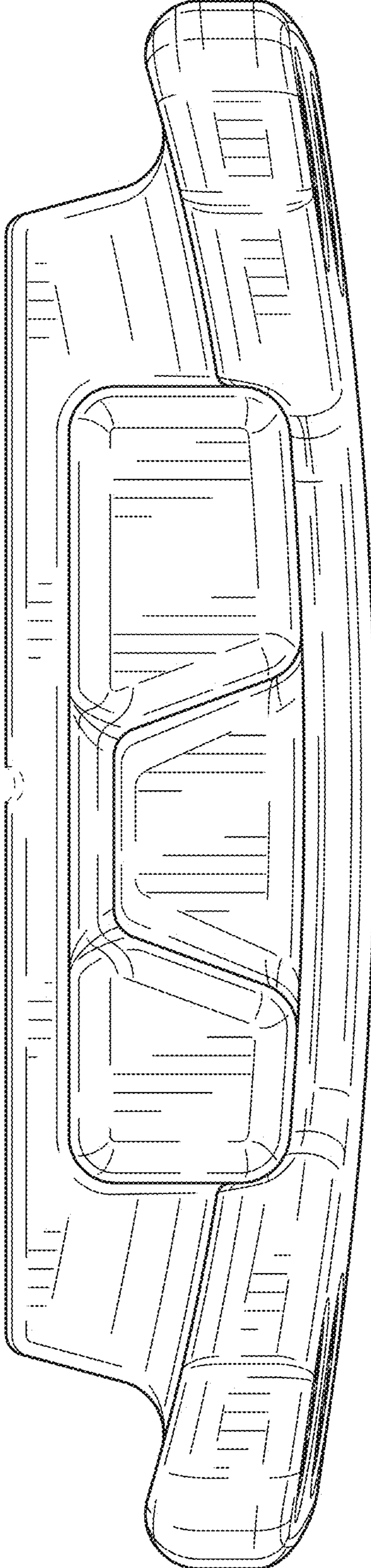


FIG. 4

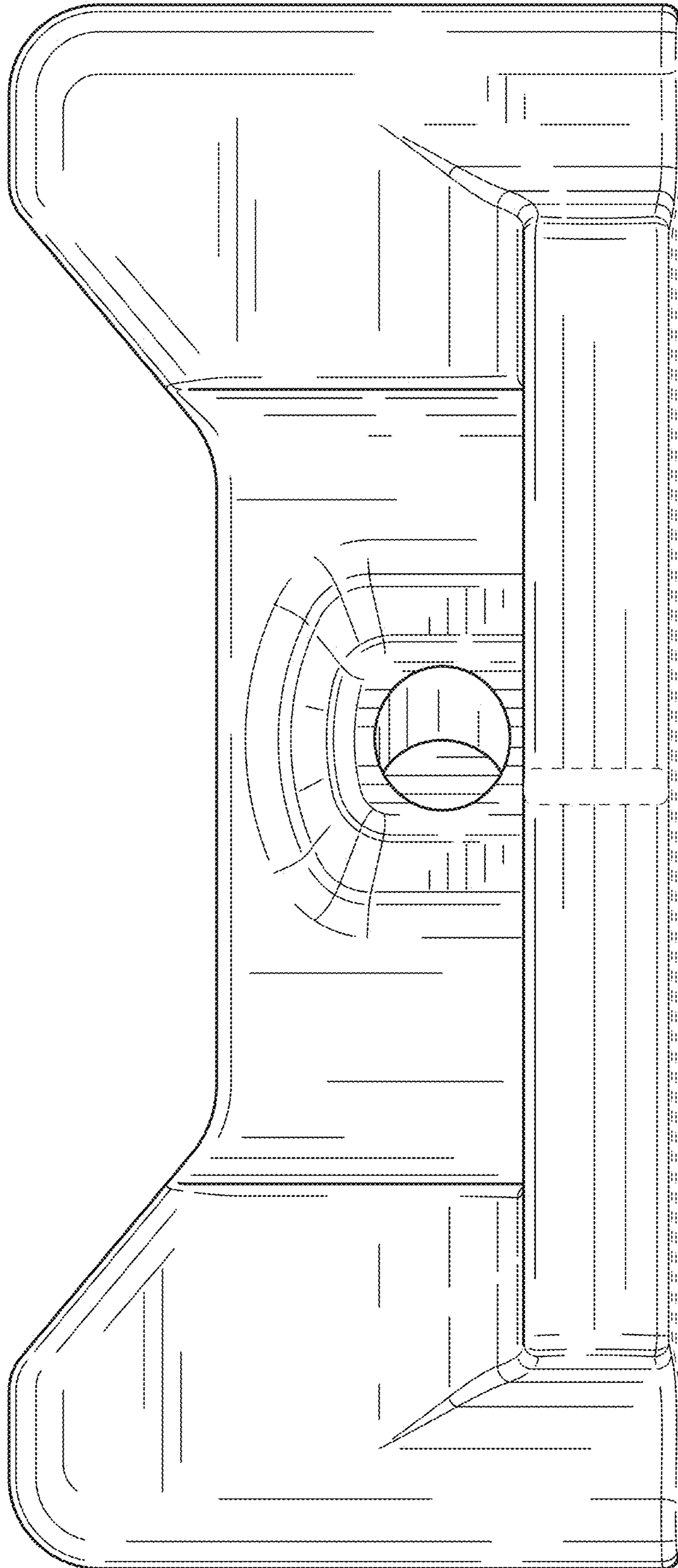


FIG. 5

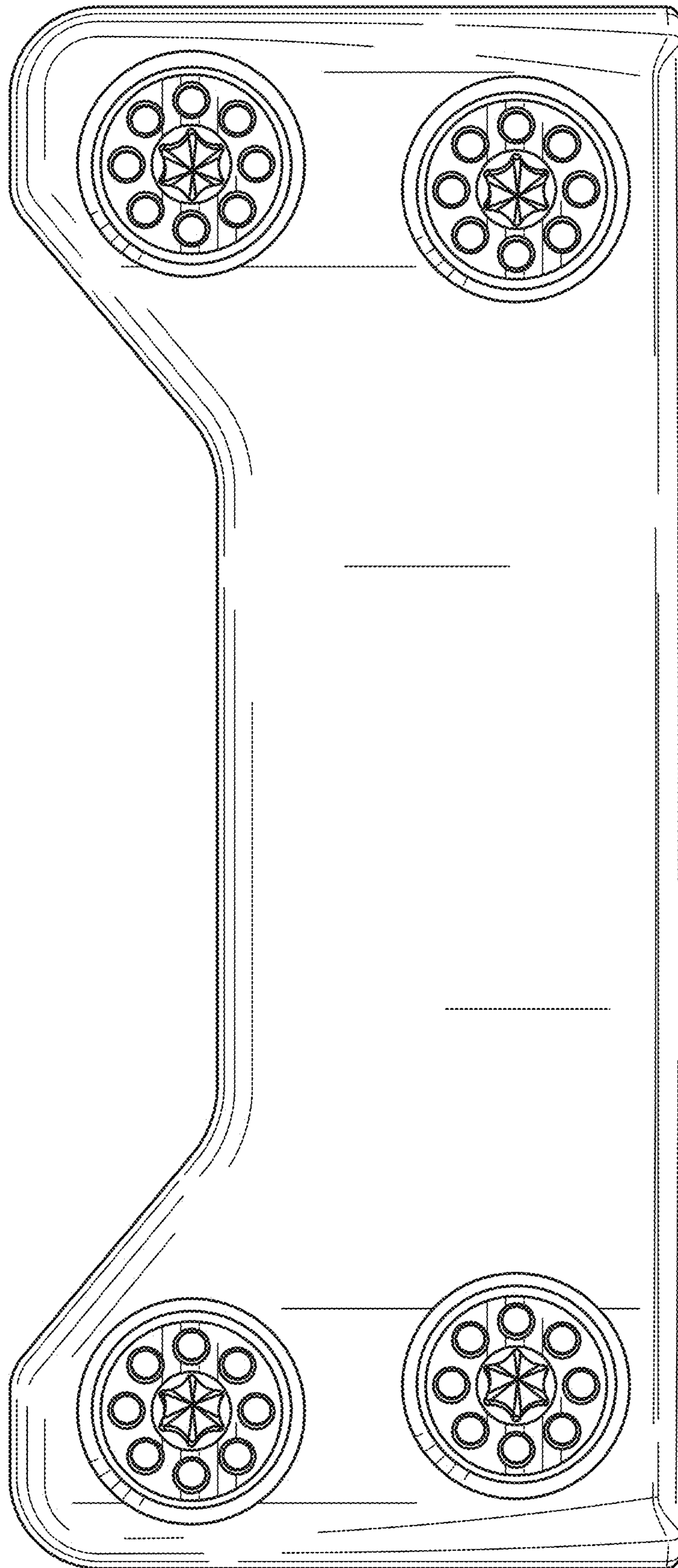


FIG. 6

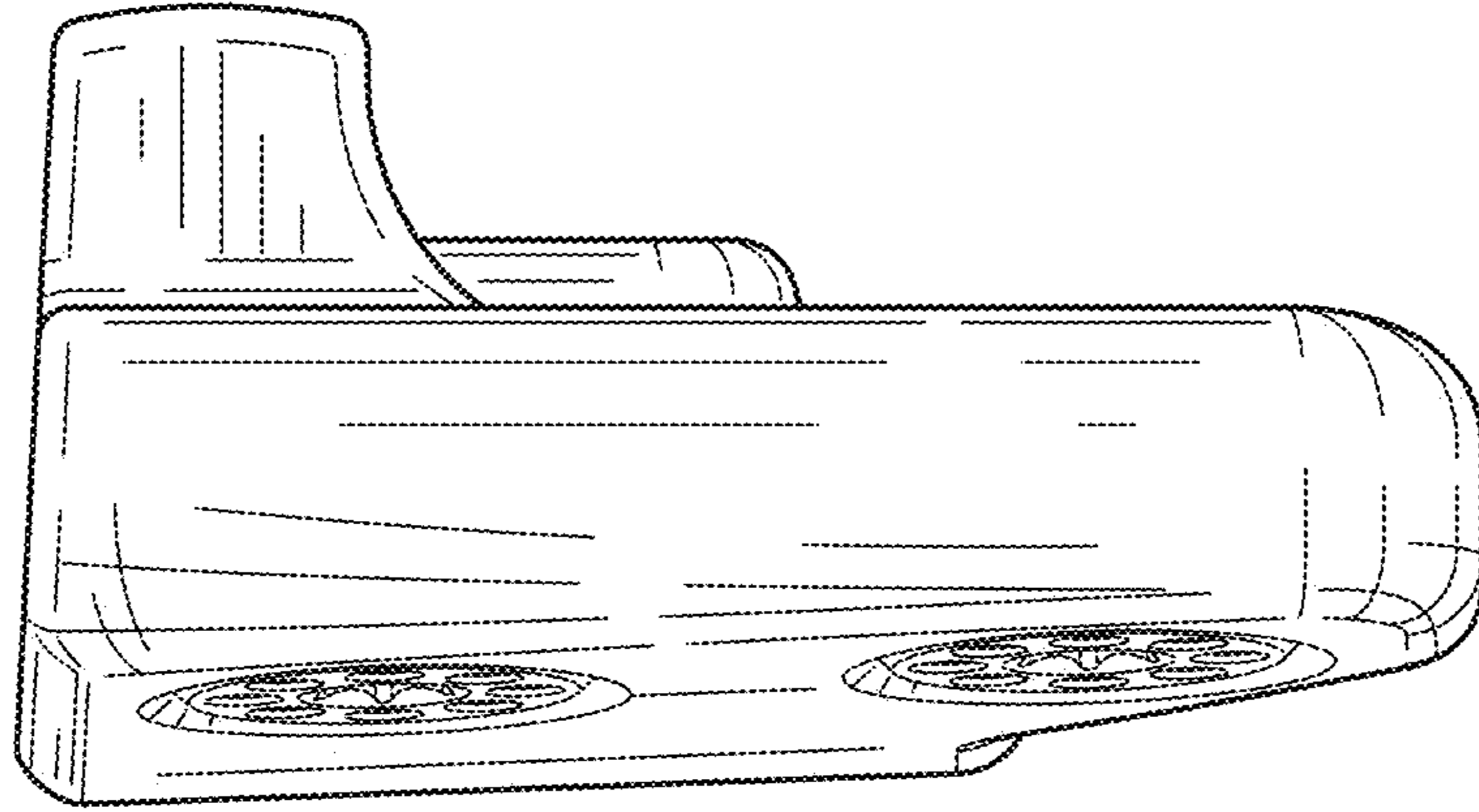


FIG. 7

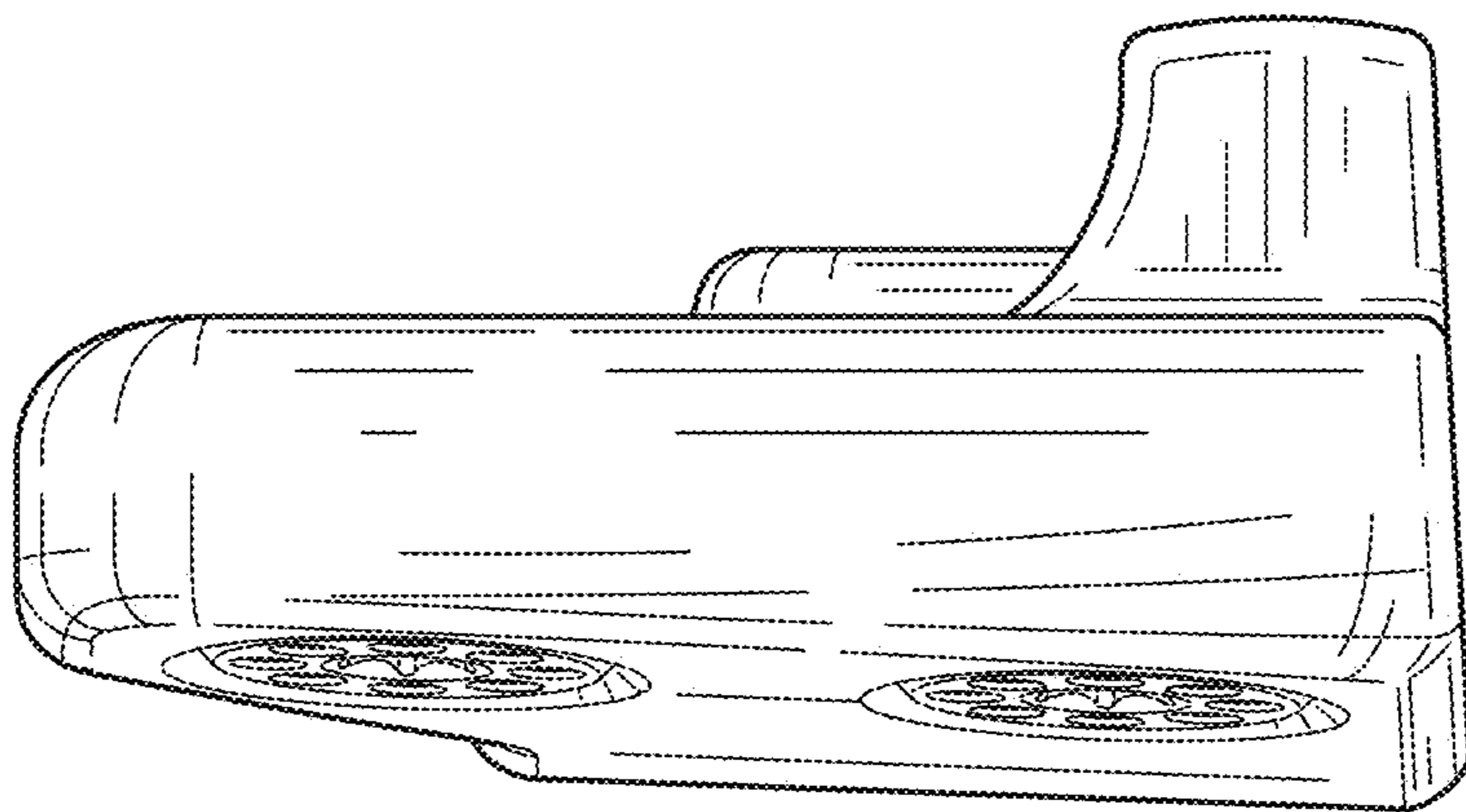


FIG. 8

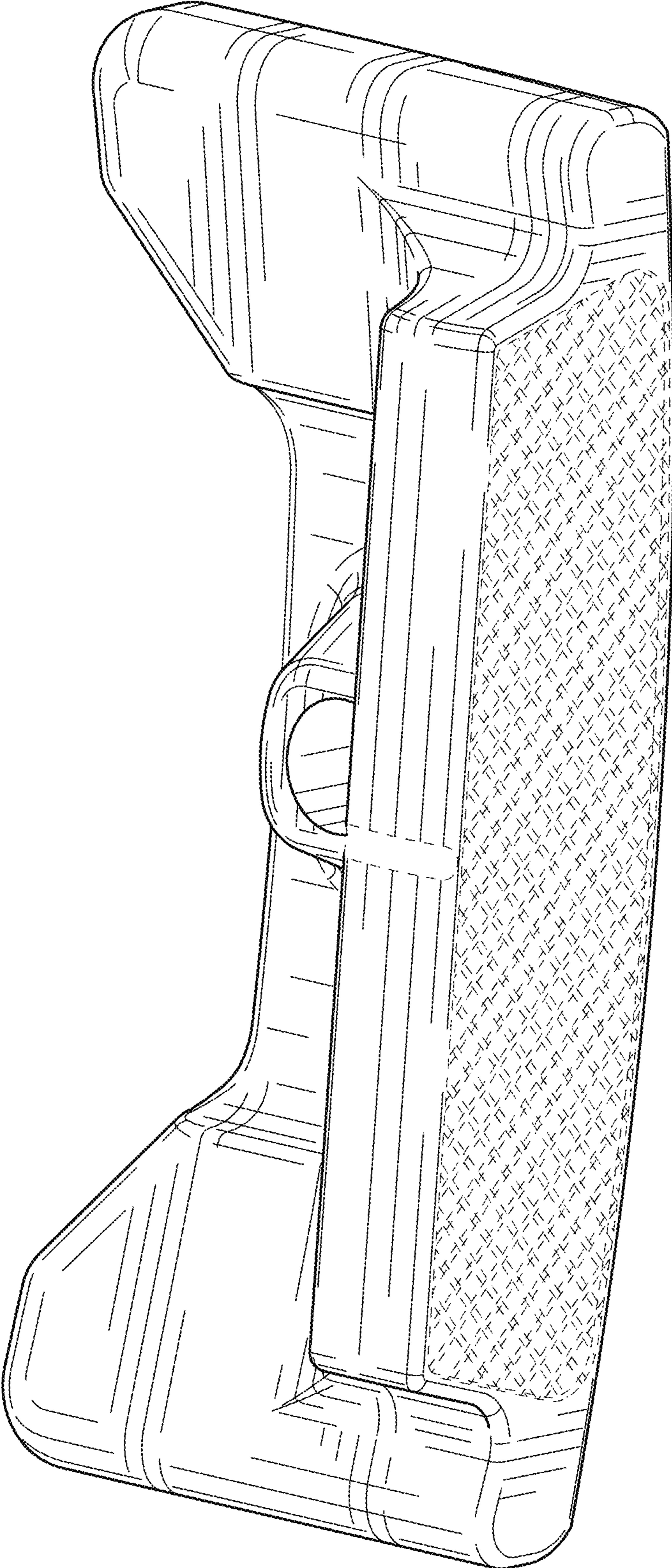


FIG. 9

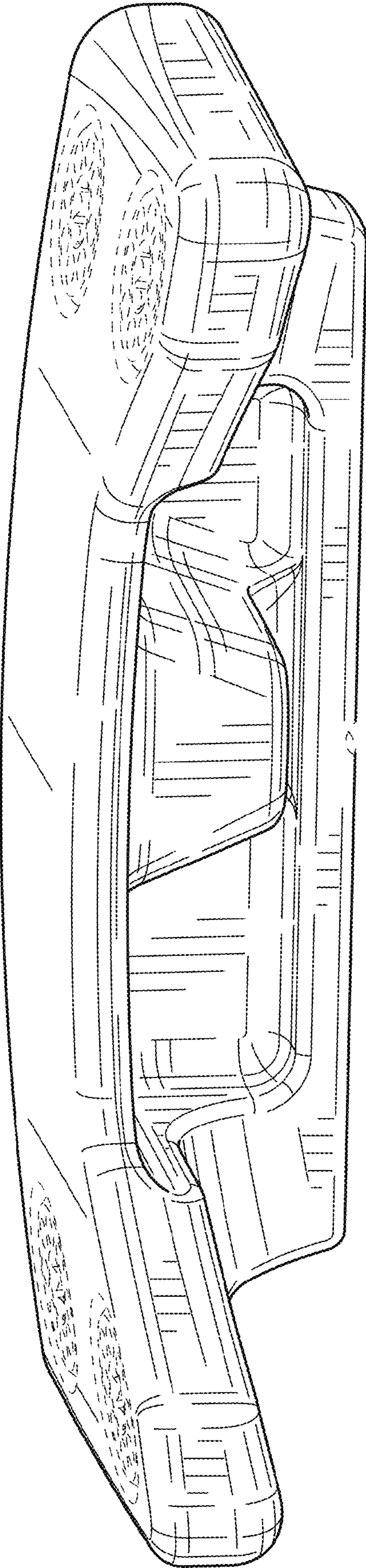


FIG. 10

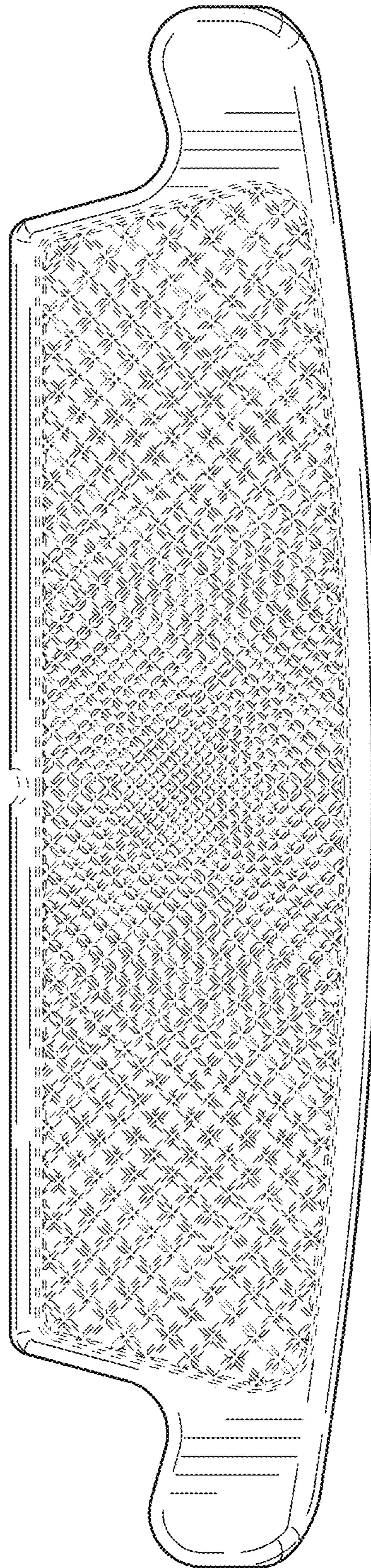


FIG. 11

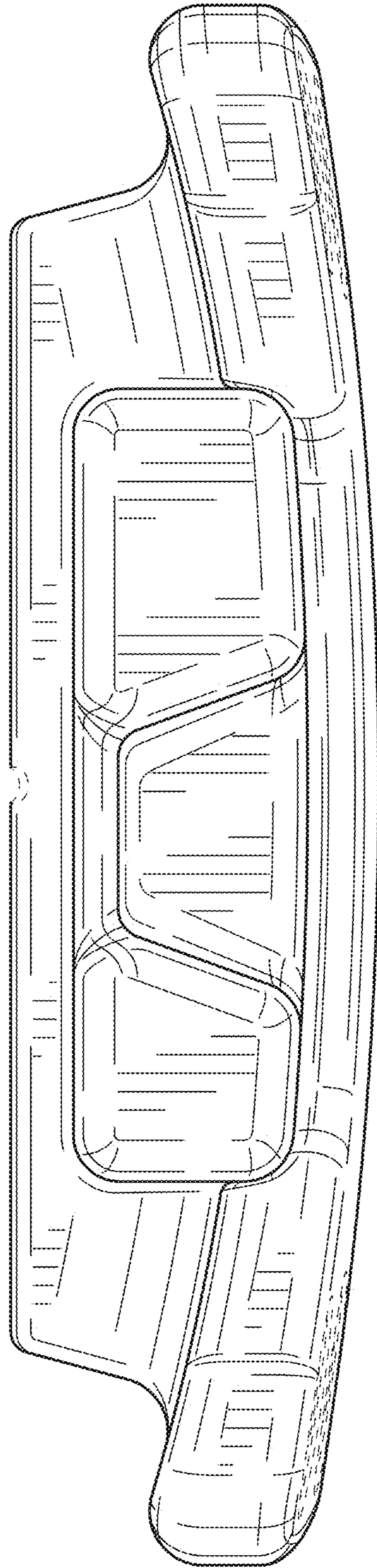


FIG. 12

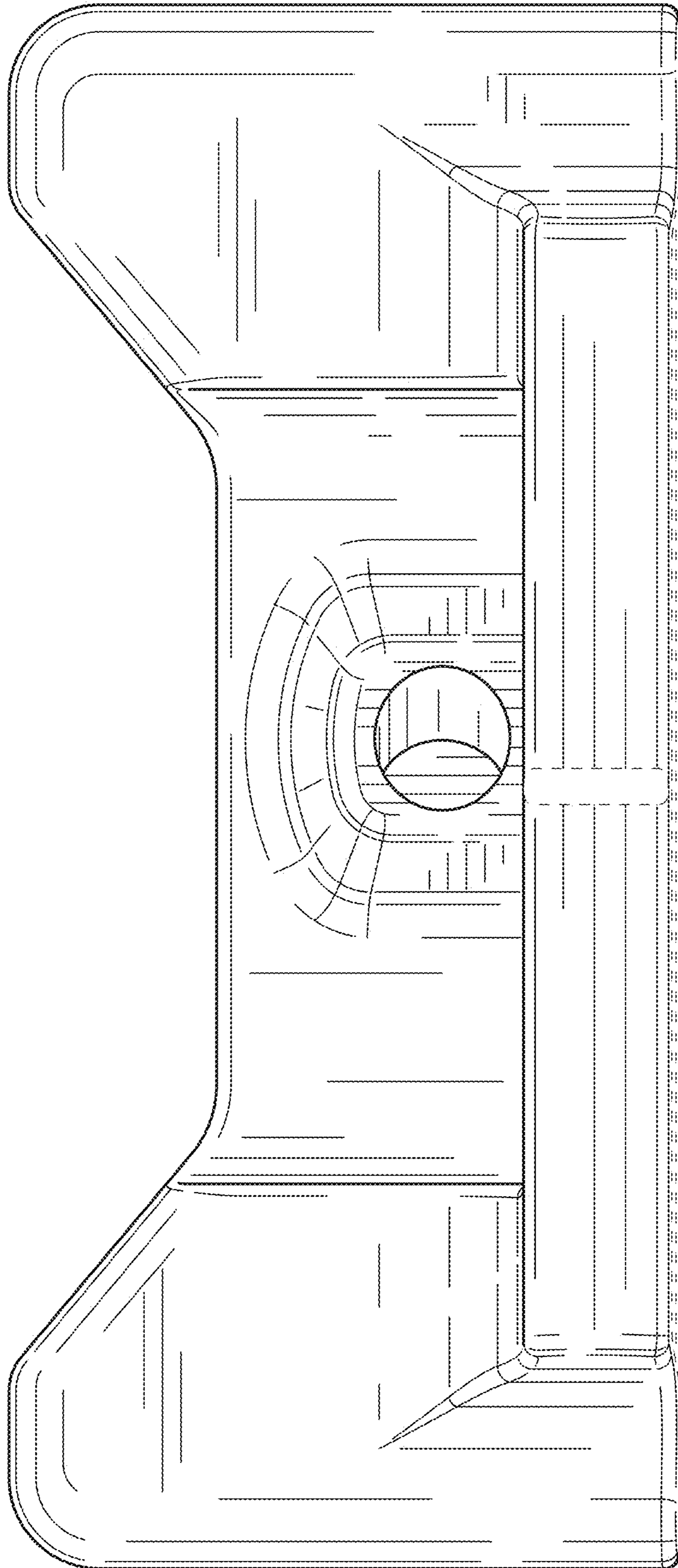


FIG. 13

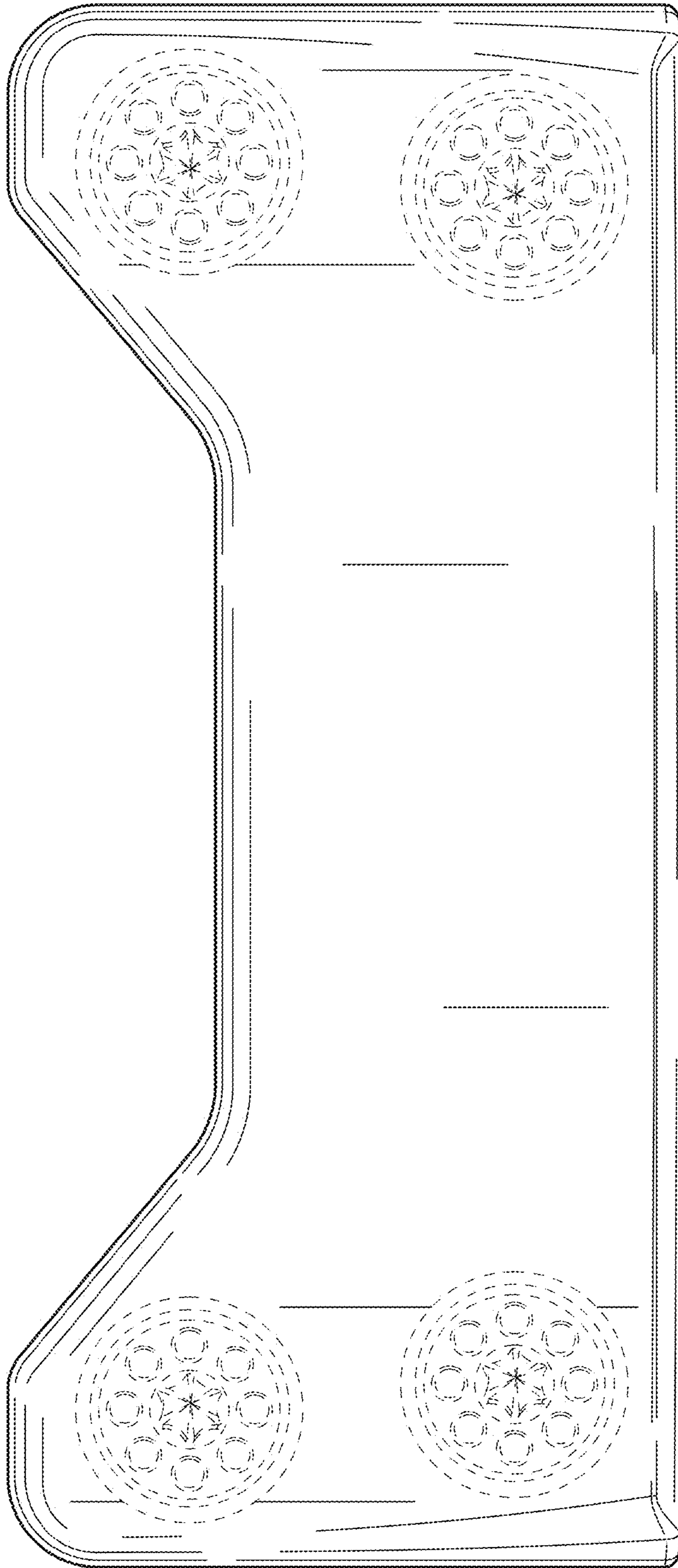


FIG. 14

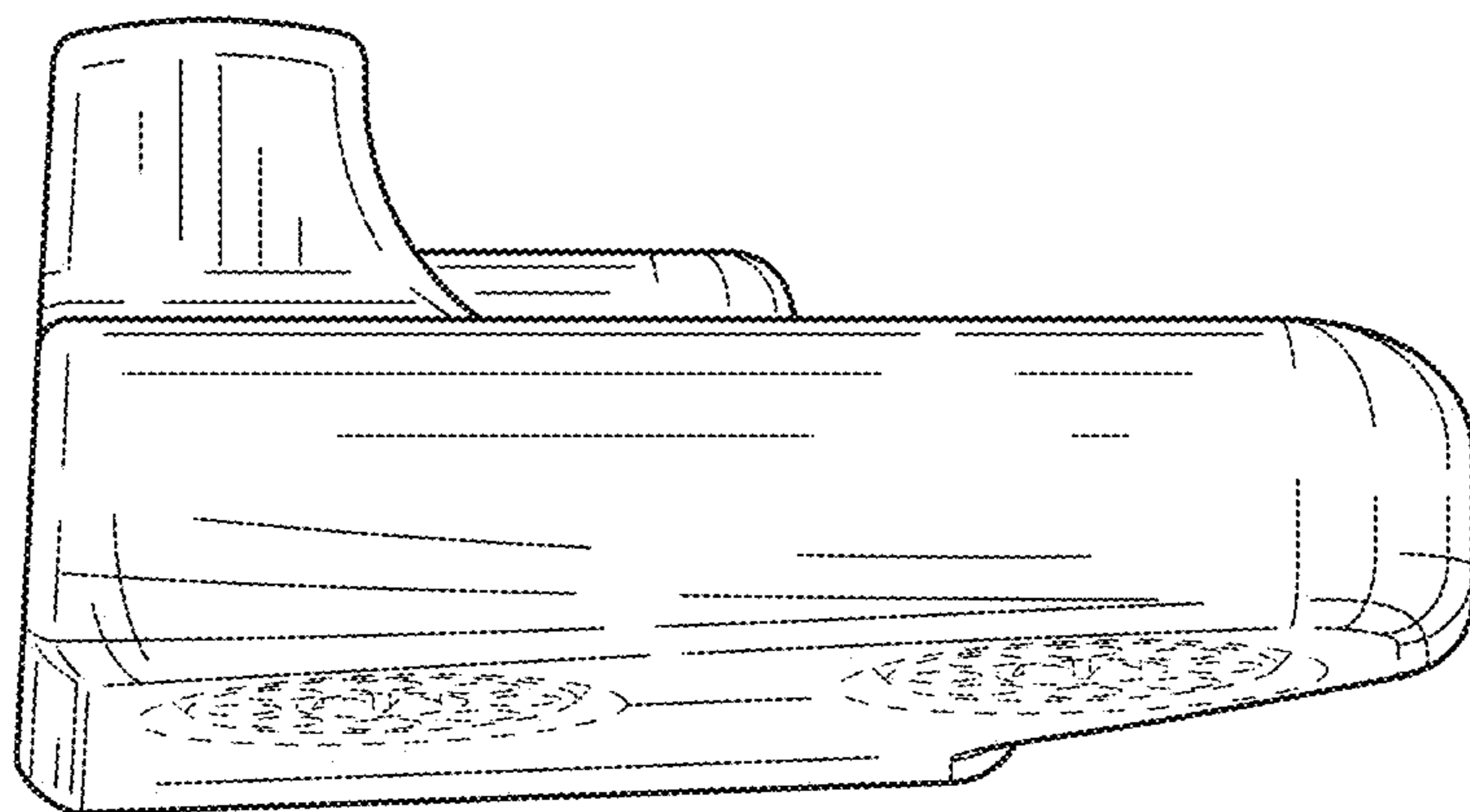


FIG. 15

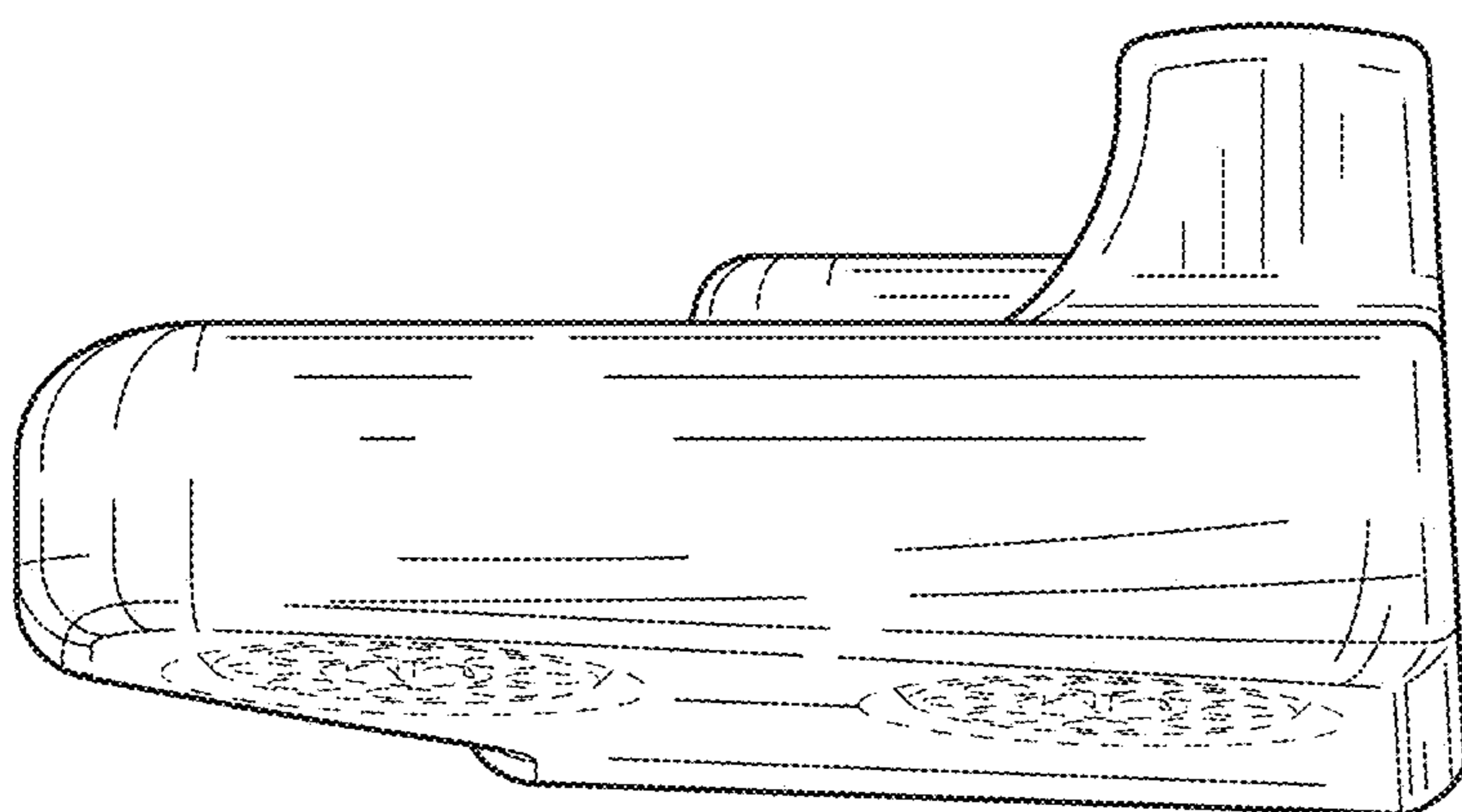


FIG. 16

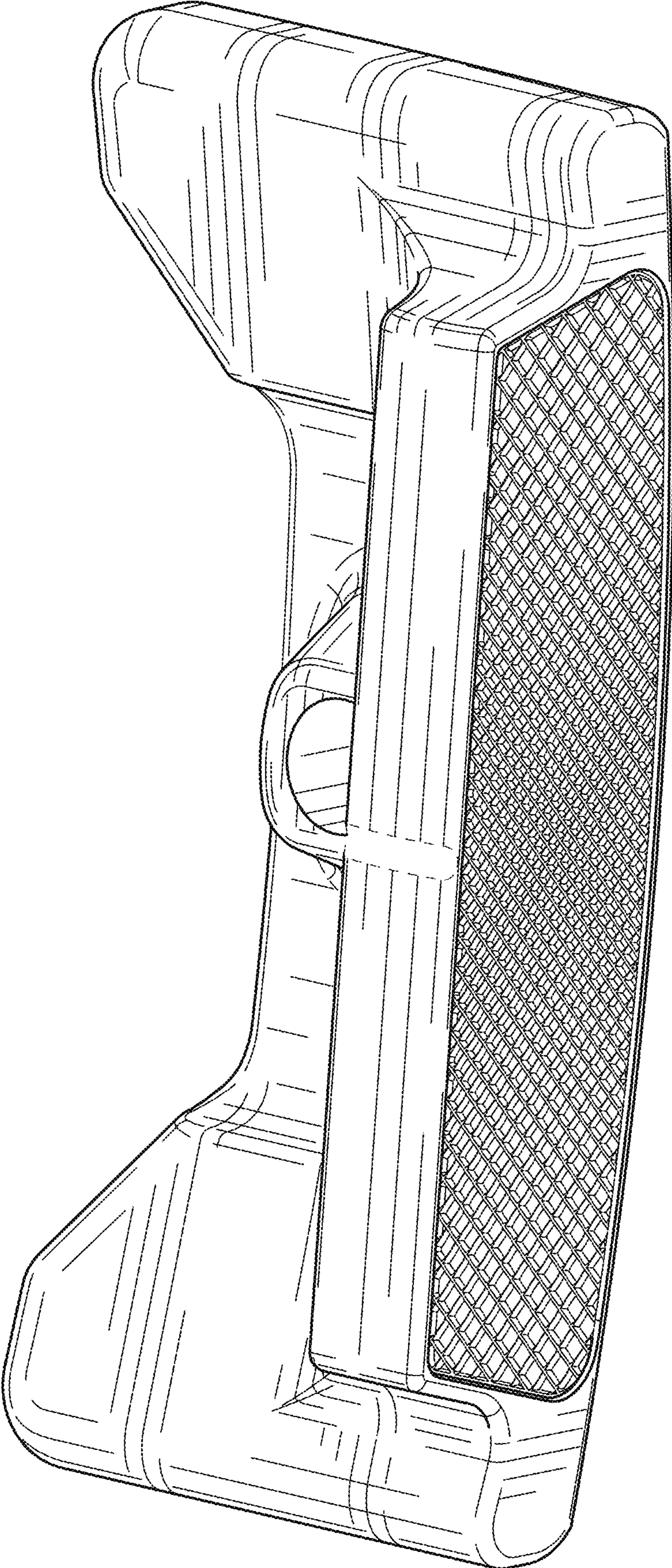


FIG. 17

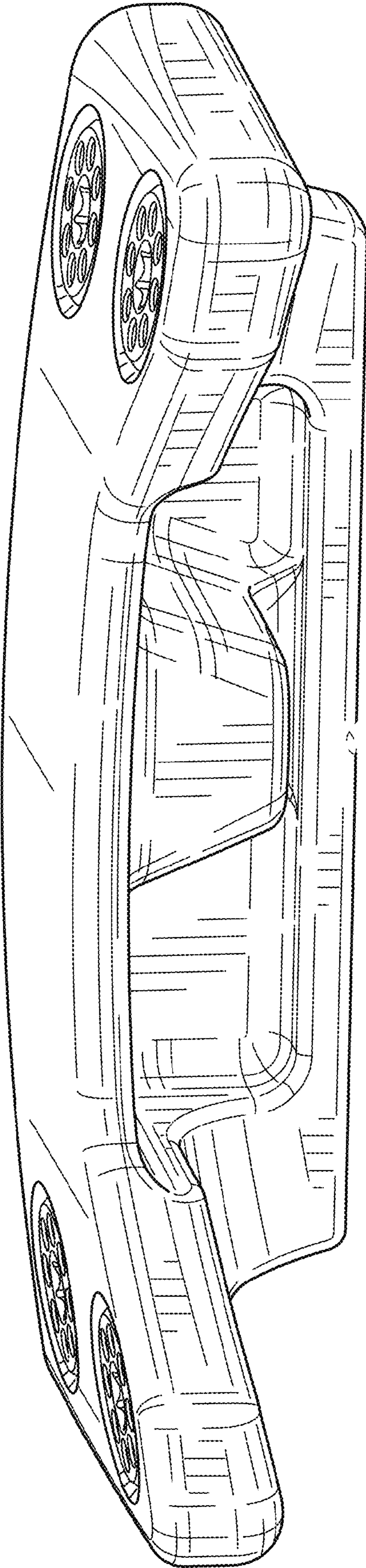


FIG. 18

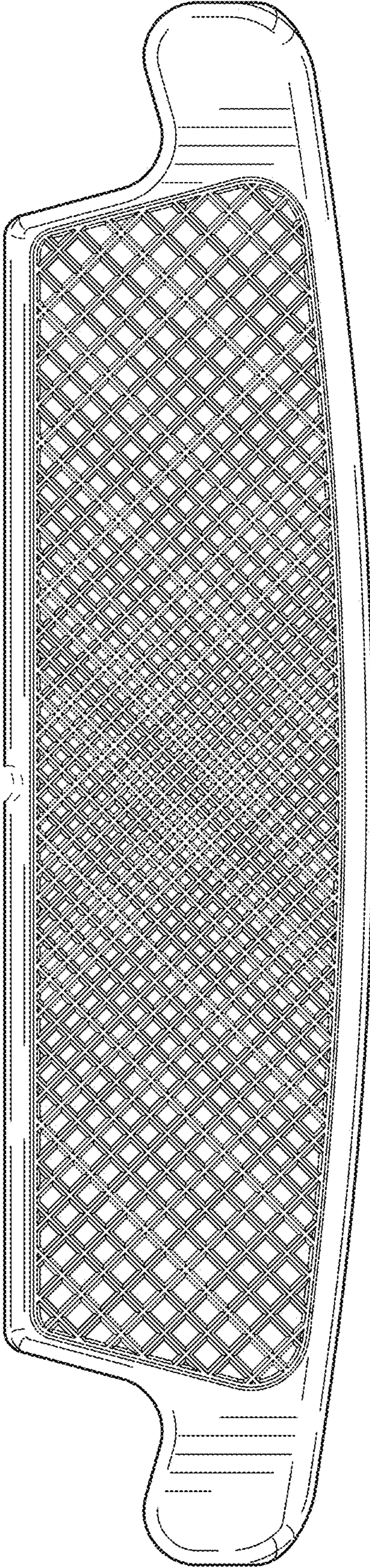


FIG. 19

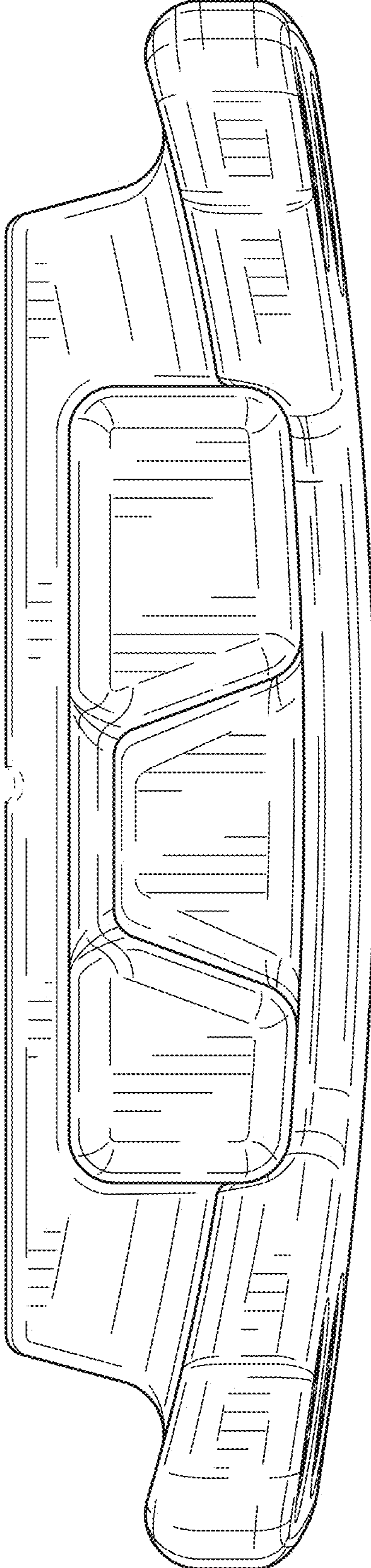


FIG. 20

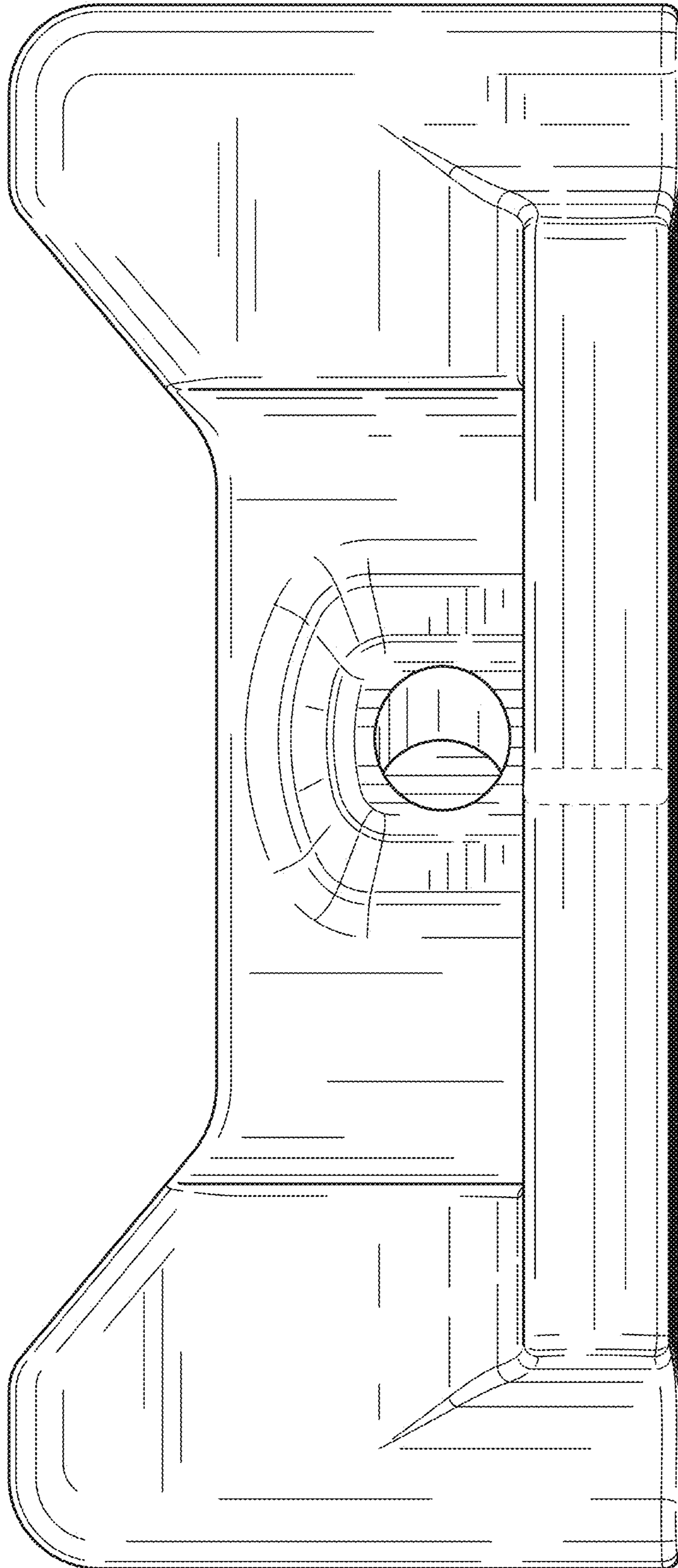


FIG. 21

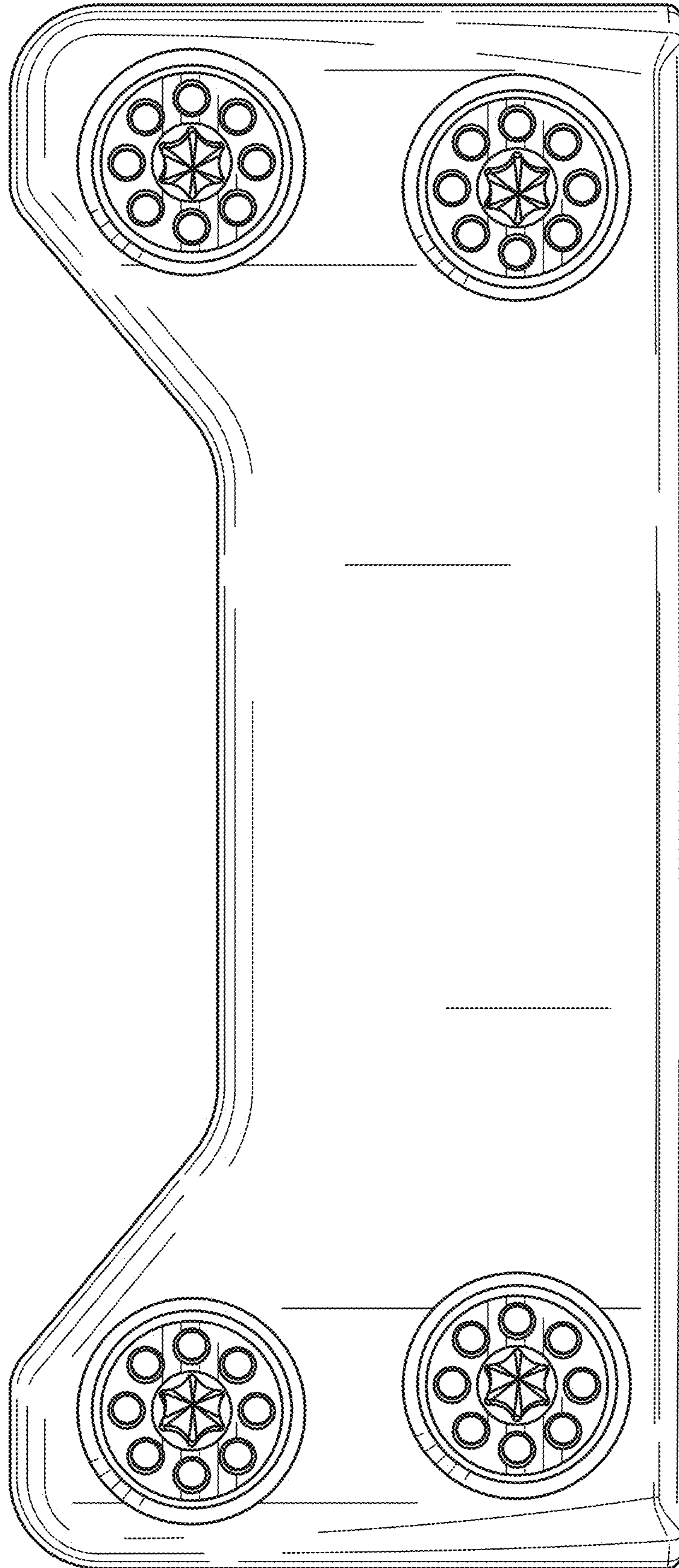


FIG. 22

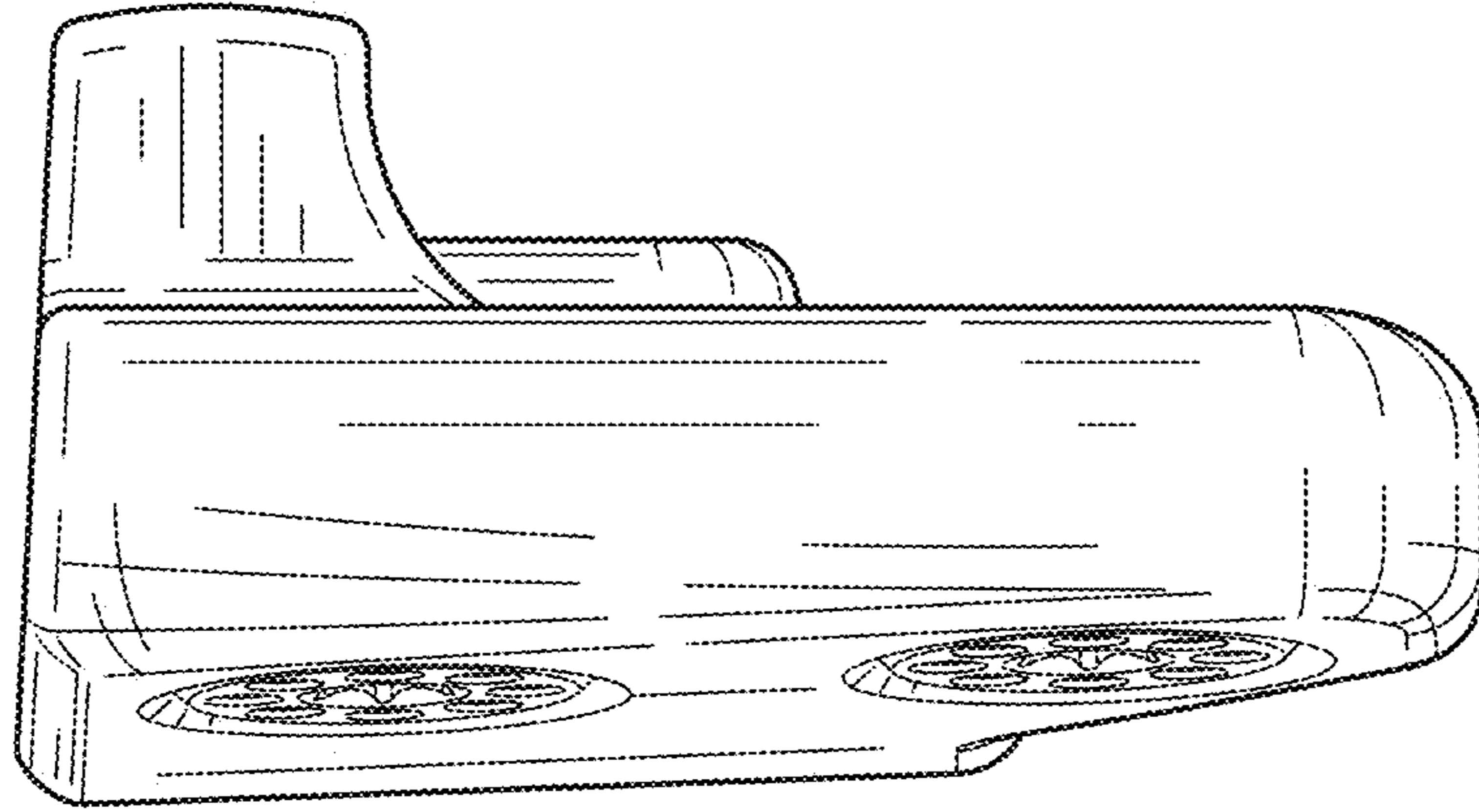


FIG. 23

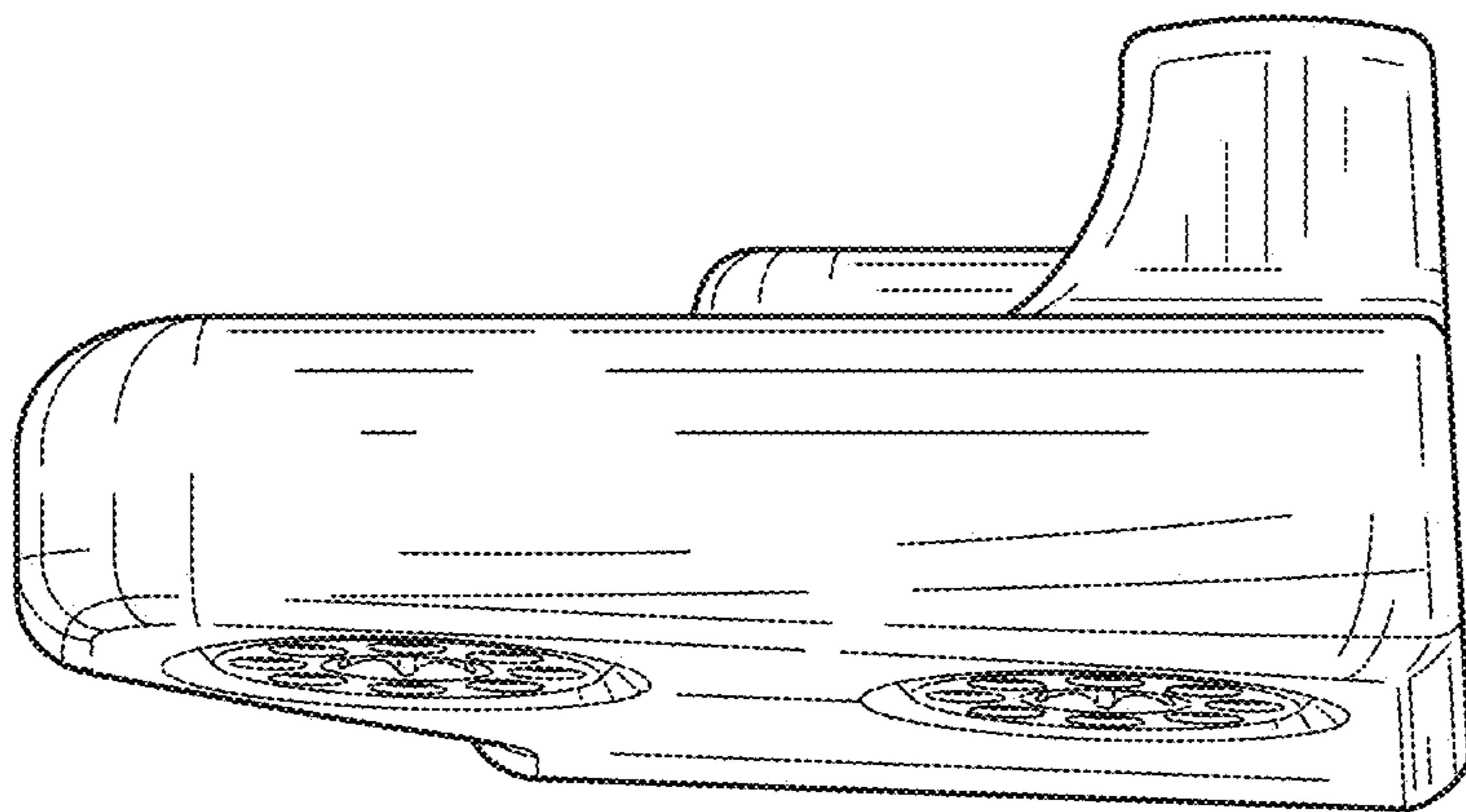


FIG. 24