



US00D872815S

(12) **United States Design Patent** (10) **Patent No.:** **US D872,815 S**
Parsons (45) **Date of Patent:** **** *Jan. 14, 2020**

- (54) **SHORT RANGE TARGET CAP** 3,920,246 A * 11/1975 Contreras A63B 57/40
273/127 R
- (71) Applicant: **Kevin Seamus Parsons**, Great Barrington, MA (US) 4,611,812 A 9/1986 Morrison
4,863,175 A * 9/1989 Ricks, Jr. A63B 63/08
273/342
- (72) Inventor: **Kevin Seamus Parsons**, Great Barrington, MA (US) 4,900,011 A 2/1990 Nolet
5,048,845 A 9/1991 Dunipace
D329,666 S * 9/1992 Dougherty D21/303
5,522,598 A 6/1996 Loyd
D391,332 S * 2/1998 Williams D21/720
- (*) Notice: This patent is subject to a terminal disclaimer. (Continued)

(**) Term: **15 Years**

FOREIGN PATENT DOCUMENTS

- (21) Appl. No.: **29/629,284**
- (22) Filed: **Dec. 12, 2017**
- (51) **LOC (12) Cl.** **21-02**
- (52) **U.S. Cl.**
USPC **D21/699**; D21/302
- (58) **Field of Classification Search**
USPC D21/301–303, 305, 698, 699–705, 790;
273/317.2, 348, 394, 396, 397, 398, 400,
273/401, 402, 406, 407; 473/172, 173,
473/197, 431–433, 476, 478, 479, 485,
473/487
CPC ... A63B 63/00; A63B 63/08; A63B 2063/001;
A63B 2063/002; A63B 67/00; A63B
67/06; A63B 67/002; A63B 67/02
See application file for complete search history.

- CA 3017977 A1 * 9/2017 A01K 15/025
- GB 1293468 A * 10/1972 A63B 63/00

Primary Examiner — Catherine A Tuttle
(74) *Attorney, Agent, or Firm* — Hill Wallack LLP; Jason L DeFrancesco

(57) **CLAIM**

The ornamental design for a short range target cap, as shown and described.

DESCRIPTION

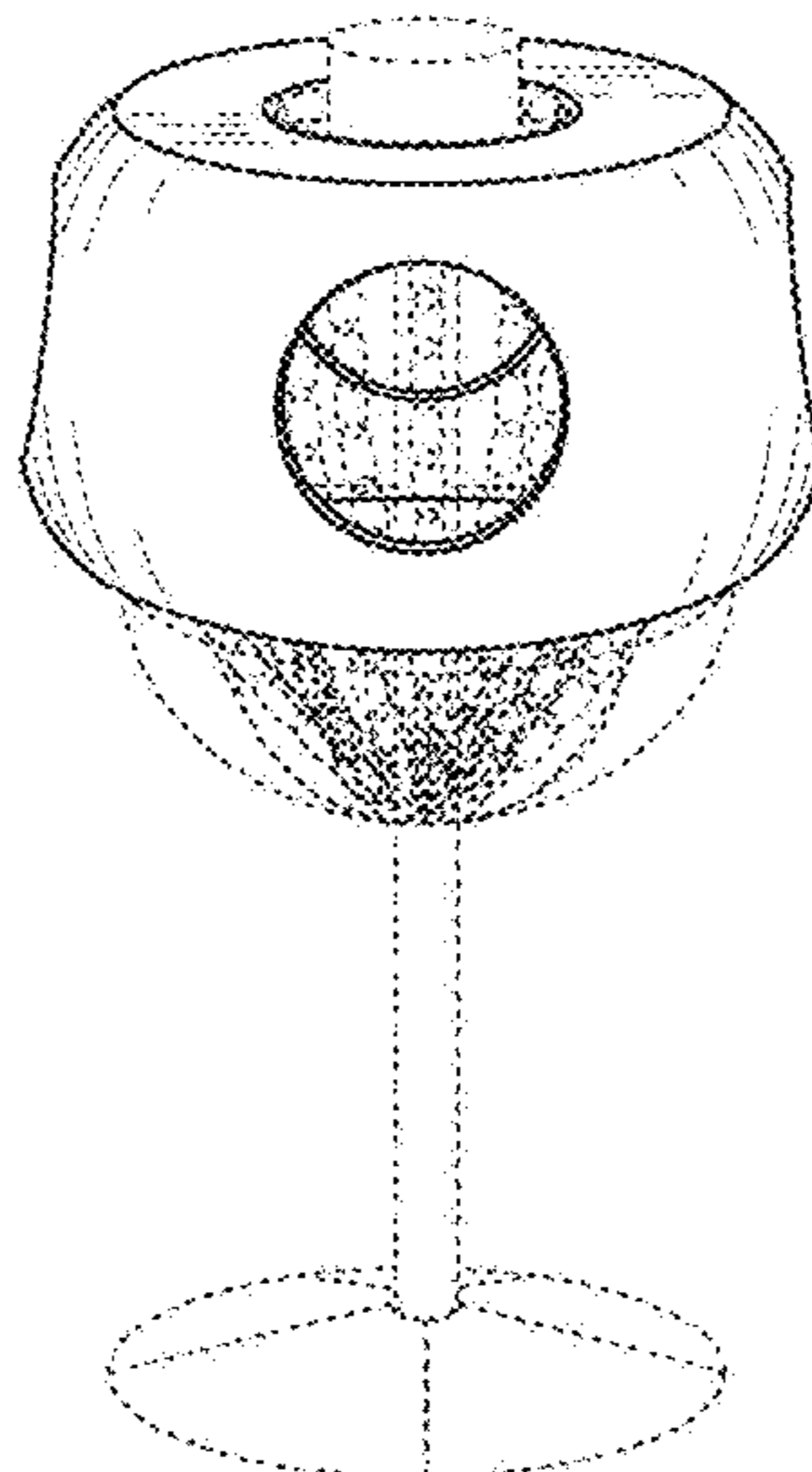
FIG. 1 is a top perspective view of the short range target cap showing my new design together with broken lines representing its environment;
FIG. 2 is a top perspective view similar to FIG. 1 but without the environmental structures;
FIG. 3 is a bottom perspective view thereof;
FIG. 4 is a front elevational view thereof, whereby the opposing rear elevation view is a mirror image;
FIG. 5 is a side elevational view thereof, whereby the opposing side view is a mirror image;
FIG. 6 is a top plan view thereof; and,
FIG. 7 is a bottom plan view thereof.
The broken lines showing the environmental structure in FIG. 1 and portions of the short range target cap in FIGS. 1-3, 6 and 7 are for illustrative purposes only and form no part of the claimed design.

(56) **References Cited**

U.S. PATENT DOCUMENTS

- 1,169,966 A 2/1916 Kenstowicz
- 2,126,873 A 8/1938 Czajkowski
- 2,194,779 A 3/1940 Frank
- 2,545,615 A 3/1951 Hatley
- 3,350,097 A * 10/1967 Chevrette A63B 63/08
273/350
- 3,586,323 A * 6/1971 Carter A63B 67/007
273/440
- 3,913,916 A * 10/1975 Martin, Jr. A63B 69/0071
473/479

1 Claim, 4 Drawing Sheets



(56)

References Cited

U.S. PATENT DOCUMENTS

5,836,837	A	11/1998	Craig	
6,250,635	B1 *	6/2001	Chittenden A63B 67/06 273/400
6,494,455	B1	12/2002	Headrick	
D489,769	S *	5/2004	Holgate D21/302
6,843,478	B1 *	1/2005	Hoepelman A63B 63/00 273/342
7,311,617	B2 *	12/2007	Langhorn A63B 63/00 473/446
7,448,968	B1 *	11/2008	Petion A63B 63/00 473/422
D621,457	S *	8/2010	Lee D21/720
D768,794	S	10/2016	Fiske	
D793,498	S	8/2017	Manus	
2003/0190981	A1	10/2003	Walker, Jr.	
2004/0204269	A1 *	10/2004	Miro A63B 67/002 473/415
2009/0005196	A1	1/2009	Kessler	
2009/0017943	A1	1/2009	Landry	
2016/0158637	A1 *	6/2016	Saddler A63F 3/0423 273/272
2016/0206946	A1 *	7/2016	Lee A63B 69/3661
2017/0361187	A1 *	12/2017	Reitmeyer A63B 67/06
2018/0178099	A1 *	6/2018	Parsons A63B 71/022

* cited by examiner

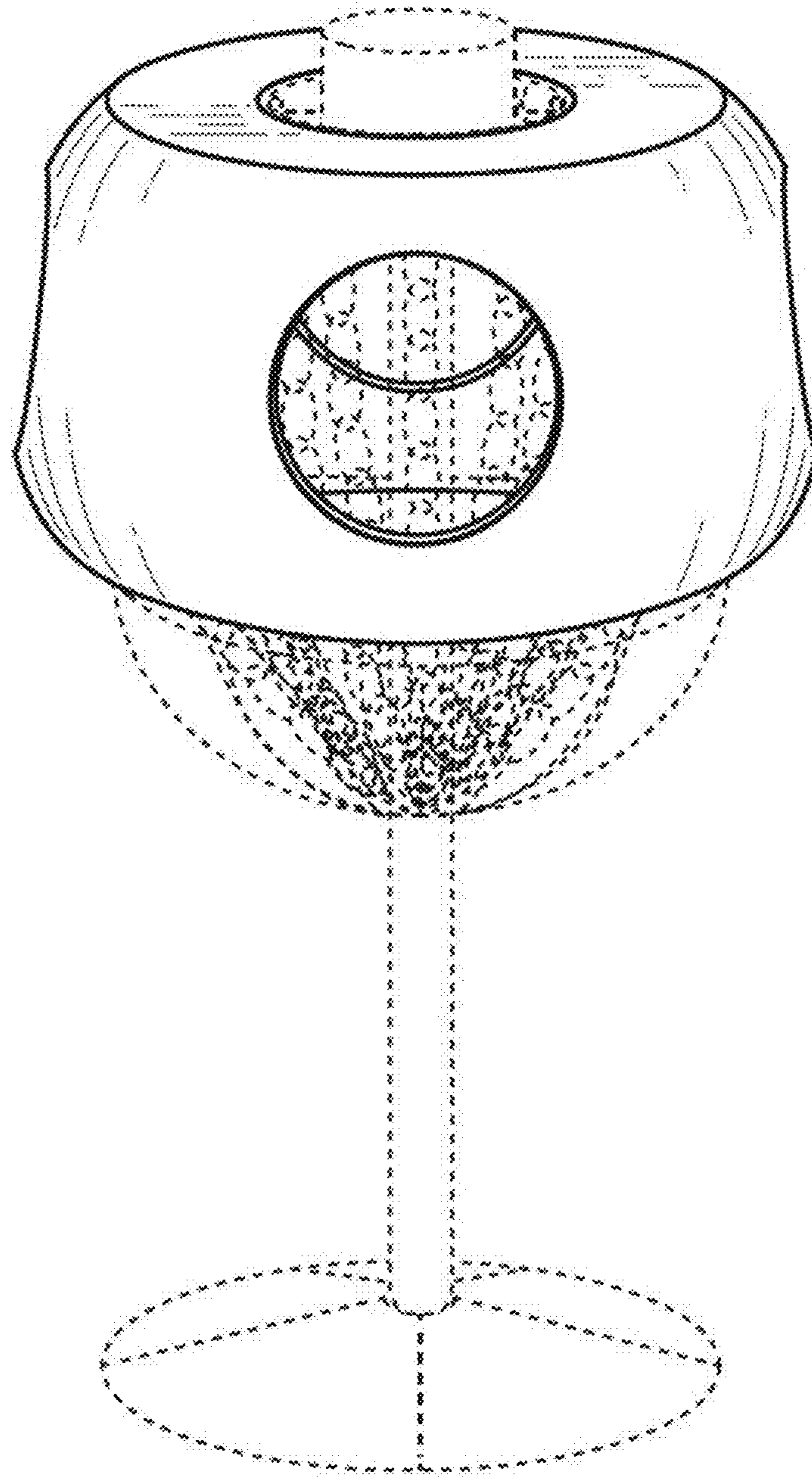


FIG. 1

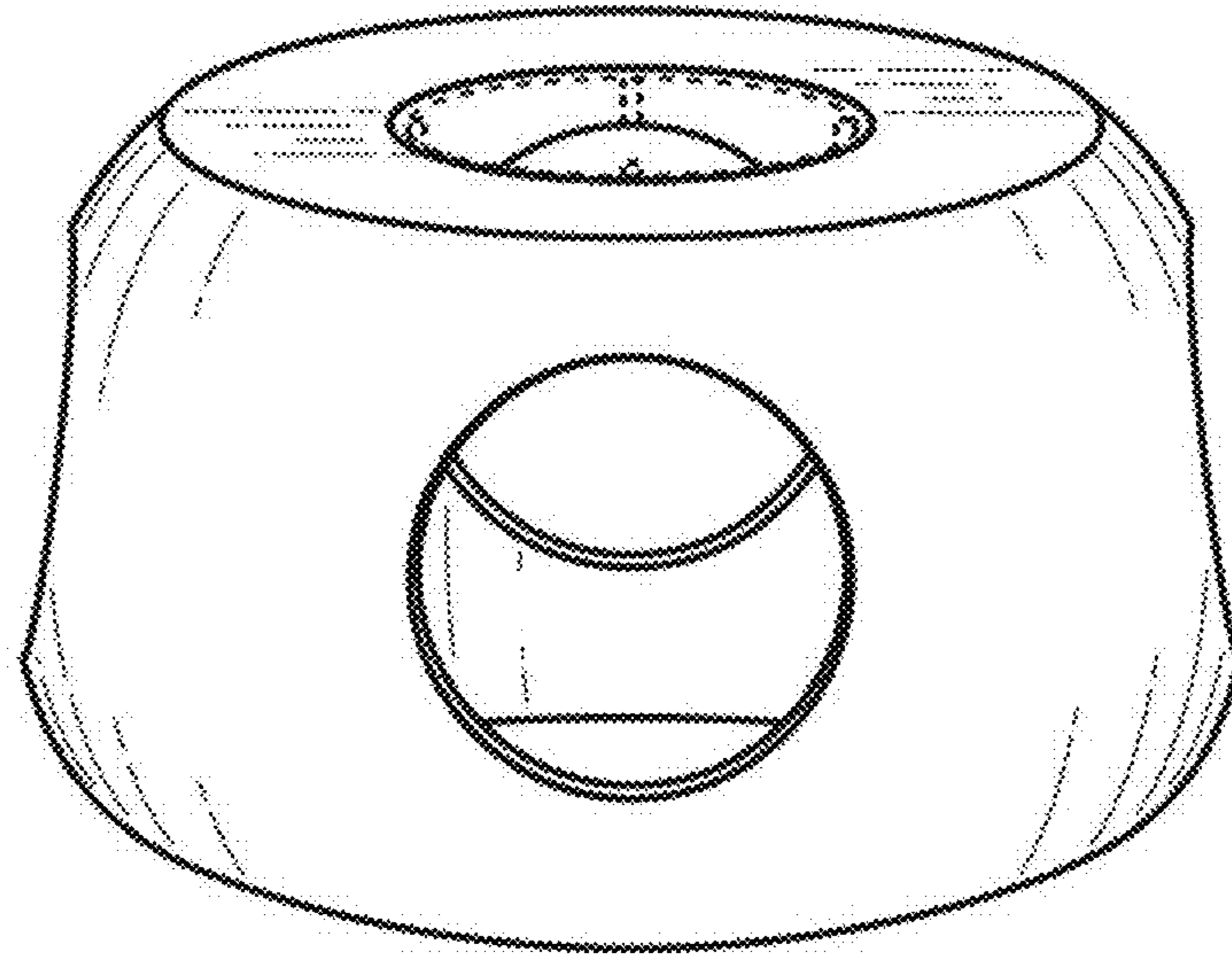


FIG. 2

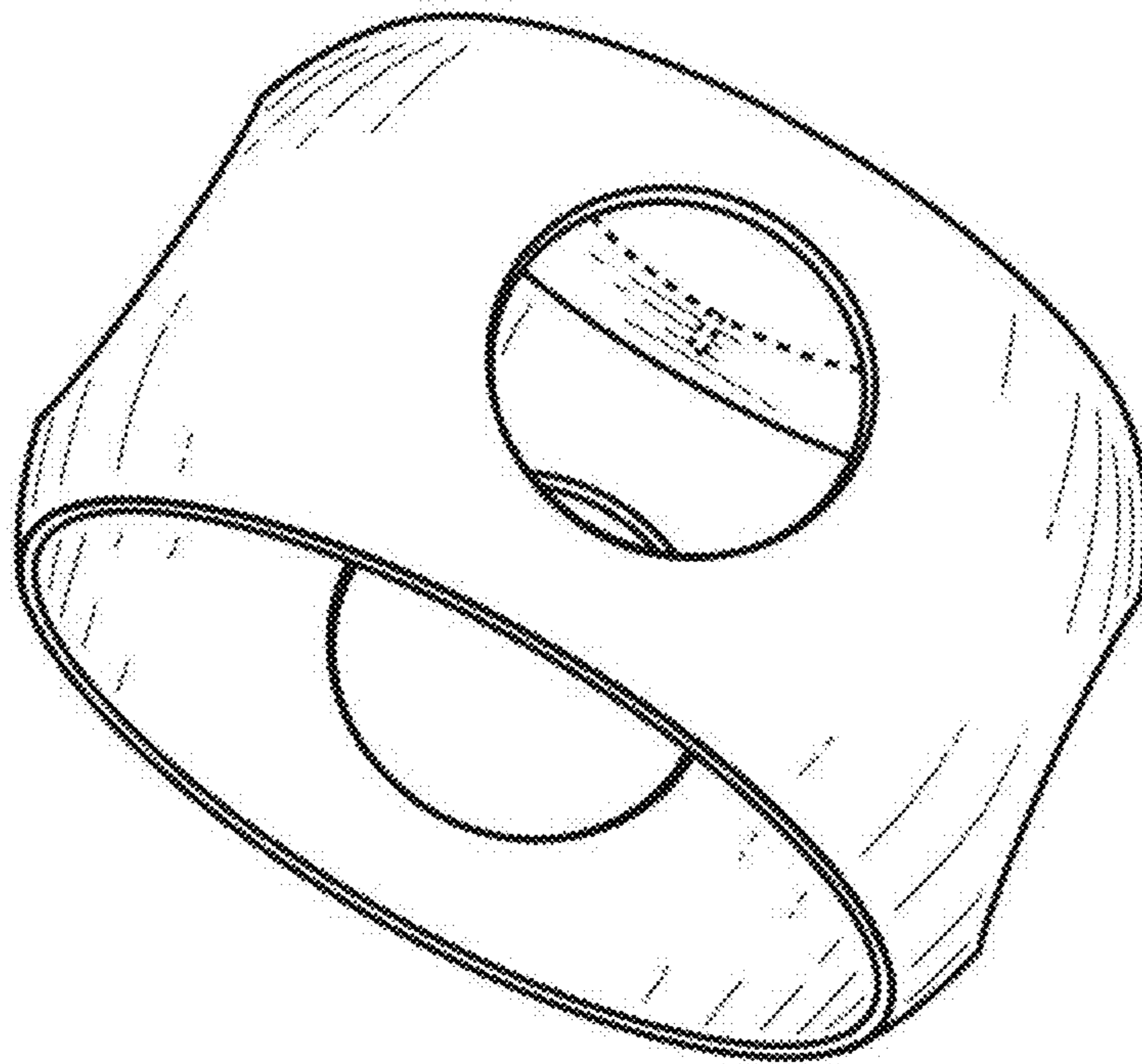


FIG. 3

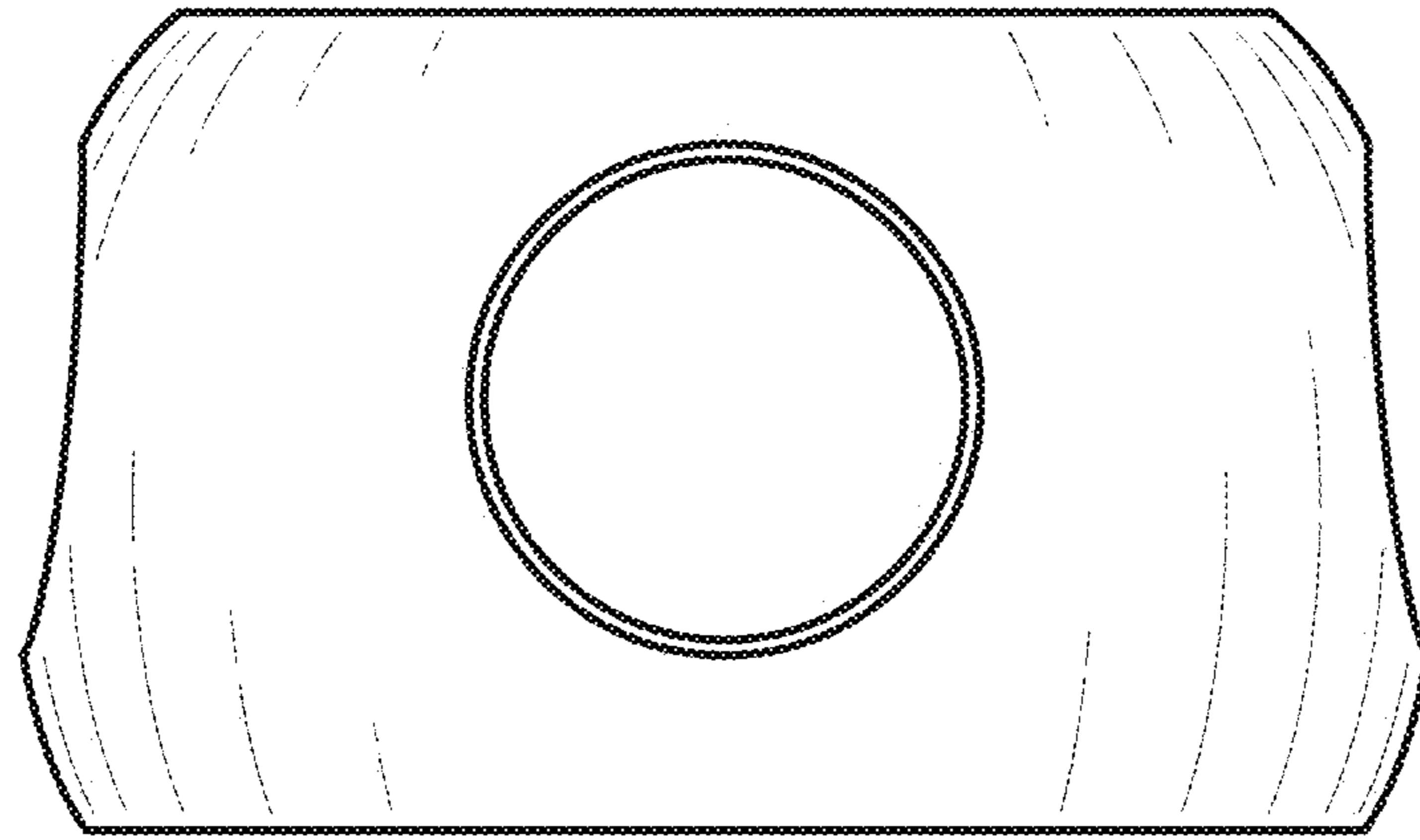


FIG. 4

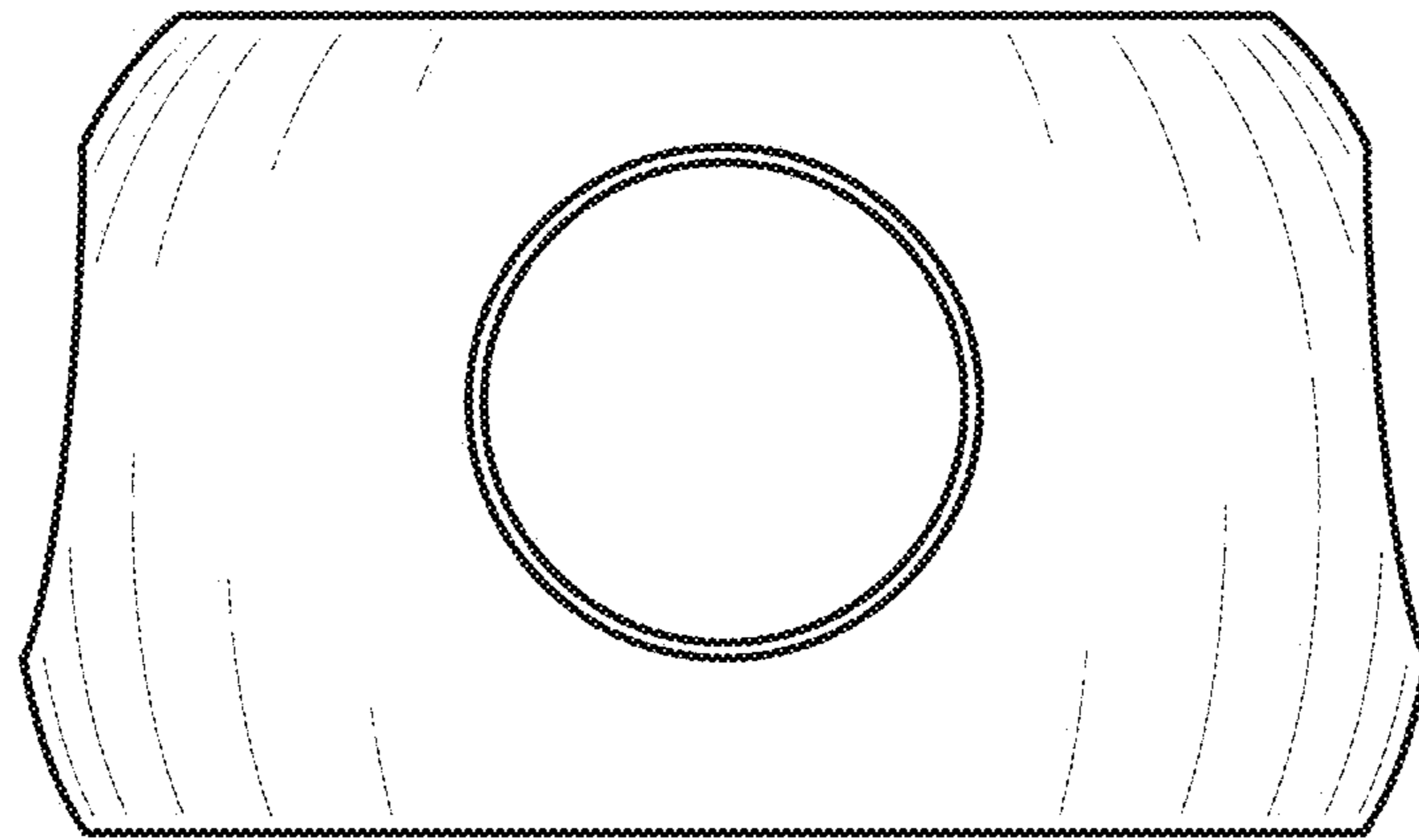


FIG. 5

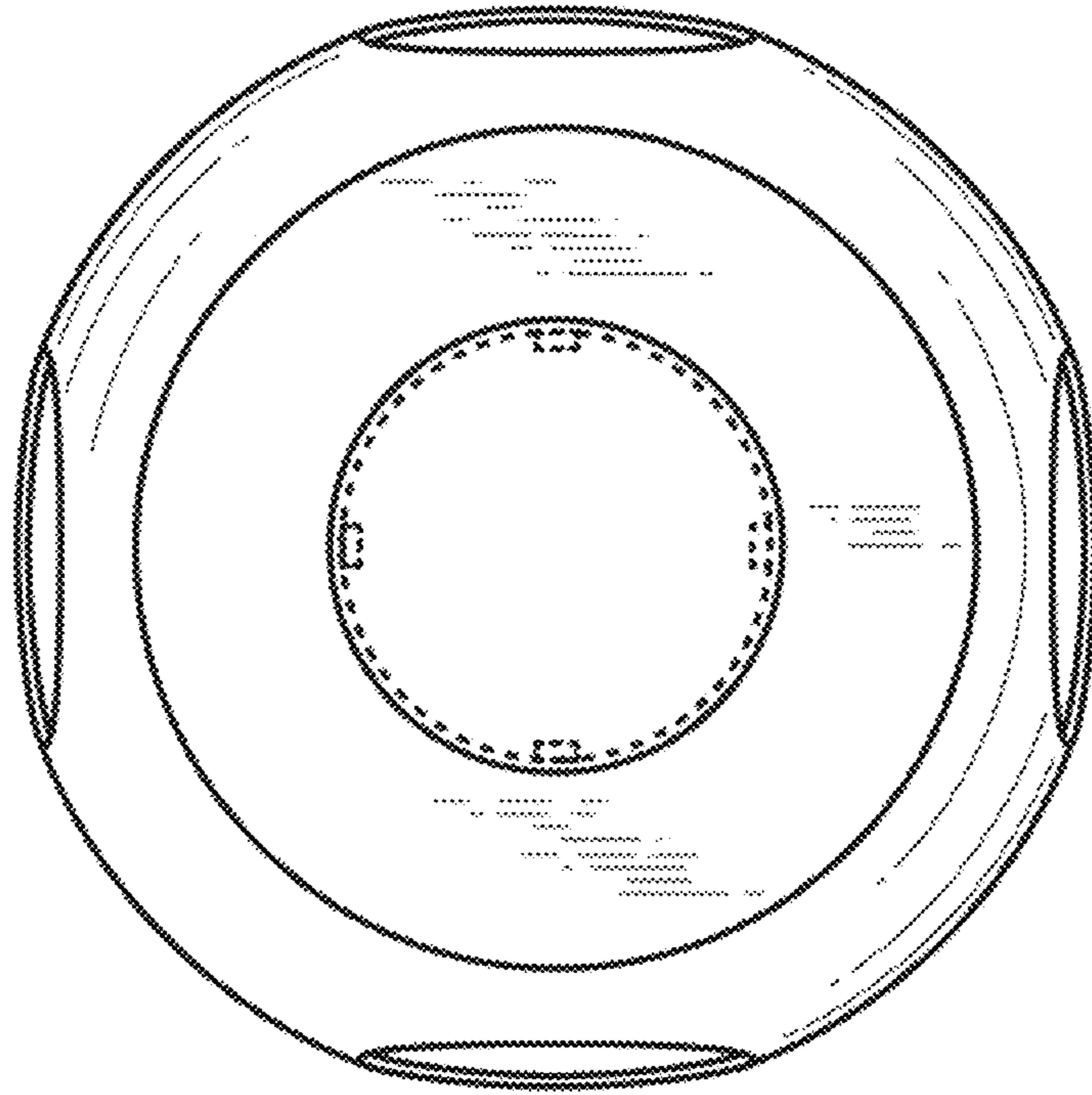


FIG. 6

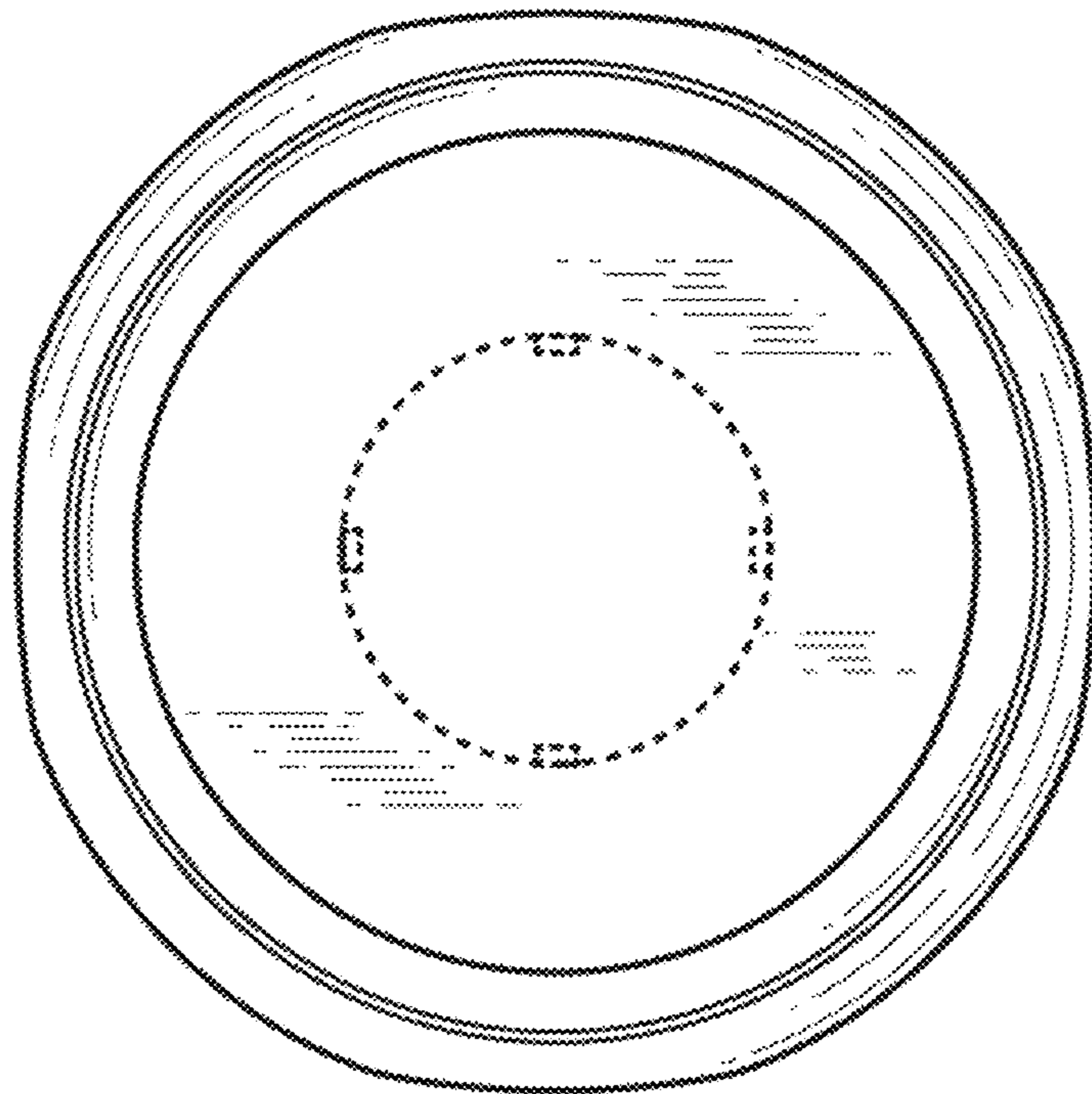


FIG. 7