

US00D872812S

(12) **United States Design Patent**  
**Chen**

(10) **Patent No.:** **US D872,812 S**

(45) **Date of Patent:** **\*\* Jan. 14, 2020**

- (54) **TOY TRUCK**
- (71) Applicant: **Bo Chen**, Guangdong (CN)
- (72) Inventor: **Bo Chen**, Guangdong (CN)
- (73) Assignee: **Shantou P&C Plastic Products Company Limited**, Guangdong (CN)
- (\*\*) Term: **15 Years**
- (21) Appl. No.: **29/666,364**
- (22) Filed: **Oct. 12, 2018**

D281,987 S *	12/1985	Catelli	.....	D21/552
D312,488 S *	11/1990	Kwan	.....	D21/551
5,372,534 A *	12/1994	Levy	.....	A63H 17/26 180/209
D421,073 S *	2/2000	Wei	.....	15/25
D425,142 S *	5/2000	Wei	.....	D21/552
D443,318 S *	6/2001	Tse	.....	D21/559
D454,602 S *	3/2002	Tse	.....	D21/552
D721,769 S *	1/2015	Johnson	.....	D21/552
D771,202 S *	11/2016	Gan	.....	D21/552
D771,203 S *	11/2016	Gan	.....	D21/552
D827,038 S *	8/2018	Exley	.....	D21/434
D840,477 S *	2/2019	Flores	.....	D21/548
D852,900 S *	7/2019	Zhou	.....	D21/552
2014/0170932 A1 *	6/2014	Lee	.....	A63H 17/26 446/409

(30) **Foreign Application Priority Data**

Jul. 17, 2018 (CN) ..... 2018 3 0384632

(51) **LOC (12) Cl.** ..... **21-01**

(52) **U.S. Cl.**  
USPC ..... **D21/552; D12/83**

(58) **Field of Classification Search**  
USPC ..... D12/86, 88, 90-92, 164, 173, 184-186,  
D12/190, 196; D21/419, 421, 423-426,  
D21/433-434, 548, 549, 550, 552, 559,  
D21/561

CPC .... A63H 17/26; A63H 17/262; A63H 17/264;  
A63H 17/266; A63H 17/36; A63H 17/38;  
A63H 29/00; A63H 29/22; A63H 29/24;  
A63H 30/04

See application file for complete search history.

(56) **References Cited**

**U.S. PATENT DOCUMENTS**

D262,391 S *	12/1981	Kanaoki	.....	D21/450
D274,632 S *	7/1984	Terui	.....	D21/559
D281,000 S *	10/1985	Kuna	.....	D21/559

\* cited by examiner

*Primary Examiner* — Manpreet S Matharu

*Assistant Examiner* — Keith J Wilson

(74) *Attorney, Agent, or Firm* — Minder Law Group;  
Willy H. Wong

(57) **CLAIM**

The ornamental design for a toy truck, as shown and described.

**DESCRIPTION**

FIG. 1 is a front view of a toy truck in accordance with the present invention.

FIG. 2 is a back view thereof.

FIG. 3 is a right view thereof.

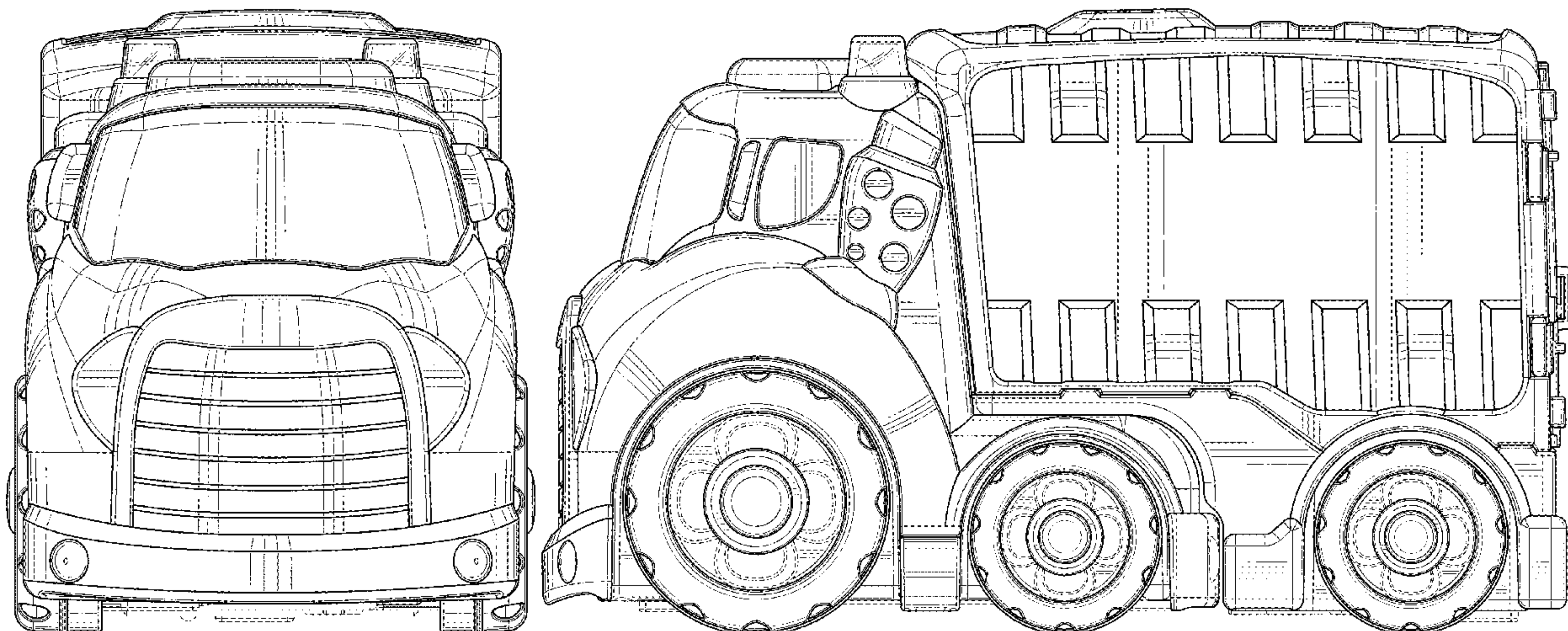
FIG. 4 is a left view thereof.

FIG. 5 is a top view thereof; and,

FIG. 6 is a bottom view thereof.

The broken lines show portions of the toy truck that form no part of the claimed design.

**1 Claim, 6 Drawing Sheets**



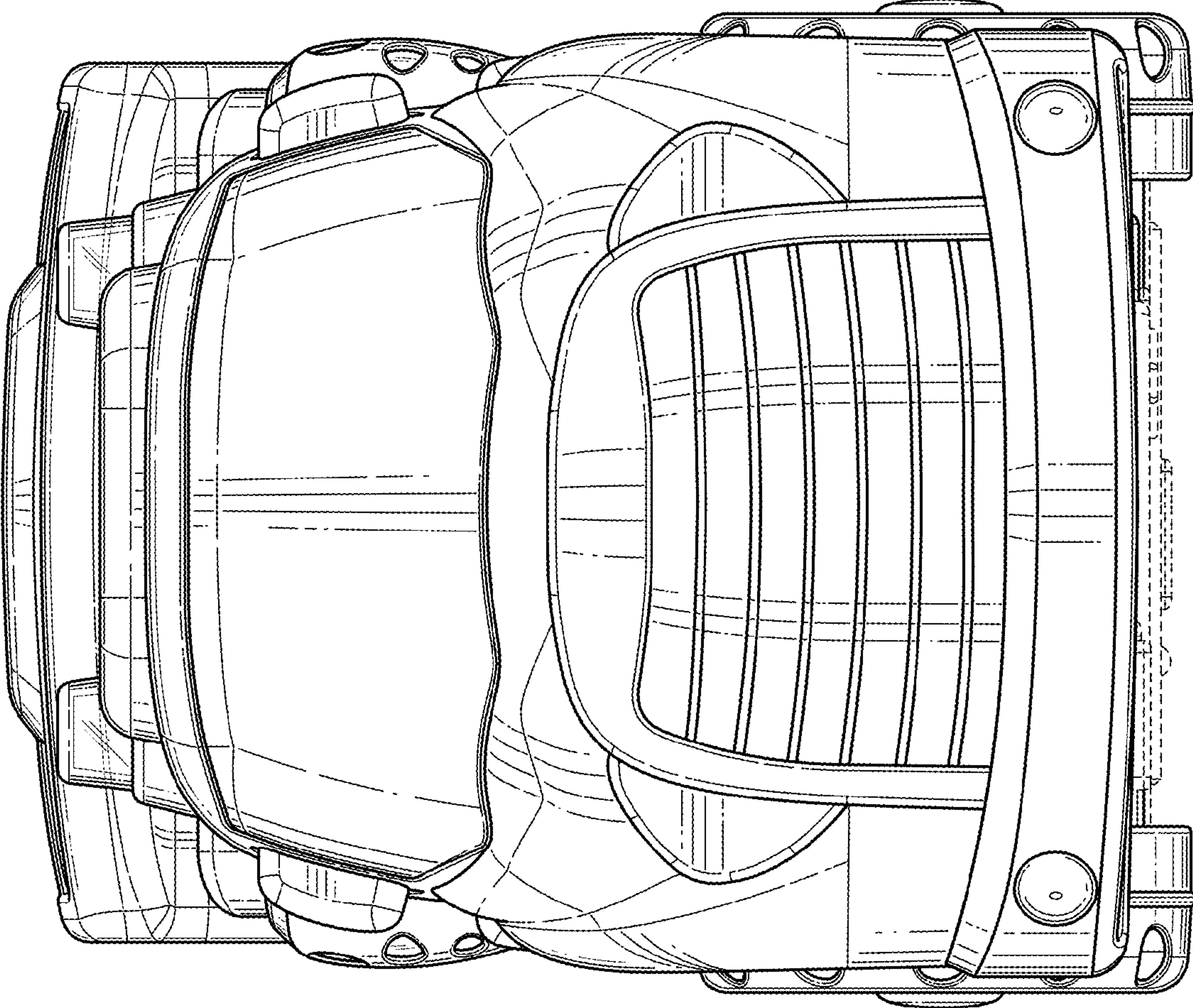


FIG. 1



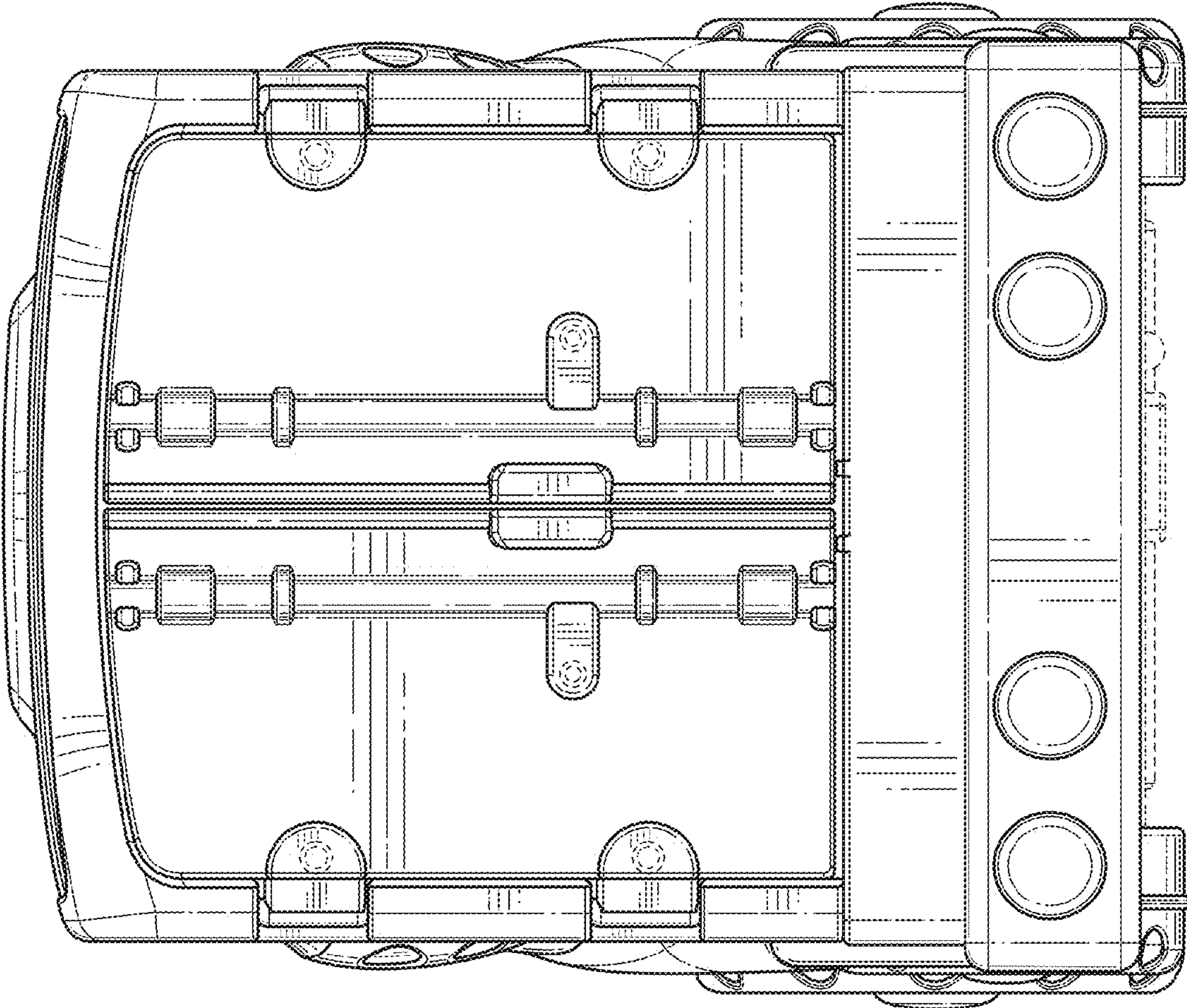


FIG. 2

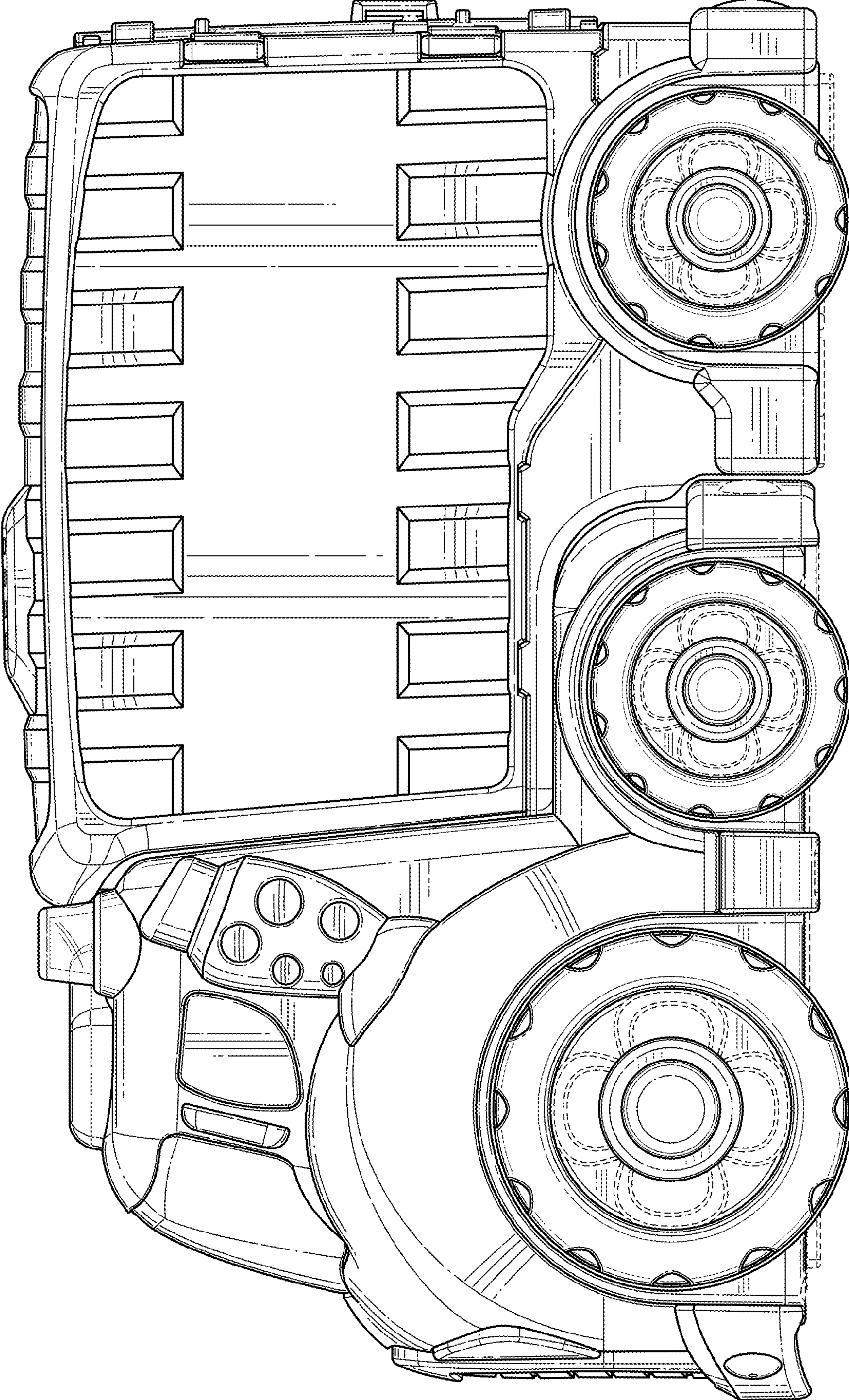


FIG. 3



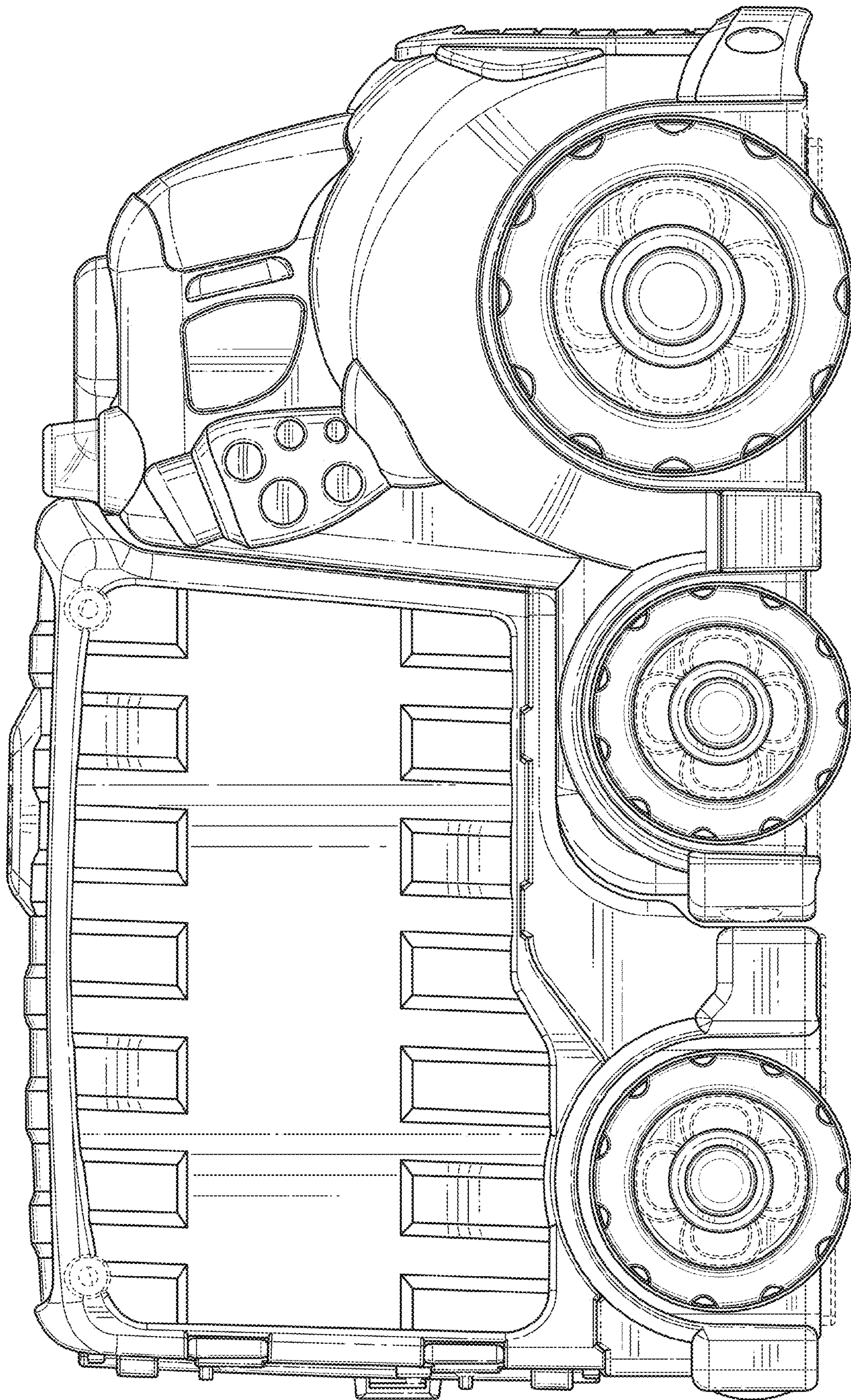


FIG. 4



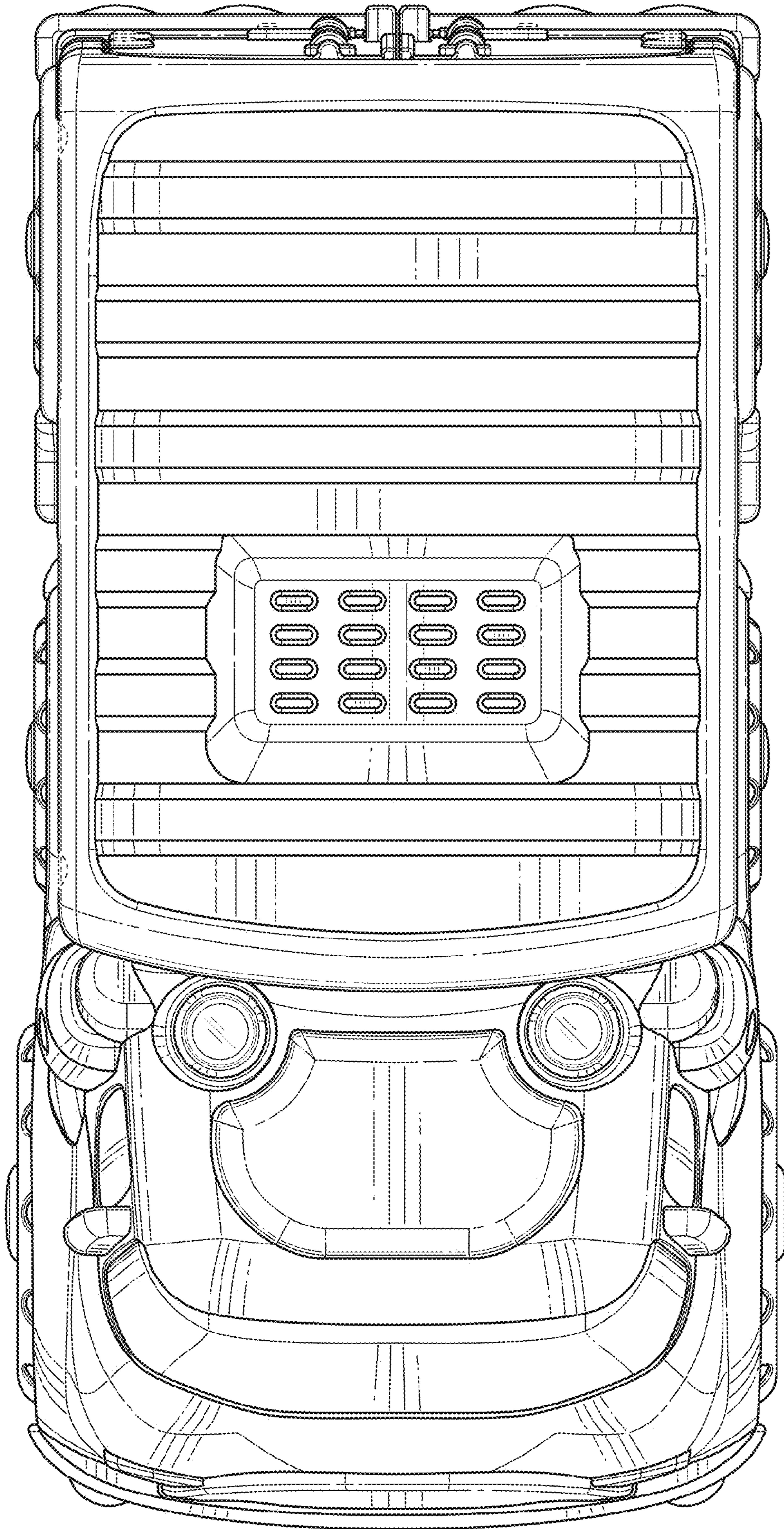


FIG. 5



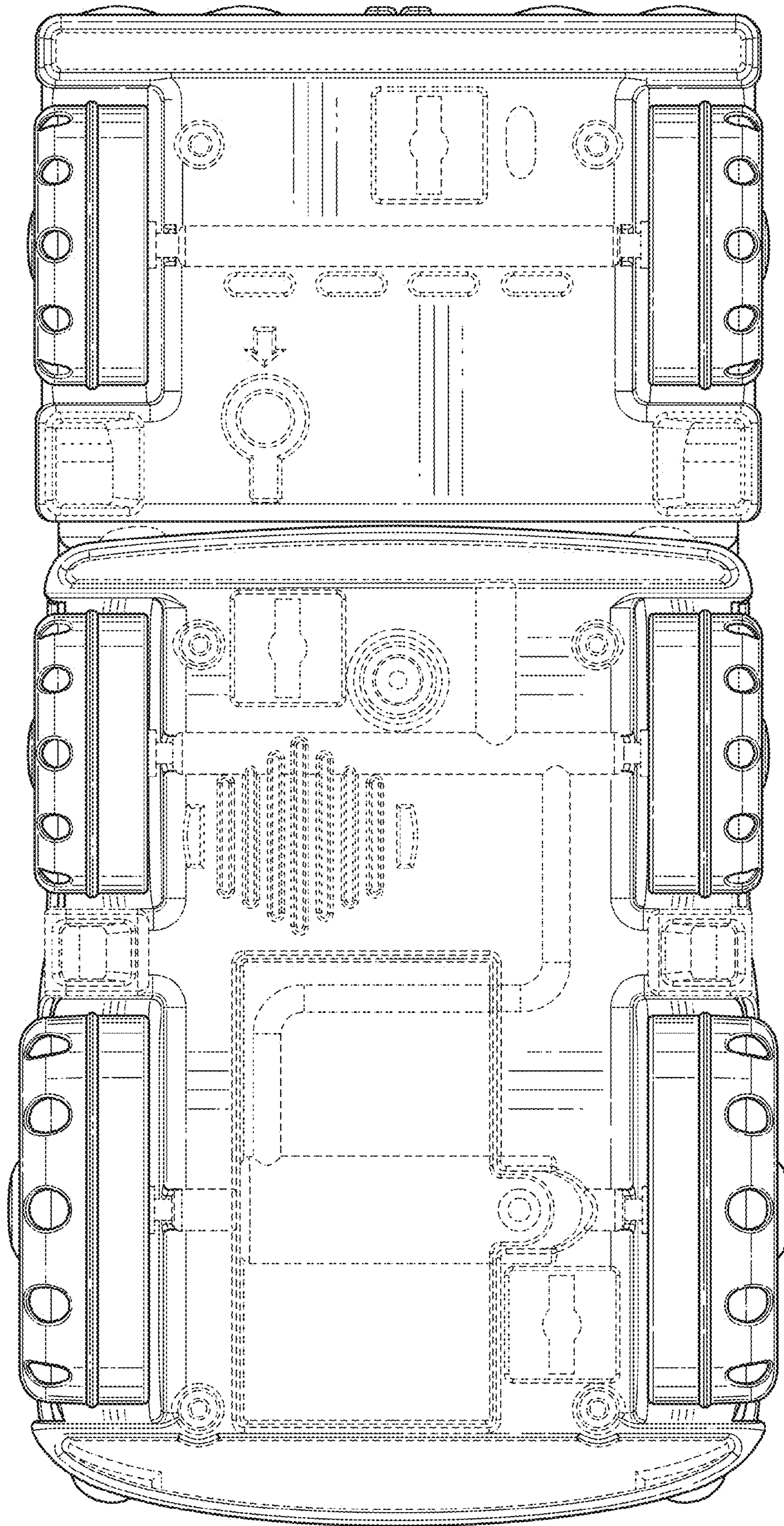


FIG. 6