



US00D872811S

(12) **United States Design Patent**  
**Lin**

(10) **Patent No.:** **US D872,811 S**  
(45) **Date of Patent:** **\*\* Jan. 14, 2020**

(54) **FLOAT DEVICE HAVING PROPELLING DEVICE**

(71) Applicant: **Linsnil Design Co., Kaoshiung (TW)**

(72) Inventor: **Wen Hsien Lin, Kaoshiung (TW)**

(73) Assignee: **Linsnil Design Co., Fonsan, Kaoshiung (TW)**

(\*\*) Term: **15 Years**

(21) Appl. No.: **29/649,409**

(22) Filed: **May 30, 2018**

(51) **LOC (12) Cl.** ..... **21-01**

(52) **U.S. Cl.**  
USPC ..... **D21/542**

(58) **Field of Classification Search**  
USPC ..... D12/319–345, 1–4, 16.1, 214, 300, 305,  
D12/308, 316, 317; D21/436–454, 473,  
D21/542, 545; D30/160  
CPC ..... B64C 29/0025; B64C 2201/108; B64C  
2201/048; B64C 2201/088; B64C 29/00;  
B64C 29/0058; B64C 39/001; B64C  
39/024; B64C 39/062; B64C 2201/141;  
B64C 27/12

See application file for complete search history.

(56) **References Cited**

**U.S. PATENT DOCUMENTS**

D82,767 S *	12/1930	Stromberg	.....	D12/323
D84,288 S *	6/1931	Hodgdon	.....	D12/323
D86,617 S *	3/1932	Lagios	.....	472/136
D90,805 S *	10/1933	Bierig	.....	D12/333
2,157,045 A *	5/1939	Wiese	.....	B64B 1/00 244/201
D130,013 S *	10/1941	Abernethy	.....	244/63
D133,001 S *	7/1942	Spooner	.....	D12/344
D133,805 S *	9/1942	Bierig	.....	244/35 R
D136,664 S *	11/1943	White	.....	244/35 R
D158,132 S *	4/1950	Salisbury	.....	296/181.5

D158,133 S *	4/1950	Salisbury	.....	D12/108
D171,569 S *	3/1954	Apostolescu	.....	D12/328
D177,445 S *	4/1956	Trautmann	.....	D12/333
D183,108 S *	6/1958	Price	.....	D12/333
D192,715 S *	5/1962	Rommel	.....	D12/323
3,090,580 A *	5/1963	Kehlet	.....	B64D 17/78 244/113
D196,013 S *	8/1963	Abernethy	.....	D12/308
D196,087 S *	8/1963	Armstrong	.....	D12/308
D198,881 S *	8/1964	King	.....	D12/320
D200,184 S *	1/1965	Thomas	.....	D12/333

(Continued)

*Primary Examiner* — Marissa J Cash

(74) *Attorney, Agent, or Firm* — Charles E. Baxley

(57) **CLAIM**

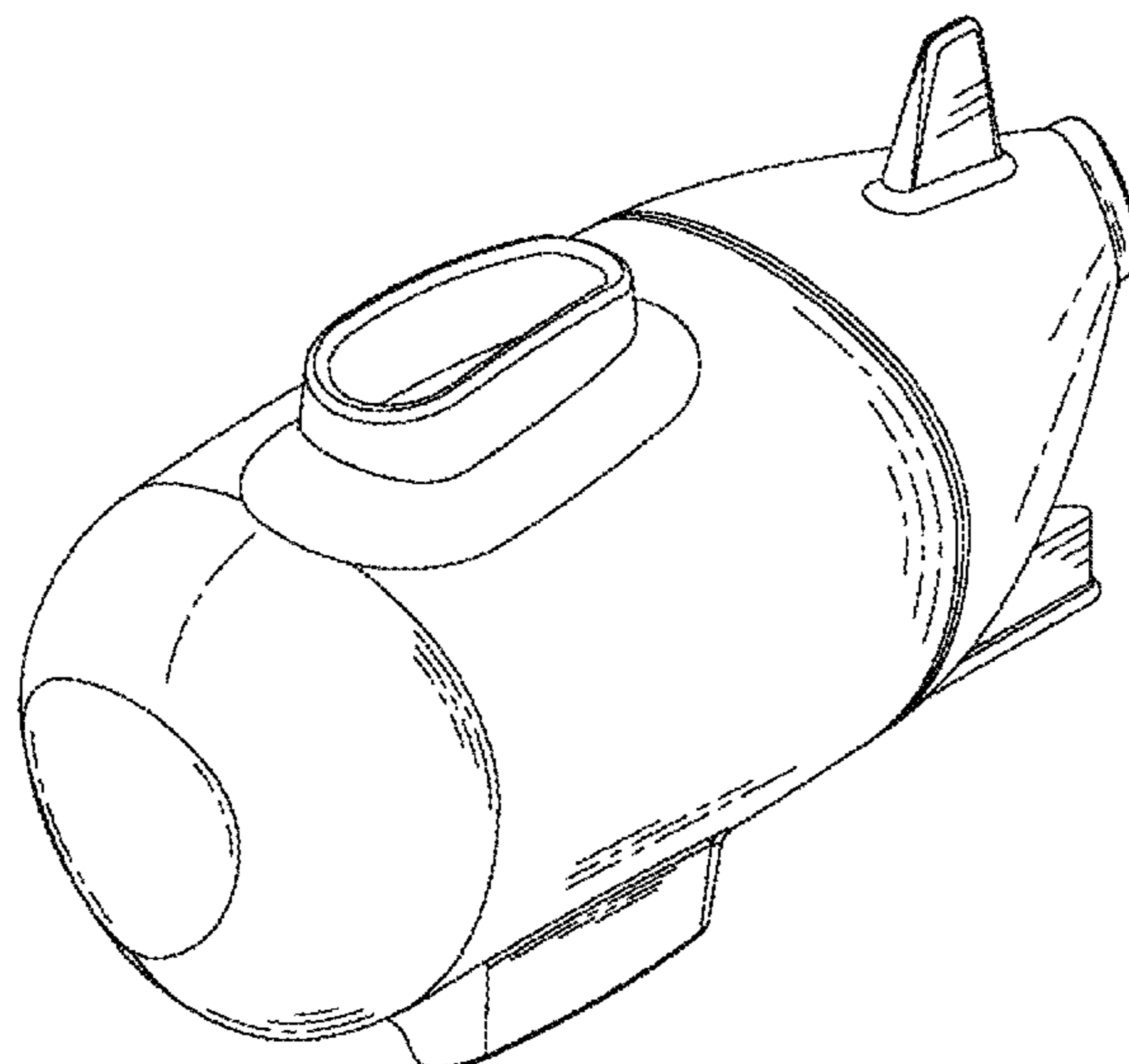
The ornamental design for a float device having propelling device, as shown and described.

**DESCRIPTION**

FIG. 1 is a right upper perspective view of a float device having propelling device showing my new design; FIG. 2 is a front elevational view thereof; FIG. 3 is a rear elevational view thereof; FIG. 4 is a top plan view thereof; FIG. 5 is a bottom plan view thereof; FIG. 6 is a left side elevational view thereof; FIG. 7 is a right side elevational view thereof; FIG. 8 is a left upper perspective view thereof; FIG. 9 is a right bottom perspective view thereof; FIG. 10 is a left bottom perspective view thereof; FIG. 11 is an exploded view thereof; and, FIG. 12 is a right and exploded view thereof.

The evenly-spaced broken lines immediately adjacent claimed surfaces represent boundaries that form no part of the claimed design; all other evenly-spaced broken lines represent unclaimed environmental subject matter and form no part of the claim. The dash-dot broken lines is for illustrative purposes only.

**1 Claim, 10 Drawing Sheets**



(56)

References Cited

U.S. PATENT DOCUMENTS

D201,725 S \* 7/1965 Rigsby ..... D12/308  
 D201,772 S \* 7/1965 Cohen ..... D12/320  
 D202,260 S \* 9/1965 McConologue ..... D12/335  
 D202,946 S \* 11/1965 Tschudy ..... D12/323  
 3,225,488 A \* 12/1965 Goldfarb ..... A63H 27/10  
 446/224  
 D205,812 S \* 9/1966 Ulbrich ..... D12/308  
 3,270,985 A \* 9/1966 Schmidt ..... B64C 9/38  
 185/39  
 3,343,768 A \* 9/1967 Gartzke ..... B64C 39/06  
 244/130  
 D211,915 S \* 8/1968 Raymes ..... 244/159.3  
 D213,146 S \* 1/1969 Barnett ..... D12/320  
 3,494,248 A \* 2/1970 Wenger ..... B64D 1/02  
 244/137.4  
 D217,076 S \* 3/1970 Asis ..... D12/324  
 3,507,461 A \* 4/1970 Rosta ..... B64C 39/001  
 244/12.2  
 D217,744 S \* 6/1970 Peterson ..... D12/308  
 D220,727 S \* 5/1971 Sawyer ..... D12/333  
 D231,976 S \* 7/1974 Torelli ..... D12/325  
 D239,613 S \* 4/1976 Askeborn ..... D12/308  
 D243,520 S \* 3/1977 Brown ..... D12/218  
 D265,488 S \* 7/1982 Appel ..... D21/447  
 D280,194 S \* 8/1985 Bothe ..... D12/323  
 4,591,112 A \* 5/1986 Piasecki ..... B64B 1/24  
 244/17.13  
 4,601,444 A \* 7/1986 Lindenbaum ..... B64B 1/24  
 244/2  
 D288,216 S \* 2/1987 Jensen ..... D21/440  
 D291,216 S \* 8/1987 Motts ..... D12/323  
 4,773,617 A \* 9/1988 McCampbell ..... B64B 1/60  
 244/128  
 4,792,107 A \* 12/1988 Fernz ..... B64B 1/005  
 244/115  
 D326,082 S \* 5/1992 Finlay ..... D12/345  
 5,115,997 A \* 5/1992 Peterson ..... B64B 1/50  
 244/25  
 D328,872 S \* 8/1992 Sutton ..... D10/59  
 5,240,206 A \* 8/1993 Omiya ..... B64B 1/02  
 244/25  
 D351,130 S \* 10/1994 Delaney ..... D12/323  
 D358,799 S \* 5/1995 Arnold ..... D12/323

D359,471 S \* 6/1995 Cuccias ..... D12/323  
 D362,234 S \* 9/1995 Urie, Jr. .... D12/320  
 D365,545 S \* 12/1995 Wainfan ..... D12/331  
 5,503,352 A \* 4/1996 Eger ..... B64C 39/068  
 244/13  
 D371,536 S \* 7/1996 Jones ..... D12/333  
 D372,218 S \* 7/1996 Herzberg ..... D12/319  
 D396,685 S \* 8/1998 Baumgartner ..... D12/320  
 D399,815 S \* 10/1998 Martin ..... D12/323  
 5,882,240 A \* 3/1999 Larsen ..... A63H 27/00  
 446/222  
 D418,804 S \* 1/2000 Glasgow ..... D12/323  
 D424,508 S \* 5/2000 Hankinson ..... D12/323  
 D451,560 S \* 12/2001 Tilbor ..... D21/542  
 D460,118 S \* 7/2002 Gray ..... D19/86  
 D460,126 S \* 7/2002 Zweiback ..... D21/398  
 D470,544 S \* 2/2003 Uetake ..... D21/545  
 D503,754 S \* 4/2005 Winston ..... D21/545  
 D583,293 S \* 12/2008 Frost ..... D12/319  
 D591,364 S \* 4/2009 Nagaoka ..... D21/542  
 D630,155 S \* 1/2011 Buckley ..... D12/323  
 D663,255 S \* 7/2012 Pasternak ..... D12/319  
 D665,332 S \* 8/2012 Vicente ..... D12/319  
 D670,638 S \* 11/2012 Goelet ..... D12/319  
 D701,160 S \* 3/2014 Boon ..... D12/300  
 D713,320 S \* 9/2014 Egan ..... D12/319  
 D727,242 S \* 4/2015 Egan ..... D12/319  
 9,030,203 B2 \* 5/2015 Cho ..... G01R 33/0385  
 324/331  
 D735,814 S \* 8/2015 Wang ..... D21/436  
 D738,438 S \* 9/2015 Cummings ..... D21/447  
 9,126,669 B2 \* 9/2015 Ciampa ..... B64B 1/62  
 D743,319 S \* 11/2015 Kapitan ..... D12/319  
 D743,867 S \* 11/2015 Kapitan ..... D12/319  
 D795,158 S \* 8/2017 Gan ..... D12/308  
 D801,856 S \* 11/2017 Zhou ..... D12/16.1  
 D803,724 S \* 11/2017 Zhou ..... D12/16.1  
 D809,970 S \* 2/2018 Zhou ..... D12/16.1  
 D821,264 S \* 6/2018 Choo ..... D12/16.1  
 D828,279 S \* 9/2018 Xiong ..... D12/308  
 D830,943 S \* 10/2018 Zheng ..... D12/308  
 2008/0265087 A1 \* 10/2008 Quinn ..... B64B 1/00  
 244/30  
 2012/0298030 A1 \* 11/2012 Lee ..... B63G 8/08  
 114/337

\* cited by examiner

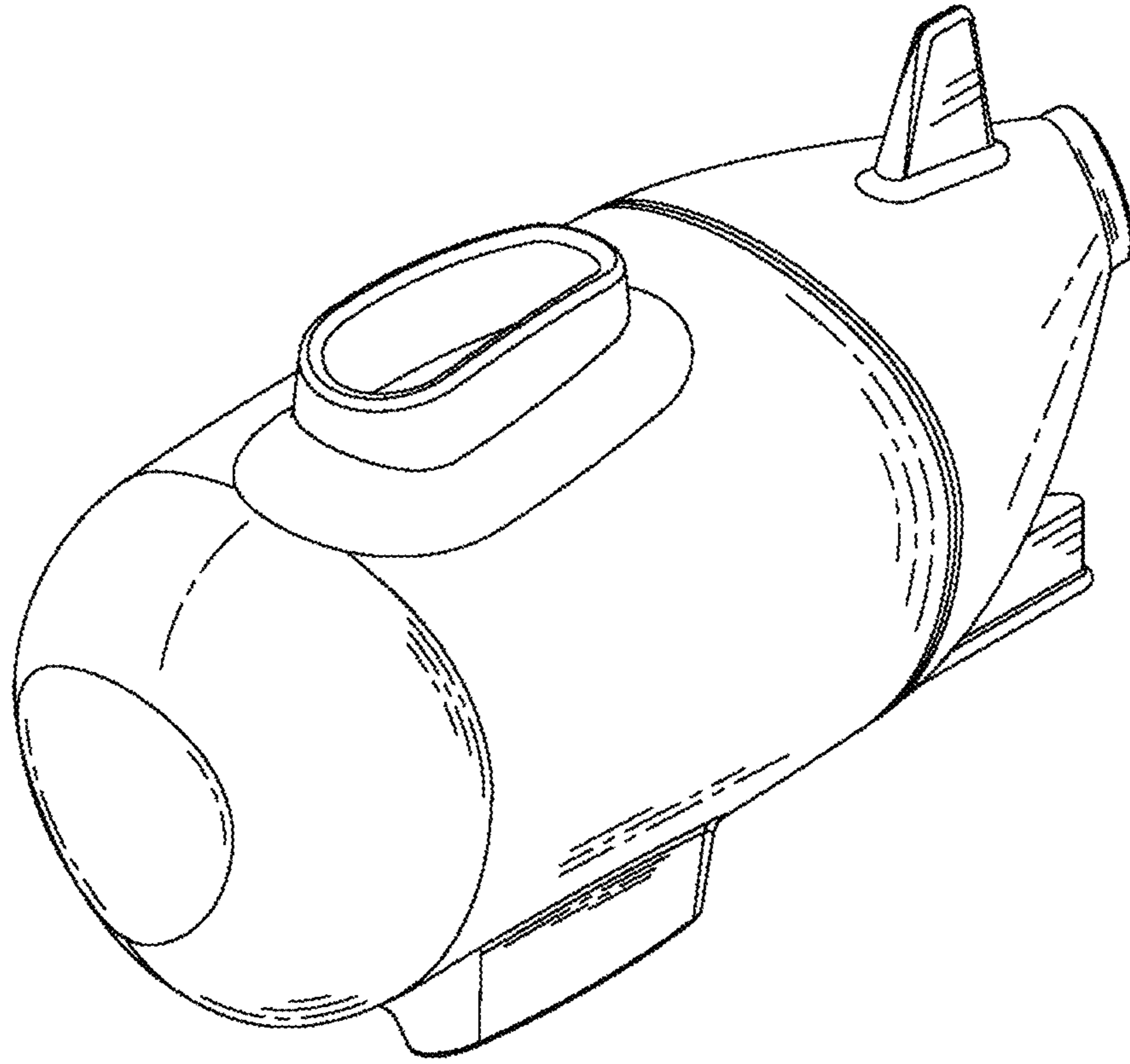


FIG. 1



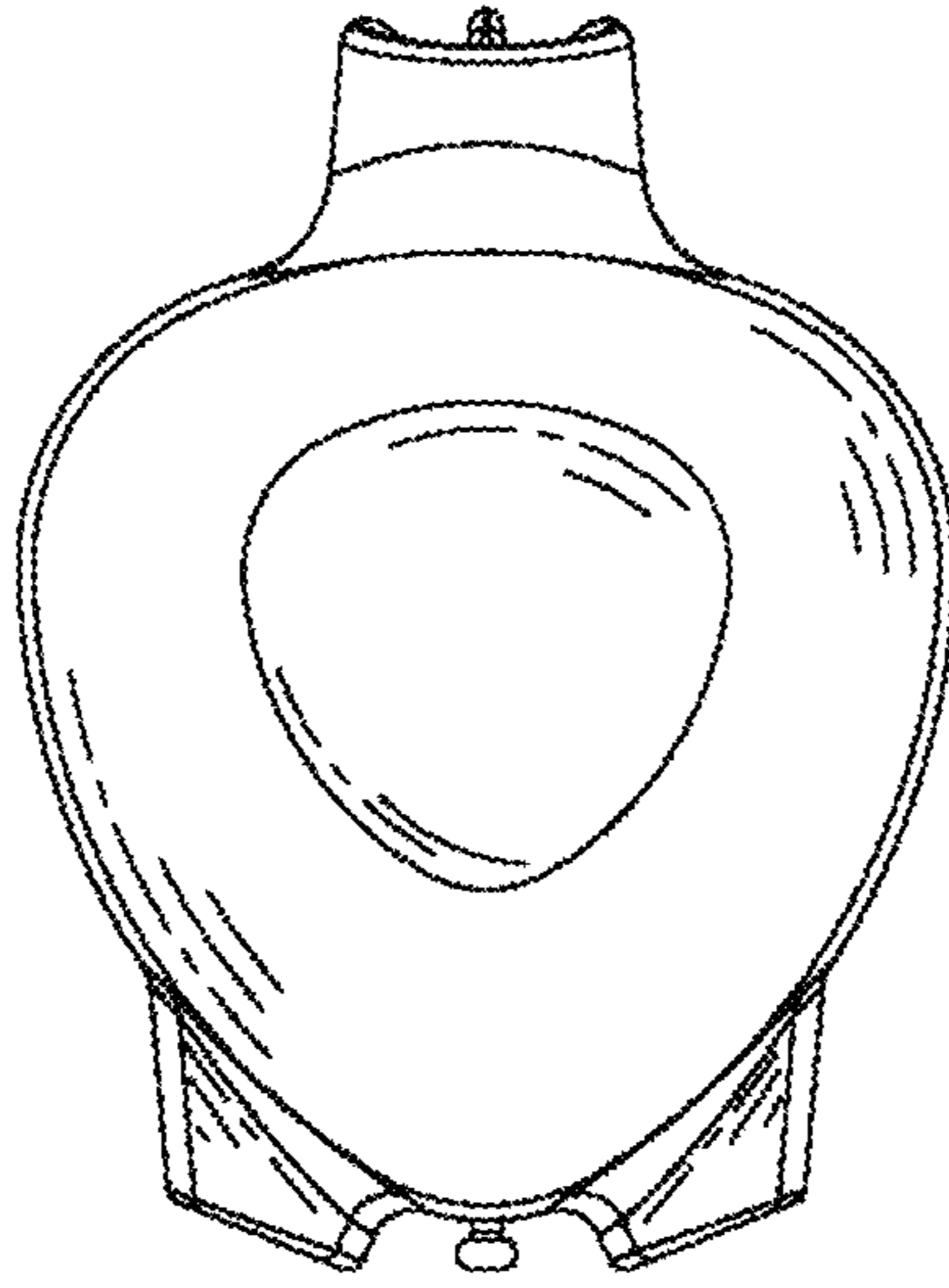


FIG. 2

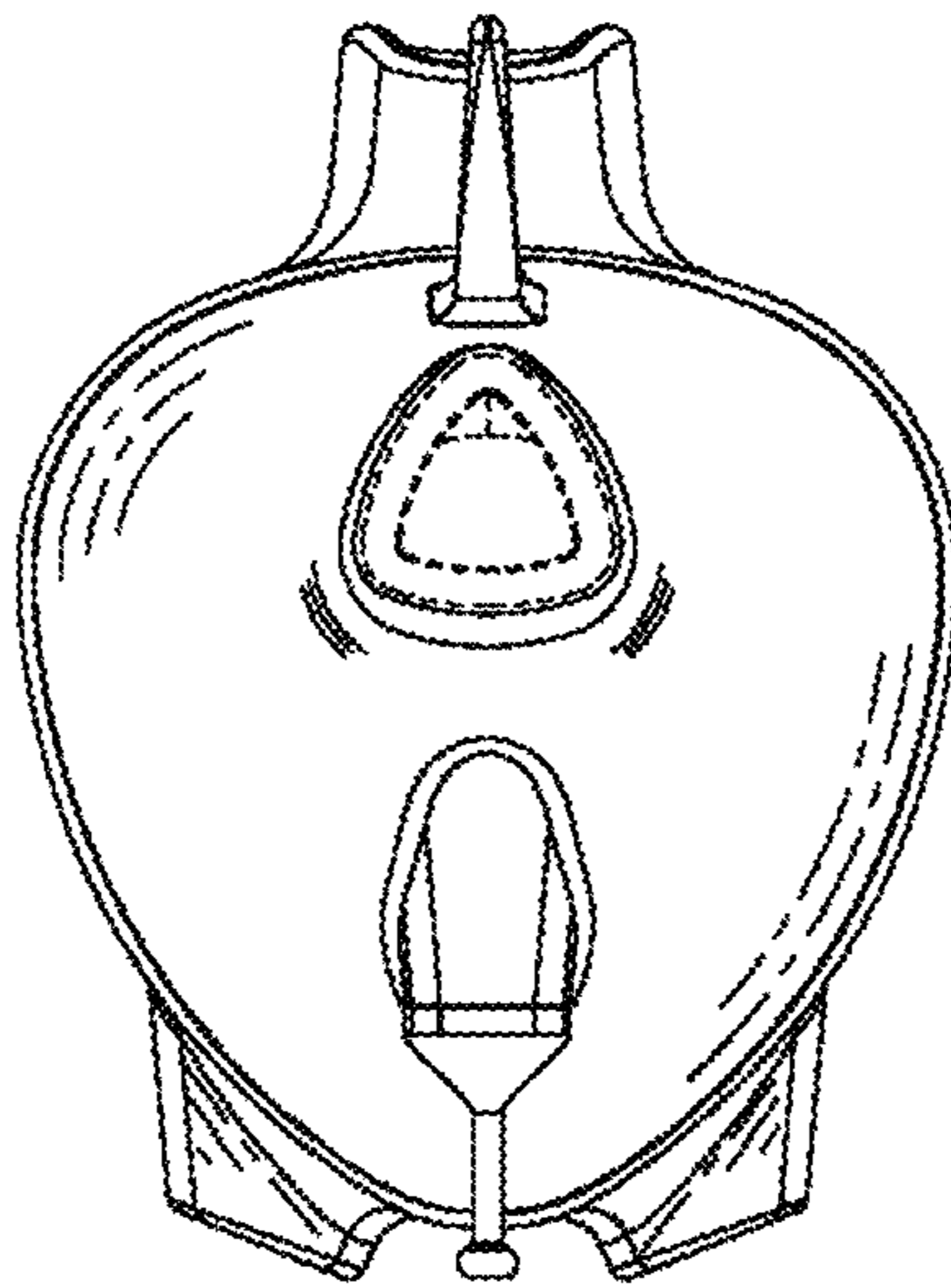


FIG. 3

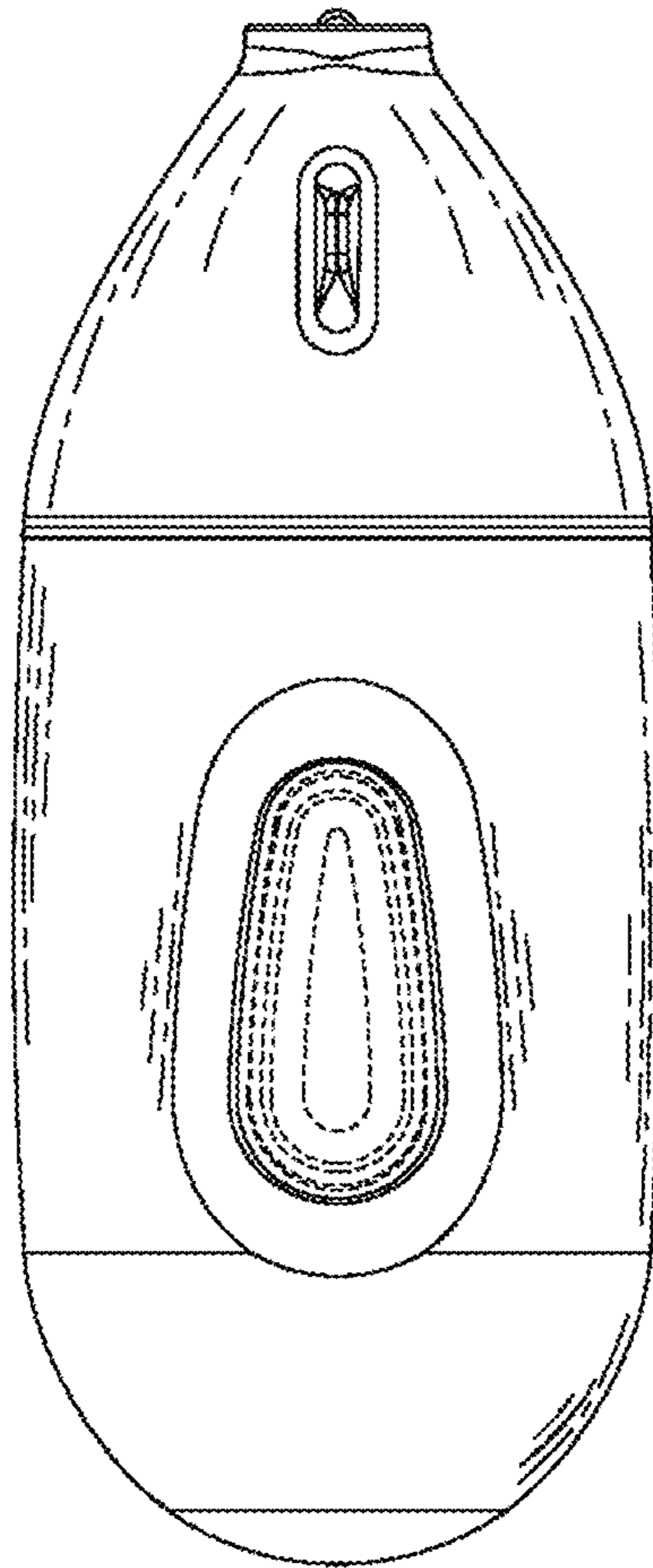


FIG. 4

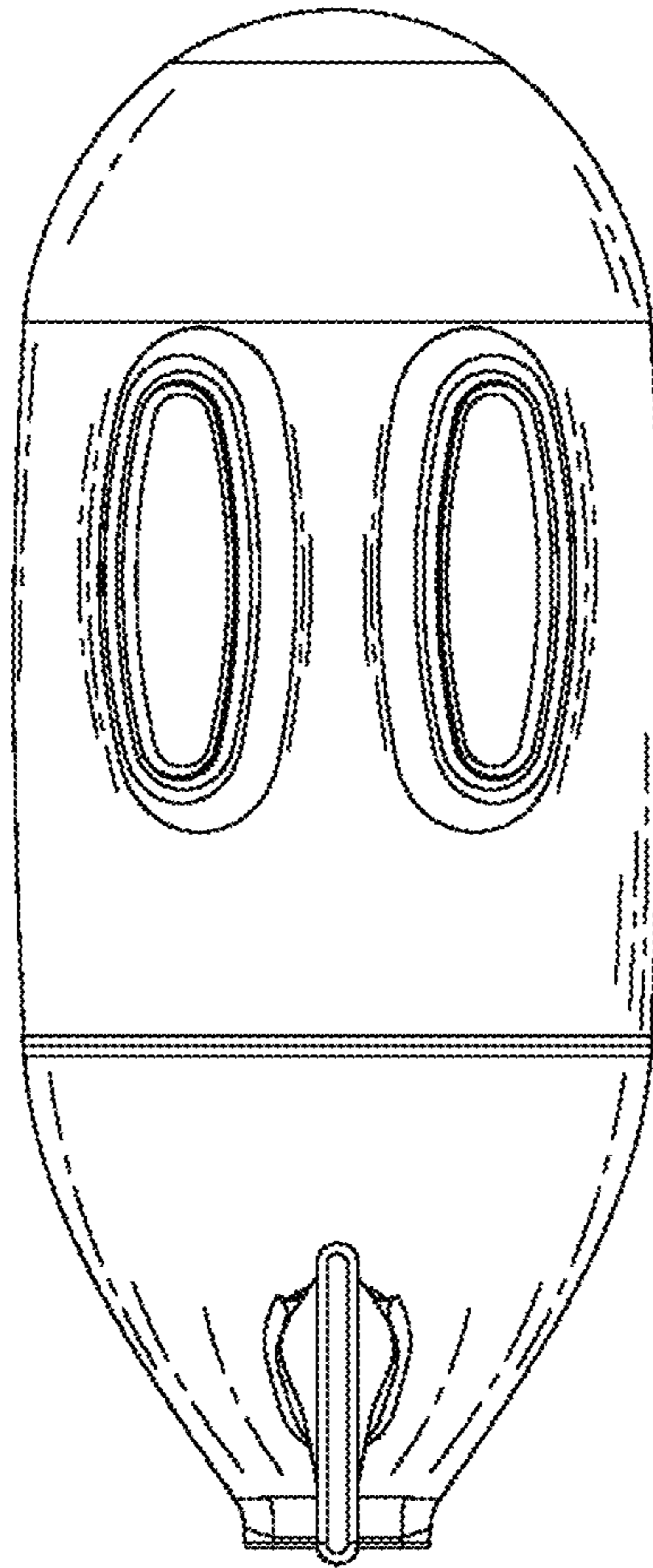


FIG. 5

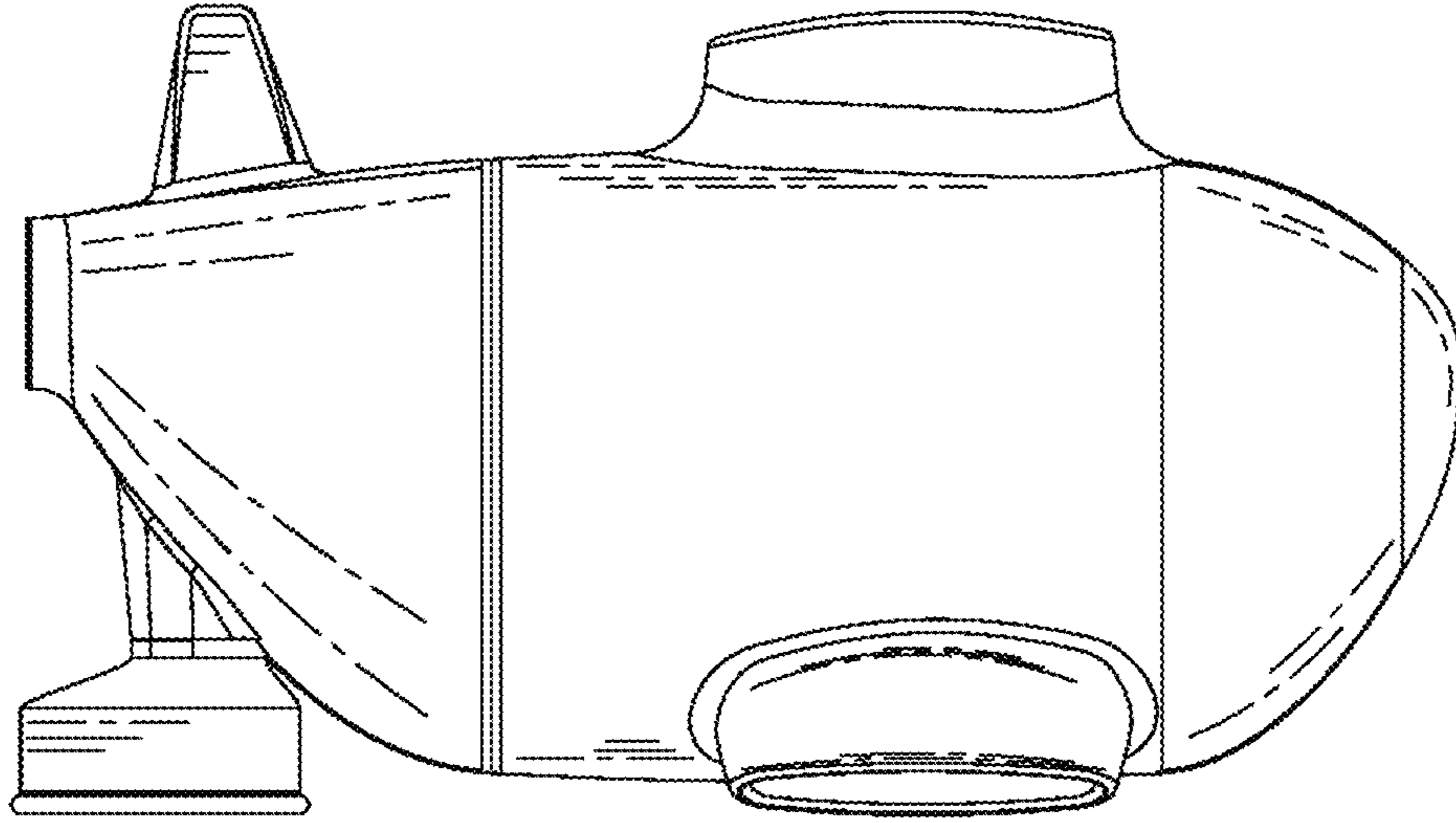


FIG. 6

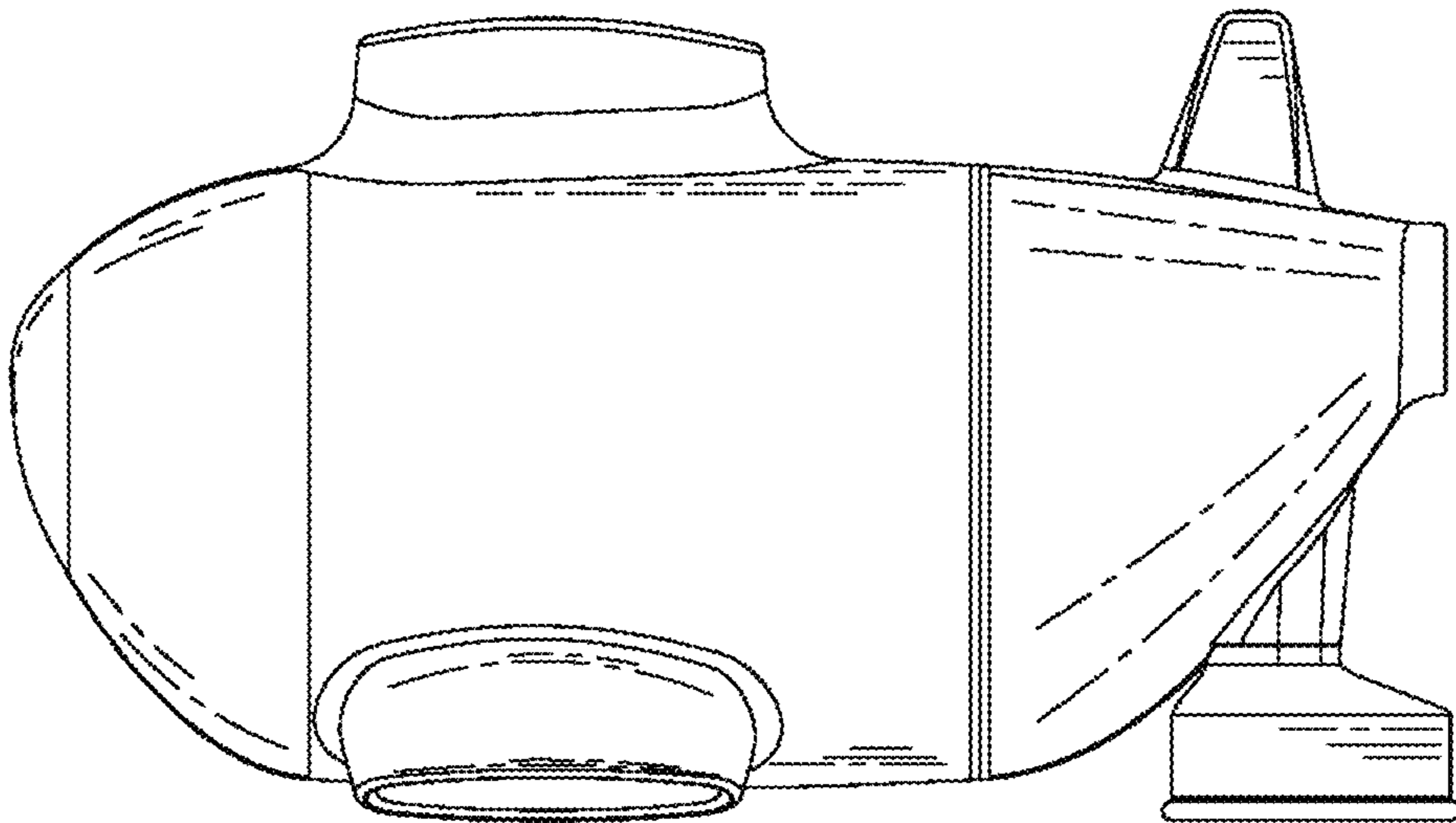


FIG. 7

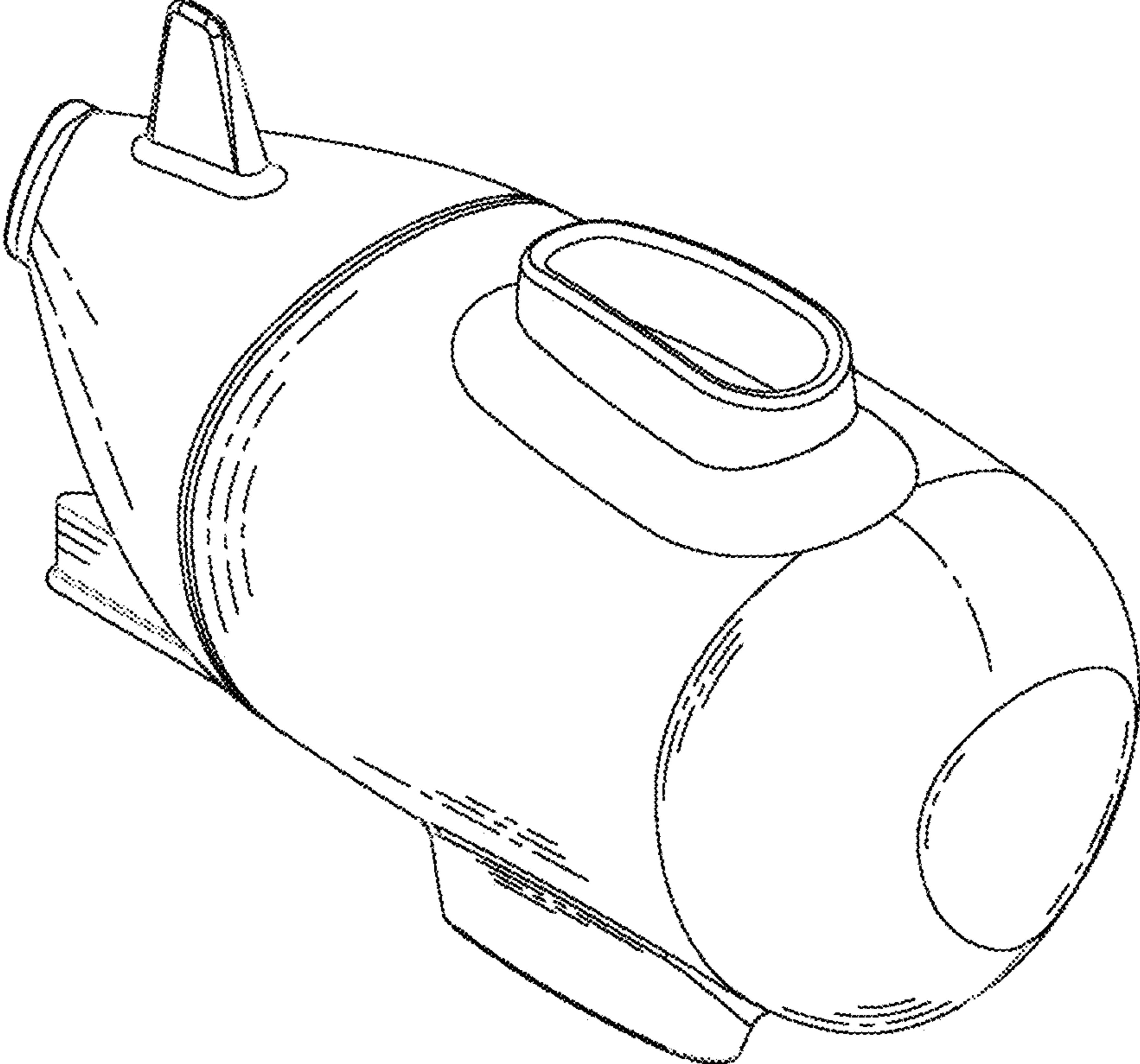


FIG. 8



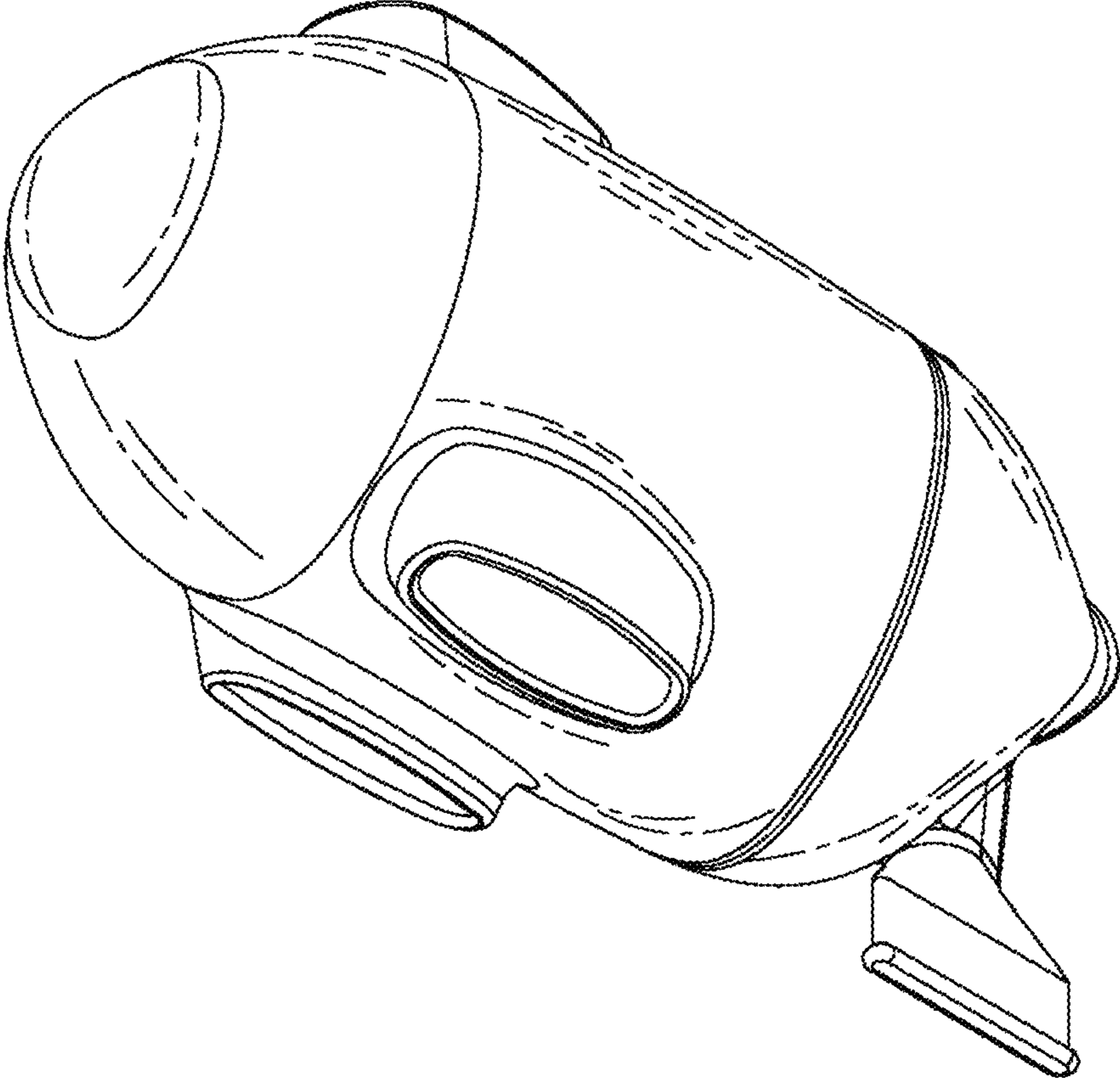


FIG. 9

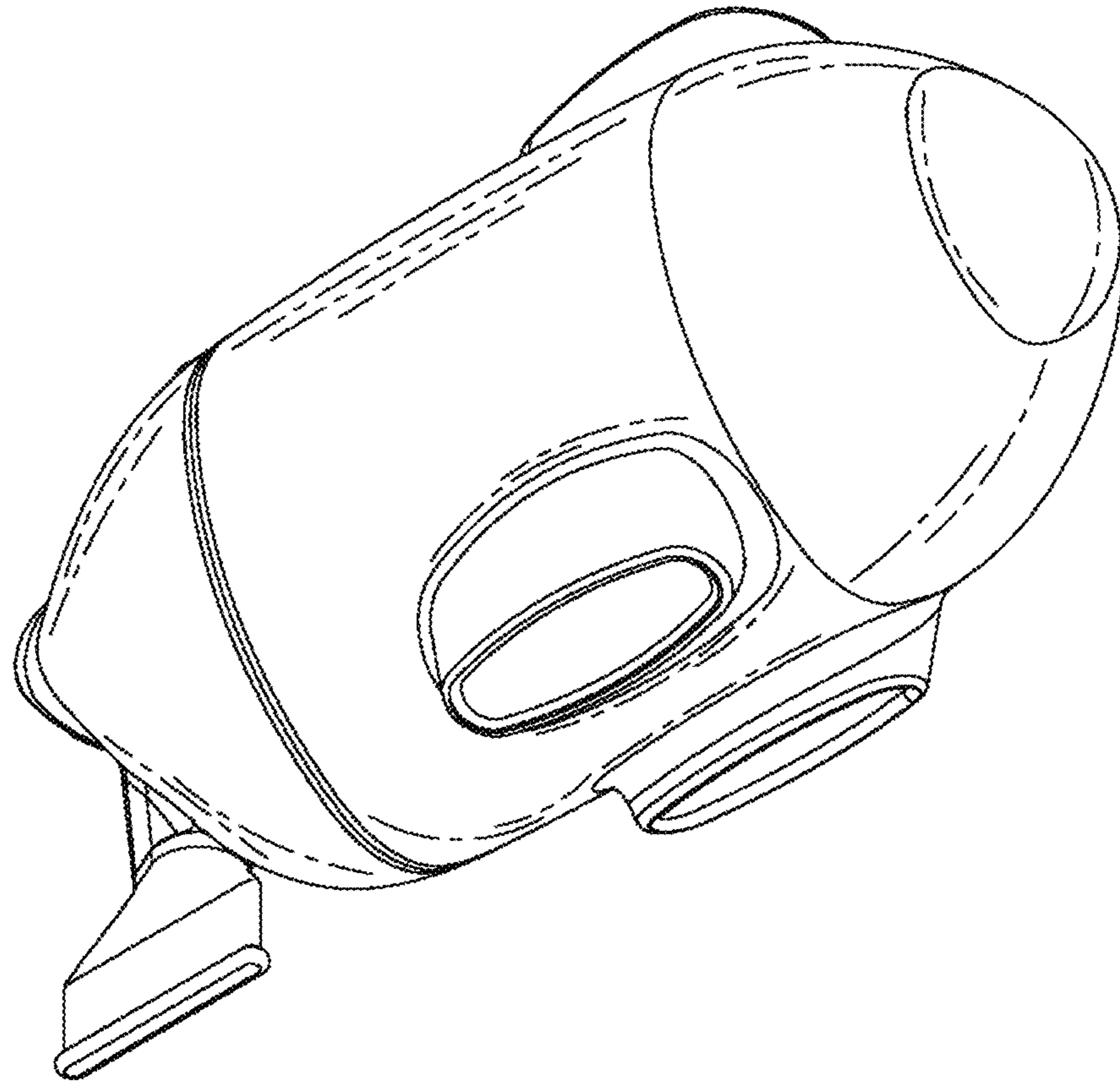


FIG. 10

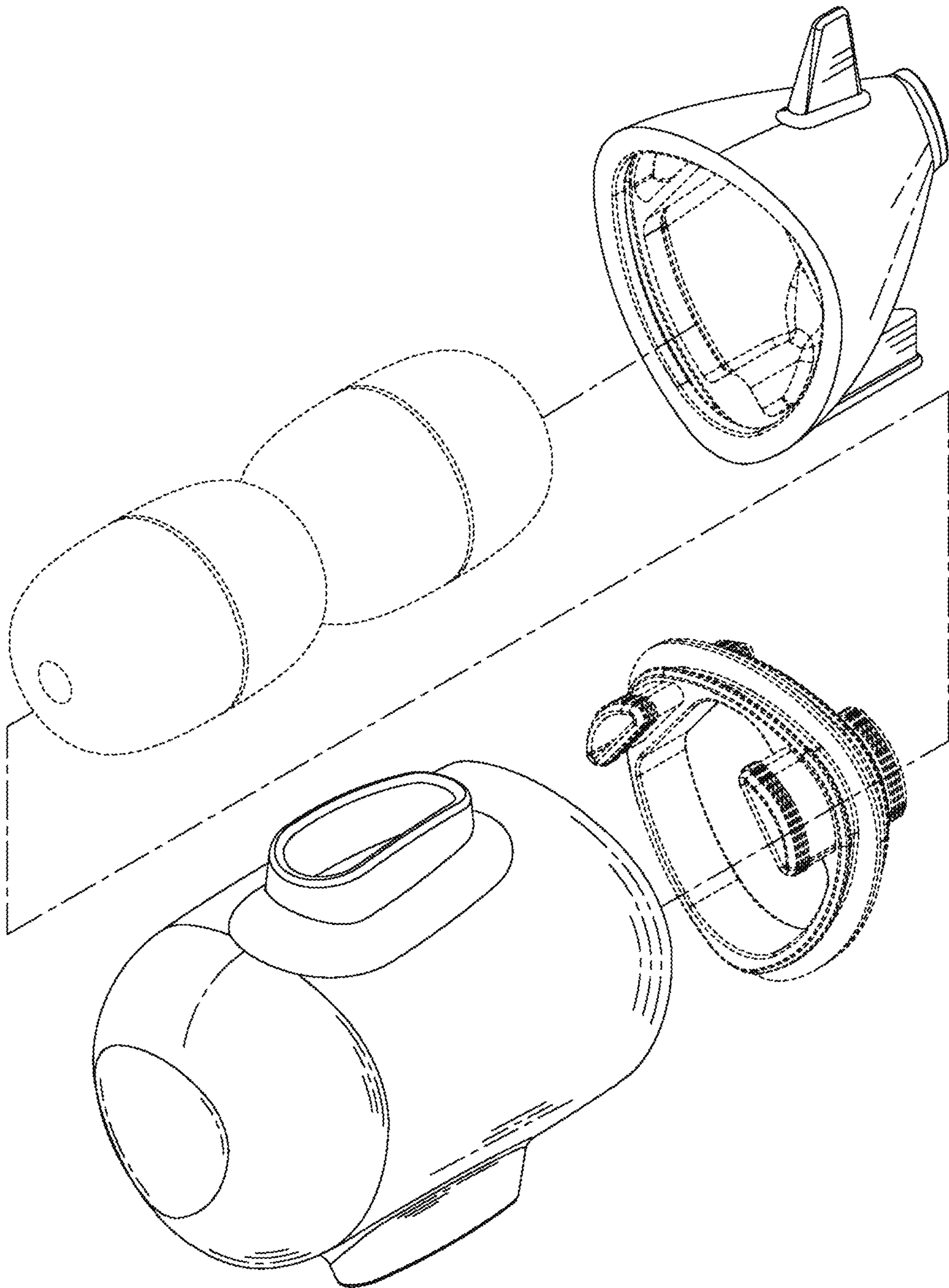


FIG. 11

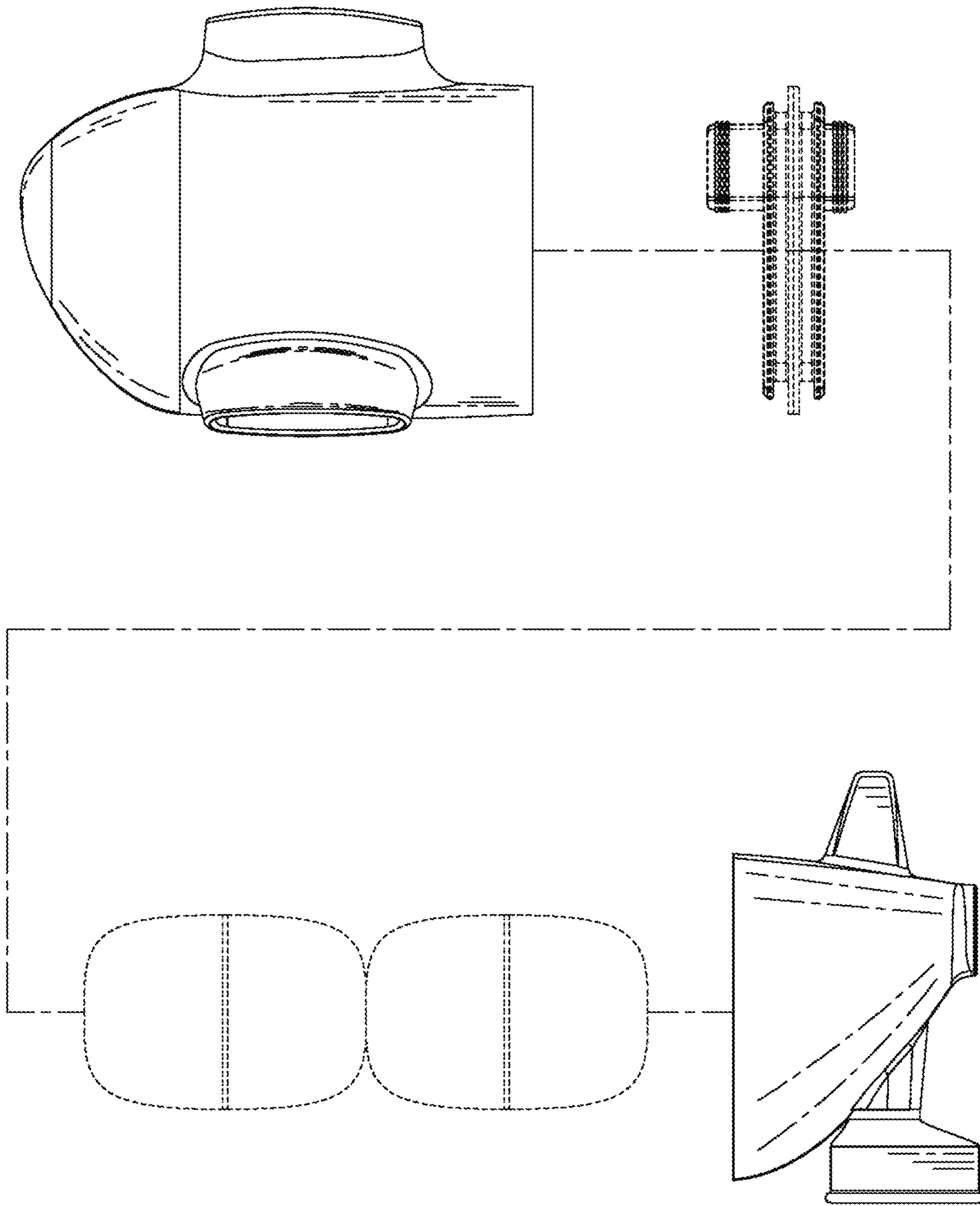


FIG. 12