



US00D872808S

(12) **United States Design Patent** (10) **Patent No.:** **US D872,808 S**  
**Puorro** (45) **Date of Patent:** **\*\* Jan. 14, 2020**

(54) **BOOK PROP**

(71) Applicant: **NJH Enterprises**, Indianapolis, IN (US)

(72) Inventor: **Nancy Puorro**, Indianapolis, IN (US)

(73) Assignee: **NJN Enterprises**, Indianapolis, IN (US)

(\*\*) Term: **15 Years**

(21) Appl. No.: **29/629,866**

(22) Filed: **Dec. 15, 2017**

(51) **LOC (12) Cl.** ..... **21-01**

(52) **U.S. Cl.**  
USPC ..... **D21/468**; D21/519; D6/700; D6/573; D19/91

(58) **Field of Classification Search**

USPC ..... D21/300, 385, 392-394, 398, 468, 475, D21/483, 519, 522; D19/32, 34.1, 34.2, D19/59, 62, 64, 75, 77, 90-92, 95; D20/19; D9/721, 737, 414, 418, 420, D9/421, 432; D3/273, 274, 283, 284, D3/288, 295-297, 900; D6/329, 635, D6/642, 657, 662, 662.1, 664, 671, 671.2, D6/672, 673, 675, 675.1, 675.3, 679, D6/680.2, 682, 682.1, 682.2, 700, 701, D6/681, 686, 691.9, 406.1, 406.3, 653, D6/653.1, 654, 654.1, 300; 446/82, 147, 446/148, 479, 482, 487, 488, 8, 69, 71, 446/75, 489, 491; 248/174, 441.1, 444.1, 248/447, 448, 449, 450, 454, 455, 456, 248/459, 460, 461, 465; 211/42, 43; 281/33, 45; 206/751, 752, 45.2, 45.21, 206/45.22, 45.23, 769, 579, 424, 472, 206/473, 775; 434/128, 332, 348, 365, 434/387, 393, 429; 312/188, 204, 233, 312/234, 291

CPC .... A63H 33/00; A63H 33/30; A63H 33/3055; A63H 33/3061; A63H 33/3083; A63H 33/38; A63H 33/42; A47B 23/04; A47B 23/042; A47B 23/043; A47B 23/044;

A47B 23/06; A47B 19/00; A47B 19/06; A47B 19/08; A47B 19/10; A47B 43/00; A47B 43/02; A47B 46/005; A47B 63/00; A47B 65/00; A63F 9/06; A63F 9/0602; A63F 9/18; A63F 2009/0012; A63F 2009/0035; A63F 2009/0036; A63F 2009/0039; A63F 2009/0049; A63F 2009/0056; A63F 2009/007; G09B 3/00; G09B 17/00

See application file for complete search history.

(56) **References Cited**

U.S. PATENT DOCUMENTS

D82,837 S \* 12/1930 Kivy ..... D6/643  
1,821,279 A \* 9/1931 Sithens ..... A47B 19/04  
312/233  
1,856,719 A \* 5/1932 McIntyre ..... A63H 33/22  
40/518  
D144,202 S \* 3/1946 Loge ..... D14/185  
D178,021 S \* 6/1956 Stanley ..... D21/519

(Continued)

*Primary Examiner* — Catherine A Tuttle

(74) *Attorney, Agent, or Firm* — Brinks Gilson & Lione

(57) **CLAIM**

I claim the ornamental design for a book prop, as shown and described.

**DESCRIPTION**

FIG. 1 is a perspective view of the book prop showing my new design.

FIG. 2 is a top plan view thereof.

FIG. 3 is a bottom plan view thereof.

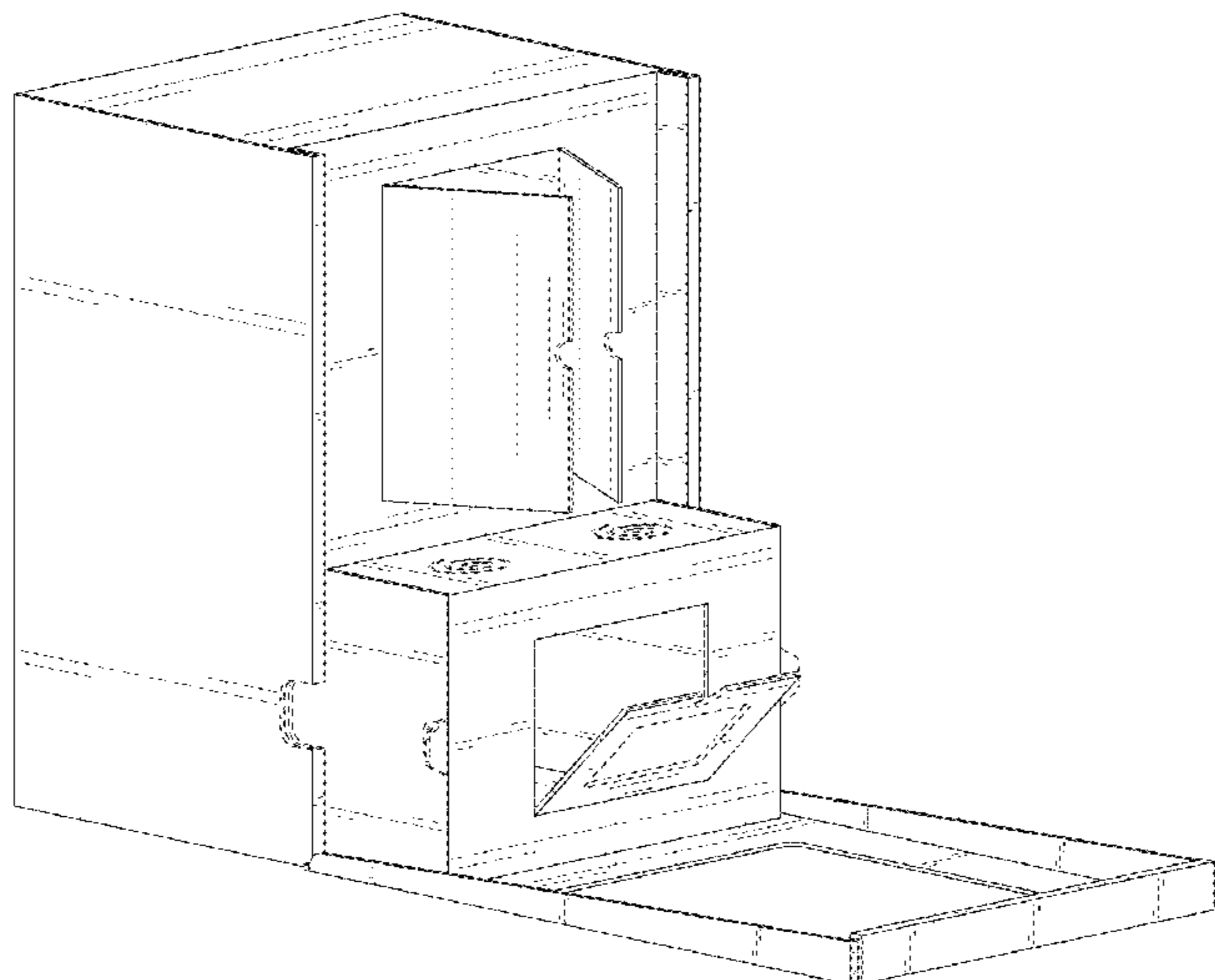
FIG. 4 is a right side view thereof, the left side plan view being a mirror image.

FIG. 5 is a front side view thereof; and,

FIG. 6 is a back side plan view thereof.

The broken lines in FIGS. 1-6 illustrate the portions of the book prop that form no part of the claimed design.

**1 Claim, 6 Drawing Sheets**



(56)

**References Cited**

U.S. PATENT DOCUMENTS

2,820,686 A \* 1/1958 Snyder ..... A47B 19/08  
312/282  
4,101,184 A \* 7/1978 Barrett ..... A47B 5/006  
248/447  
D271,261 S \* 11/1983 Ungaro ..... D6/662.1  
D280,649 S \* 9/1985 Iwabuchi ..... D21/475  
D284,526 S \* 7/1986 Freeman ..... D3/284  
D296,800 S \* 7/1988 Benedetto ..... D21/522  
5,984,755 A \* 11/1999 Avey ..... A63H 17/05  
206/765  
6,506,093 B2 \* 1/2003 Avital ..... A63J 19/00  
40/421  
D623,873 S \* 9/2010 de la Haye ..... D6/664  
2006/0040582 A1 \* 2/2006 Hopper ..... A63H 3/52  
446/75  
2009/0104838 A1 \* 4/2009 Manrique ..... A63H 33/008  
446/82  
2010/0311301 A1 \* 12/2010 Park ..... A63H 33/38  
446/148

\* cited by examiner

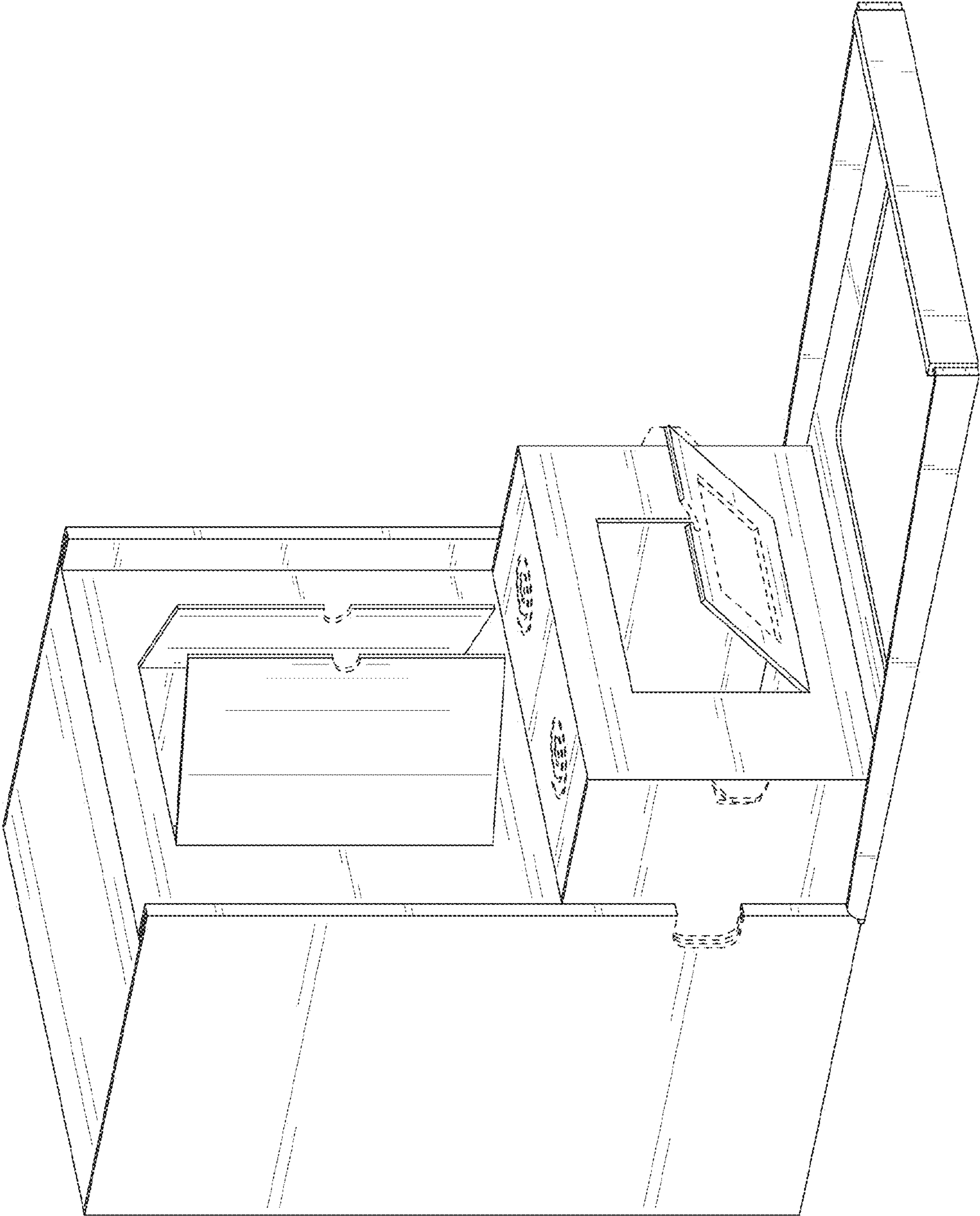


FIG. 1

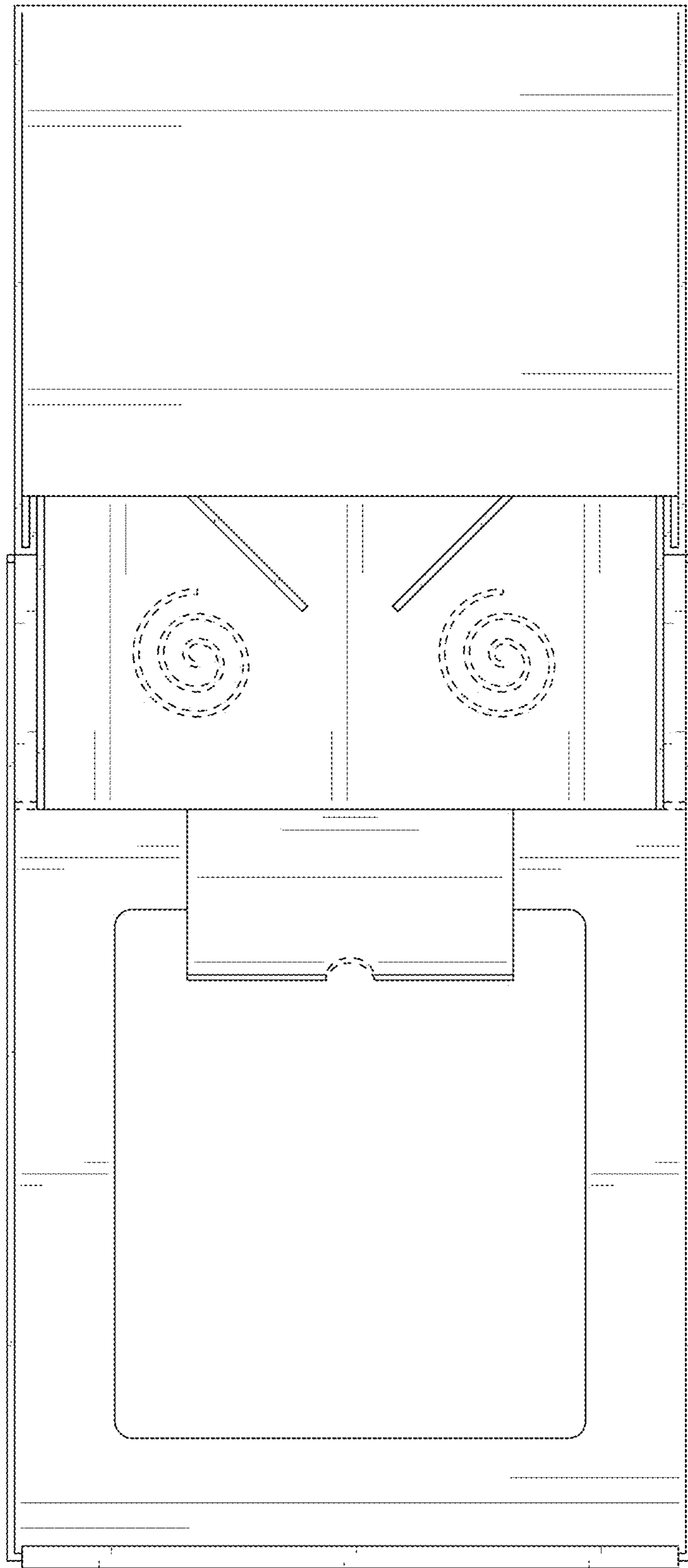


FIG. 2

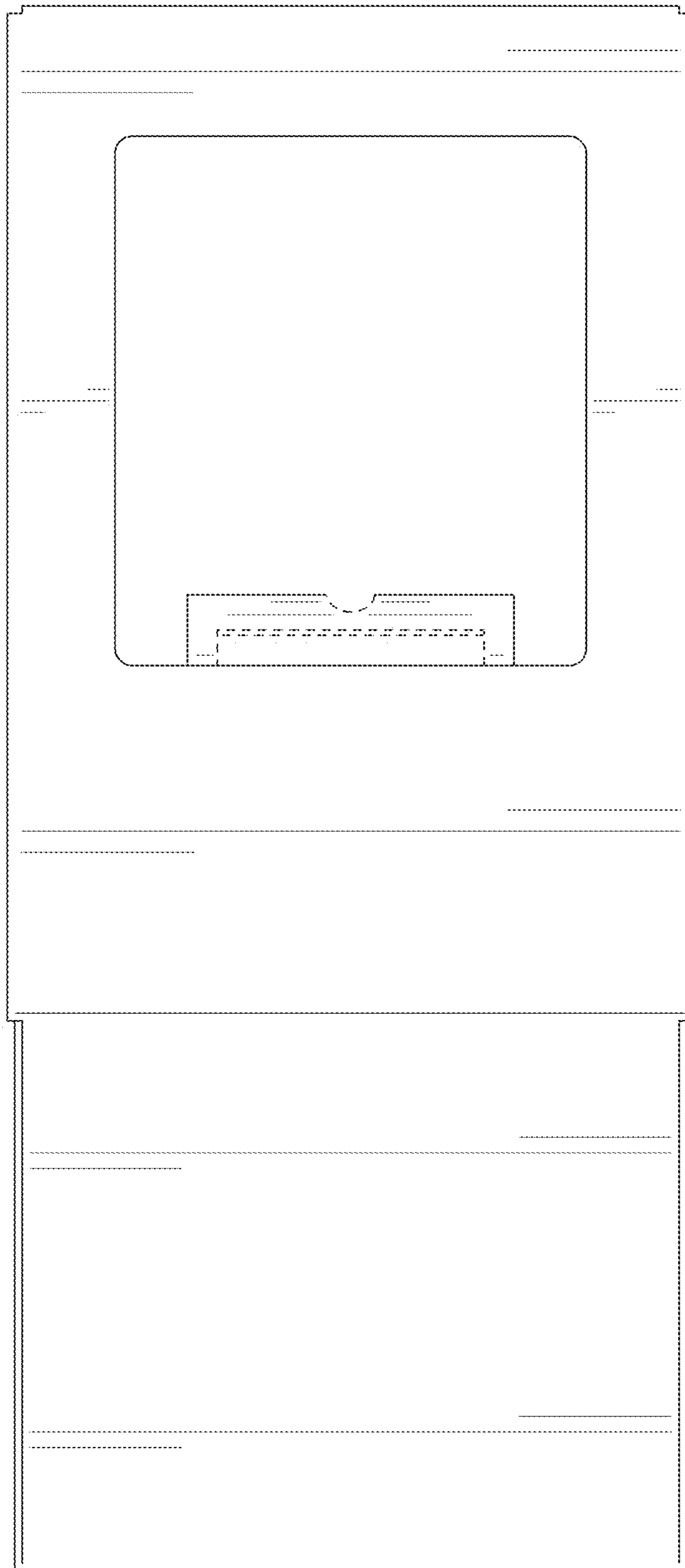


FIG. 3

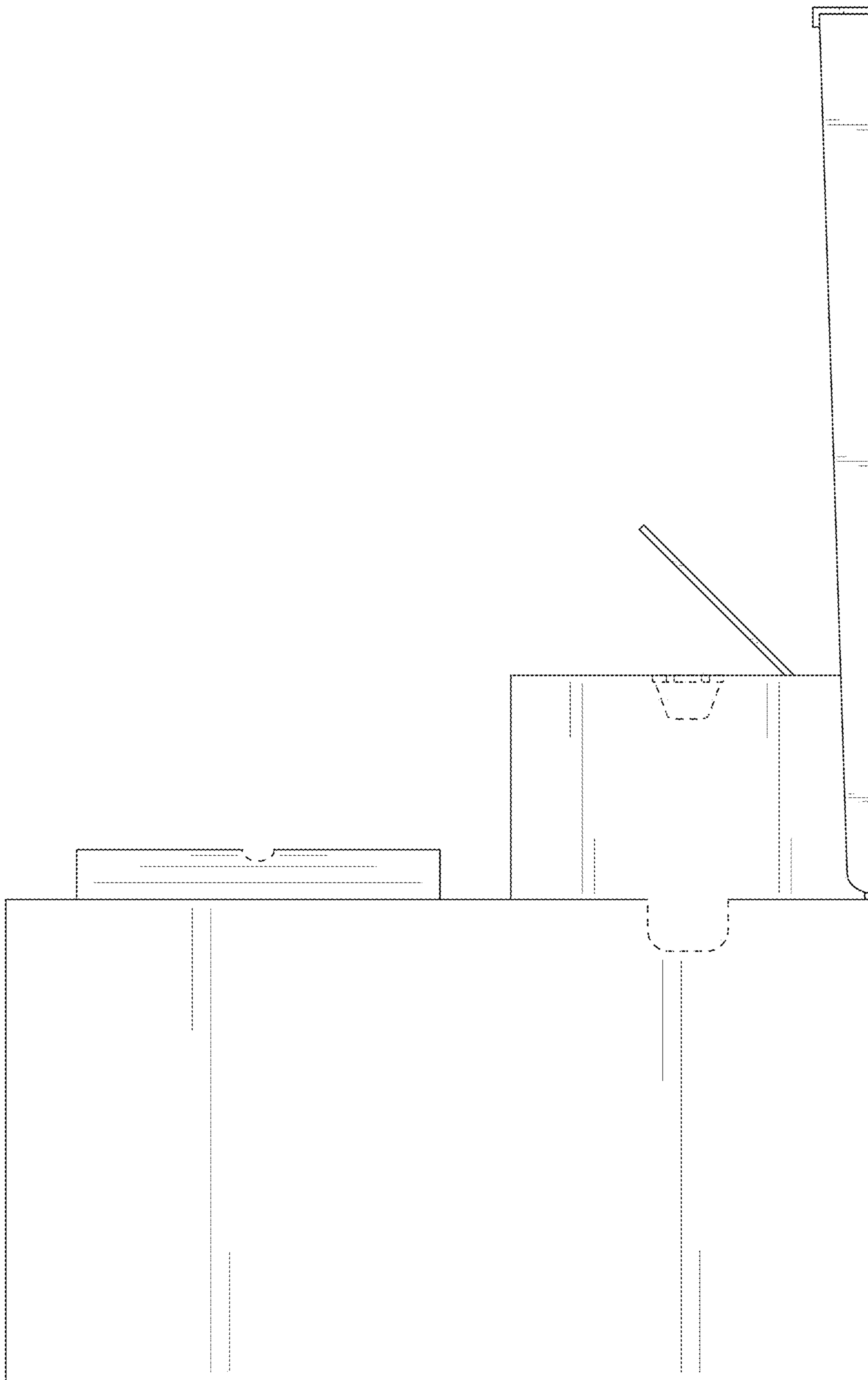


FIG. 4

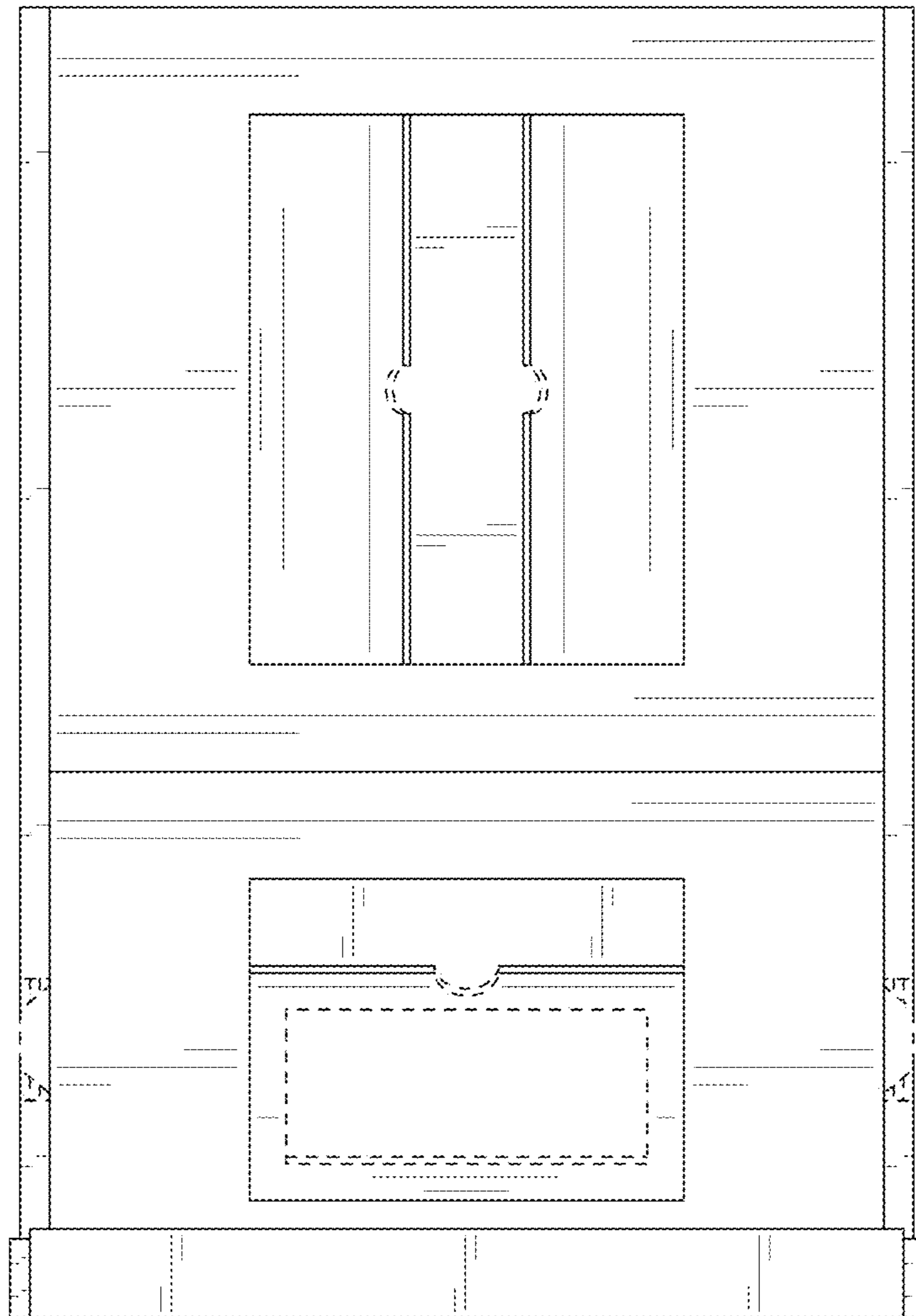


FIG. 5

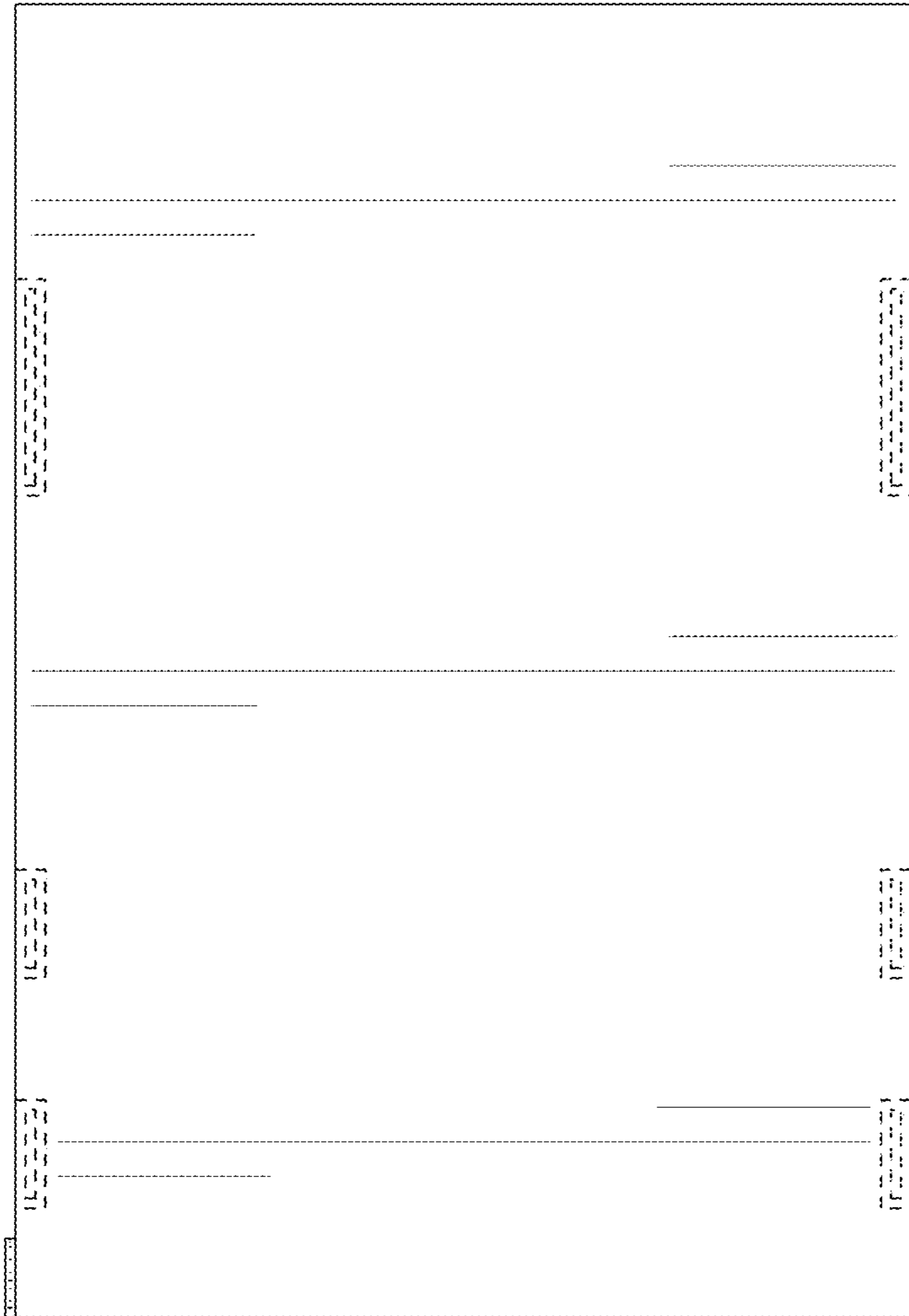


FIG. 6