



US00D872806S

(12) **United States Design Patent**
Desberg

(10) **Patent No.:** **US D872,806 S**
(45) **Date of Patent:** **** Jan. 14, 2020**

(54) **KART WITH MOVABLE VISUAL EFFECT**

(71) Applicant: **RAZOR USA LLC**, Cerritos, CA (US)

(72) Inventor: **Ian Desberg**, Cerritos, CA (US)

(73) Assignee: **RAZOR USA LLC**, Cerritos, CA (US)

(**) Term: **15 Years**

(21) Appl. No.: **29/614,136**

(22) Filed: **Aug. 16, 2017**

Related U.S. Application Data

(63) Continuation of application No. 29/575,601, filed on Aug. 26, 2016, now Pat. No. Des. 795,358, which is
(Continued)

(51) **LOC (12) Cl.** **21-01**

(52) **U.S. Cl.**
USPC **D21/428**

(58) **Field of Classification Search**
USPC D21/419, 423, 424, 425, 426, 427, 428
(Continued)

(56) **References Cited**

U.S. PATENT DOCUMENTS

2,770,074 A 11/1956 Jones
D208,483 S 9/1967 Walket
(Continued)

Primary Examiner — Cynthia M. Chin

(74) *Attorney, Agent, or Firm* — Knobbe Martens Olson & Bear, LLP

(57) **CLAIM**

The ornamental design for a kart with movable visual effect, as shown and described.

DESCRIPTION

FIG. 1 is a front perspective view of a kart with movable visual effect.

FIG. 2 is a rear perspective view of the kart with movable visual effect of FIG. 1.

FIG. 3 is a front view of the kart with movable visual effect of FIG. 1.

FIG. 4 is a rear view of the kart with movable visual effect of FIG. 1.

FIG. 5 is a left side view of the kart with movable visual effect of FIG. 1.

FIG. 6 is a right side view of the kart with movable visual effect of FIG. 1.

FIG. 7 is a top view of the kart with movable visual effect of FIG. 1.

FIG. 8 is a bottom view of the kart with movable visual effect of FIG. 1.

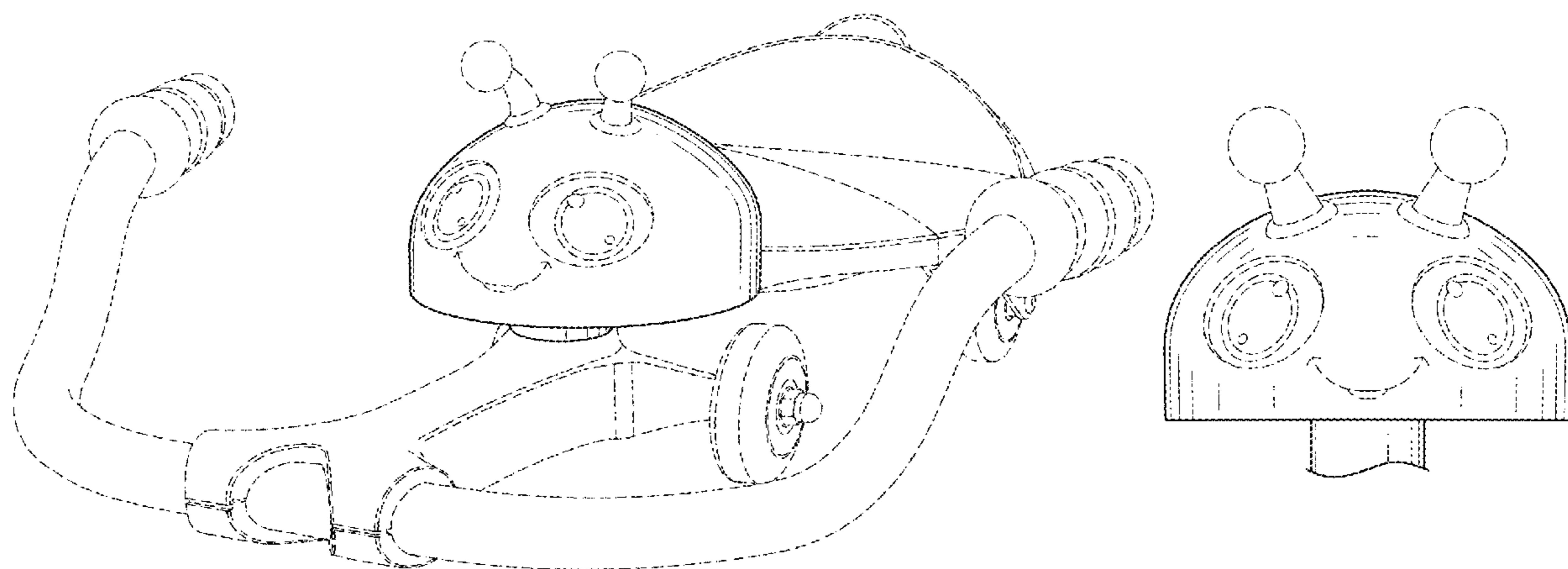
FIG. 9 illustrates a head portion of the kart with movable visual effect of FIG. 1 in a first state with the eyes in a first position relative to the openings in the head corresponding to a first position of the steering arm relative to the body. The eyes of the inner member include an outer portion or sclera, a ring portion or iris and an inner portion or pupil.

FIG. 10 illustrates the head portion of the kart with movable visual effect of FIG. 9 in a second state with the eyes in a second position relative to the openings in the head corresponding to a second position of the steering arm relative to the body turned toward the right side relative to the position of FIG. 9.

FIG. 11 illustrates the head portion of the kart with movable visual effect of FIG. 9 in a third state with the eyes in a third position relative to the openings in the head corresponding to a third position of the steering arm relative to the body turned back toward the center relative to the position of FIG. 10. The third position of FIG. 11 can be the same as the first position of FIG. 9; and,

FIG. 12 illustrates the head portion of the kart with movable visual effect of FIG. 9 in a fourth state with the eyes in a fourth position relative to the openings in the head corresponding to a fourth position of the steering arm relative to the body turned toward the left side relative to the position of FIG. 11. The four discrete positions illustrated represent movement of the inner member and eyes relative to the outer member or head along with steering movement of the steering arm.

(Continued)



FIGS. 9-12 are shown separately for ease and clarity of illustration. Portions of the kart with movable visual effect shown in broken lines forms no part of the claimed design.

1 Claim, 6 Drawing Sheets

Related U.S. Application Data

a continuation of application No. 29/515,720, filed on Jan. 26, 2015, now Pat. No. Des. 765,187.

(58) **Field of Classification Search**

CPC A63G 13/00; A63G 13/06; A63G 13/10; A63G 15/00; A63G 15/02; A63G 15/04; B62B 7/00; B62B 7/002; B62B 7/004; B62B 7/006; B62B 7/008; B62B 7/02; B62B 7/04; B62B 7/042; B62B 7/044; B62B 7/06; B62B 7/12; B62B 7/126; B62B 7/14; B62B 7/142; B62B 7/145; B62B 7/147; B62B 9/00; B62B 9/28

See application file for complete search history.

(56) **References Cited**

U.S. PATENT DOCUMENTS

3,663,038 A 5/1972 Hendricks
D228,400 S 9/1973 Navok

D230,755 S	3/1974	Brightbill	
4,200,304 A	4/1980	Hwang	
D257,375 S	10/1980	Nottingham	
4,264,080 A	4/1981	Kassai	
D270,848 S	10/1983	Echterling	
D278,736 S	5/1985	Klawitter	
D283,905 S	5/1986	Kane	
4,759,557 A	7/1988	Kassai	
D320,053 S	9/1991	Klawitter	
D353,844 S	12/1994	Chiang	
D363,938 S	11/1995	Kahng	
D444,825 S	7/2001	Child	
6,561,534 B2	5/2003	Gu	
D582,992 S *	12/2008	Alais	D21/426
D606,596 S	12/2009	Kruger	
D640,348 S *	6/2011	Oedekoven	D21/650
D695,360 S	12/2013	Li	
9,033,356 B2	5/2015	Xiao	
9,132,359 B2	9/2015	Desberg	
9,139,248 B2	9/2015	Xiao	
9,375,647 B2	6/2016	Desberg	
D765,187 S	8/2016	Desberg	
9,579,558 B2	2/2017	Desberg	
D795,358 S	8/2017	Desberg	
9,802,107 B2	10/2017	Desberg	
D813,314 S *	3/2018	Montagne	D21/426
2002/0113404 A1	8/2002	Yang	
2004/0239063 A1 *	12/2004	Dermigny	A63C 17/0026 280/87.01
2005/0236800 A1	10/2005	Lai	
2014/0217694 A1	8/2014	Fitzwater	
2018/0133585 A1	5/2018	Desberg	

* cited by examiner

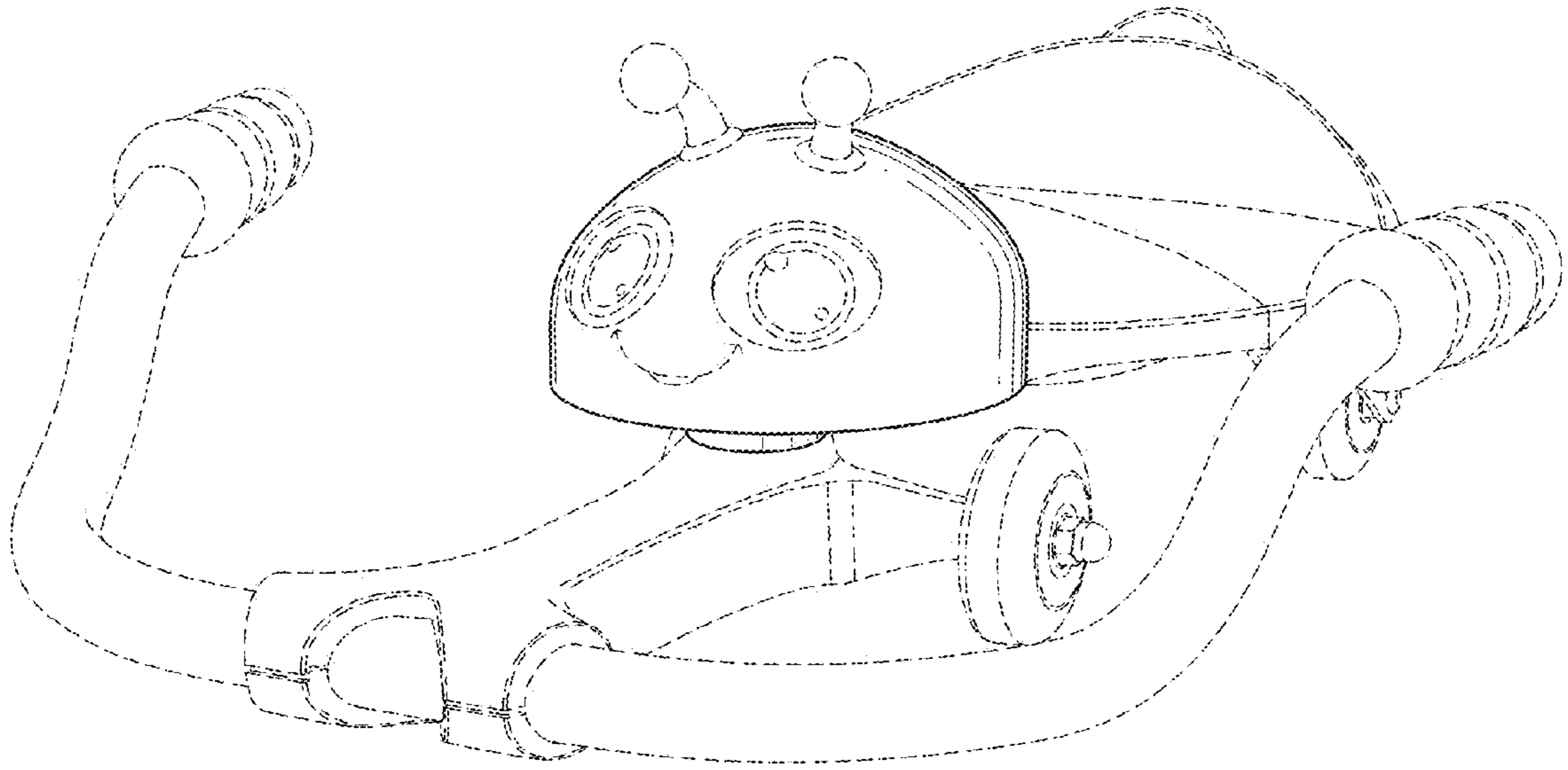


FIG. 1

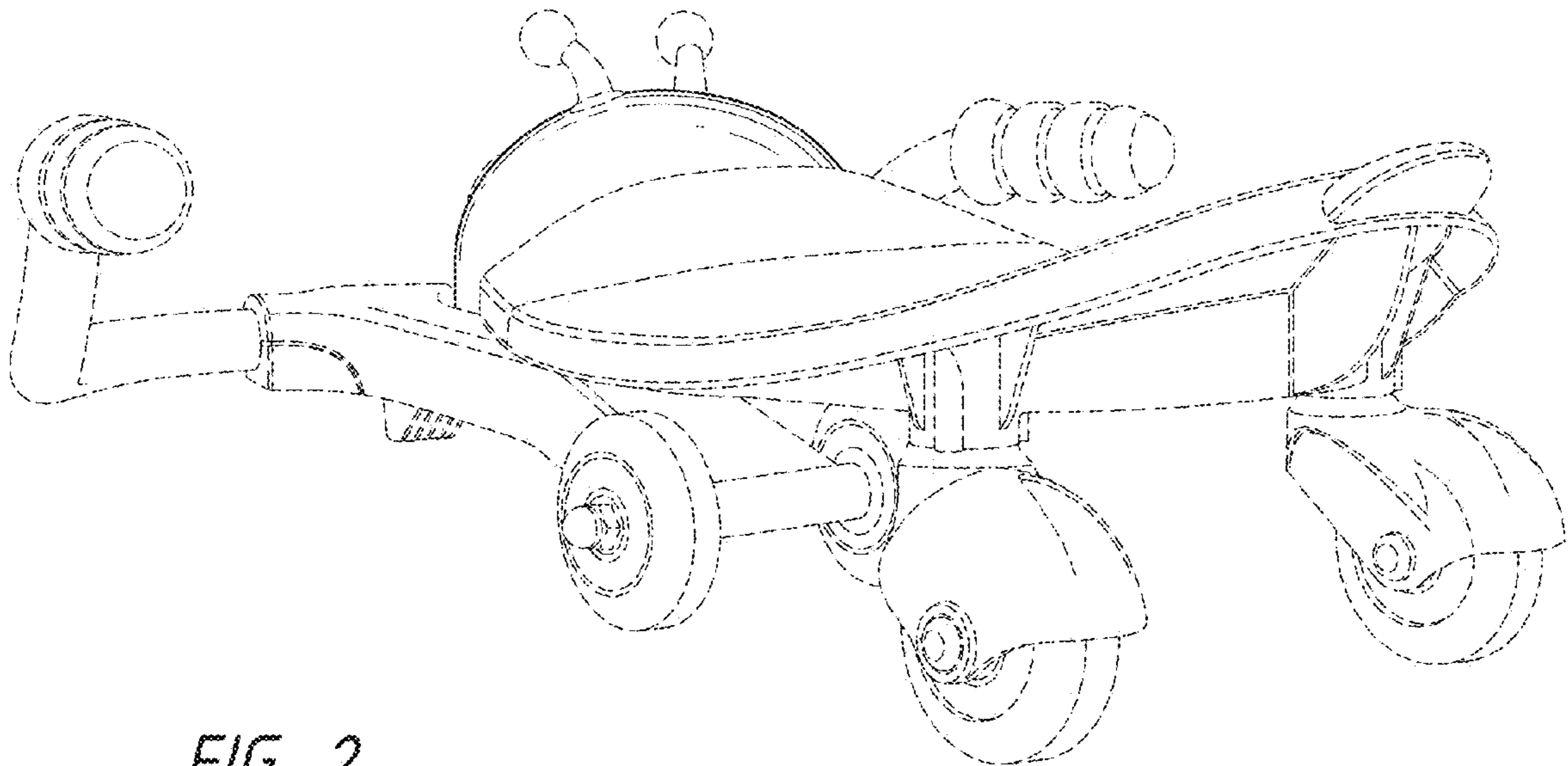


FIG. 2

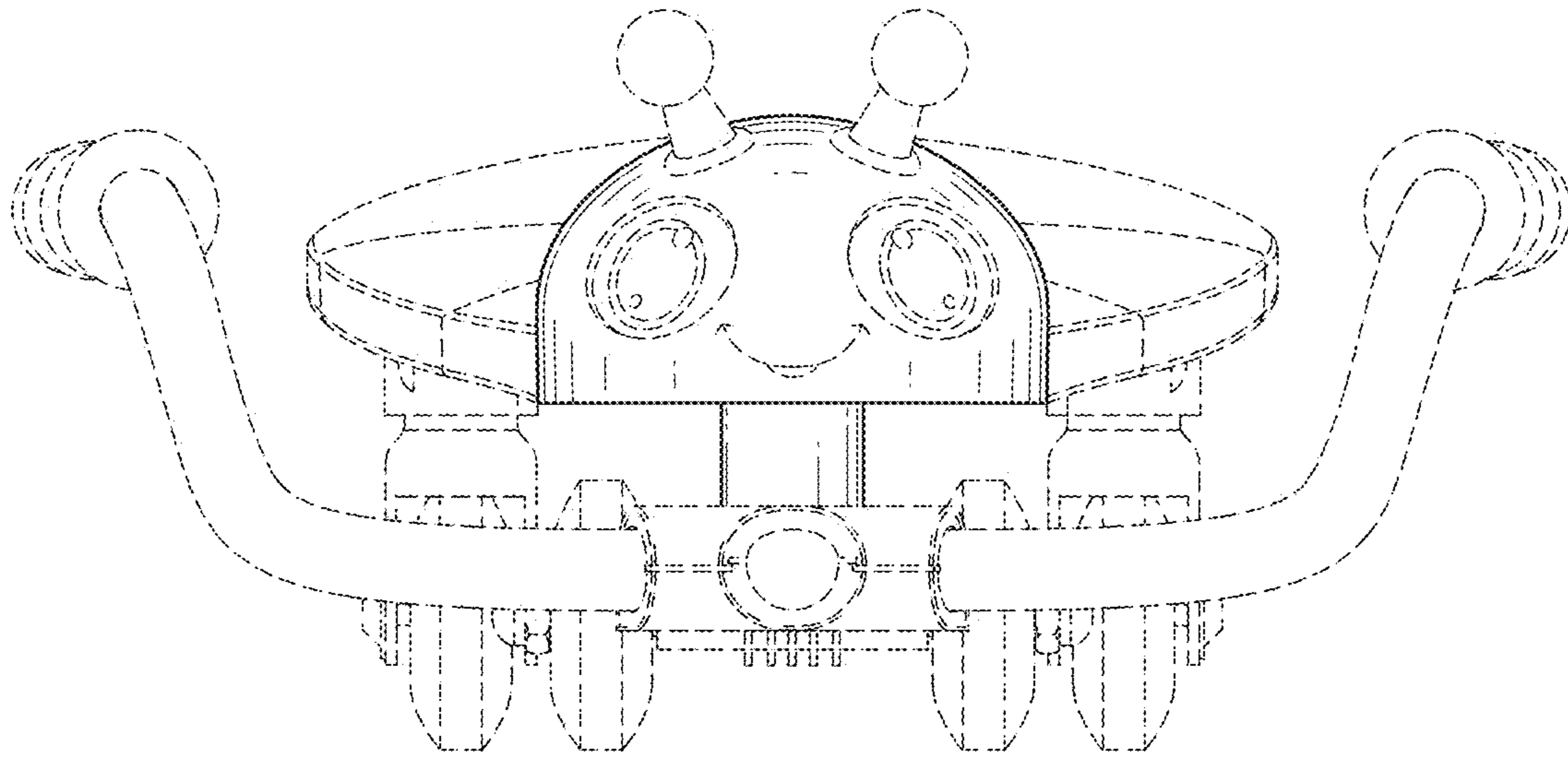


FIG. 3

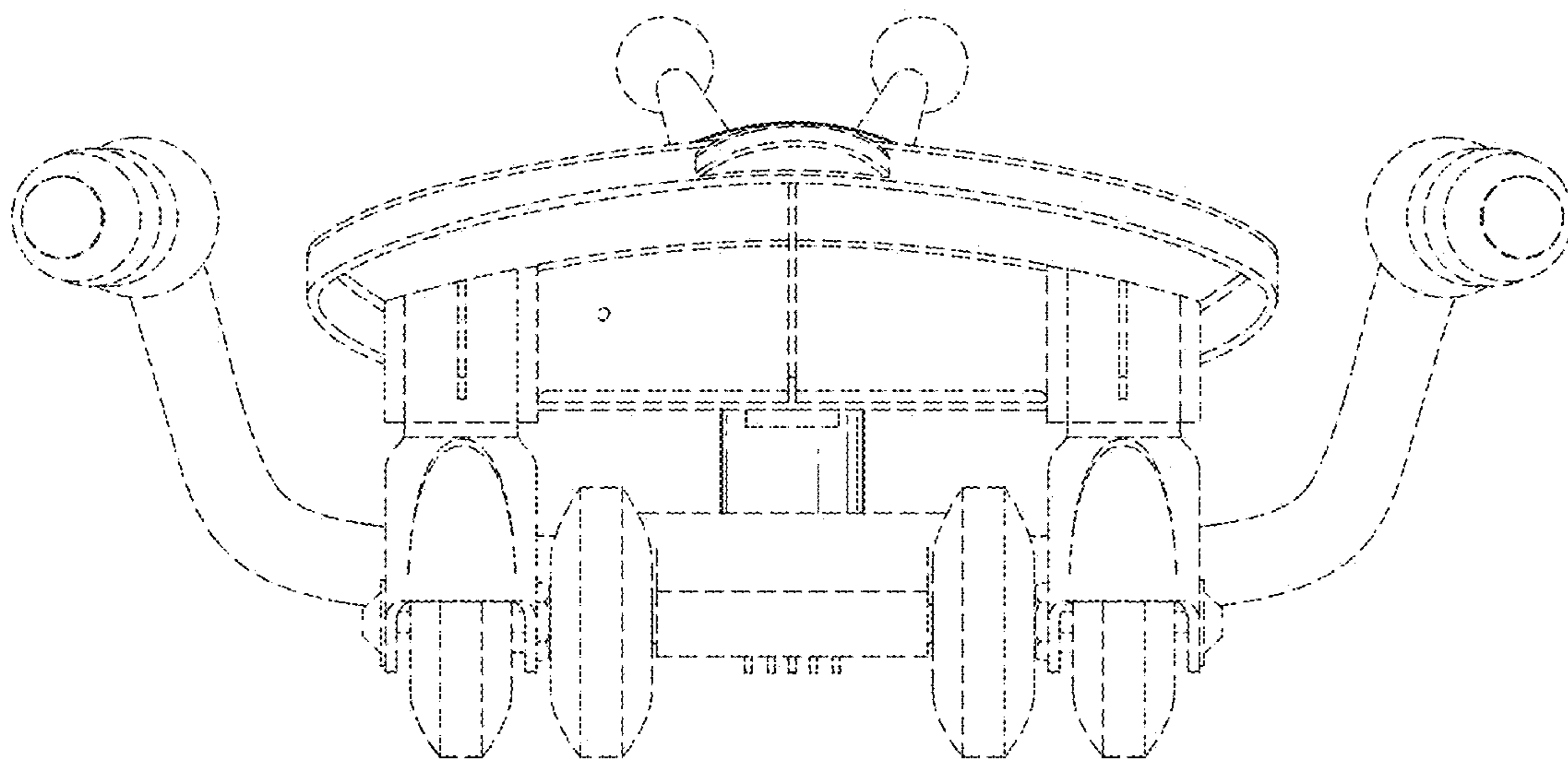


FIG. 4

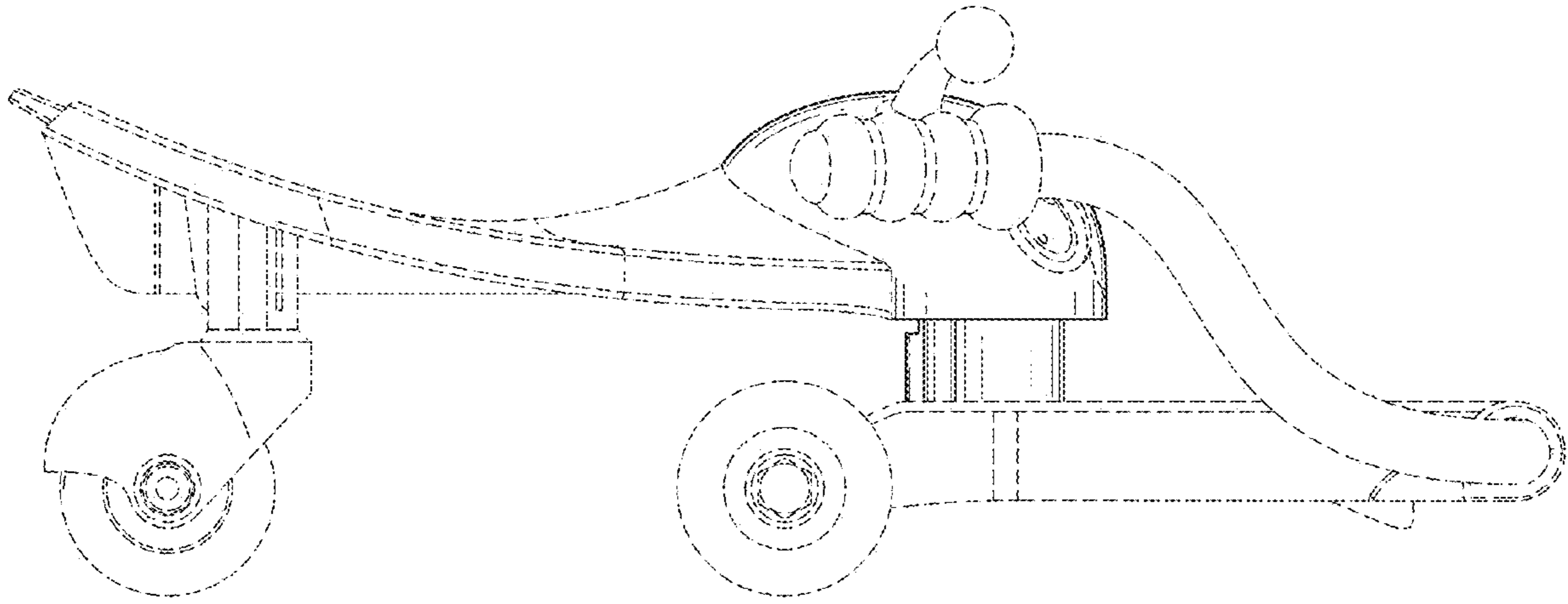


FIG. 5

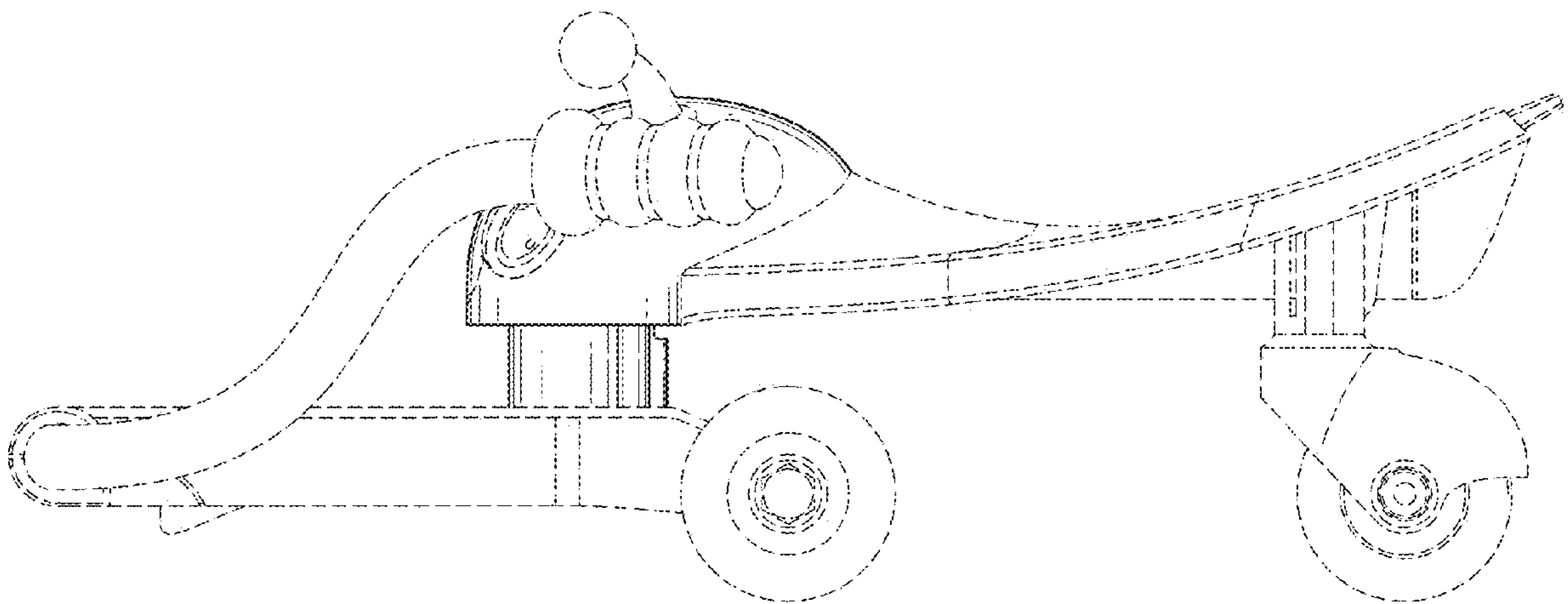


FIG. 6

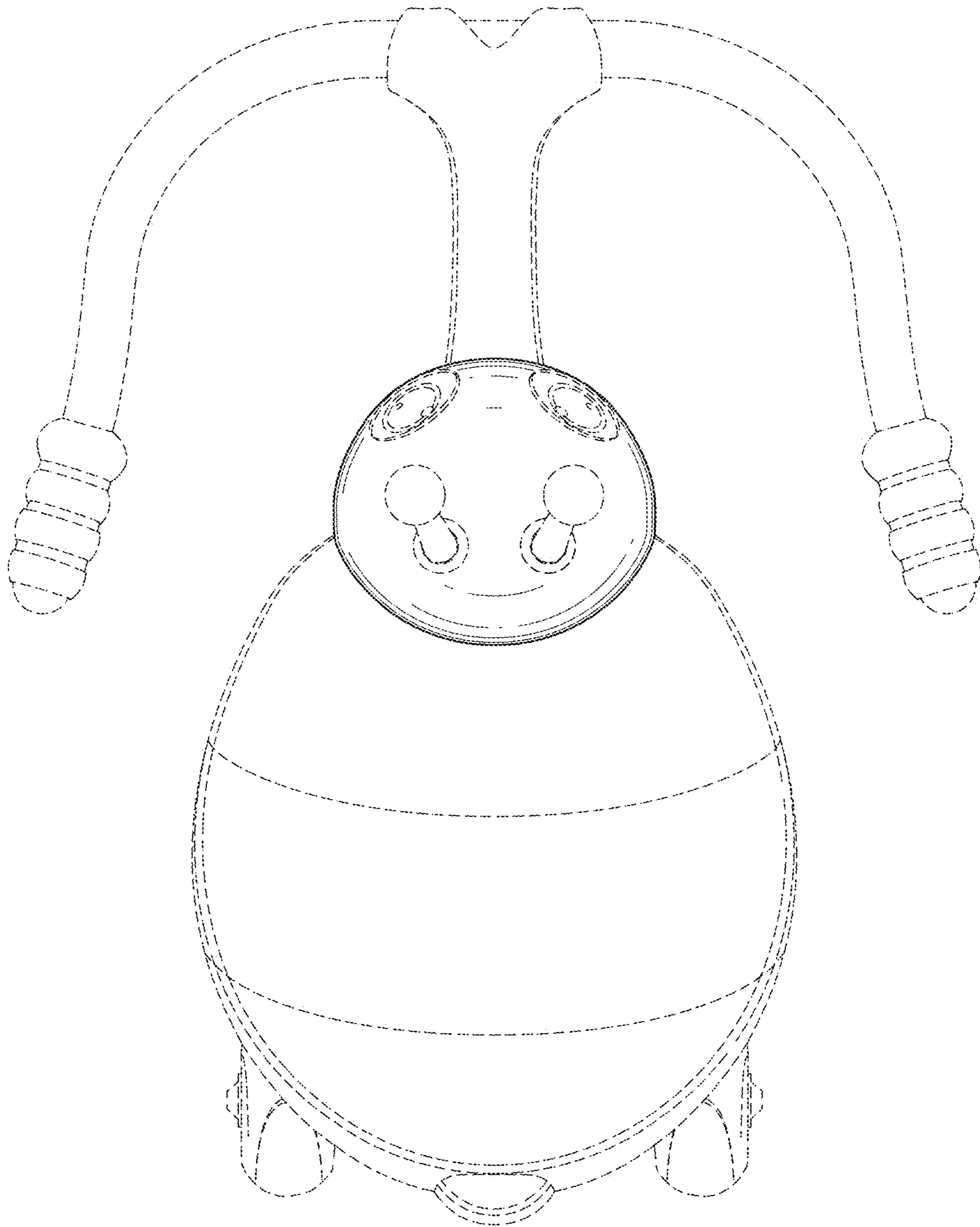


FIG. 7

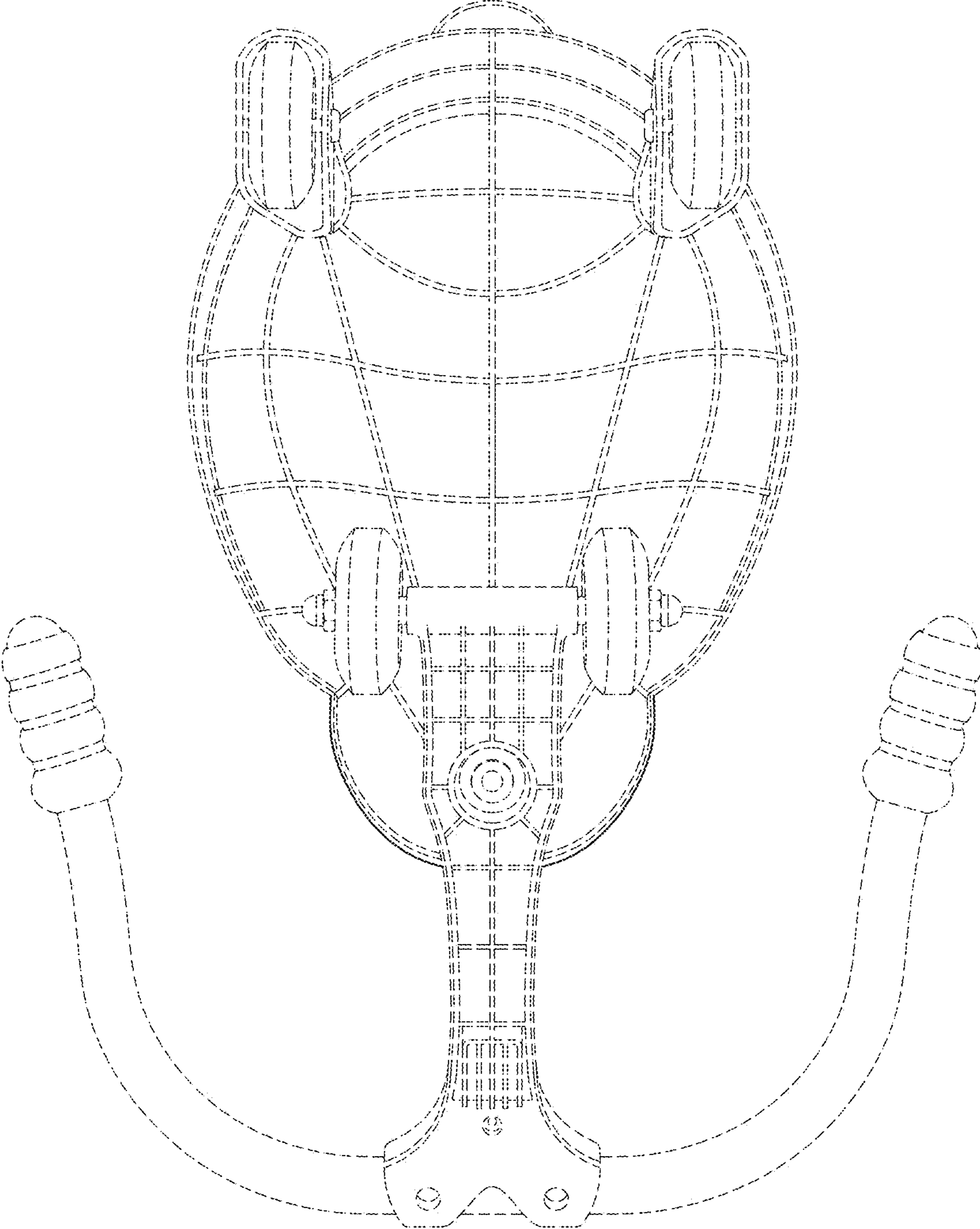


FIG. 8

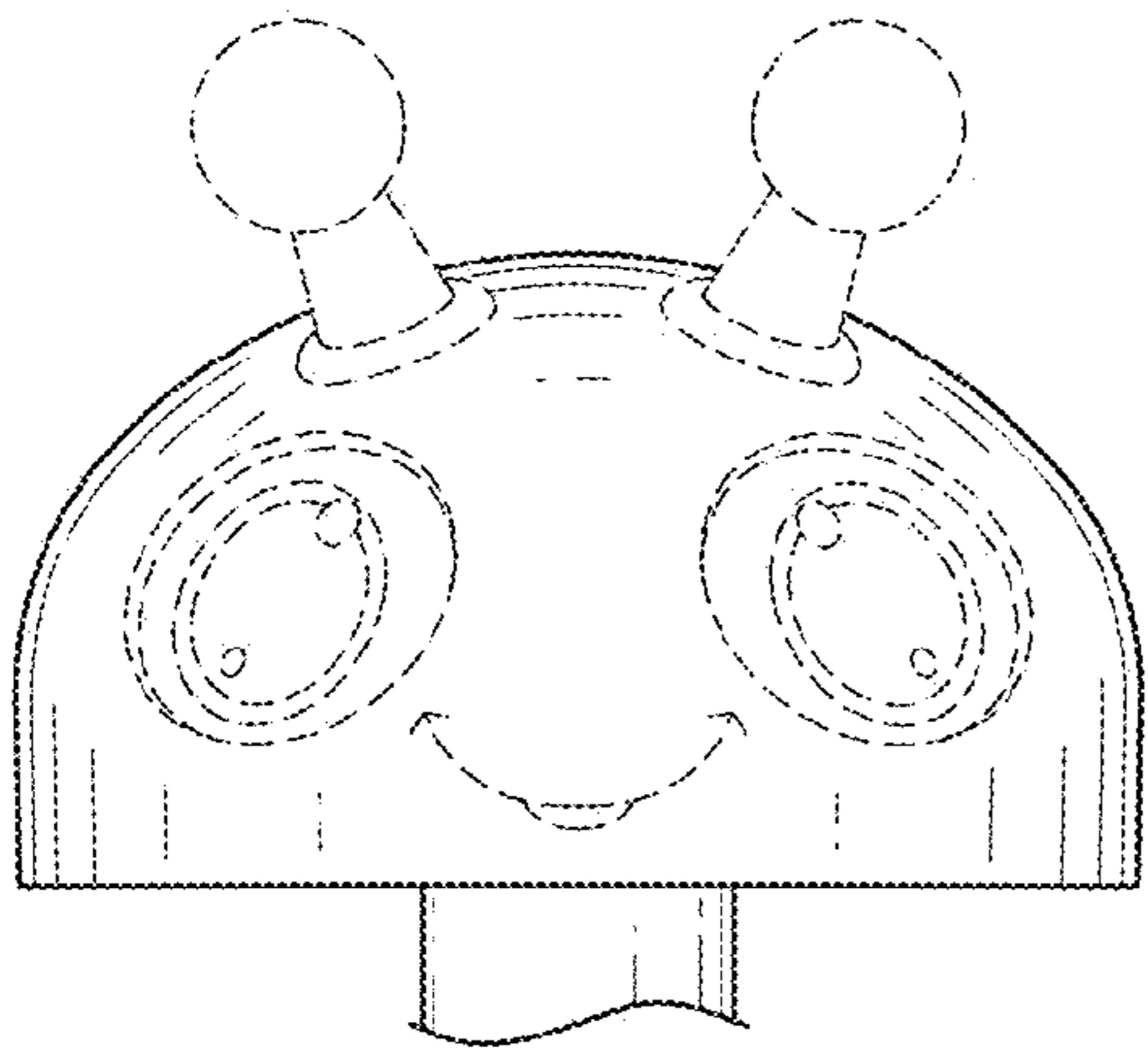


FIG. 9

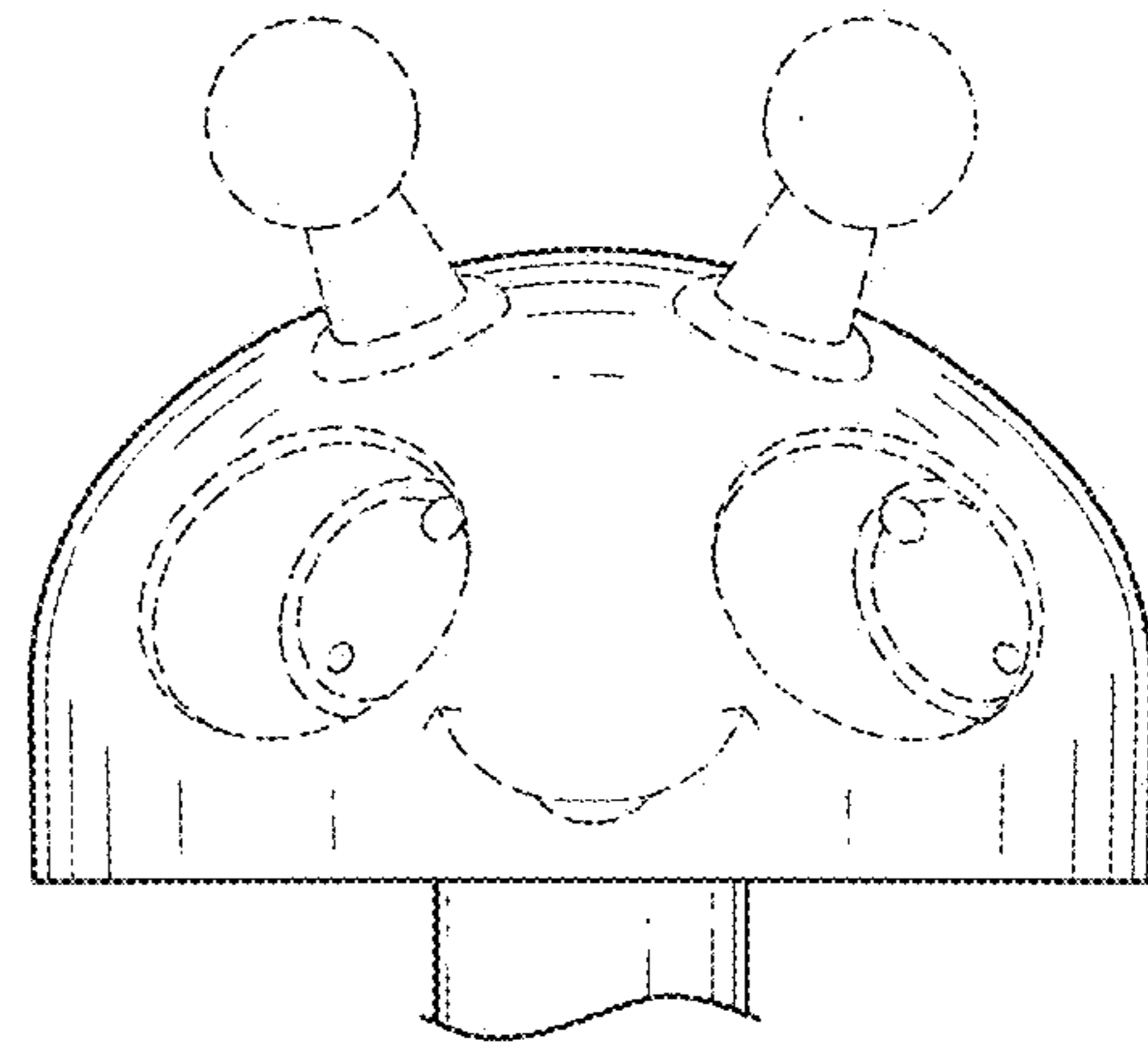


FIG. 10

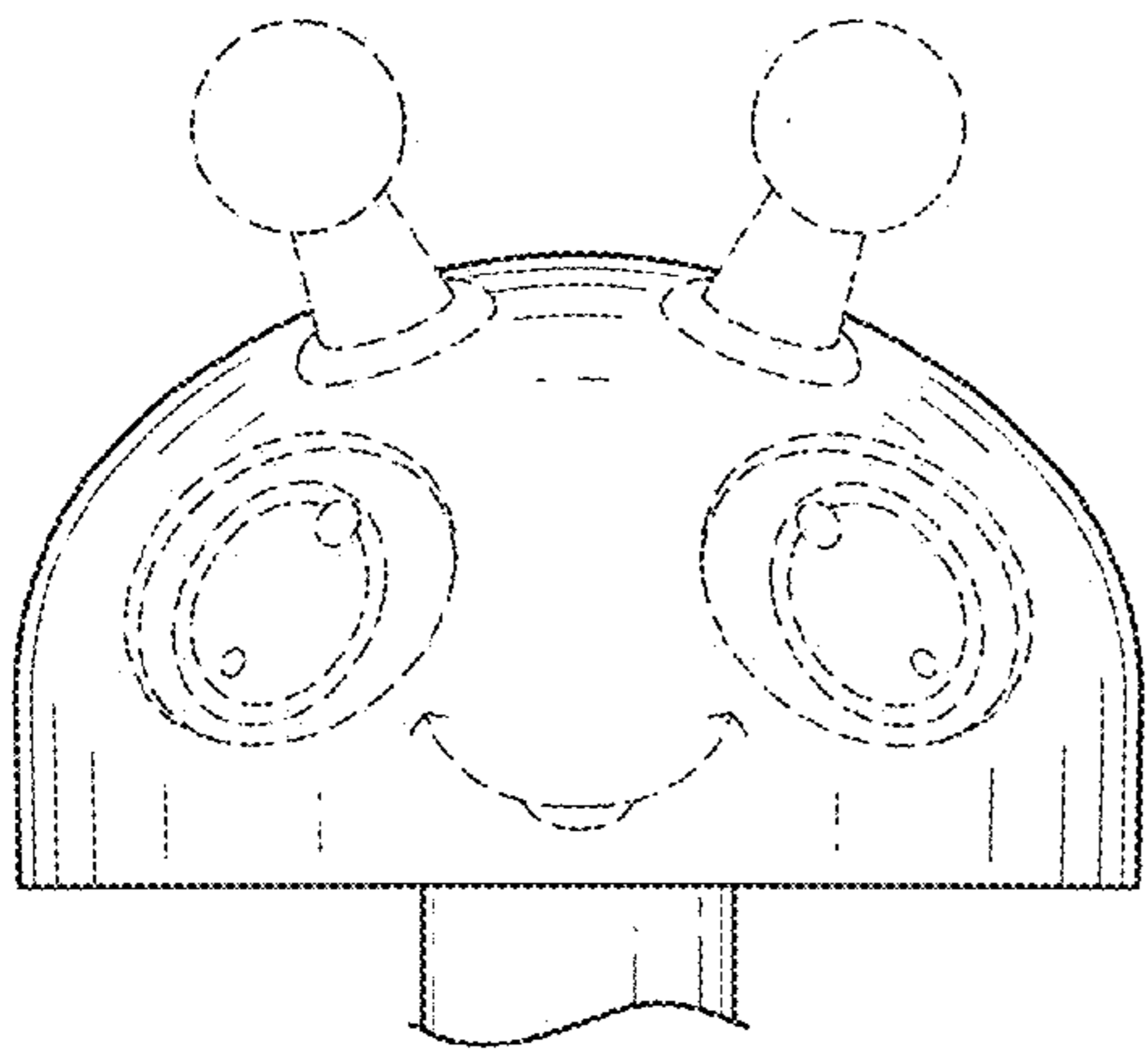


FIG. 11

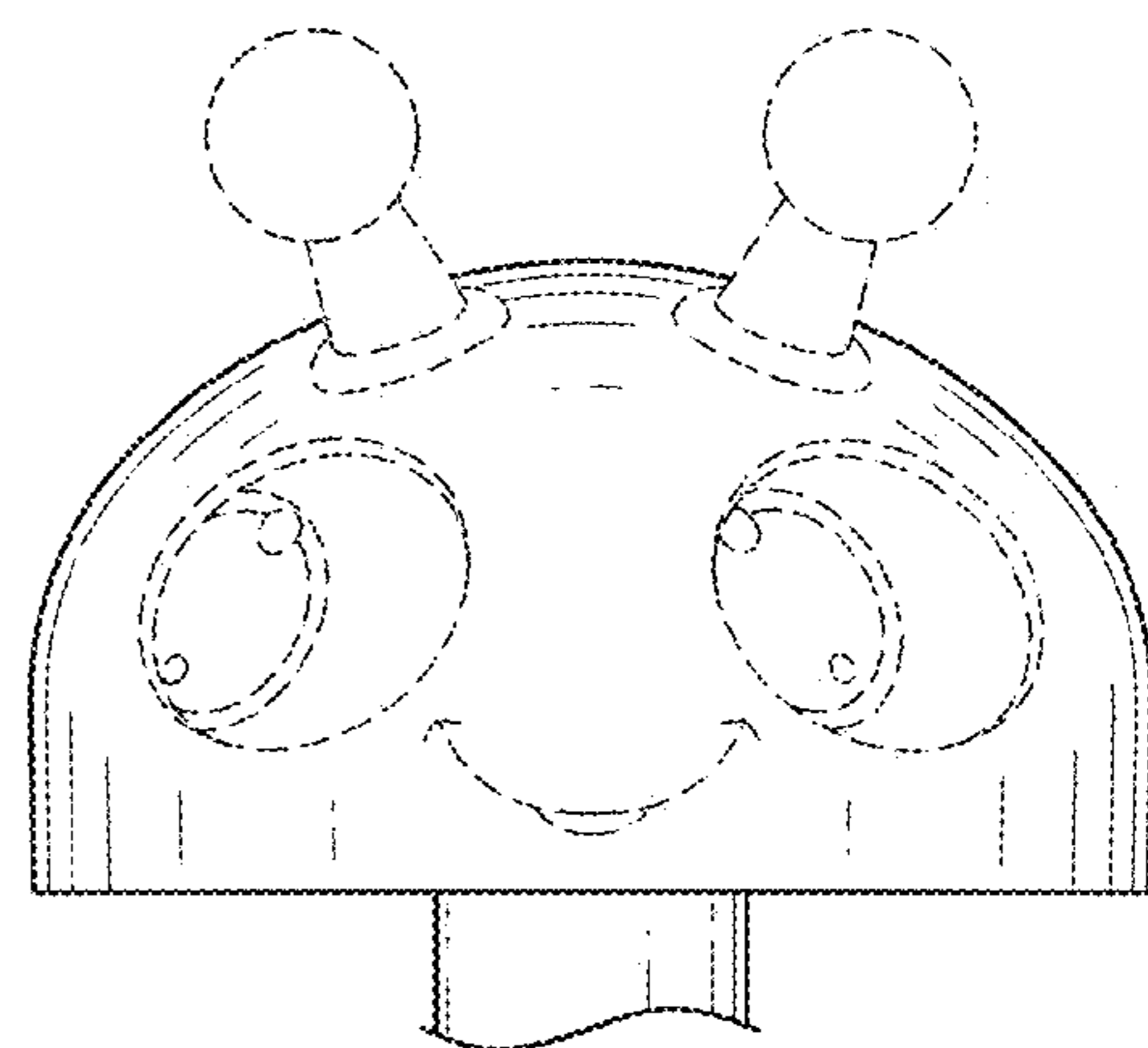


FIG. 12