



US00D872805S

(12) **United States Design Patent**
Desberg

(10) **Patent No.:** **US D872,805 S**
(45) **Date of Patent:** **** Jan. 14, 2020**

- (54) **KART**
- (71) Applicant: **RAZOR USA LLC**, Cerritos, CA (US)
- (72) Inventor: **Ian Desberg**, Cerritos, CA (US)
- (73) Assignee: **Razor USA LLC**, Cerritos, CA (US)
- (**) Term: **15 Years**
- (21) Appl. No.: **29/634,011**
- (22) Filed: **Jan. 17, 2018**

- D215,861 S 11/1969 Cook
- D220,509 S 4/1971 Schreckengost
- 3,604,722 A 9/1971 Boley
- 3,870,334 A 3/1975 Cole
- D251,324 S 3/1979 Vaughn
- D252,651 S 8/1979 Tepper
- D254,380 S 3/1980 Thomas
- D258,368 S 2/1981 Cornish
- D266,100 S 9/1982 Miller
- 4,359,231 A 11/1982 Mulcahy
- D276,058 S 10/1984 Rogers
- 4,484,646 A 11/1984 Smith
- 4,516,648 A 5/1985 Berger
- 4,562,893 A 1/1986 Cunard
- 4,573,696 A 3/1986 Buroff
- 4,645,257 A 2/1987 Salmon
- D292,301 S 10/1987 Lohmann

Related U.S. Application Data

- (63) Continuation of application No. 29/604,472, filed on May 17, 2017, now Pat. No. Des. 808,470, which is a continuation of application No. 29/574,741, filed on Aug. 18, 2016, now Pat. No. Des. 787,610, which is a continuation of application No. 29/530,064, filed on Jun. 12, 2015, now Pat. No. Des. 764,601.

- (51) **LOC (12) Cl.** **21-01**
- (52) **U.S. Cl.**
USPC **D21/426**

- (58) **Field of Classification Search**
USPC D21/419, 421, 423, 426, 662, 760, 765,
D21/766, 769, 771, 776, 803; D12/1, 6,
D12/130; D34/23, 28
CPC . A63C 17/00; A63C 17/0026; A63C 17/0033;
A63C 17/01; A63C 17/04; A63C 17/265;
A63C 17/26; A63C 17/28; B62K 3/002
See application file for complete search history.

(56) **References Cited**

U.S. PATENT DOCUMENTS

- 2,219,905 A 10/1940 Prickman
- D213,370 S 2/1969 Cherry
- 3,437,161 A 4/1969 Ufford
- D214,576 S 7/1969 King

(Continued)

Primary Examiner — Cynthia M. Chin

(74) *Attorney, Agent, or Firm* — Knobbe Martens Olson & Bear, LLP

(57) **CLAIM**

The ornamental design for a kart, as shown and described.

DESCRIPTION

FIG. 1 is a front perspective view of a kart, which embodies my design.

FIG. 2 is a front view of the kart of FIG. 1.

FIG. 3 is a rear view of the kart of FIG. 1.

FIG. 4 is a left side view of the kart of FIG. 1.

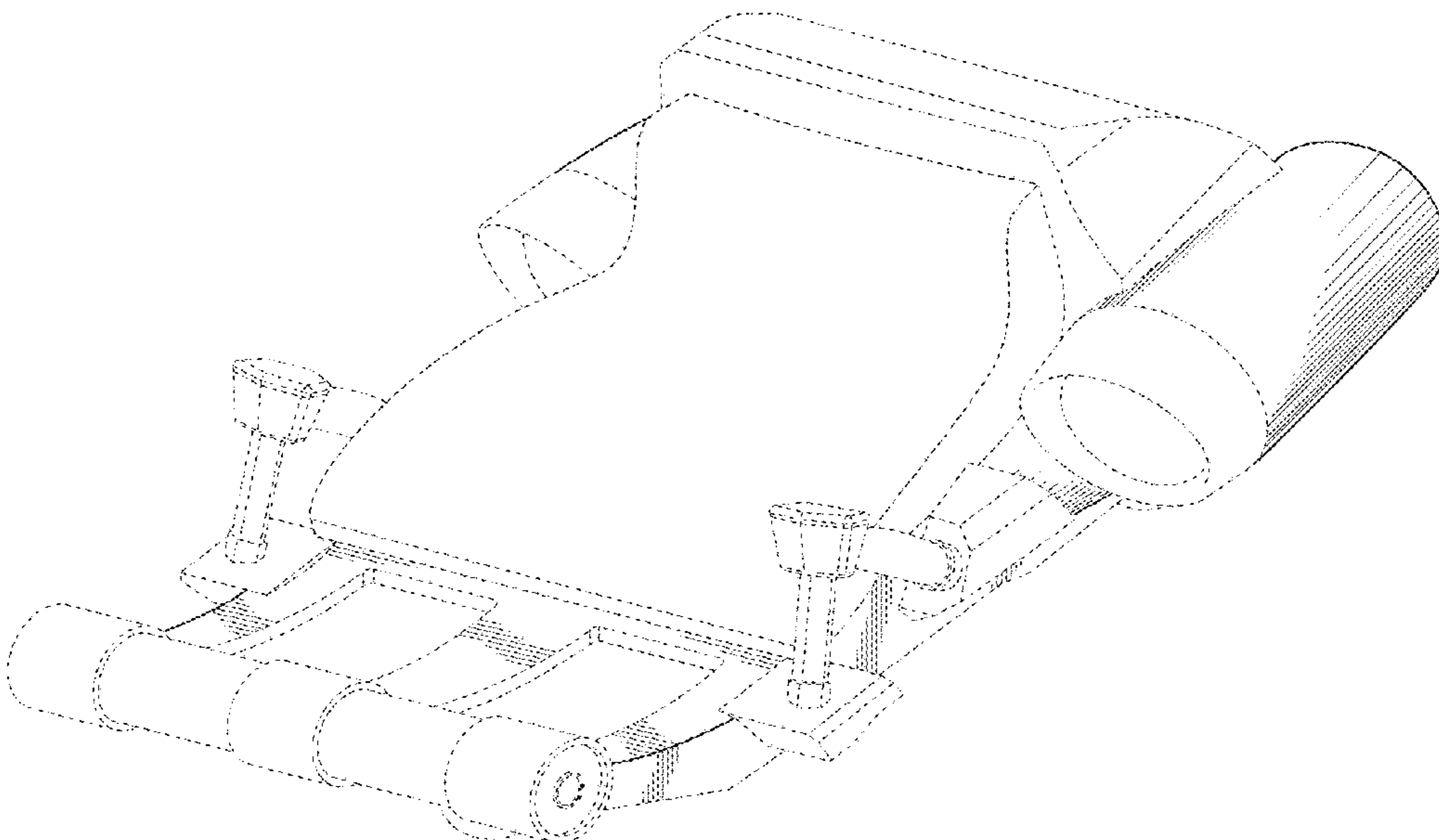
FIG. 5 is a ride side view of the kart of FIG. 1.

FIG. 6 is a top view of the kart of FIG. 1; and,

FIG. 7 is a bottom view of the kart of FIG. 1.

The broken lines immediately adjacent the shaded areas represent the bounds of the claim and all other broken lines represent portions of the kart that form no part of the claimed design. None of the broken lines form a part of the claimed design.

1 Claim, 5 Drawing Sheets



(56)

References Cited

U.S. PATENT DOCUMENTS

D300,127 S 3/1989 Poss
 D301,497 S 6/1989 Gassaway
 4,875,694 A 10/1989 Hamrick
 4,896,899 A 1/1990 Lawrence
 D316,281 S 4/1991 Mirisch, Sr.
 5,046,750 A 9/1991 Heubl
 5,069,469 A 12/1991 Rosengrant
 5,265,690 A 11/1993 Amundsen et al.
 D343,424 S 1/1994 Lamb
 D368,743 S 4/1996 Amburgey
 D382,917 S 8/1997 Brodoski
 D384,706 S 10/1997 Temple
 D406,684 S 3/1999 Pool
 D412,138 S 7/1999 Triarsi et al.
 6,026,923 A * 2/2000 Uphaus B60G 99/006
 180/312
 D437,364 S 2/2001 Jang
 D440,607 S 4/2001 Mahlow
 D446,827 S 8/2001 You et al.
 6,276,700 B1 8/2001 Way et al.
 D464,999 S 10/2002 Gu
 D465,814 S 11/2002 Koveleski
 D466,560 S 12/2002 Stolpmann
 D469,819 S 2/2003 Nicolle et al.
 D471,936 S 3/2003 Tilbor
 D512,467 S 12/2005 Hadley
 7,114,742 B1 10/2006 Sterns
 7,198,322 B2 4/2007 Savo
 D562,914 S 2/2008 Oveson et al.
 7,328,764 B2 2/2008 Penz
 D570,572 S 6/2008 Whiteside et al.
 7,392,877 B2 7/2008 Woods
 D582,992 S 12/2008 Alais
 D601,640 S 10/2009 McIlvain
 7,726,668 B2 6/2010 Sieb et al.
 7,823,675 B2 11/2010 Kermani

D637,660 S 5/2011 Markowitz
 7,988,402 B2 8/2011 Adams
 8,210,555 B2 7/2012 Belenkov et al.
 D705,128 S 5/2014 Patterson et al.
 8,801,005 B1 8/2014 Flickner
 D761,700 S 7/2016 Kermani
 D764,600 S 8/2016 Desberg
 D764,601 S 8/2016 Desberg
 D766,780 S 9/2016 Fusco
 D768,788 S 10/2016 Orenstein et al.
 D771,196 S 11/2016 Chen
 D764,602 S 12/2016 Desberg
 D774,602 S 12/2016 Desberg
 D774,981 S 12/2016 Chen
 D775,282 S 12/2016 Williams et al.
 D787,609 S 5/2017 Desberg
 D787,610 S 5/2017 Desberg
 D792,811 S 7/2017 Kermani et al.
 D792,927 S 7/2017 Desberg
 D793,481 S * 8/2017 Kermani D21/426
 D793,840 S 8/2017 Chen
 D793,841 S 8/2017 Kermani et al.
 D793,912 S 8/2017 Kermani
 D807,438 S 1/2018 Desberg
 D808,470 S 1/2018 Desberg
 D818,068 S 5/2018 Southard et al.
 D830,469 S 10/2018 Kermani et al.
 10,266,197 B2 * 4/2019 Desberg B62B 7/044
 D852,893 S * 7/2019 Kermani D21/426
 D854,094 S * 7/2019 Desberg D21/425
 D854,457 S * 7/2019 Kermani D12/112
 D854,458 S * 7/2019 Kermani D12/112
 2002/0017418 A1 2/2002 Korenjack et al.
 2003/0226696 A1 12/2003 Spalinski et al.
 2006/0082066 A1 4/2006 Woods
 2010/0032223 A1 * 2/2010 Kermani A63G 25/00
 180/216
 2018/0162435 A1 6/2018 Desberg

* cited by examiner

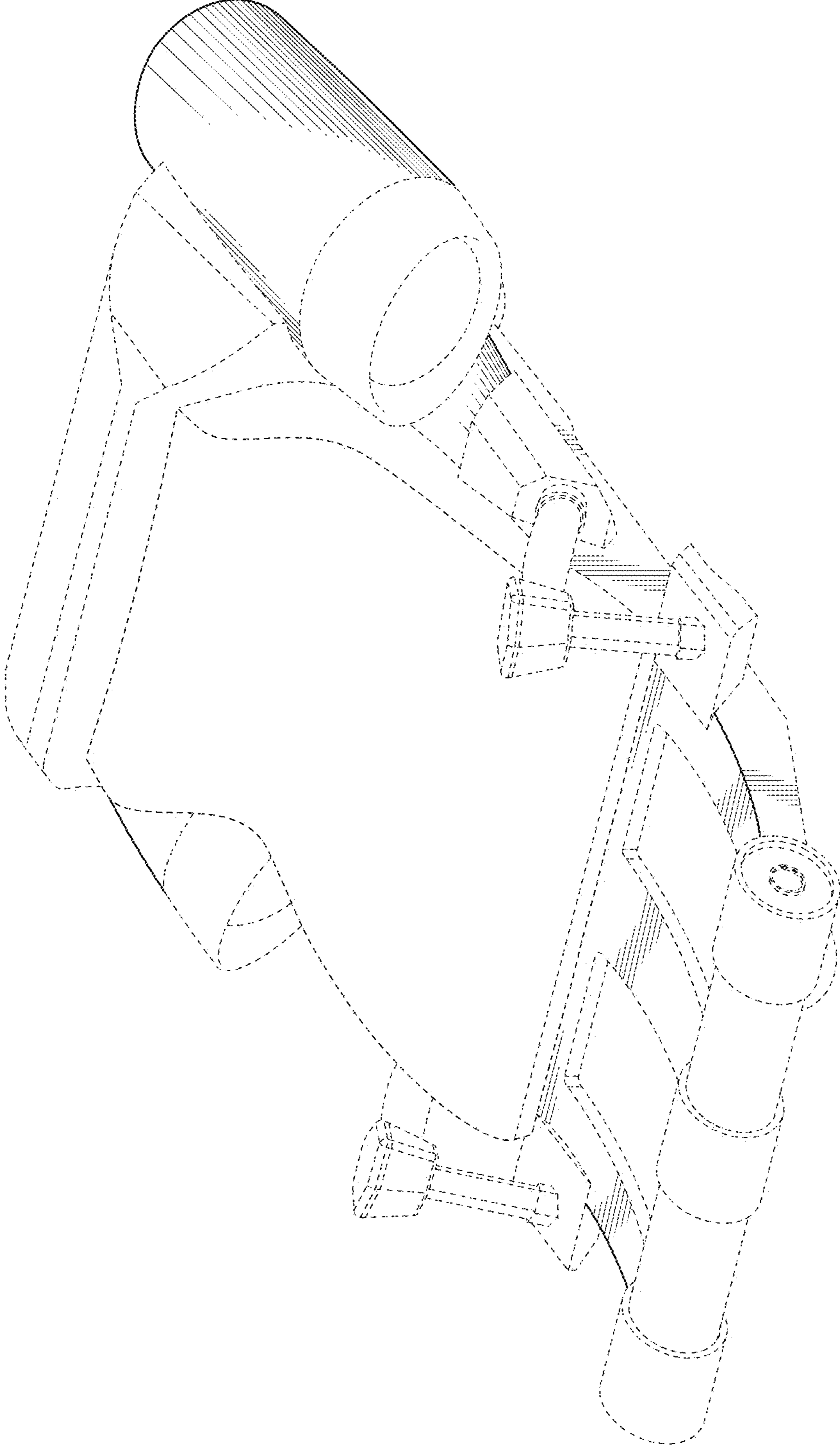


FIG. 1

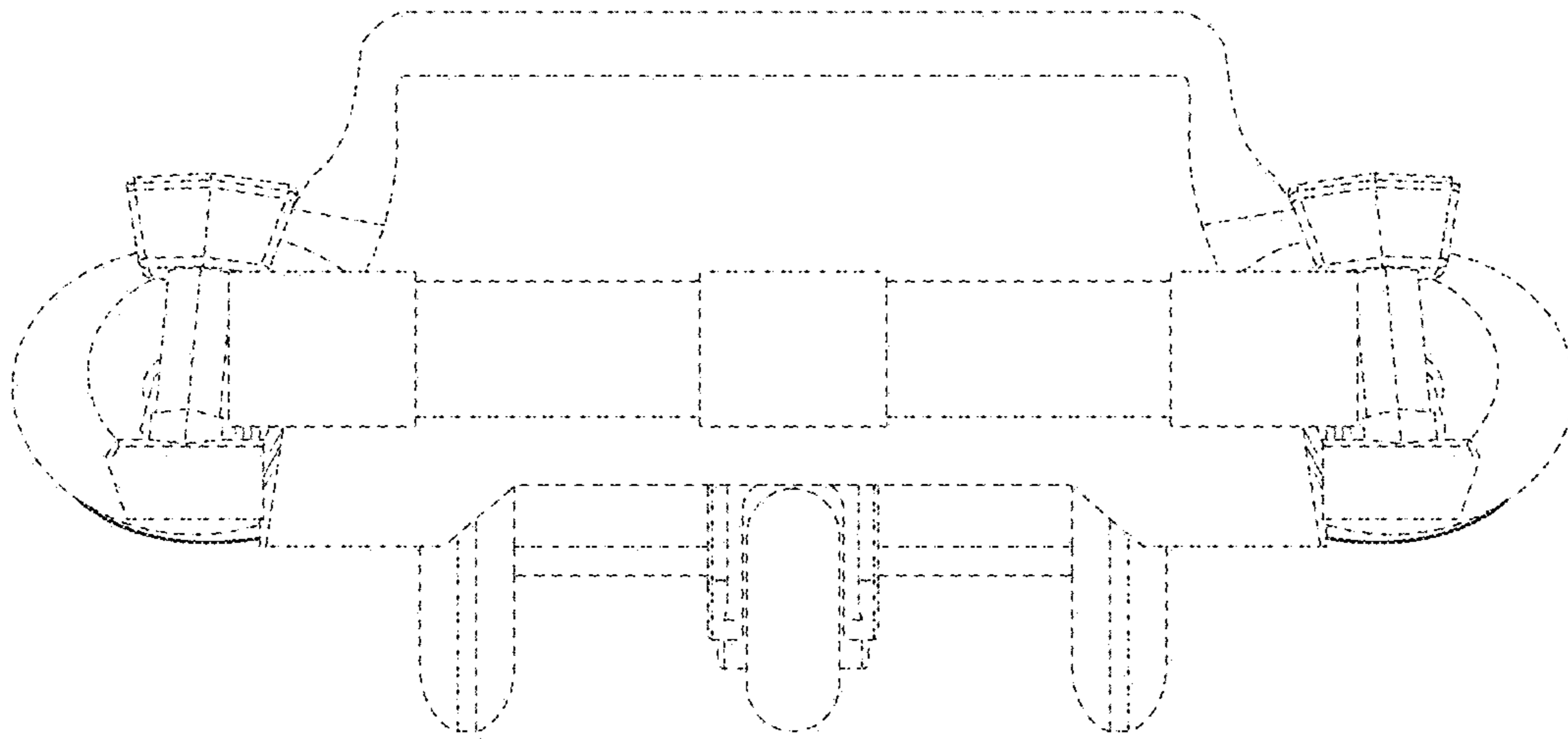


FIG. 2

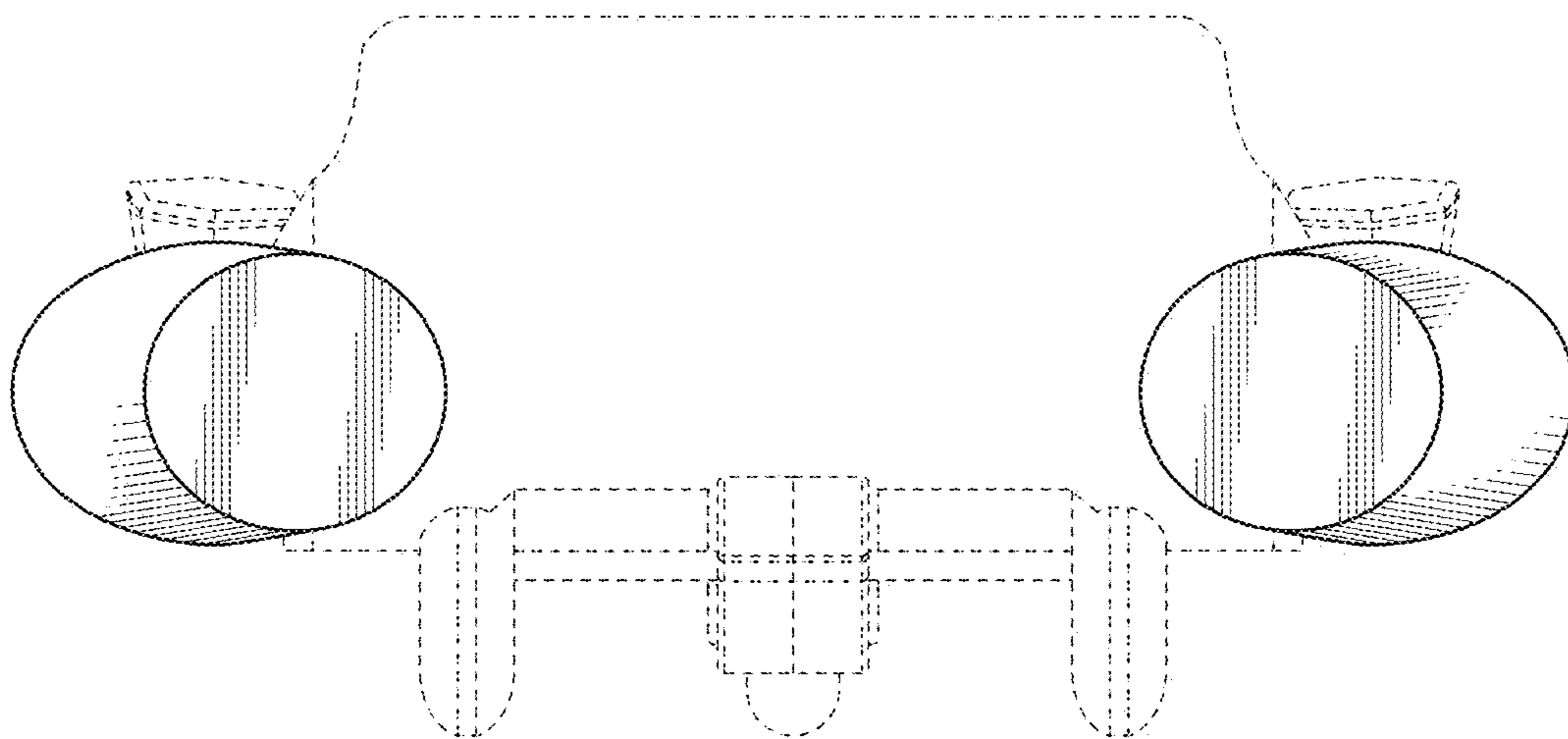


FIG. 3

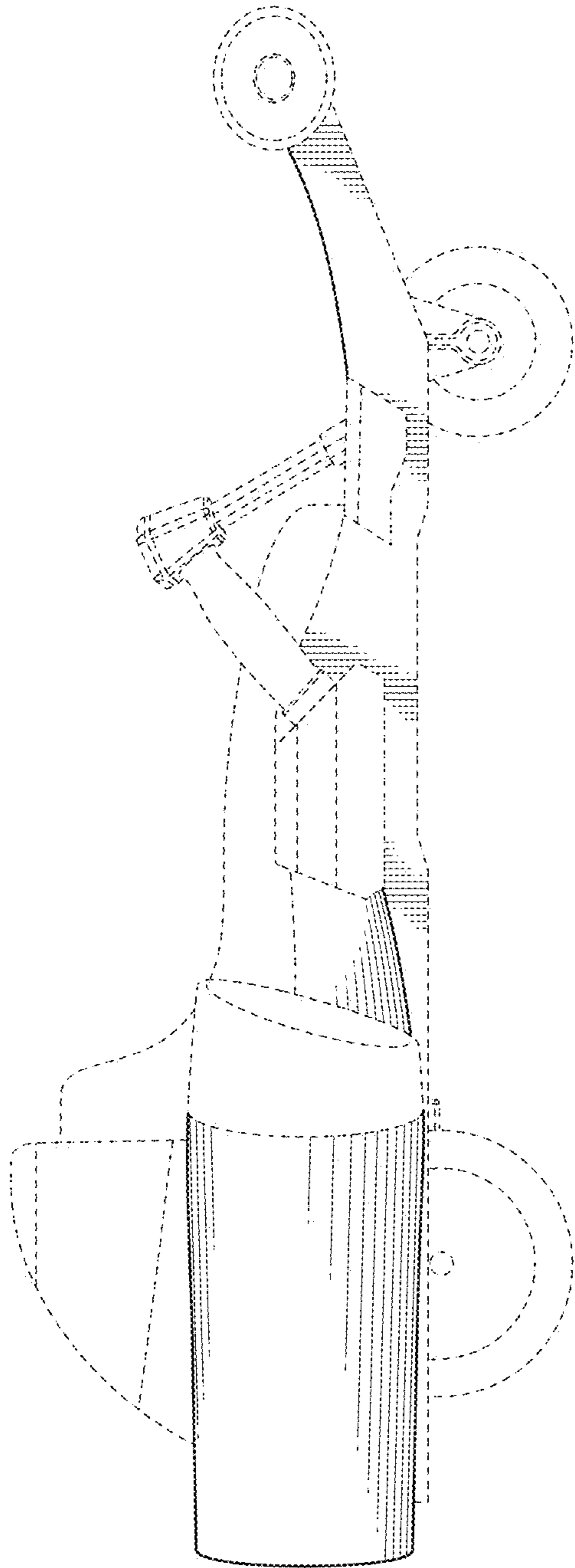


FIG. 4

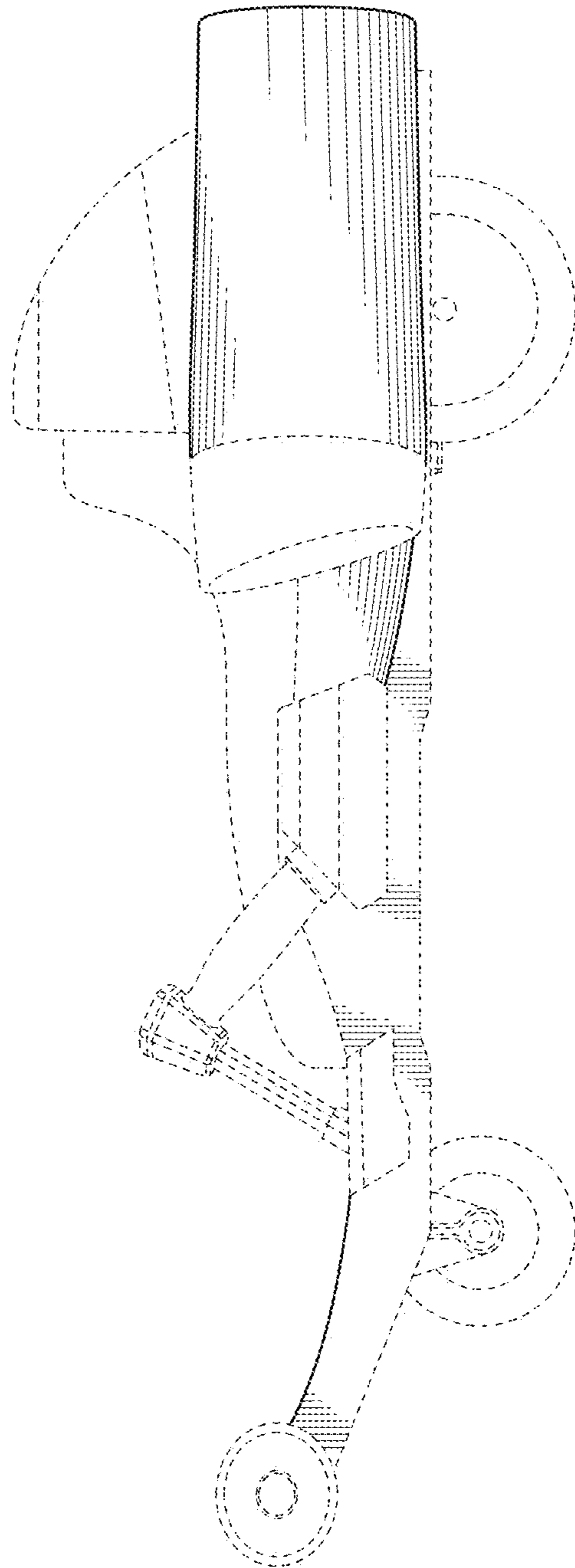


FIG. 5

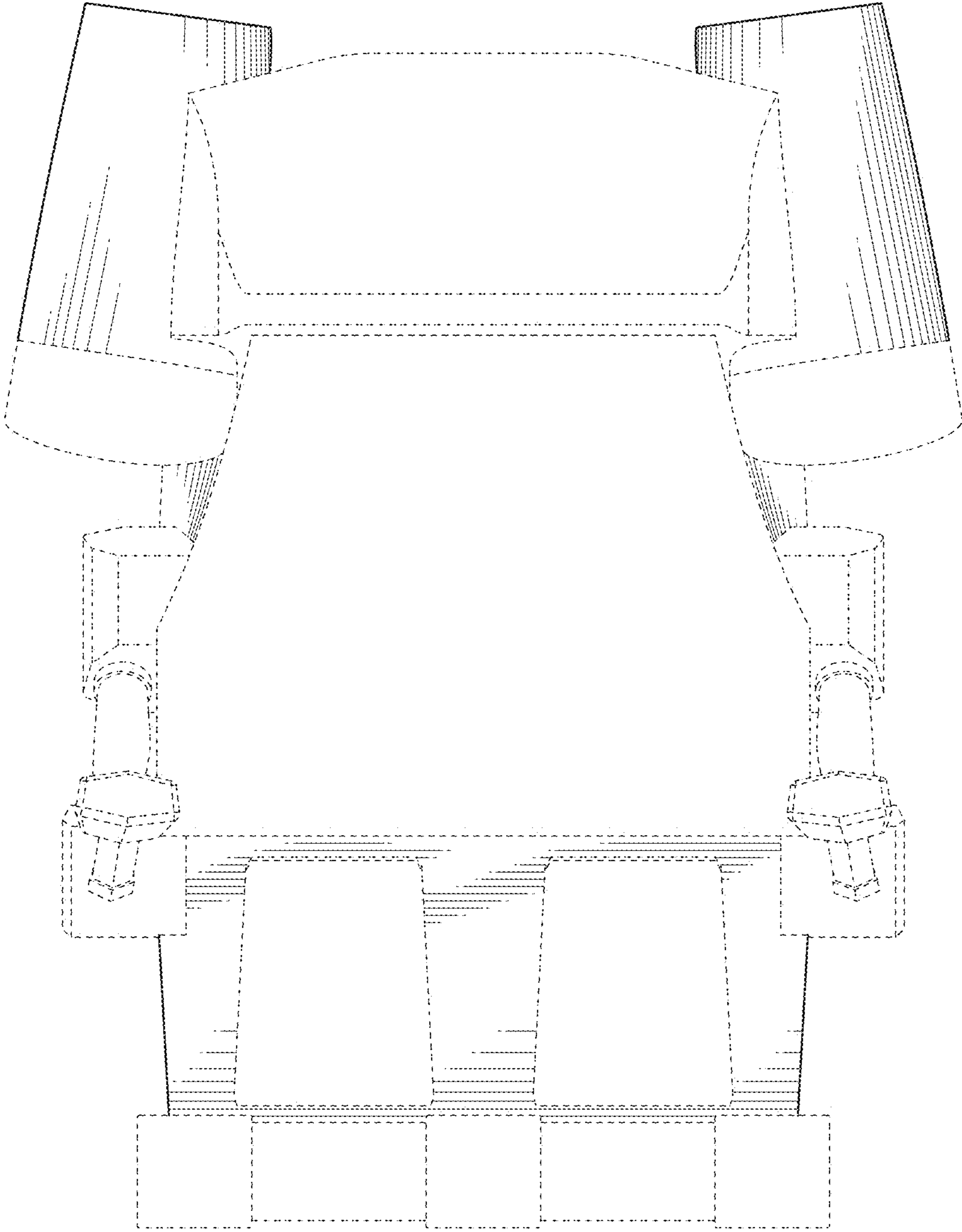


FIG. 6

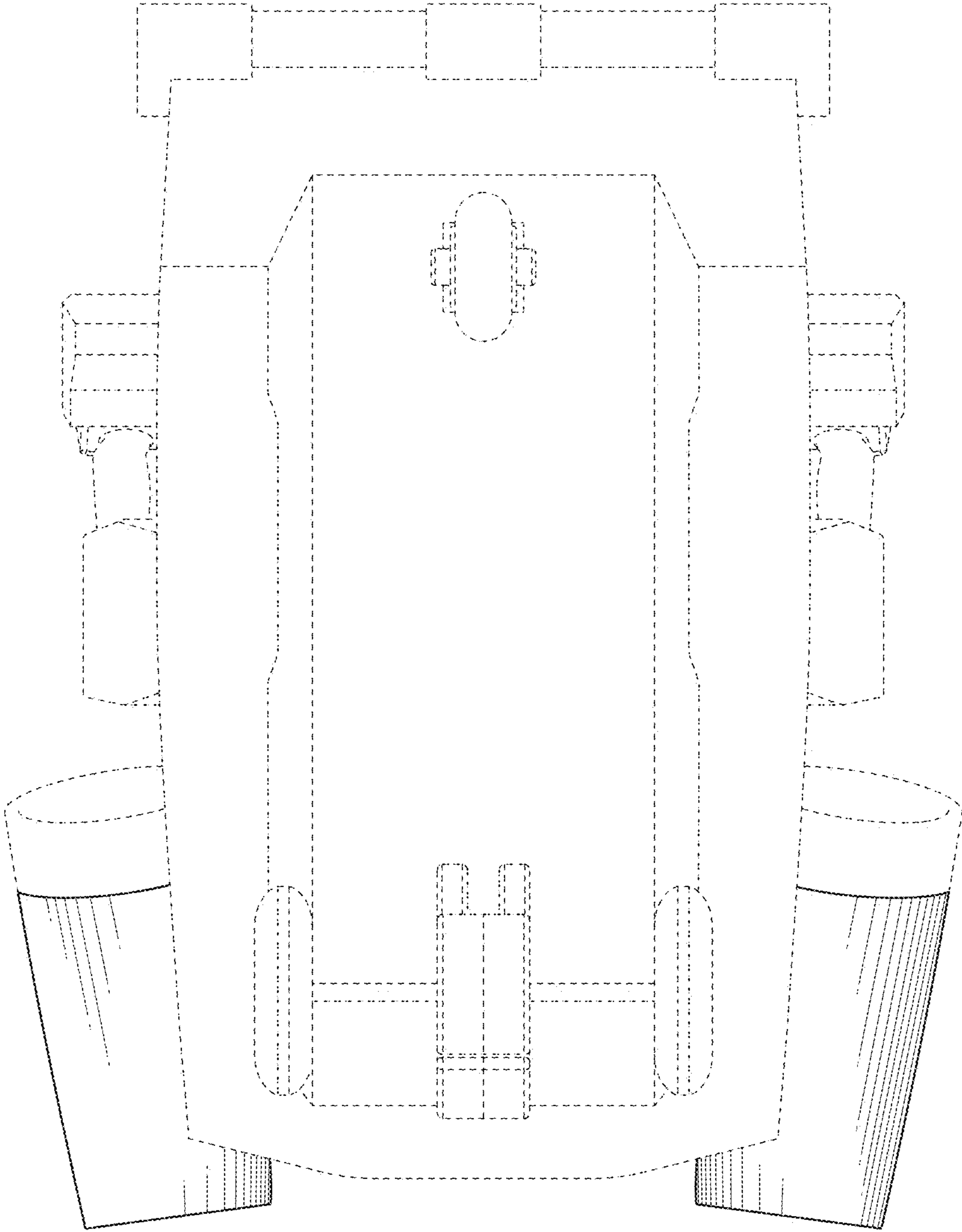


FIG. 7