



US00D872800S

(12) **United States Design Patent**
Kan

(10) **Patent No.:** **US D872,800 S**

(45) **Date of Patent:** **** Jan. 14, 2020**

(54) **WRITING BOARD**

(71) Applicant: **Hongbiao Kan**, Jiangsu (CN)

(72) Inventor: **Hongbiao Kan**, Jiangsu (CN)

(73) Assignee: **TaiChang Boardstar Office Supplies Co., Ltd.**, SuZhou (CN)

(**) Term: **15 Years**

(21) Appl. No.: **29/648,066**

(22) Filed: **May 18, 2018**

(51) **LOC (12) Cl.** **19-06**

(52) **U.S. Cl.**
USPC **D19/113**

(58) **Field of Classification Search**
USPC D19/75, 91, 20-24, 113, 114; D20/10, D20/39, 40, 41, 42; D25/140, 141; D10/61; D6/310, 311, 643, 683
CPC B43L 1/00; B43L 1/008; B43L 1/08; B43L 1/04; B43L 5/00; B43L 5/02; G09F 1/12; G09F 15/00; G09F 15/0006; G09F 15/0062; G09F 15/0068; G09F 15/0012; G09F 2007/1834; G09F 2007/1856
See application file for complete search history.

5,565,253 A * 10/1996 Crawford B43L 5/025
428/68

D503,748 S * 4/2005 Crawford D20/41

D509,543 S * 9/2005 Hillstrom D20/41

D586,402 S * 2/2009 Mangado Beloqui D20/39

D644,693 S * 9/2011 Braat D20/10

D661,124 S * 6/2012 Curbun D20/10

8,943,723 B2 * 2/2015 Valentine G09F 15/0012
211/189

D762,772 S * 8/2016 Tsuruoka D14/371

D784,451 S * 4/2017 Miller D19/113

D784,452 S * 4/2017 Miller D19/113

9,711,069 B2 * 7/2017 Valentine G09F 7/18

D802,663 S * 11/2017 Creasy D19/114

9,857,657 B2 * 1/2018 Ash G02F 1/157

D831,111 S * 10/2018 Kang D19/113

D852,274 S * 6/2019 Lim D20/39

2016/0217718 A1 * 7/2016 Silver G09F 13/18

2016/0331157 A1 * 11/2016 Best G09F 9/30

2016/0347112 A1 * 12/2016 Chow B43L 1/00

* cited by examiner

Primary Examiner — Elizabeth A. Albert
(74) *Attorney, Agent, or Firm* — Justin Lampel

(57) **CLAIM**

The ornamental design for a writing board, as shown and described.

DESCRIPTION

FIG. 1 is a perspective view of a writing board showing my new design;
FIG. 2 is a front side view thereof;
FIG. 3 is a rear side view thereof;
FIG. 4 is a right side view thereof;
FIG. 5 is a left side view thereof;
FIG. 6 is a bottom plan view thereof; and,
FIG. 7 is a top plan view thereof.

1 Claim, 6 Drawing Sheets

(56) **References Cited**

U.S. PATENT DOCUMENTS

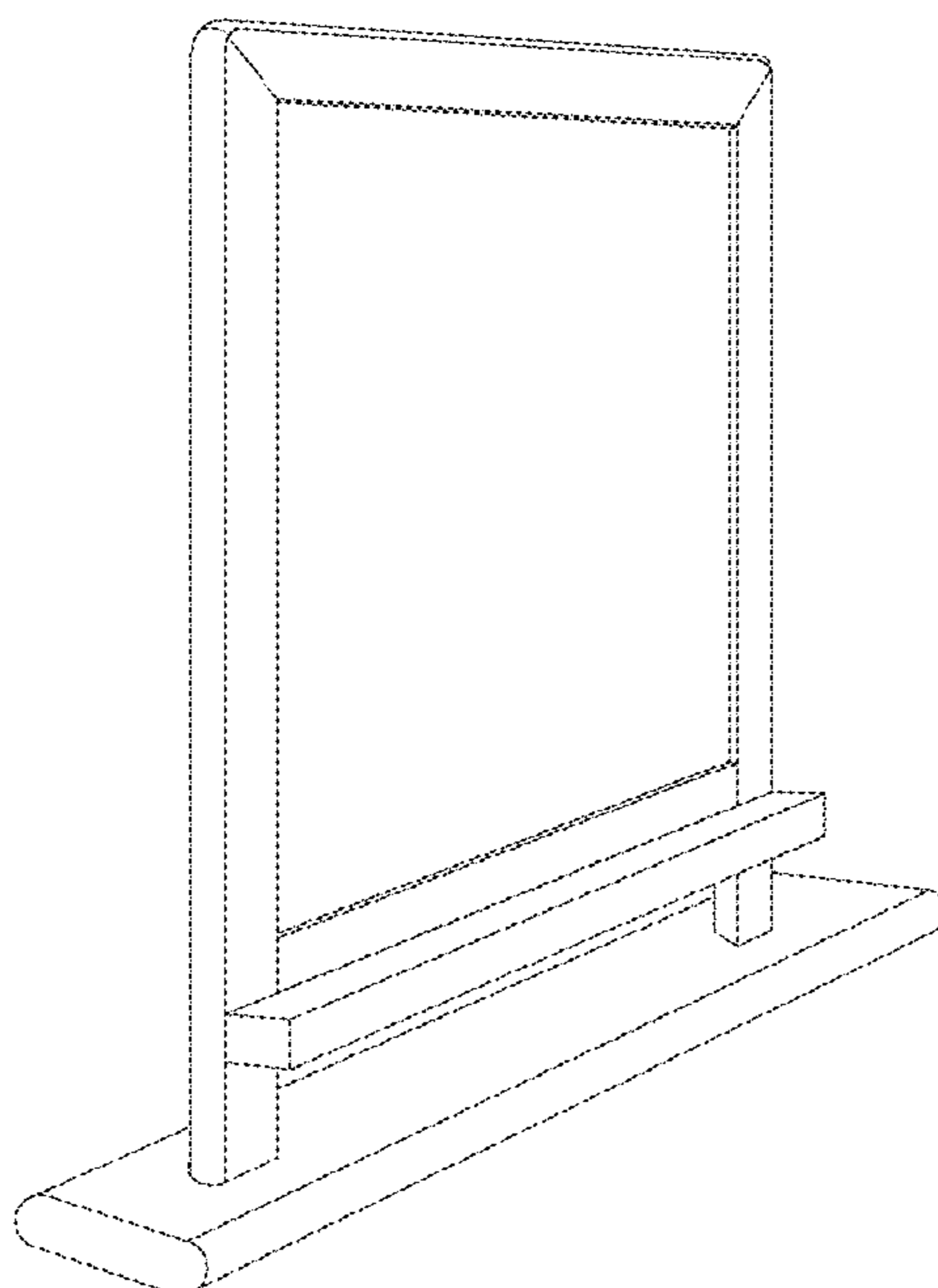
2,179,857 A * 11/1939 Lowenthal B42D 5/045
40/107

2,865,124 A * 12/1958 Mortellito G09F 15/0068
40/605

3,445,950 A * 5/1969 Gerik A47G 1/0605
40/782

D267,658 S * 1/1983 Samuels, Jr. D20/42

D267,890 S * 2/1983 Samuels, Jr. D20/41



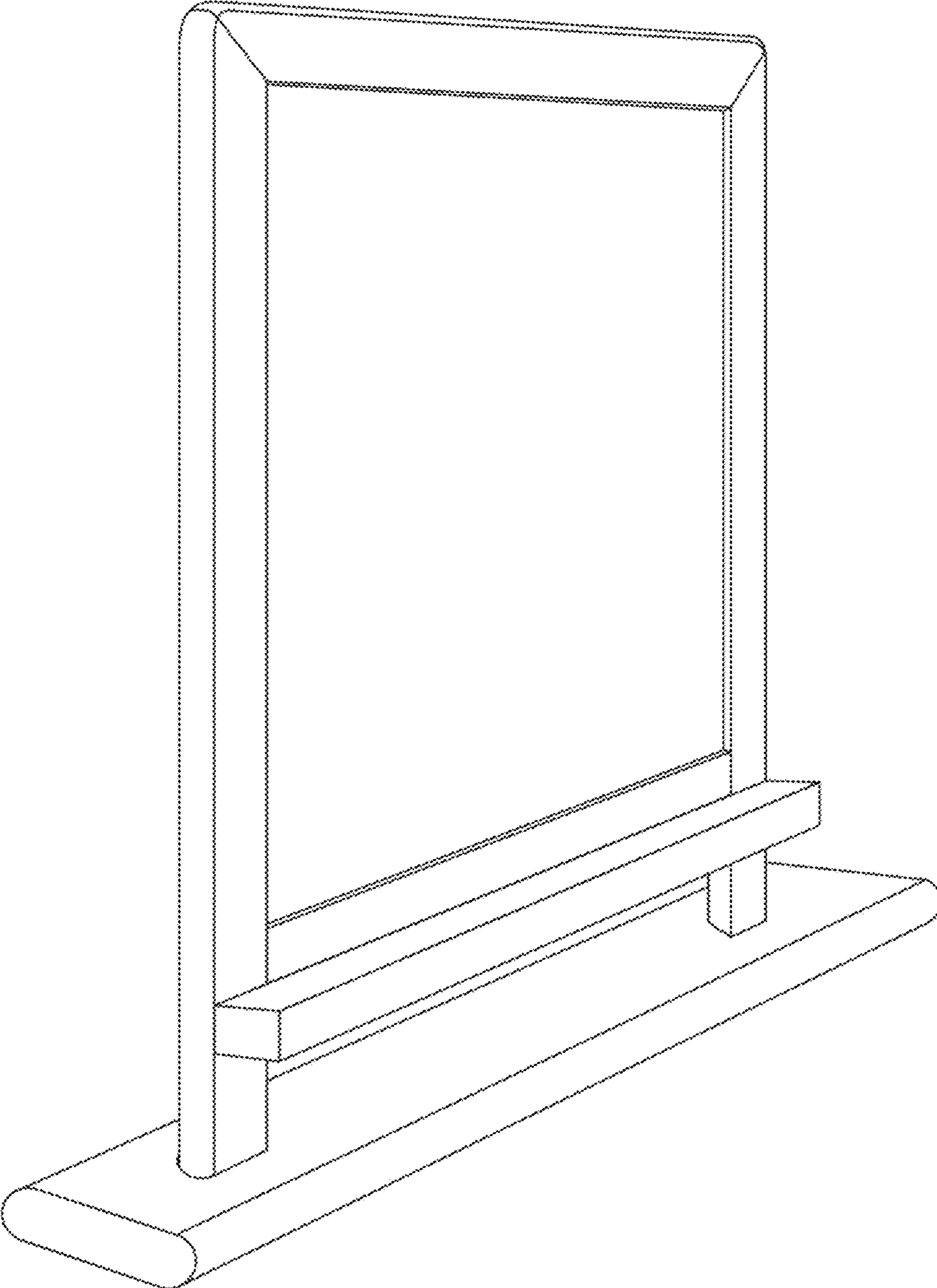


FIG. 1

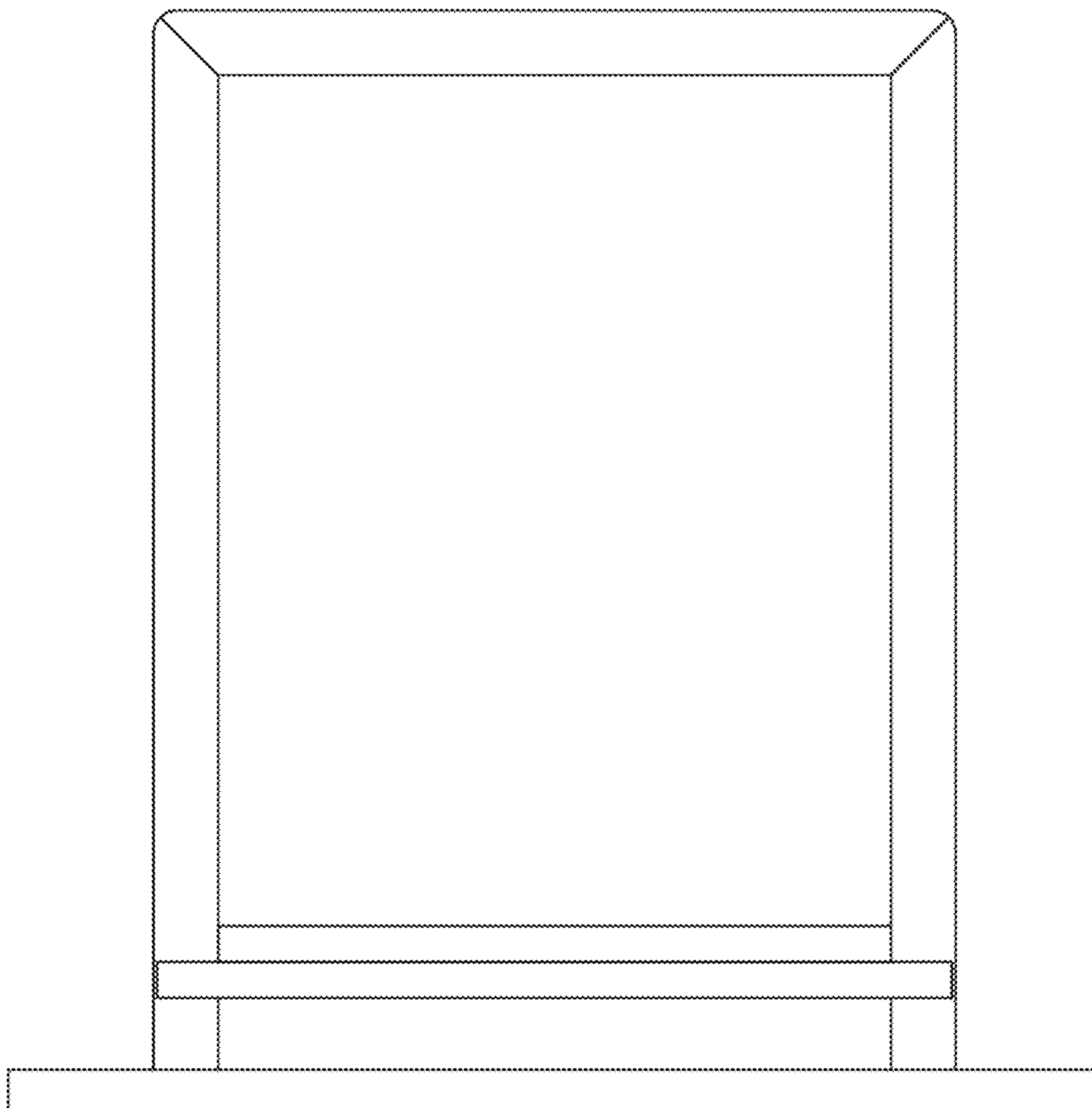


FIG. 2

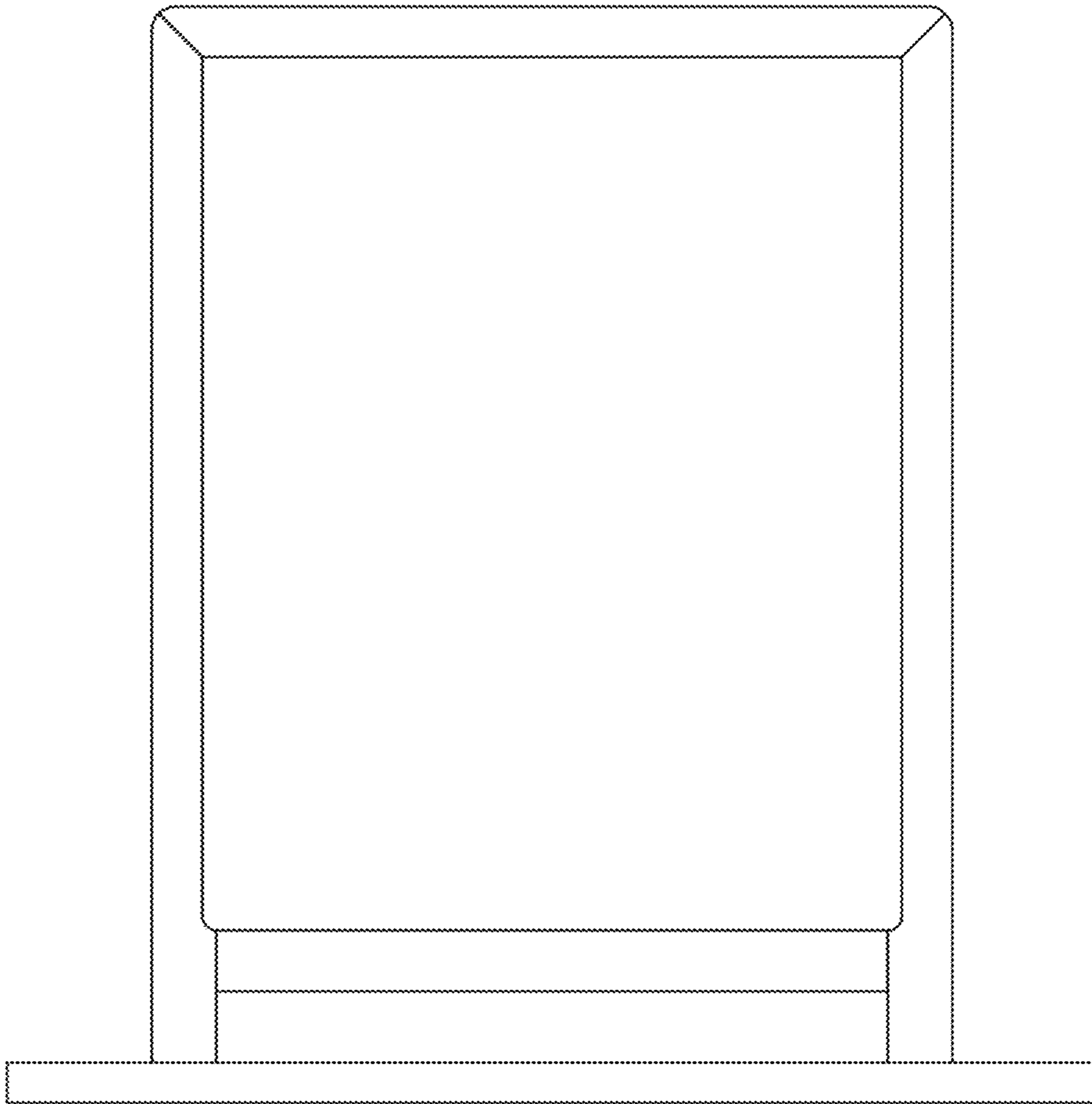


FIG. 3

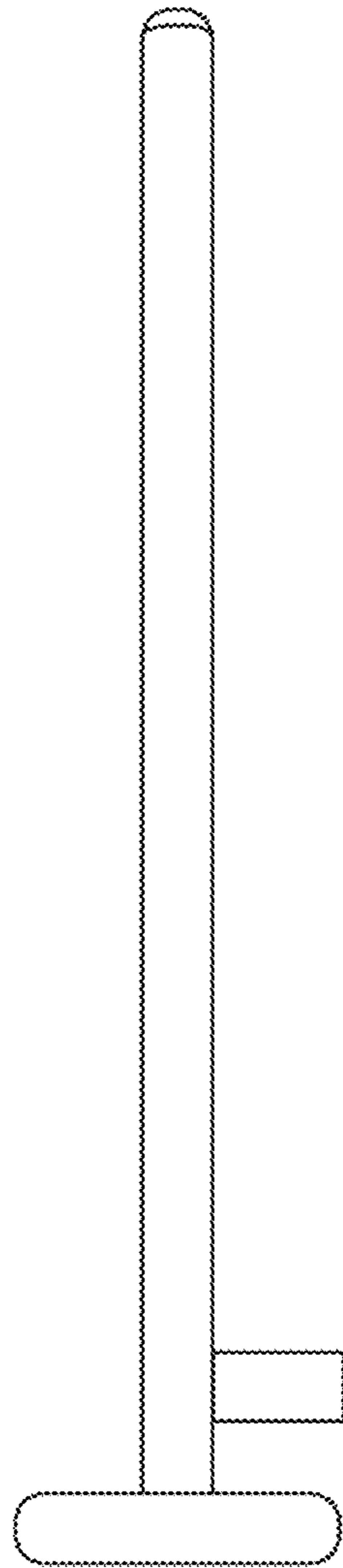


FIG. 4

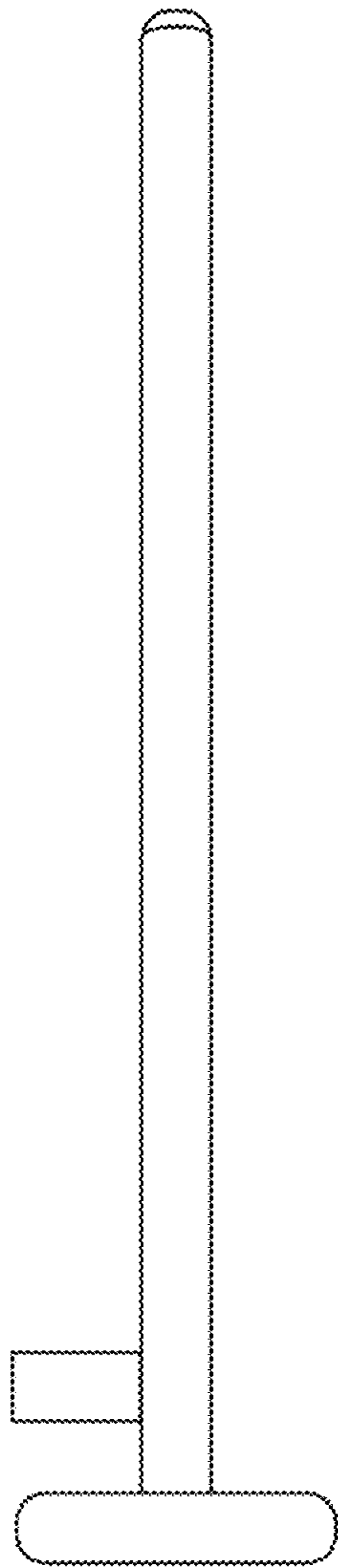


FIG. 5



FIG. 6

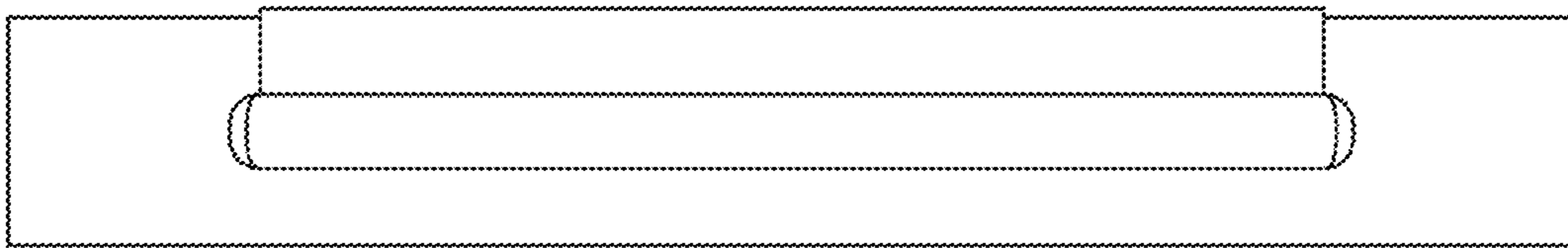


FIG. 7