



US00D872799S

(12) **United States Design Patent** (10) **Patent No.:** **US D872,799 S**
Royace (45) **Date of Patent:** **** Jan. 14, 2020**

(54) **EDUCATIONAL TOY**
(71) Applicant: **Donya Royace**, Ridgefield, CT (US)
(72) Inventor: **Donya Royace**, Ridgefield, CT (US)
(**) Term: **15 Years**
(21) Appl. No.: **29/649,525**
(22) Filed: **May 31, 2018**
(51) **LOC (12) Cl.** **19-07**
(52) **U.S. Cl.**
USPC **D19/64**; D19/108; D21/398; D21/455;
D21/469

(58) **Field of Classification Search**
USPC D21/398, 455, 461, 468, 469, 483, 484,
D21/488, 492, 493, 516, 523, 525, 530,
D21/532; D19/59, 101, 108, 109, 64;
D15/122, 130, 124-126, 138-143;
434/81, 82, 85, 101, 104, 365, 393;
446/146, 484, 487, 491, 236, 243-245,
446/247; D14/203, 261
CPC ... A63H 1/00; A63H 1/04; A63H 1/16; A63H
1/20; A63H 1/22; A63H 29/18; A63H
29/20; A63H 29/22; A63H 31/06; A63H
33/00; A63H 33/001; A63H 33/002;
A63H 33/22; A63H 33/26; B43L 9/00;
B43L 5/002; B43L 11/00; B43L 11/08;
B43L 13/00; B43L 13/005; B43L 13/046;
B44B 3/009; B44B 11/00; B44B 11/02;
B44B 2700/02; B44B 2700/025; B44B
2700/12; G09B 11/00; B05B 13/0228
See application file for complete search history.

(56) **References Cited**
U.S. PATENT DOCUMENTS
D175,209 S * 7/1955 Critzer D21/516
2,964,791 A * 12/1960 McFarland A63H 33/001
425/183

3,416,231 A * 12/1968 Mercorelli A63H 33/22
33/18.1
3,696,529 A * 10/1972 Mabbutt A63H 33/22
434/87
4,099,330 A * 7/1978 Hicks B43L 13/00
33/18.1
D250,491 S * 12/1978 Ogawa D19/64
4,450,774 A * 5/1984 Weaver A47B 11/00
108/104
D277,684 S * 2/1985 Miller D21/469
4,574,484 A * 3/1986 Borda B43L 11/00
33/27.11
D347,656 S * 6/1994 Bumbarger D19/64
5,553,643 A * 9/1996 Goldfarb A63H 33/22
118/52
5,709,033 A * 1/1998 Cummings B43L 11/00
33/18.1

(Continued)

FOREIGN PATENT DOCUMENTS

CN 3278904 * 2/2003
CN 302044655 * 8/2012

(Continued)

Primary Examiner — Catherine A Tuttle

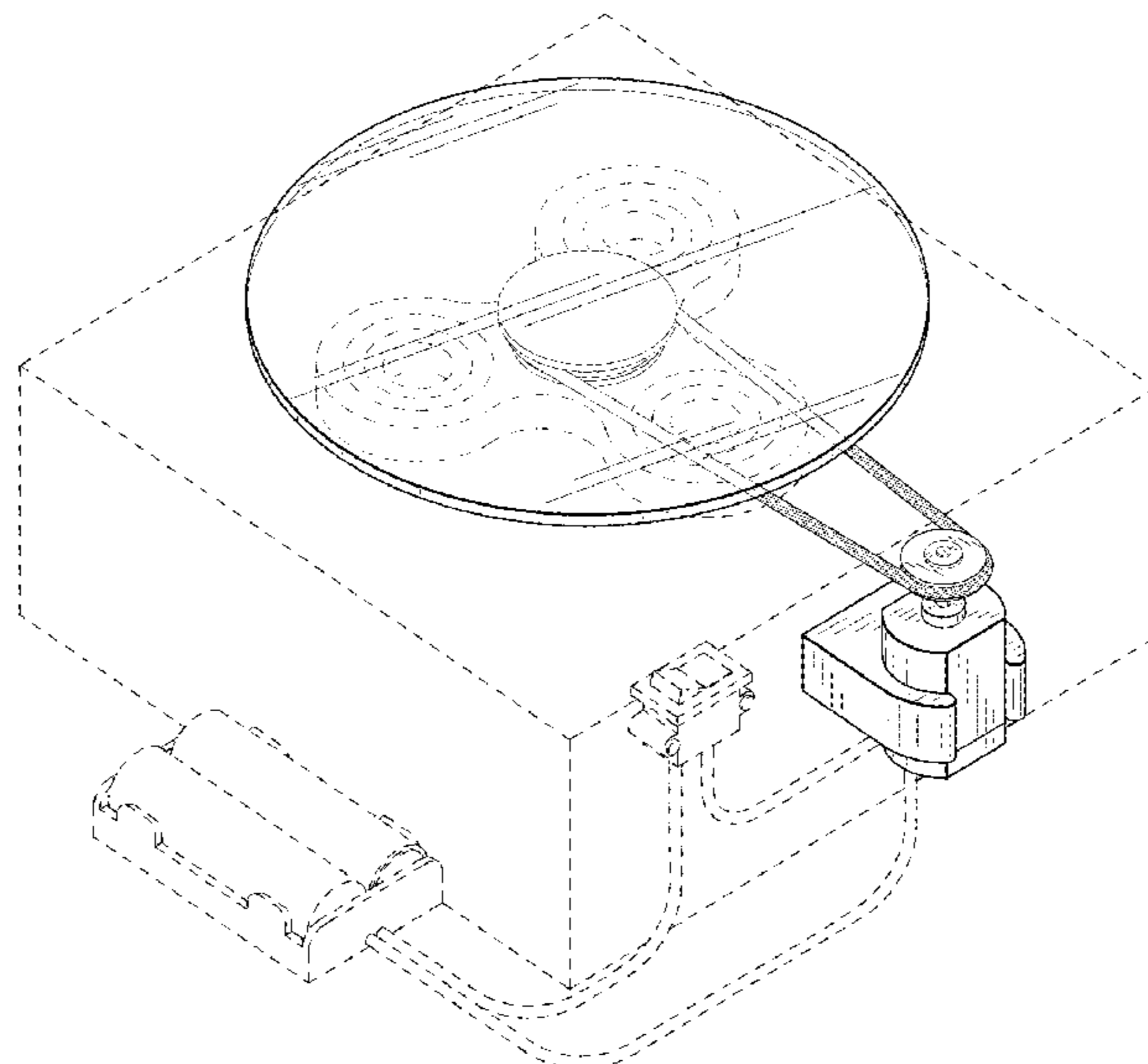
(57) **CLAIM**

The ornamental design for an educational toy, as shown and described.

DESCRIPTION

FIG. 1 is a top perspective view of the educational toy showing my new design;
FIG. 2 is a front view thereof;
FIG. 3 is a rear view thereof;
FIG. 4 is a left side view thereof;
FIG. 5 is a right side view thereof;
FIG. 6 is a top view thereof; and,
FIG. 7 is a bottom view thereof.
The dashed lines depict the portions of the educational toy that form no part of the claimed design.

1 Claim, 5 Drawing Sheets



(56)

References Cited

U.S. PATENT DOCUMENTS

D412,539 S * 8/1999 Corliss D19/108
6,843,701 B1 * 1/2005 Arnone A63H 33/22
446/146
D550,649 S * 9/2007 Thursfield D14/199
2010/0285430 A1 * 11/2010 MacFadyen G09B 11/00
434/84
2017/0326468 A1 * 11/2017 Kinmont, Jr. A63H 33/26

FOREIGN PATENT DOCUMENTS

CN 303424043 * 10/2015
FR 1457978 A * 11/1966 B43L 11/00
IL 50698 * 2/2013

* cited by examiner

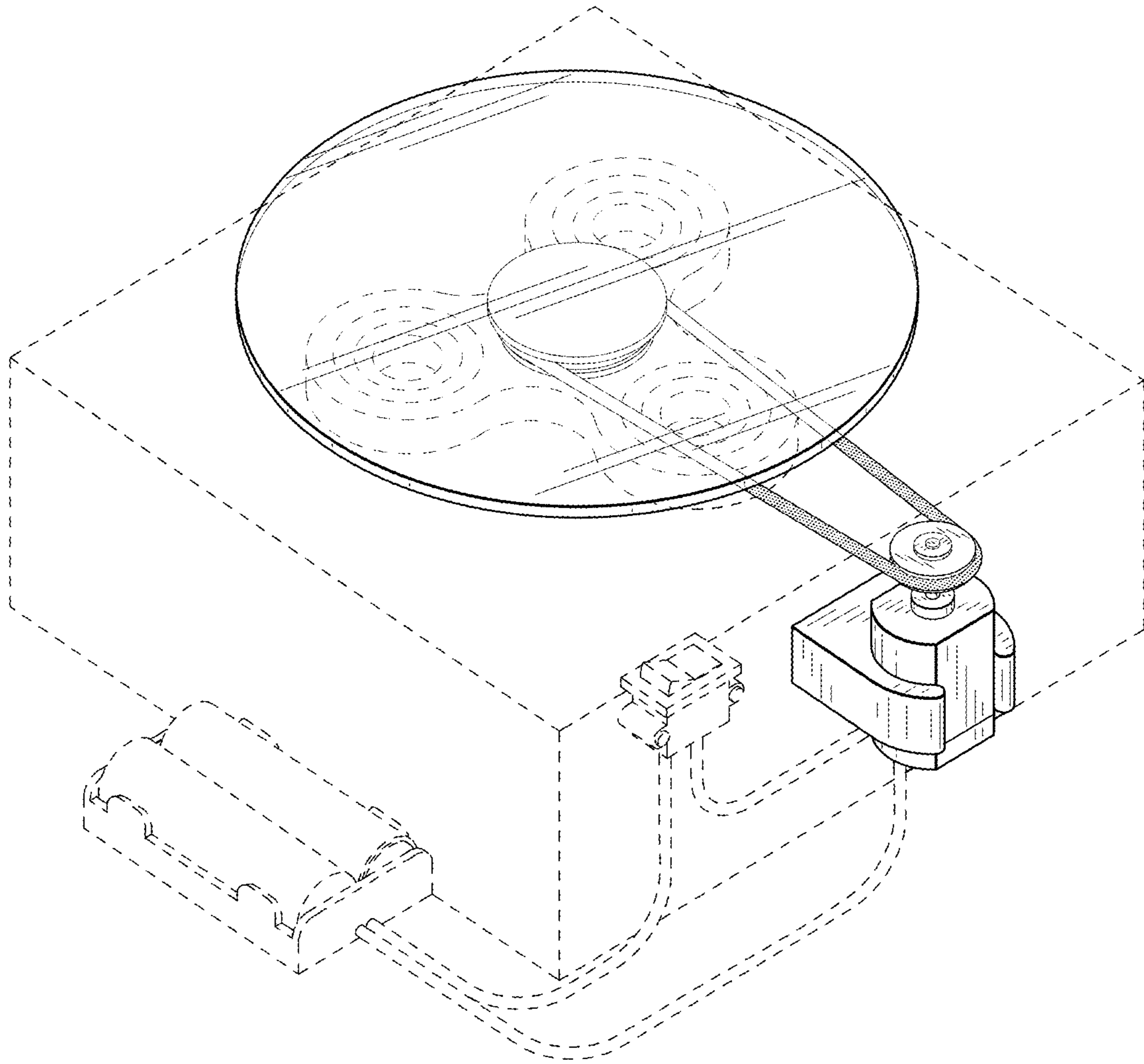


FIG. 1

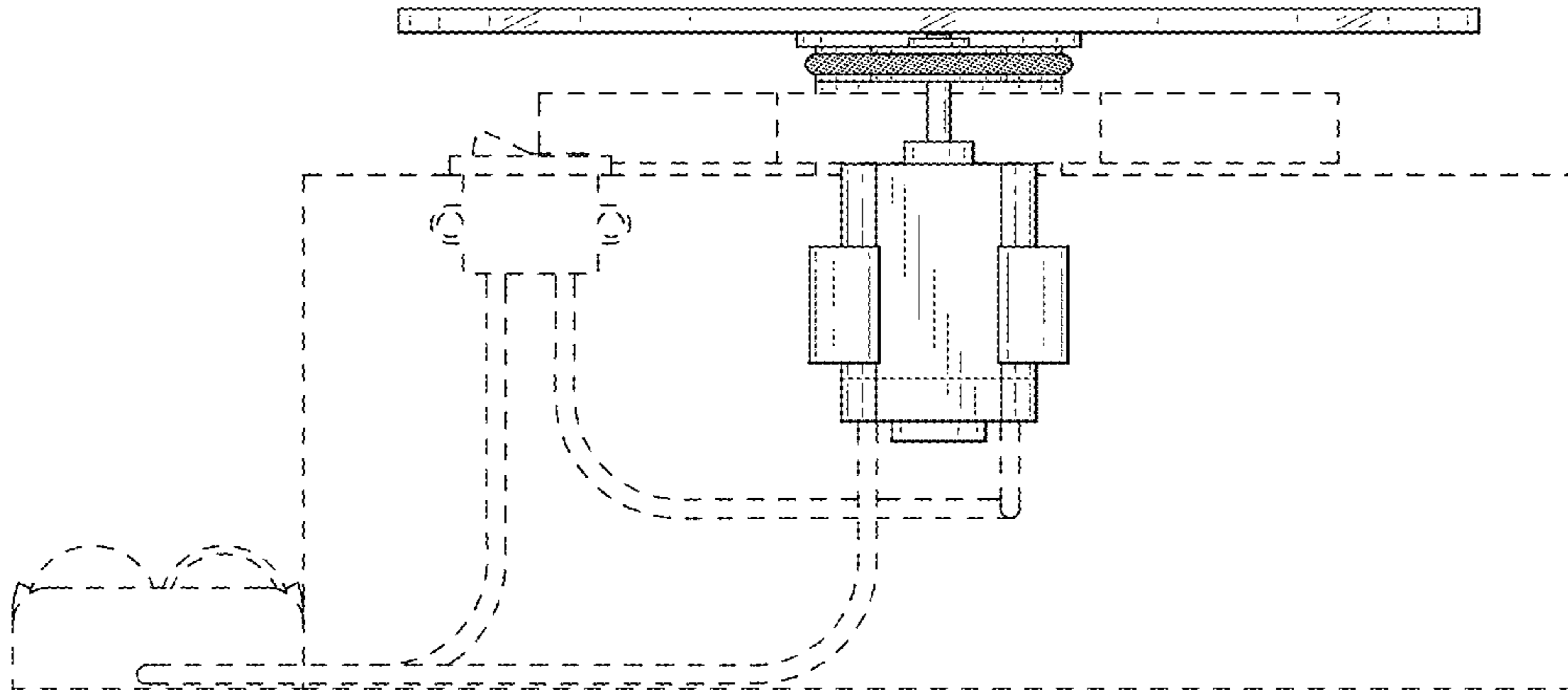


FIG. 2

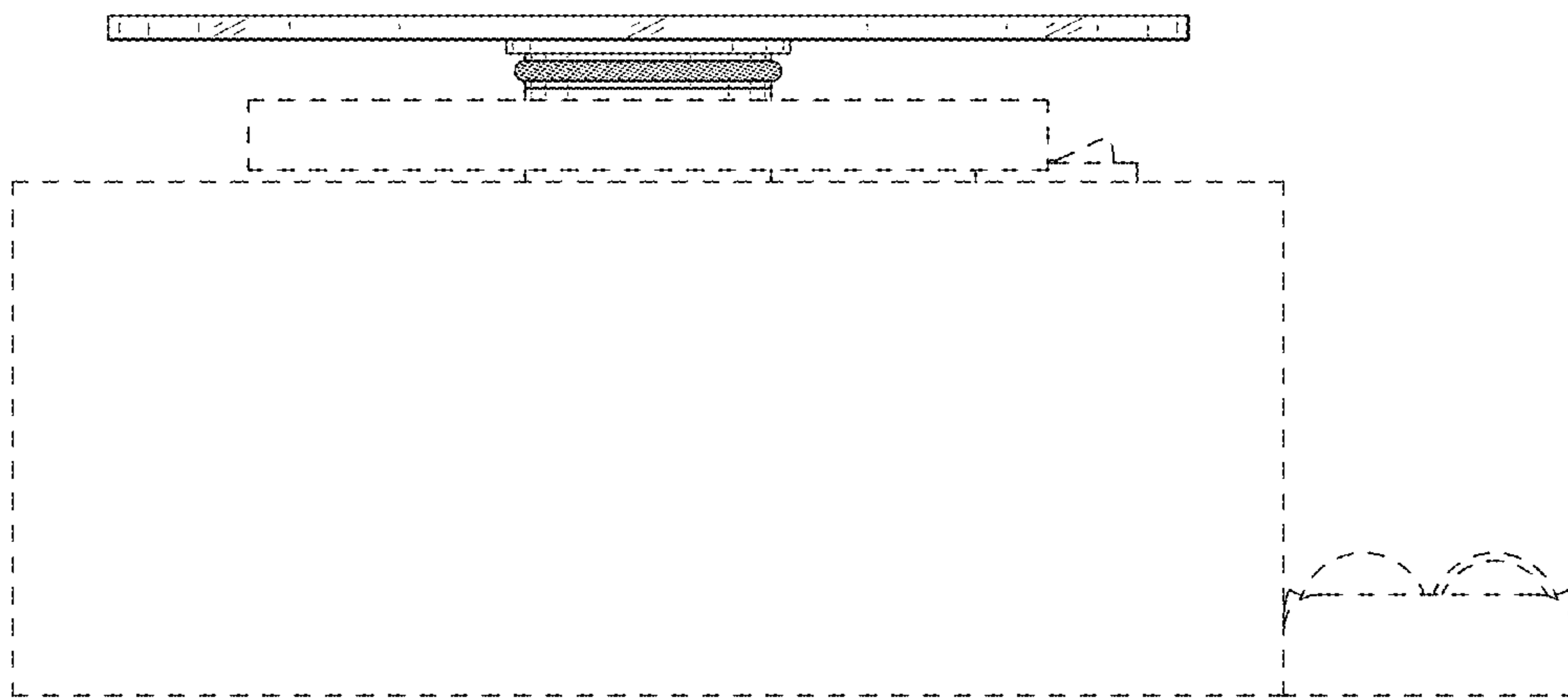


FIG. 3

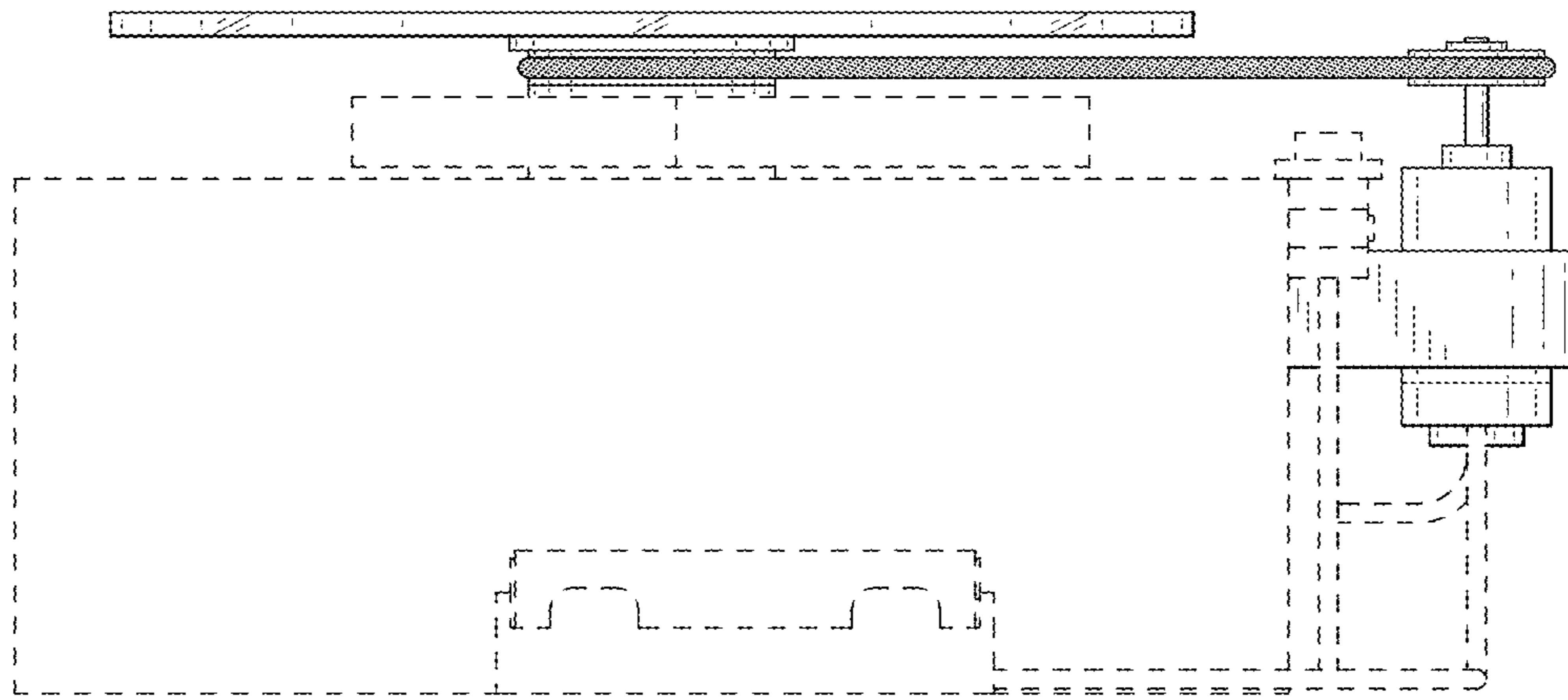


FIG. 4

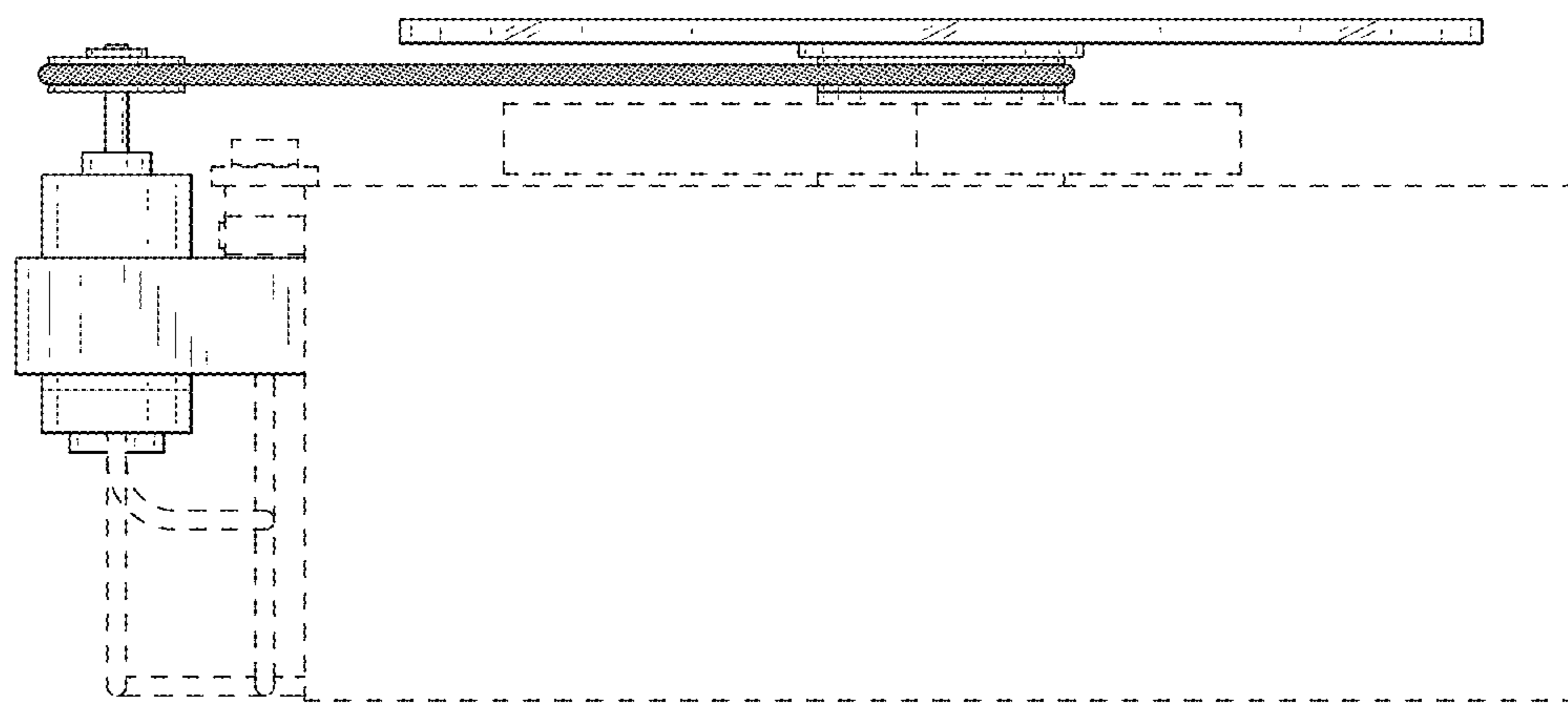


FIG. 5

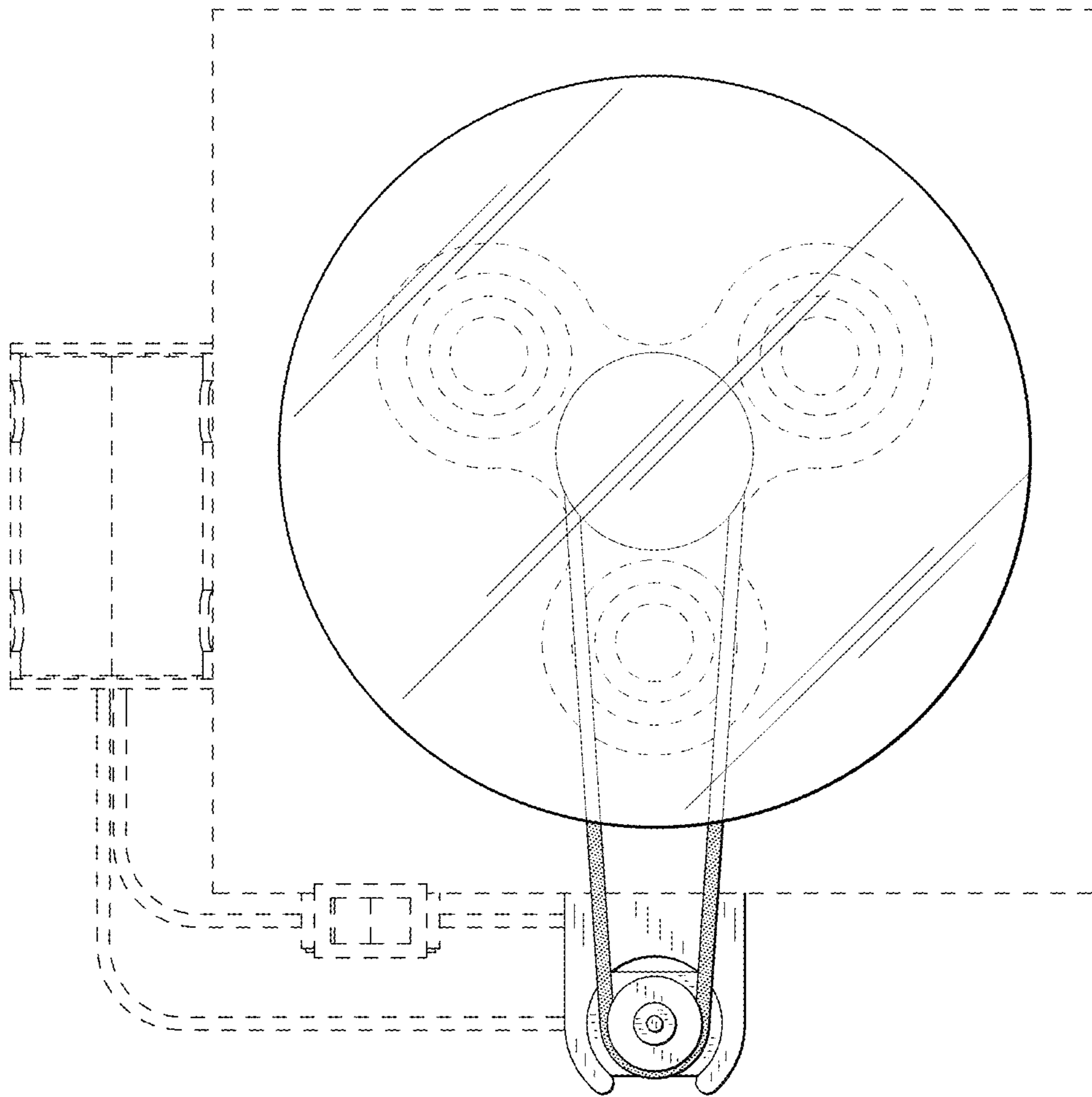


FIG. 6

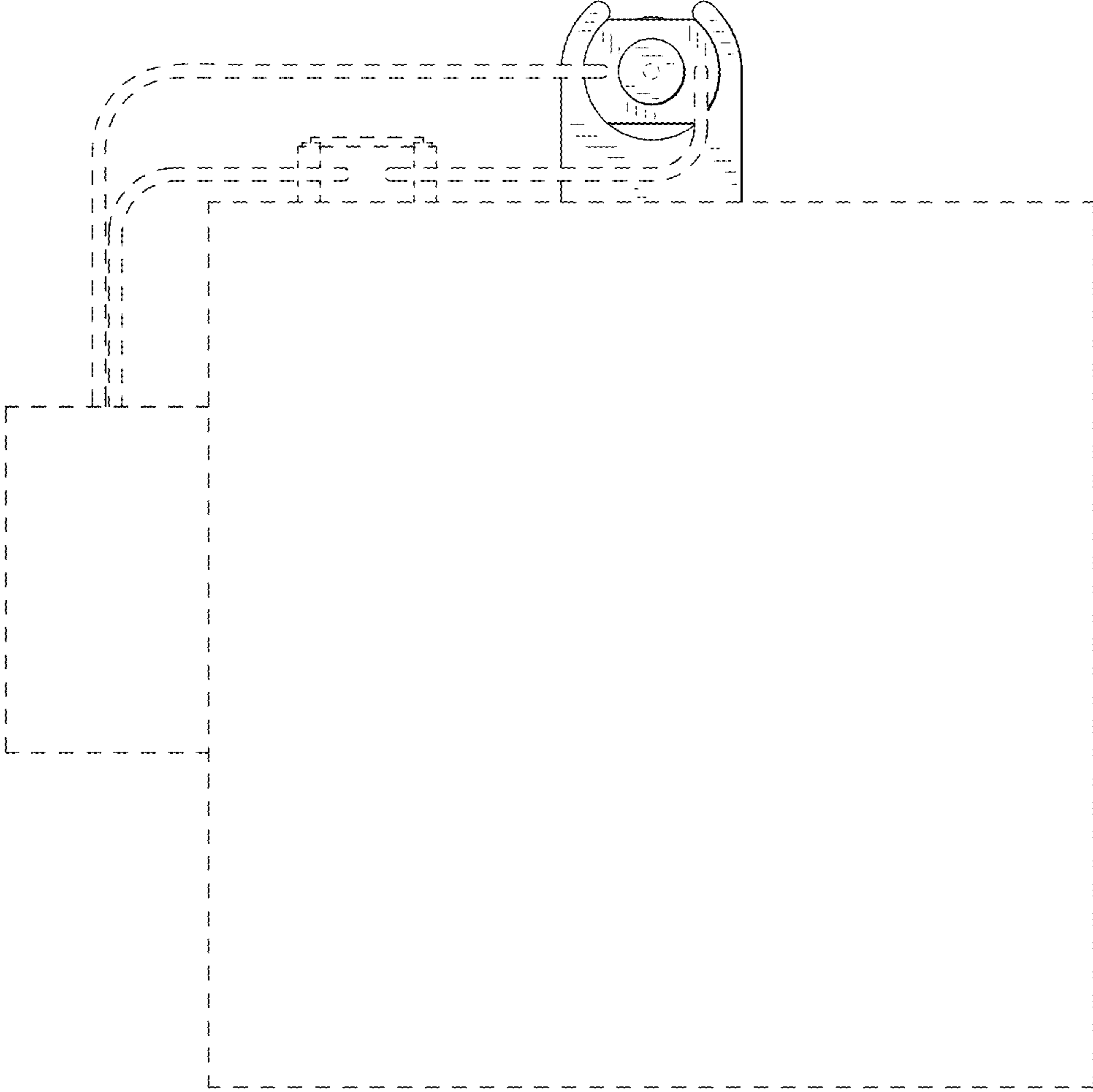


FIG. 7