



US00D872796S

(12) **United States Design Patent**  
**Sato et al.**

(10) **Patent No.:** **US D872,796 S**  
(45) **Date of Patent:** **\*\* Jan. 14, 2020**

(54) **COUPLING FOR PROCESS CARTRIDGE FOR IMAGE FORMING APPARATUS**

G03G 15/60; G03G 15/65; G03G 15/221;  
G03G 15/5075; G03G 15/6558; G03G  
15/0832; G03G 15/0834; G03G 15/0836;  
G03G

(71) Applicant: **CANON KABUSHIKI KAISHA**,  
Tokyo (JP)

(Continued)

(72) Inventors: **Masaaki Sato**, Kanagawa-ken (JP);  
**Yosuke Kashiide**, Tokyo (JP); **Tetsushi  
Uneme**, Kanagawa-ken (JP); **Kensuke  
Sato**, Kanagawa-ken (JP); **Toshiki  
Fujino**, Tokyo (JP)

(56) **References Cited**

U.S. PATENT DOCUMENTS

D462,984 S 9/2002 Hayashi et al.  
D599,846 S 9/2009 Yasui et al.

(Continued)

(73) Assignee: **Canon Kabushiki Kaisha**, Tokyo (JP)

(\*\*) Term: **15 Years**

OTHER PUBLICATIONS

(21) Appl. No.: **29/657,947**

Copending, unpublished Design U.S. Appl. No. 29/529,581 to  
Shinjiro Toba, et al., filed Jun. 9, 2015.

(22) Filed: **Jul. 26, 2018**

(Continued)

**Related U.S. Application Data**

(62) Division of application No. 35/502,993, filed on Nov.  
18, 2016 (U.S. filing date under 35 U.S.C. 384), and  
(Continued)

*Primary Examiner* — Darlington Ly

(74) *Attorney, Agent, or Firm* — Venable LLP

(30) **Foreign Application Priority Data**

May 26, 2016 (JP) ..... 2016-011249

(51) **LOC (12) Cl.** ..... **16-03**

(52) **U.S. Cl.**  
USPC ..... **D18/43**

(58) **Field of Classification Search**  
USPC ..... D18/36, 37, 39, 40, 41, 44, 45, 46, 47,  
D18/48, 49, 50, 51, 52, 53, 54, 55, 56;  
D14/129, 130, 301, 307, 462, 463, 464,  
D14/465, 466, 467, 468, 469, 470, 471  
CPC ..... B41J 3/00; B41J 3/28; B41J 3/445; B41J  
3/46; B65H 11/00; B65H 11/002; B65H  
2301/331; B65H 29/46; G03B 27/04;  
G03B 27/08; G03B 27/14; G03B 27/16;  
G03G 15/00; G03G 15/04; G03G 15/23;  
G03G 15/28; G03G 15/50; G03G 15/55;

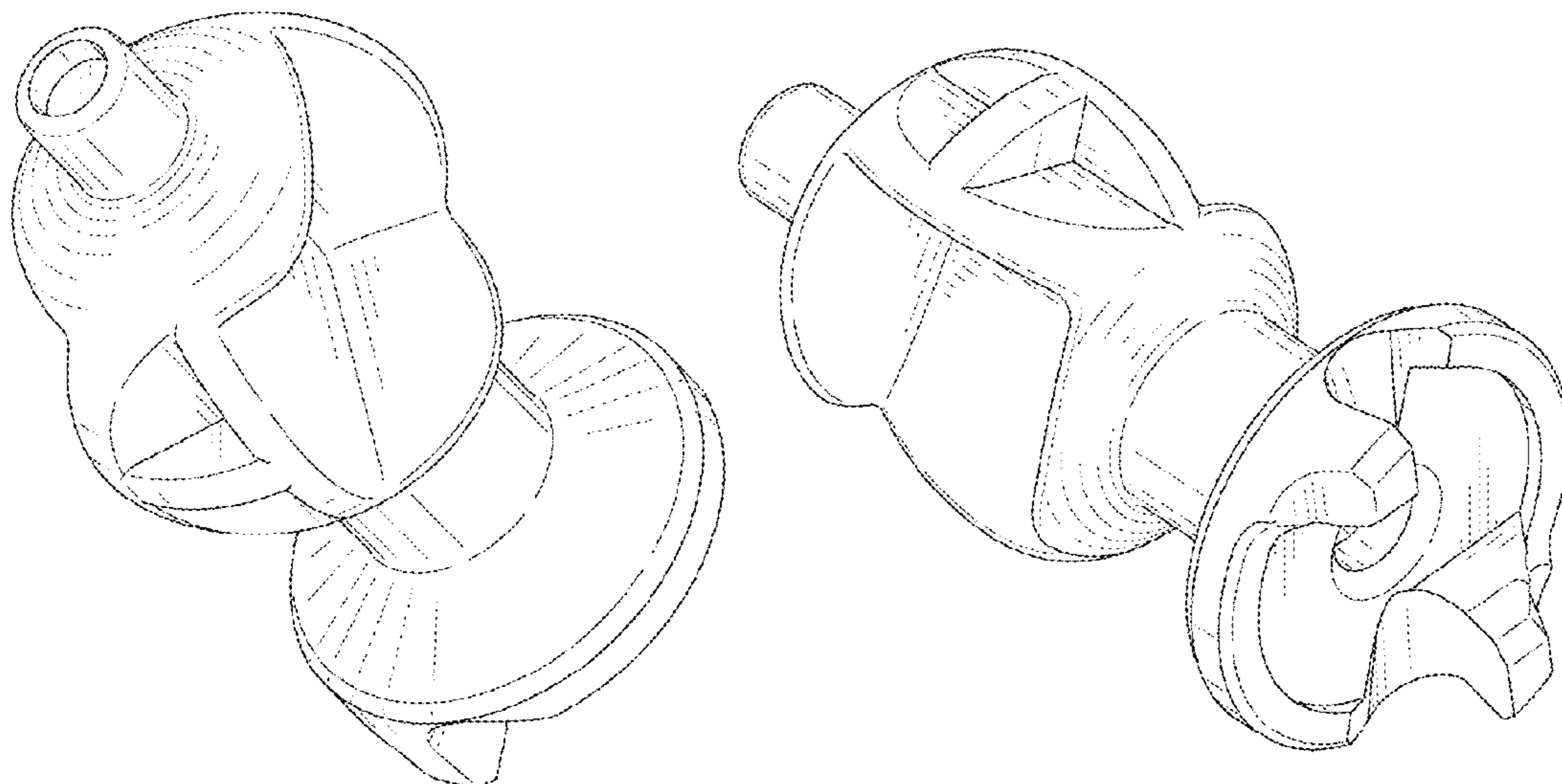
(57) **CLAIM**

The ornamental design for a coupling for process cartridge  
for image forming apparatus, as shown and described.

**DESCRIPTION**

FIG. 1 is a front elevation view of a coupling for process  
cartridge for image forming apparatus showing our new  
design;  
FIG. 2 is a rear elevation view thereof;  
FIG. 3 is a top plan view thereof;  
FIG. 4 is a bottom plan view thereof;  
FIG. 5 is a left side elevation view thereof;  
FIG. 6 is a right side elevation view thereof;  
FIG. 7 is a bottom, front, and left side perspective view  
thereof; and,  
FIG. 8 is a top, rear, and right side perspective view thereof.

**1 Claim, 8 Drawing Sheets**



**Related U.S. Application Data**

having an international filing date of Nov. 18, 2016, now Pat. No. Des. 843,443.

(58) **Field of Classification Search**

CPC ..... 15/0837; G03G 15/0877; G03G 15/0867; G03G 15/0868; G03G 15/0872; G03G 15/0898; G03G 15/5016; G03G 15/0841; G03G 21/1853; G03G 21/20; G03G 21/18; G03G 21/08; G03G 21/16; G03G 2221/1654; G03G 2221/183; G03G 2221/1684; G03G 2221/1645; G03F 7/70716; G06K 15/12; G06K 15/14; H04N 1/00204; H04N 1/00249; H04N 1/00278; H04N 1/00602; H04N 1/00631

See application file for complete search history.

(56) **References Cited**

U.S. PATENT DOCUMENTS

D631,088 S 1/2011 Chadani et al.  
 D631,089 S 1/2011 Chadani et al.  
 D631,090 S 1/2011 Chadani et al.  
 D631,091 S 1/2011 Chadani et al.  
 D633,137 S 2/2011 Chadani et al.  
 D636,813 S \* 4/2011 Kikuchi ..... D18/43  
 D638,056 S 5/2011 Kanno et al.  
 D638,057 S 5/2011 Kanno et al.  
 7,941,072 B2 \* 5/2011 Ishikawa ..... G03G 15/0875  
 399/107  
 D639,335 S 6/2011 Kanno et al.  
 D639,846 S 6/2011 Kanno et al.  
 D677,718 S \* 3/2013 Huck ..... F16D 1/101  
 D18/43  
 D689,129 S \* 9/2013 Okino ..... D18/43

D696,342 S \* 12/2013 Lewis ..... G03G 15/757  
 D18/43  
 D698,861 S \* 2/2014 Huang ..... D18/43  
 D699,281 S \* 2/2014 Kurokawa ..... D18/43  
 D699,282 S \* 2/2014 Kurokawa ..... D18/43  
 D706,340 S \* 6/2014 Lee ..... D18/43  
 D723,613 S \* 3/2015 Shimizu ..... D18/43  
 D724,657 S \* 3/2015 Shimizu ..... D18/43  
 D732,107 S \* 6/2015 Huang ..... D18/43  
 D739,890 S \* 9/2015 Ogawa ..... D18/43  
 D739,891 S \* 9/2015 Ogawa ..... D18/43  
 D752,136 S \* 3/2016 Koido ..... D18/43  
 D786,962 S 5/2017 Toba et al.  
 D786,968 S 5/2017 Uratani et al.  
 D791,224 S 7/2017 Toba et al.  
 D791,862 S 7/2017 Toba et al.  
 D796,574 S \* 9/2017 Kamoshida ..... D18/43  
 D798,948 S 10/2017 Toba et al.  
 D798,949 S 10/2017 Toba et al.  
 D807,955 S 1/2018 Toba et al.  
 2003/0223782 A1 \* 12/2003 Ban ..... G03G 15/0872  
 399/227

OTHER PUBLICATIONS

Copending, unpublished Design U.S. Appl. No. 29/546,566 to Shinjiro Toba, et al., filed Nov. 24, 2015.  
 Copending, unpublished Design U.S. Appl. No. 29/586,991 to Shinjiro Toba, et al., filed Dec. 8, 2016.  
 Copending, unpublished Design U.S. Appl. No. 29/546,569 to Shinjiro Toba, et al., filed Nov. 24, 2015.  
 Copending, unpublished Design U.S. Appl. No. 29/552,153 to Shunsuke Uratani, et al., filed Jan. 20, 2016.  
 Copending, unpublished Design U.S. Appl. No. 29/552,142 to Shunsuke Uratani, et al., filed Jan. 20, 2016.  
 Copending, unpublished Design U.S. Appl. No. 29/552,140 to Shigemi Kamoshida, et al., filed Jan. 20, 2016.

\* cited by examiner

Fig. 1

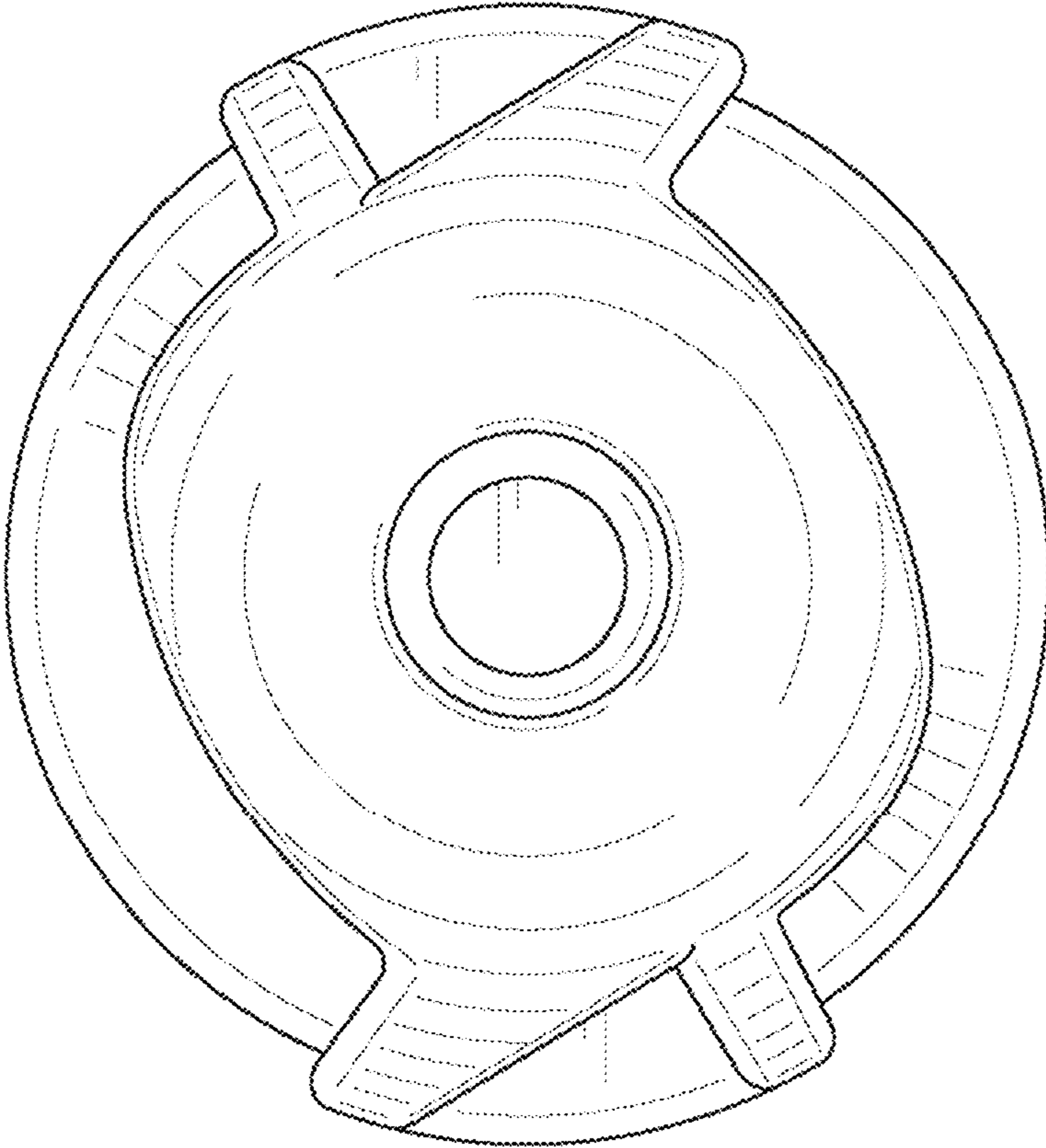


Fig. 2

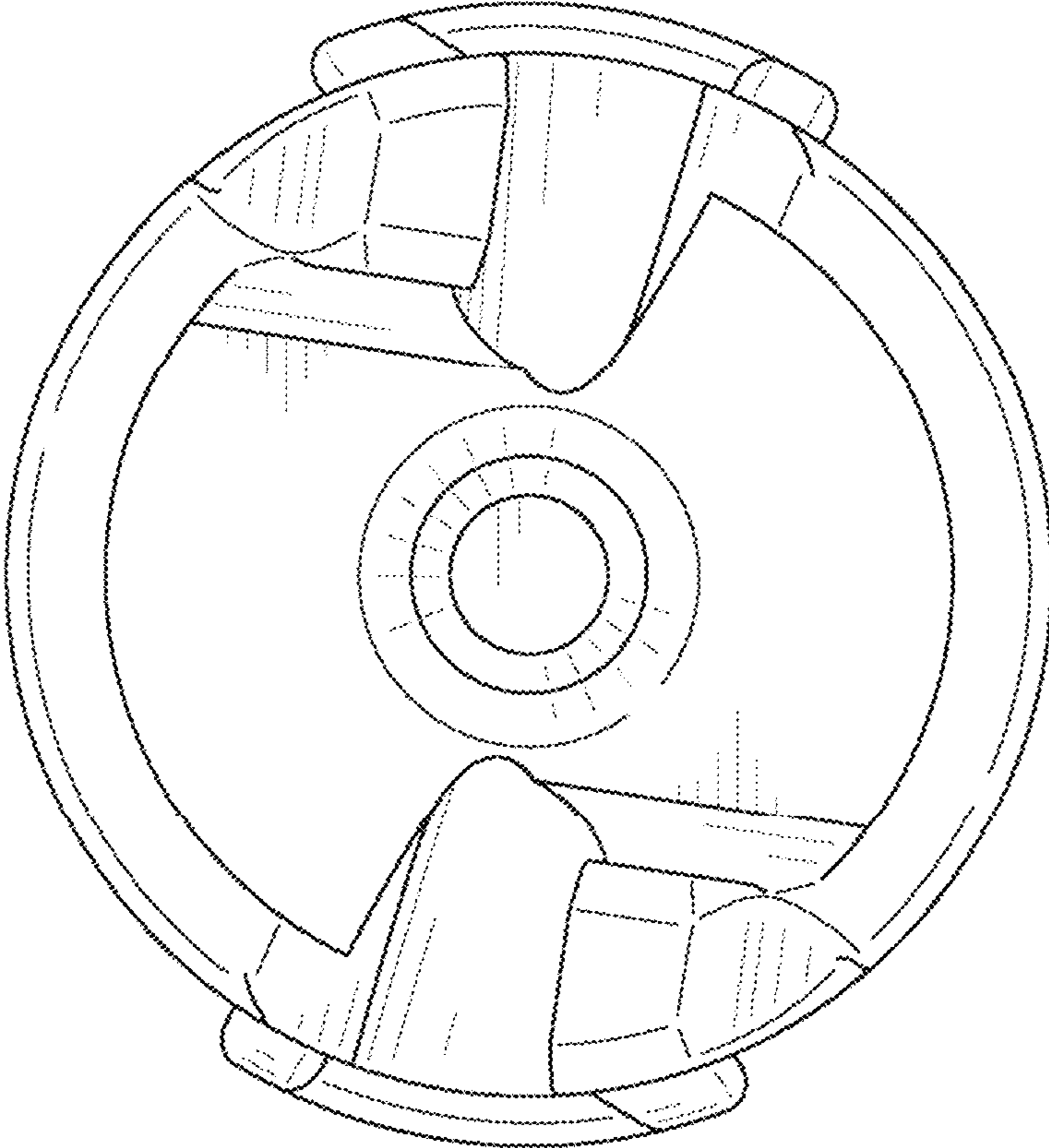


Fig. 3

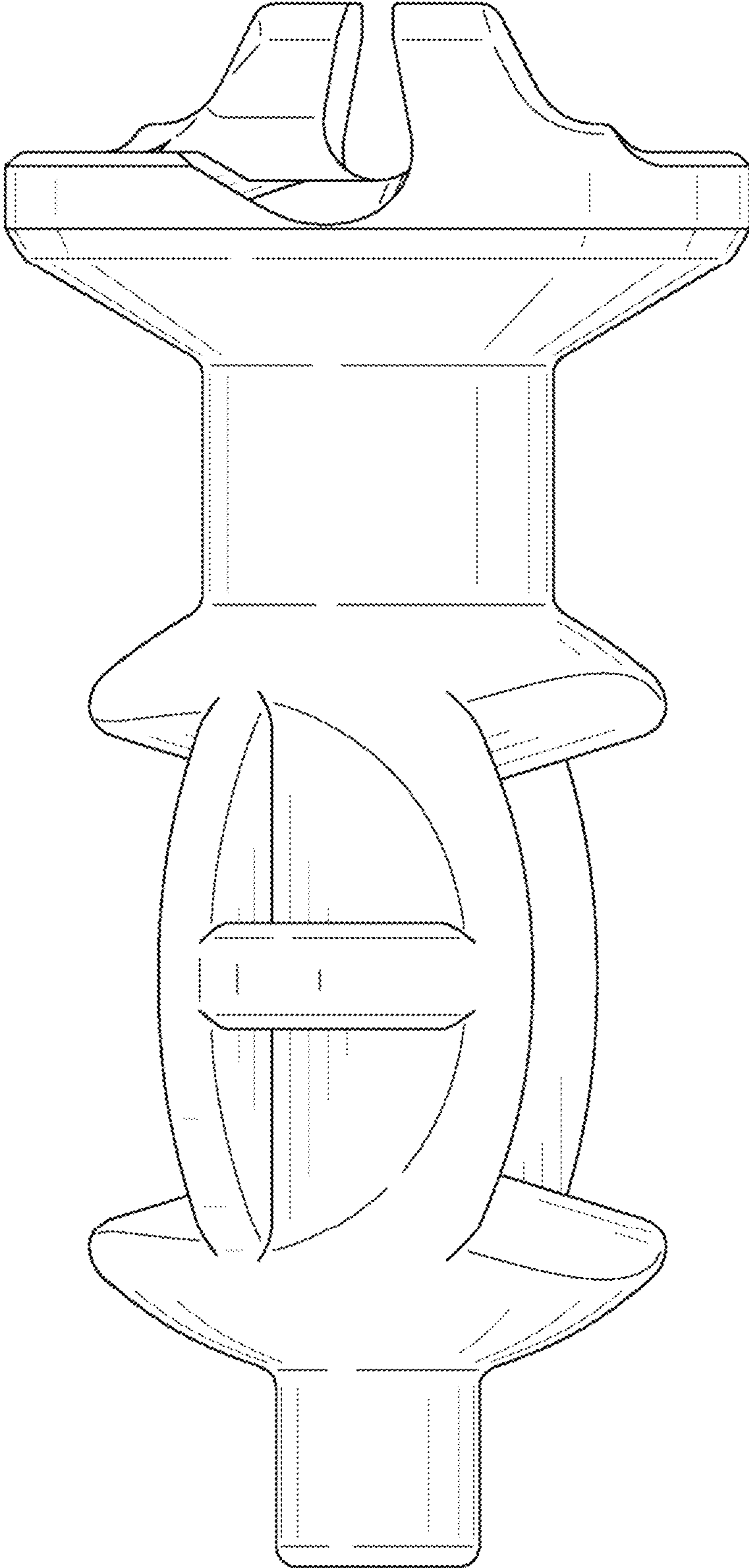


Fig. 4

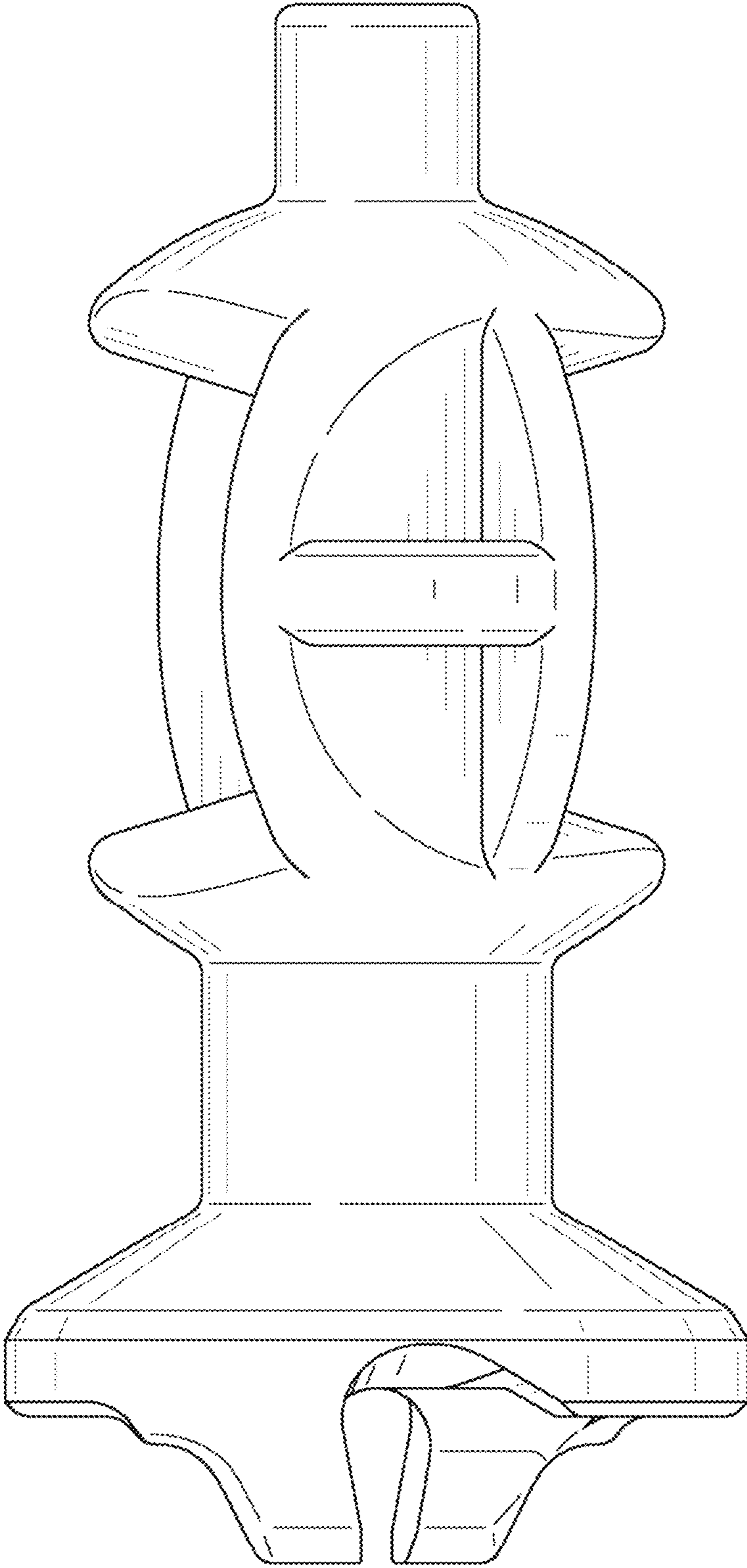


Fig. 5

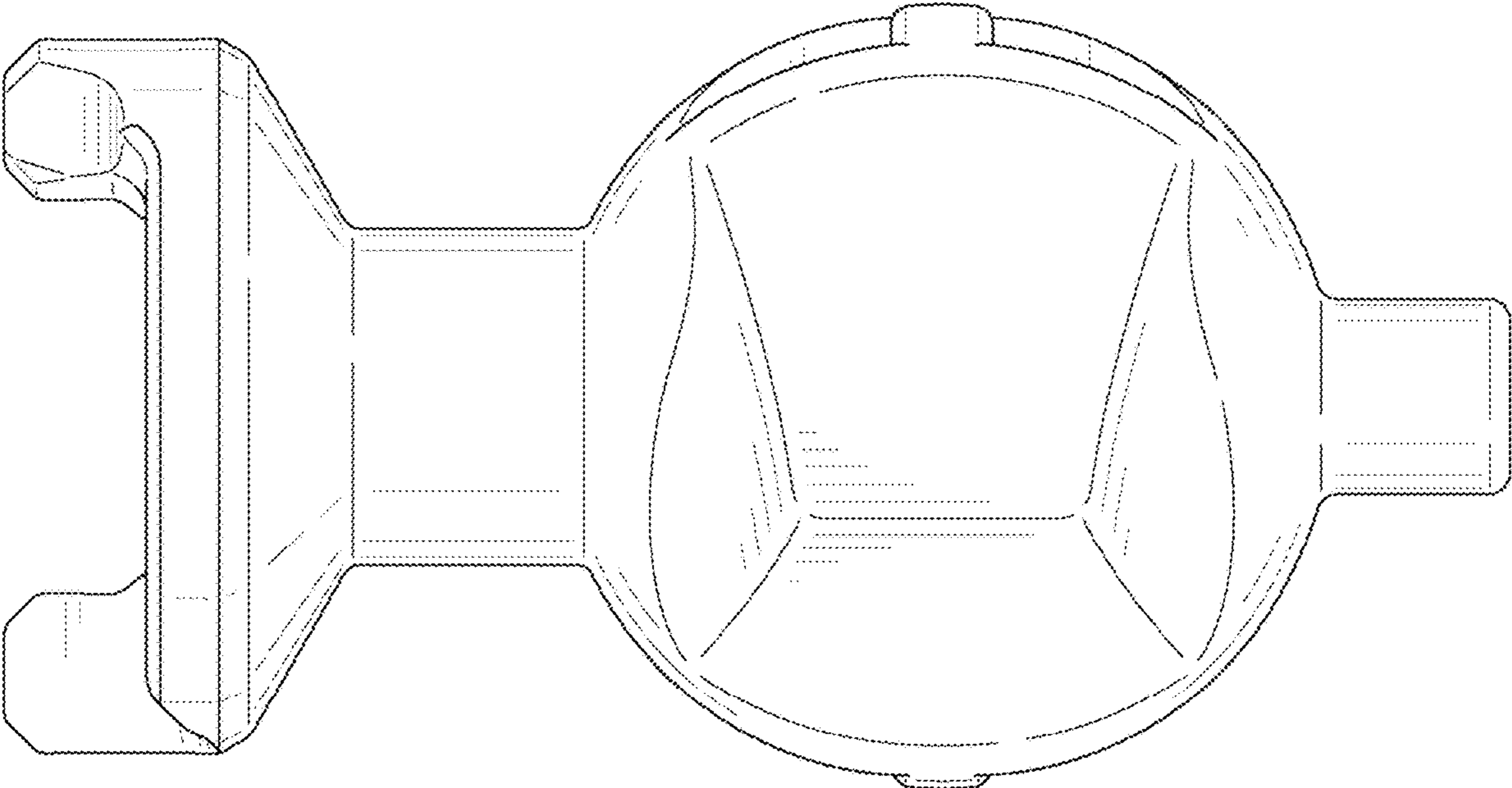


Fig. 6

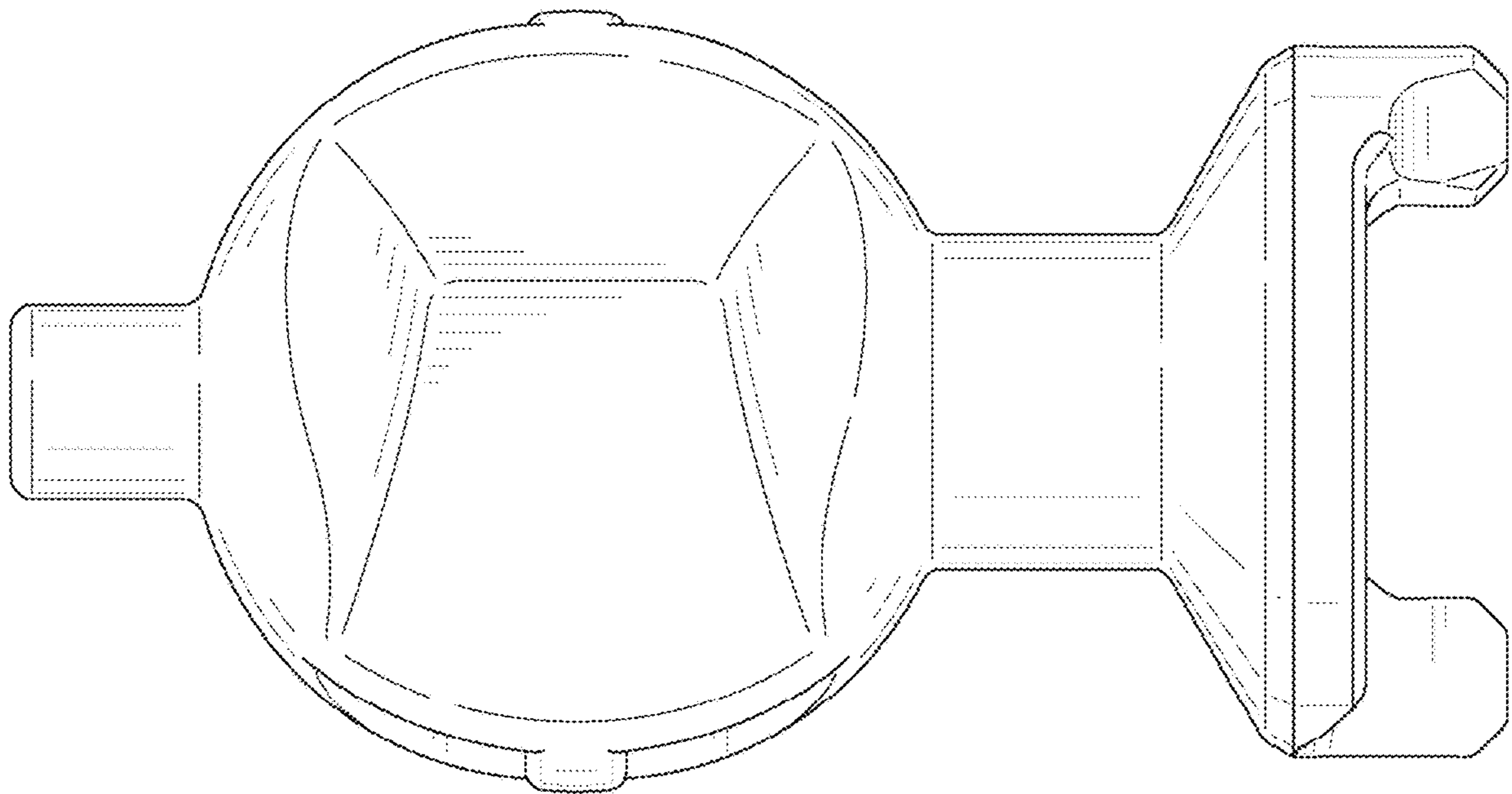




Fig. 7



Fig. 8

