



US00D872792S

(12) **United States Design Patent** (10) **Patent No.:** **US D872,792 S**  
**Fletcher et al.** (45) **Date of Patent:** **\*\* Jan. 14, 2020**

(54) **IMAGER DEVICE**  
(71) Applicant: **Hand Held Products, Inc.**, Fort Mill, SC (US)  
(72) Inventors: **Donna Marie Fletcher**, Auburn, NY (US); **Dwight Linwood Franz**, Haddonfield, NJ (US); **Anthony Raymond Charpentier**, Haute-Garonne (FR)  
(73) Assignee: **HAND HELD PRODUCTS, INC.**, Fort Mill, SC (US)  
(\*\*) Term: **15 Years**  
(21) Appl. No.: **29/599,600**  
(22) Filed: **Apr. 5, 2017**  
(51) **LOC (12) Cl.** ..... **16-05**  
(52) **U.S. Cl.**  
USPC ..... **D16/219; D10/70**  
(58) **Field of Classification Search**  
USPC ..... D10/104.1, 106.7, 61, 63, 65, 70, 71; D16/200, 202–203, 207, 208, 218, 219; D14/203.1, 204, 209.1, 496, 497; 348/14.01–14.6, 373–376; 396/427, 535, 396/539–541  
CPC ..... G03B 17/02; G03B 19/04; G03B 17/56; G03B 17/04; G03B 15/03; H04N 5/2251; H04N 5/2252; H04N 5/2253; H04N 5/2254; H04N 2101/00; H04N 2007/145; H04N 7/141; H04N 7/142; H04N 7/147; H04N 7/148; H04N 7/15; H04N 7/152  
See application file for complete search history.

8,323,106 B2 \* 12/2012 Zalewski ..... G06F 3/0304 463/31  
D685,015 S \* 6/2013 Wang ..... D16/202  
D693,711 S \* 11/2013 Jacobs ..... D10/106.6  
D709,117 S \* 7/2014 Gan ..... D16/202  
D711,949 S \* 8/2014 Koenck ..... D16/130  
D712,952 S \* 9/2014 Sumii ..... D14/496  
D744,573 S \* 12/2015 Matsumiya ..... D16/218  
D800,201 S \* 10/2017 Song ..... D16/202  
D835,701 S \* 12/2018 Song ..... D16/219  
2006/0061655 A1 \* 3/2006 Wang ..... B60R 11/04 348/148

\* cited by examiner

*Primary Examiner* — Ramzi S Almatrahi

(74) *Attorney, Agent, or Firm* — Alston & Bird LLP

(57) **CLAIM**

The ornamental design for an imager device, as shown and described.

**DESCRIPTION**

FIG. 1 is a front perspective view of an imager device in accordance with the present invention; FIG. 2 is a rear perspective view of the imager device of FIG. 1; FIG. 3 is a front elevation view of the imager device of FIG. 1; FIG. 4 is a rear elevation view of the imager device of FIG. 1; FIG. 5 is a top plan view of the imager device of FIG. 1; FIG. 6 is a top plan view of the imager device of FIG. 1; FIG. 7 is a left elevation view of the imager device of FIG. 1; and, FIG. 8 is a right elevation view of the imager device of FIG. 1.

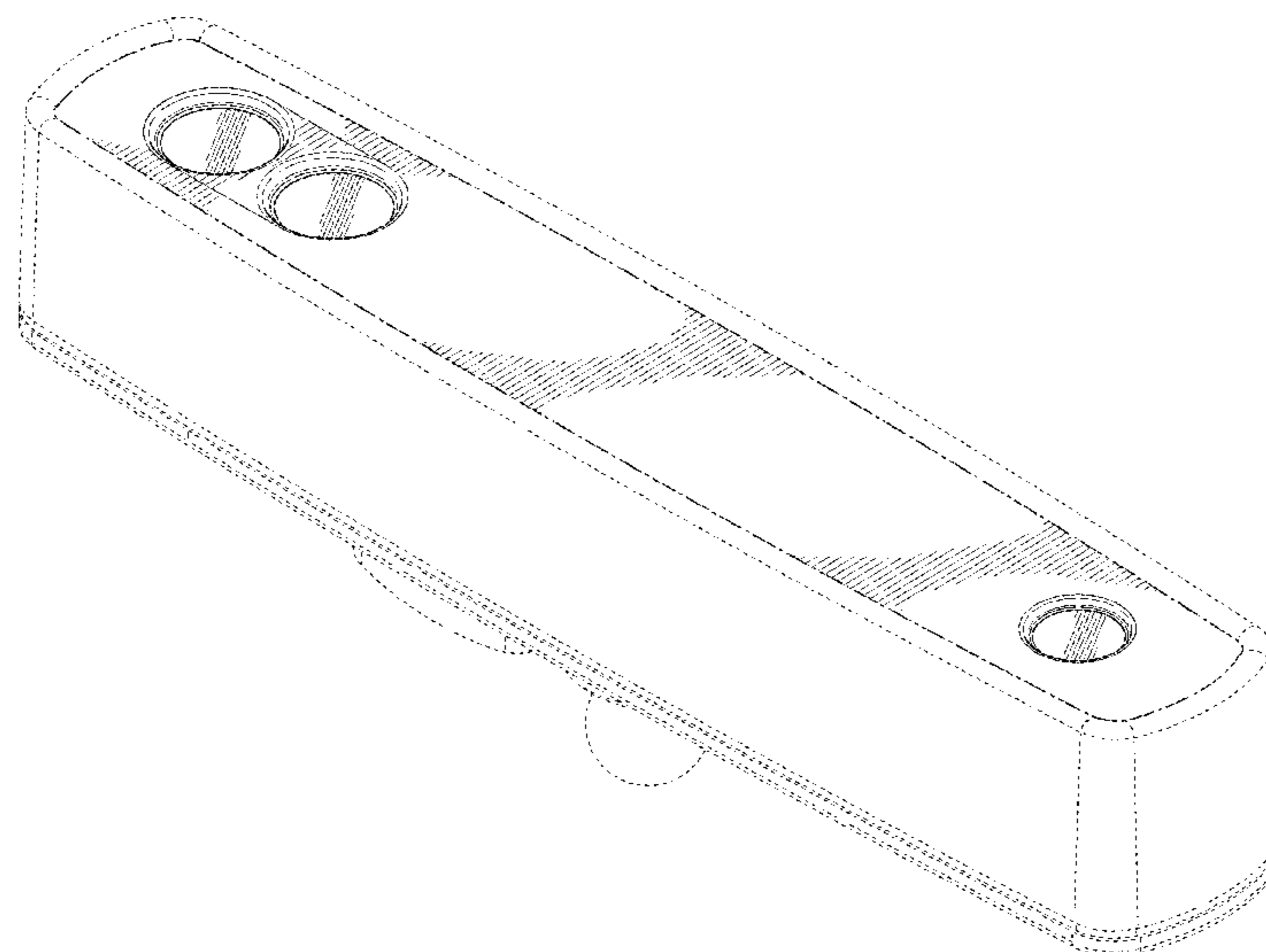
The broken lines depict portions of the imager device in which the design is embodied that form no part of the claimed design. Additionally, the dash-dot lines denote the boundary of the claim and form no part of the claimed design.

**1 Claim, 7 Drawing Sheets**

(56) **References Cited**

**U.S. PATENT DOCUMENTS**

D615,888 S \* 5/2010 Ikeda ..... D10/70  
D619,484 S \* 7/2010 Ikeda ..... D10/106.7  
D665,441 S \* 8/2012 McManigal ..... D16/202



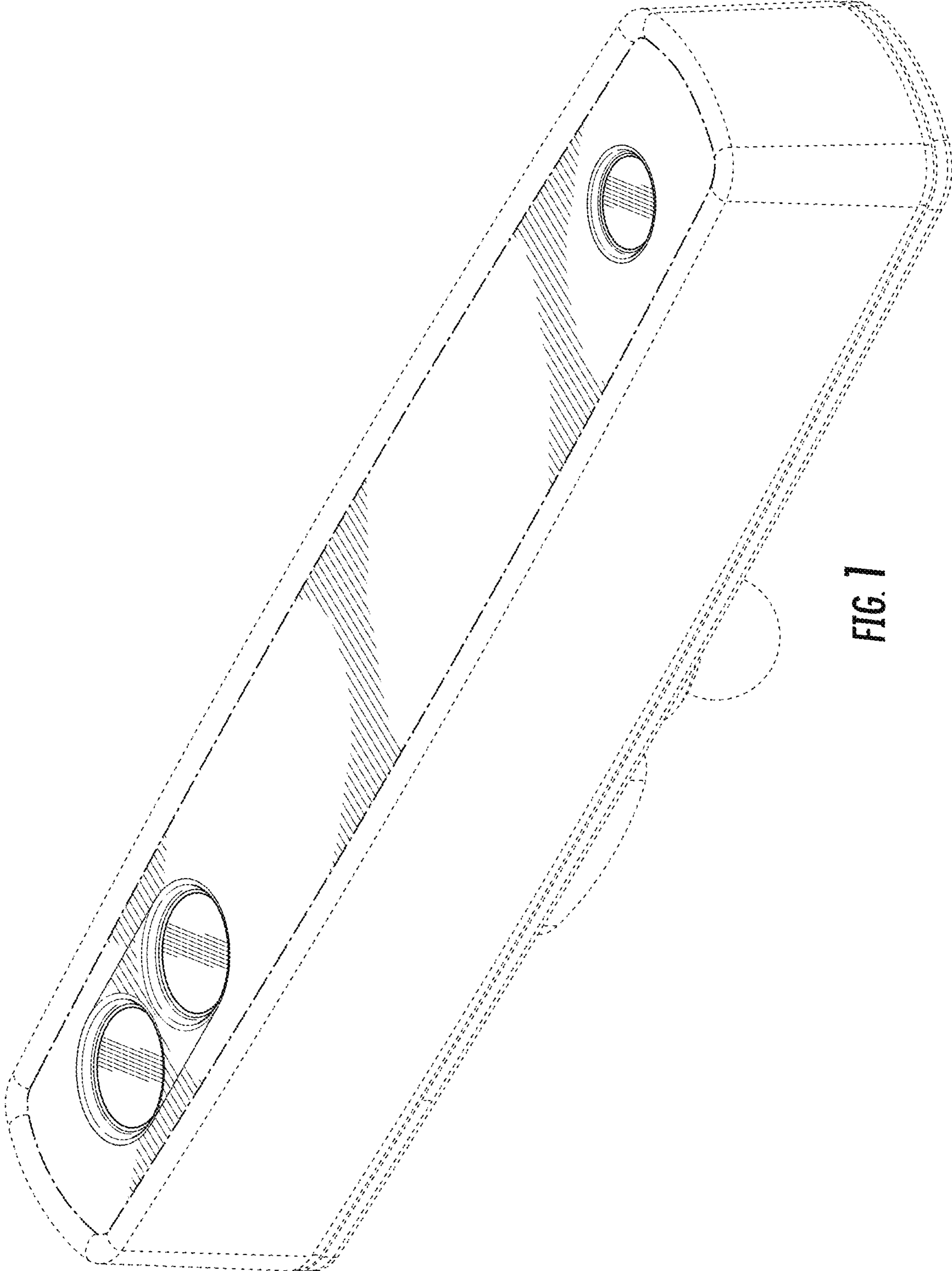


FIG. 1

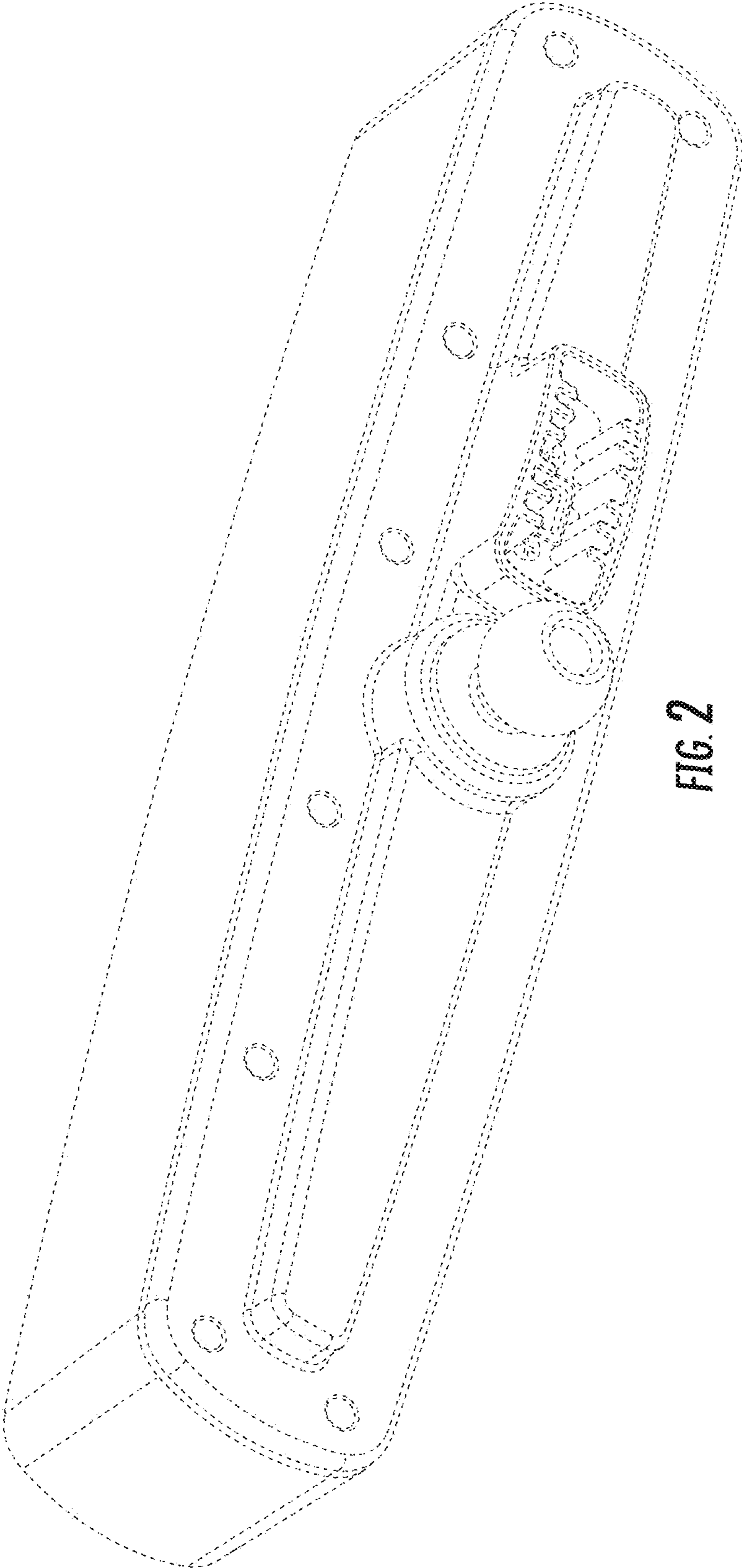


FIG. 2

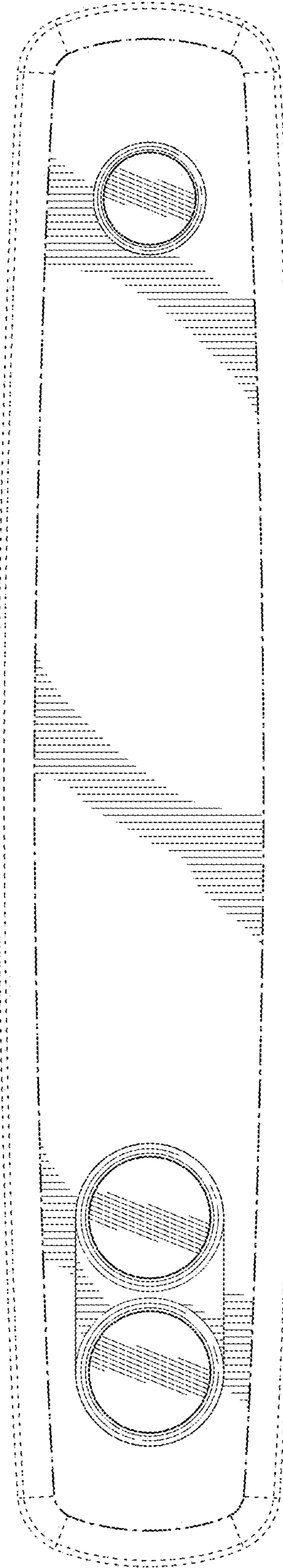


FIG. 3

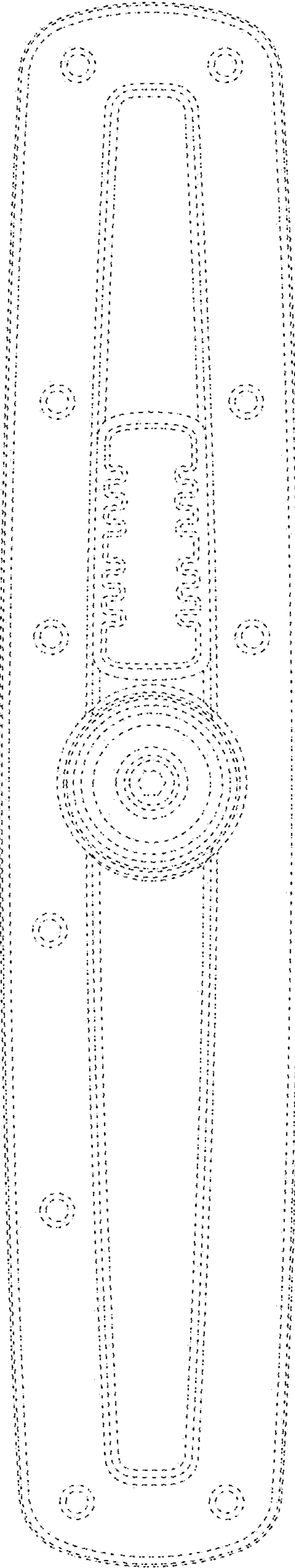


FIG. 4

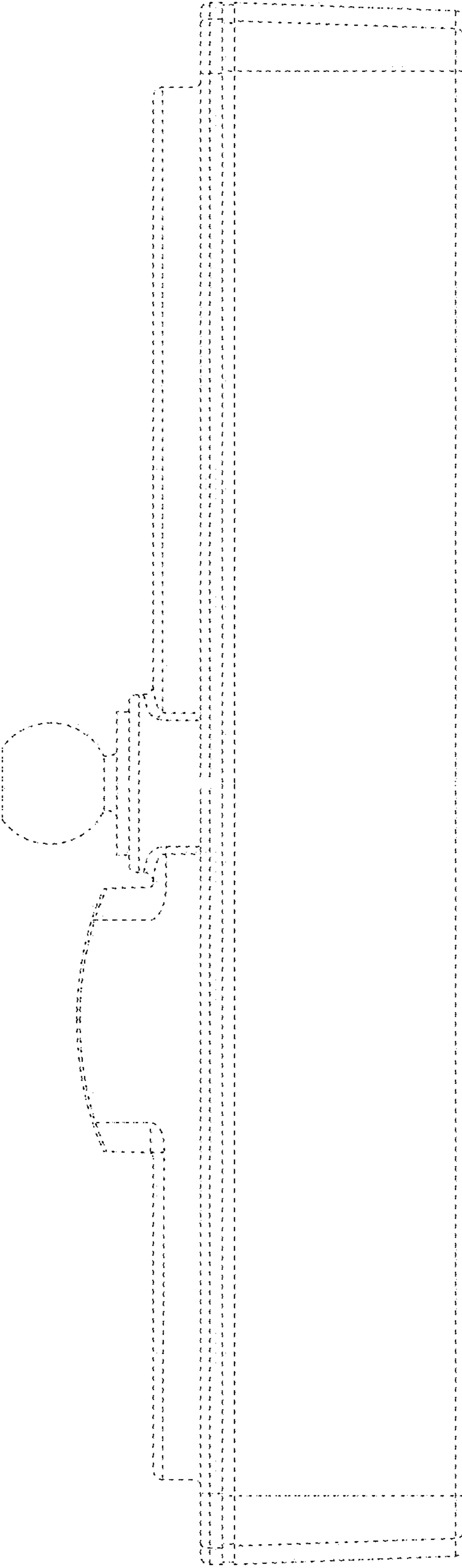


FIG. 5

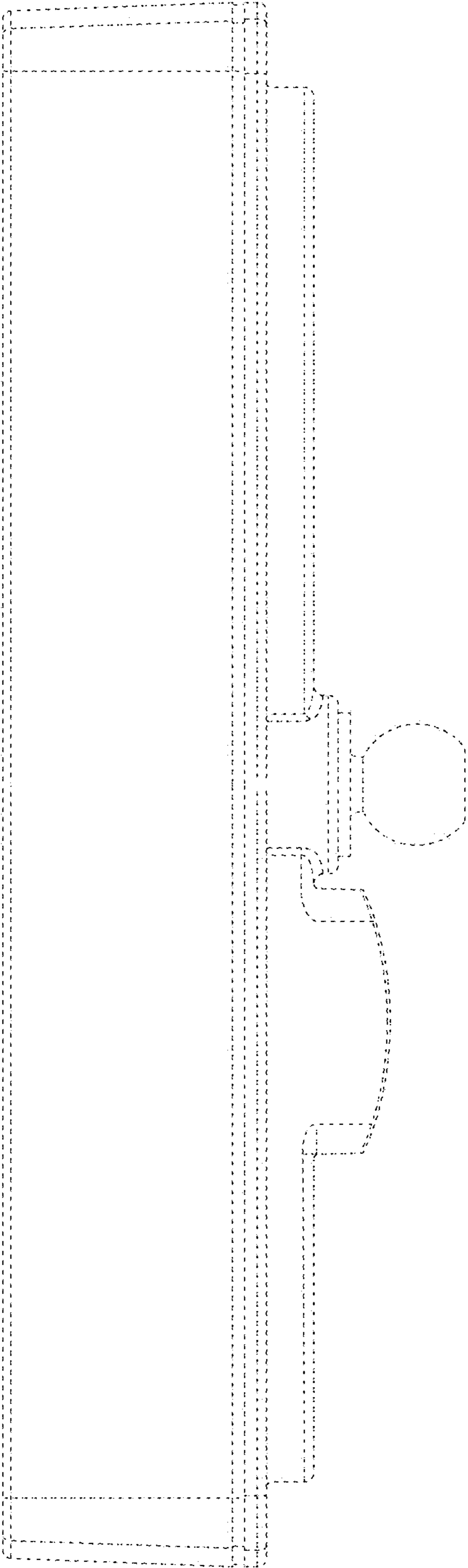
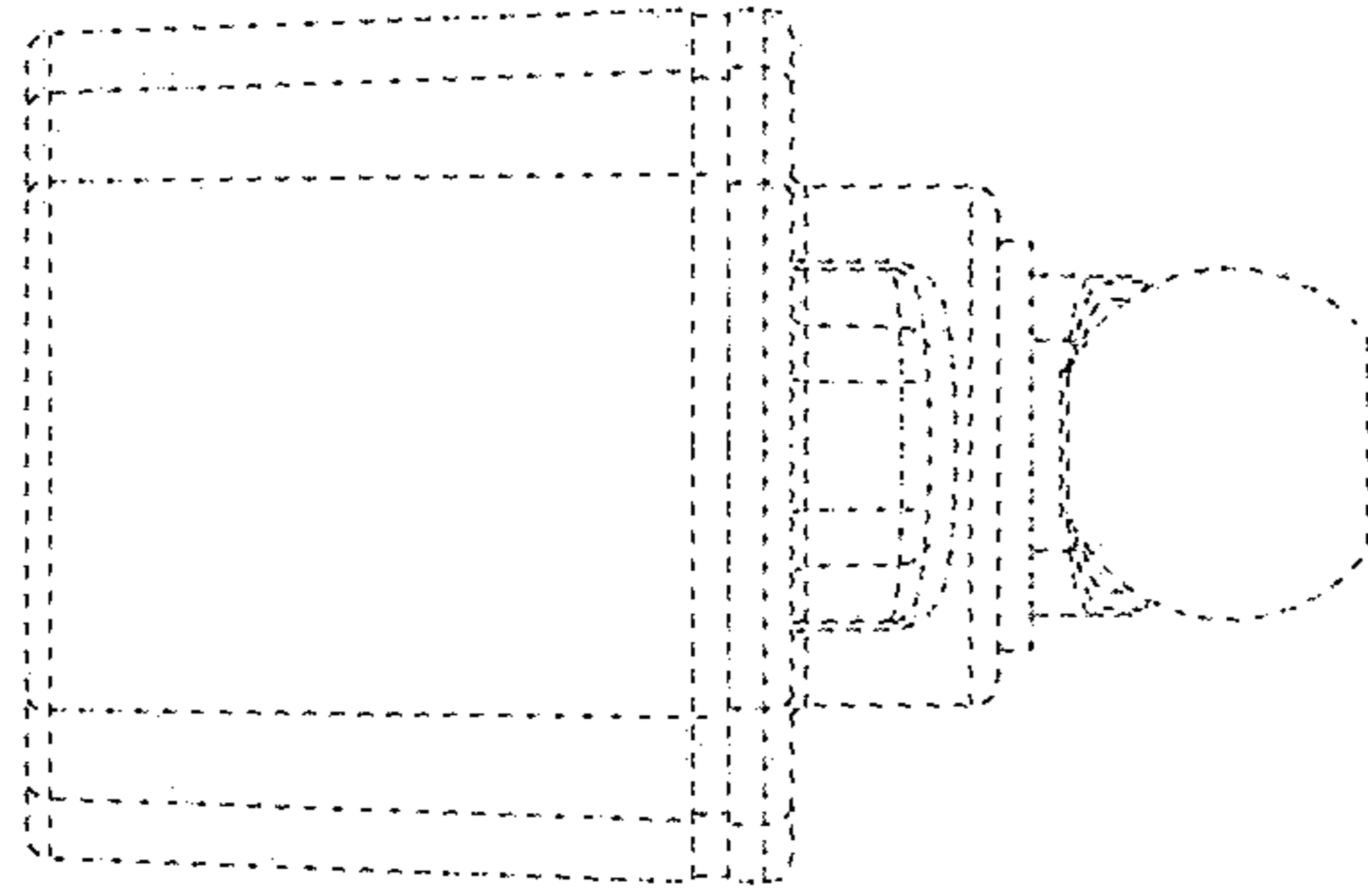
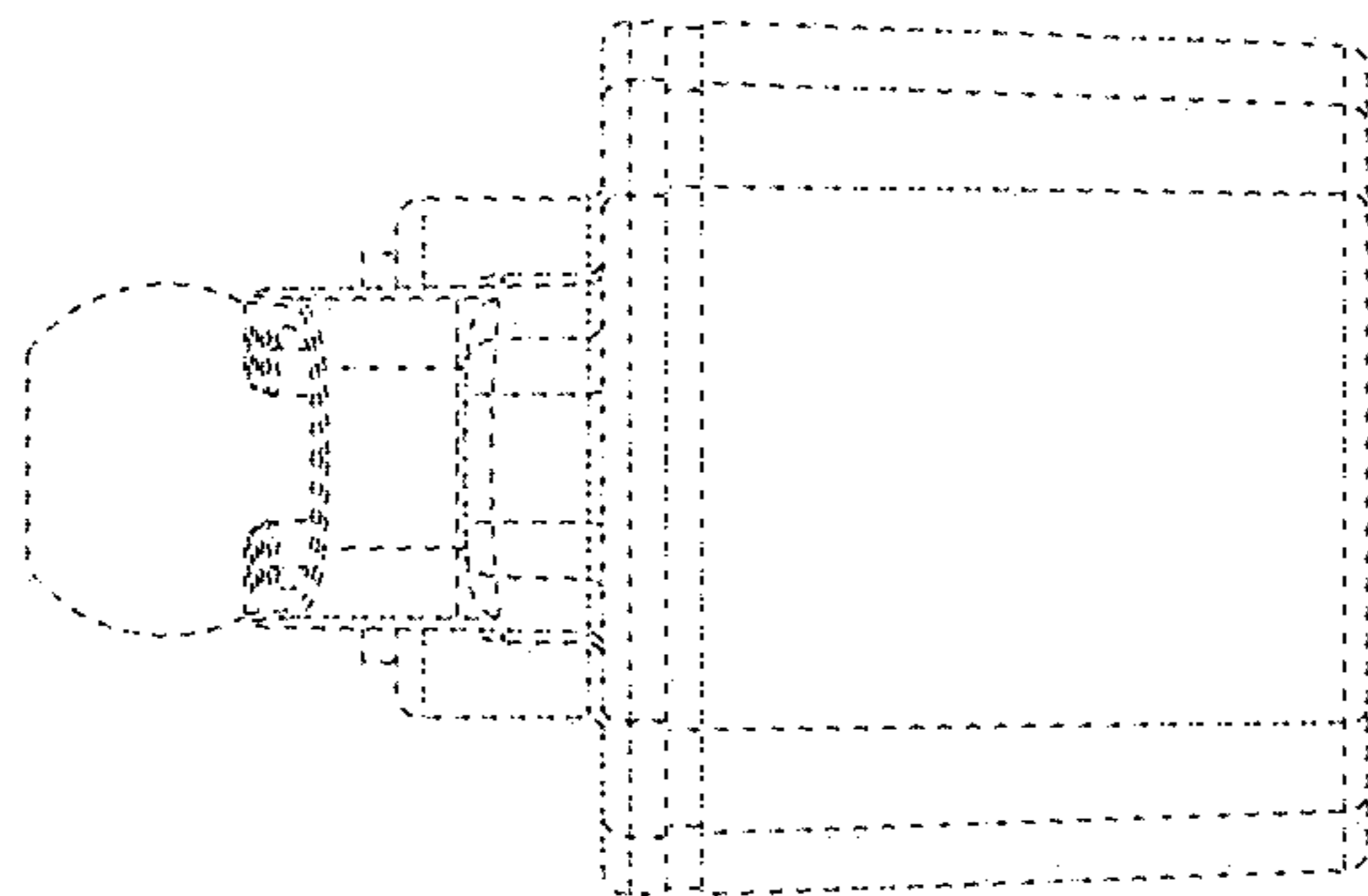


FIG. 6



**FIG. 8**



**FIG. 7**