



US00D872790S

(12) **United States Design Patent** (10) **Patent No.:** **US D872,790 S**  
**Hasegawa et al.** (45) **Date of Patent:** **\*\* Jan. 14, 2020**

(54) **NETWORK CAMERA**

(71) Applicant: **Panasonic Intellectual Property Management Co., Ltd.**, Osaka-shi, Osaka (JP)

(72) Inventors: **Takashi Hasegawa**, Kyoto (JP); **Toshiaki Sakamoto**, Tokyo (JP)

(73) Assignee: **Panasonic Intellectual Property Management Co., Ltd.**, Osaka (JP)

D620,514 S 7/2010 Kim et al.  
D627,815 S \* 11/2010 Oba ..... D16/202  
D632,718 S 2/2011 Tzeng  
D649,573 S \* 11/2011 Al ..... H04N 5/2252  
D697,119 S \* 1/2014 Park ..... D16/202  
D736,845 S 8/2015 Yilin  
D743,467 S 11/2015 Bhattacharya  
D795,938 S \* 8/2017 Ravat ..... D16/202  
D806,773 S \* 1/2018 Wieser ..... D16/203  
D819,715 S \* 6/2018 Laurans ..... D16/203  
D849,077 S \* 5/2019 Tian ..... G08B 13/19619  
D16/202  
2013/0038728 A1 \* 2/2013 Kim ..... H04N 5/2252  
348/143

(\*\*) Term: **15 Years**

(21) Appl. No.: **29/656,391**

(22) Filed: **Jul. 12, 2018**

(51) **LOC (12) Cl.** ..... **16-01**

(52) **U.S. Cl.**  
USPC ..... **D16/202**

(58) **Field of Classification Search**  
USPC ..... D16/200, 202–206, 218, 219, 242;  
348/143, 148, 151, 373–376; 396/419,  
396/427, 535, 539–541  
CPC ..... G03B 17/02; G03B 19/04; G03B 17/56;  
G03B 17/04; G03B 15/03; H04N 5/2251;  
H04N 5/2252; H04N 5/2253; H04N  
5/2254; H04N 7/181; H04N 7/183; H04N  
7/18; G08B 13/1963; G08B 13/19619;  
G08B 13/19632; F16M 11/04; F16M  
13/00

See application file for complete search history.

(56) **References Cited**

**U.S. PATENT DOCUMENTS**

6,705,774 B2 \* 3/2004 Tashiro ..... G08B 13/19619  
348/143  
D533,575 S \* 12/2006 Reawsanguanwong ..... D16/202  
D534,938 S \* 1/2007 Beasley ..... D14/130  
D550,267 S \* 9/2007 Oh ..... D16/202

**FOREIGN PATENT DOCUMENTS**

JP D1530784 8/2015

\* cited by examiner

*Primary Examiner* — Ramzi S Almatrahi

(74) *Attorney, Agent, or Firm* — Brinks Gilson & Lione

(57) **CLAIM**

We claim the ornamental design for a network camera, as shown and described.

**DESCRIPTION**

FIG. 1 is a front perspective view of a network camera of the present invention;

FIG. 2 is a front view thereof;

FIG. 3 is a rear view thereof;

FIG. 4 is a left side view thereof;

FIG. 5 is a right side view thereof;

FIG. 6 is a top view thereof; and,

FIG. 7 is a bottom view thereof.

The broken lines depict portions of the network camera in which the design is embodied that form no part of the claimed design.

**1 Claim, 7 Drawing Sheets**

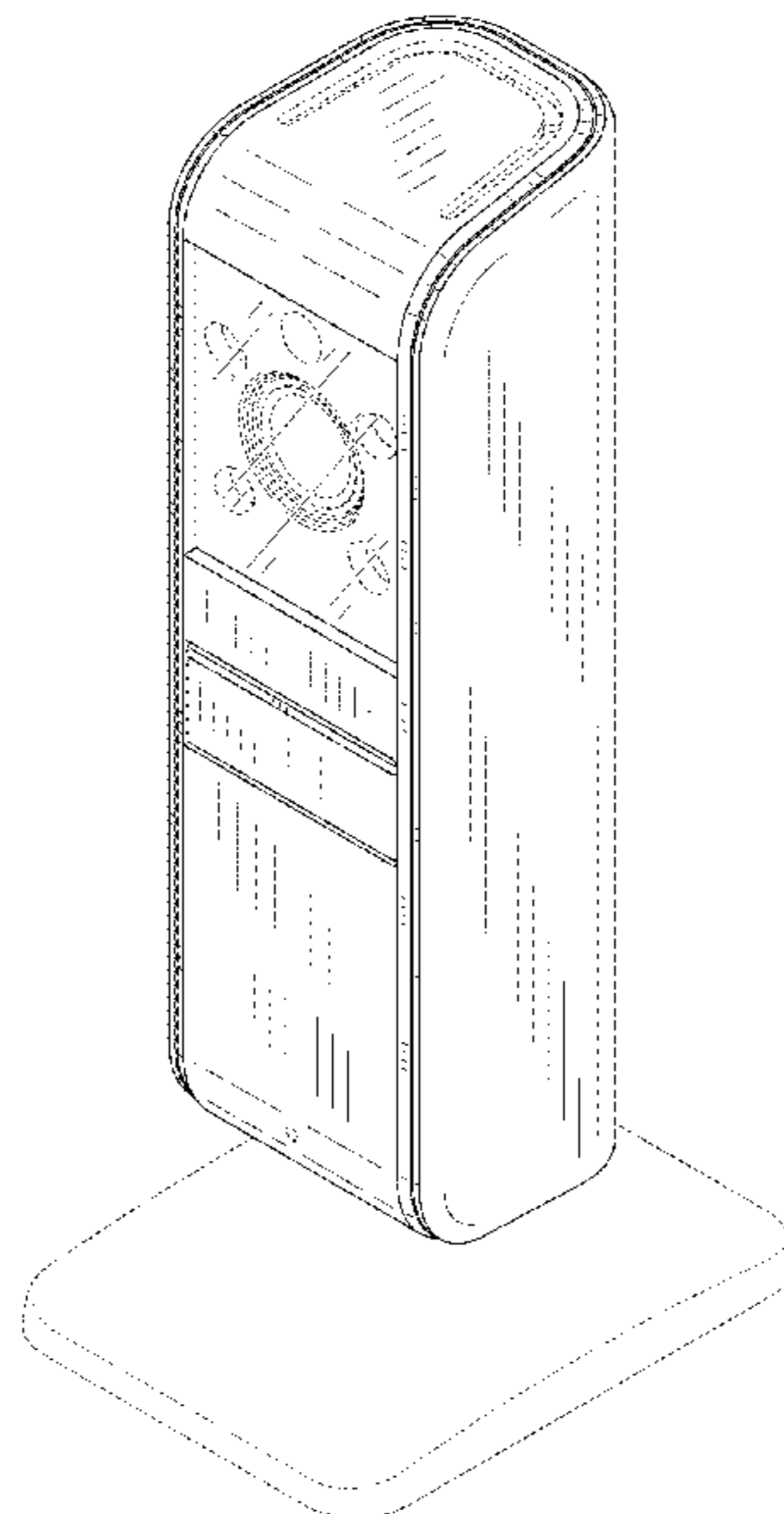


FIG. 1

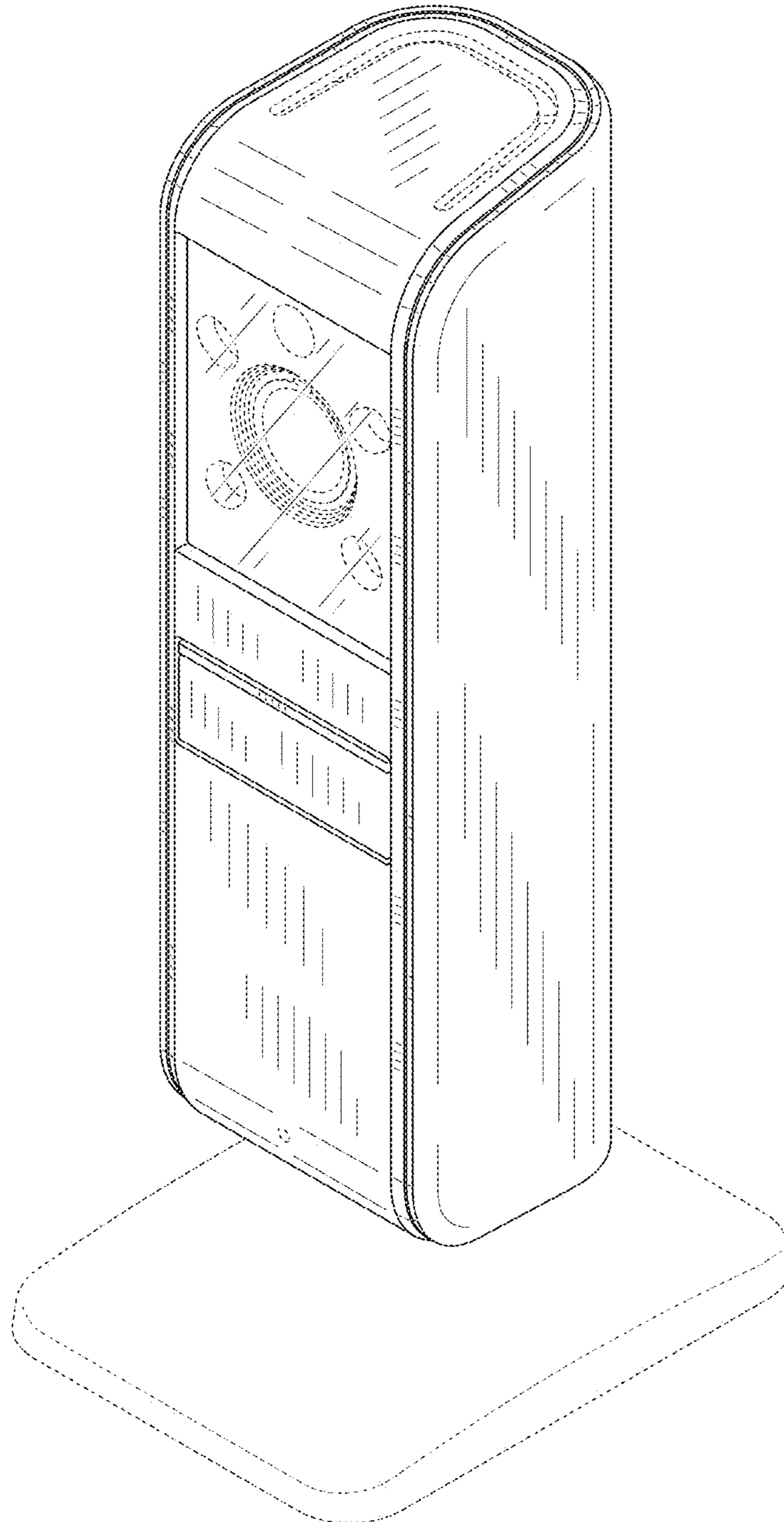


FIG. 2

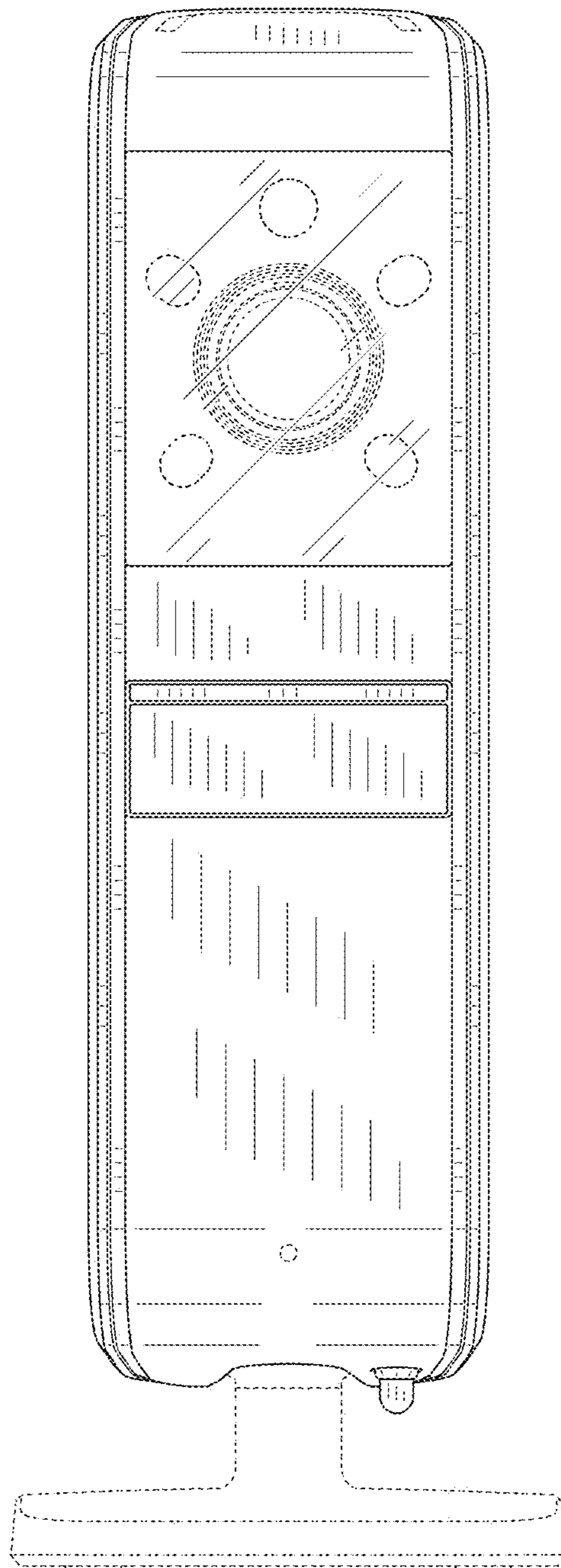


FIG. 3

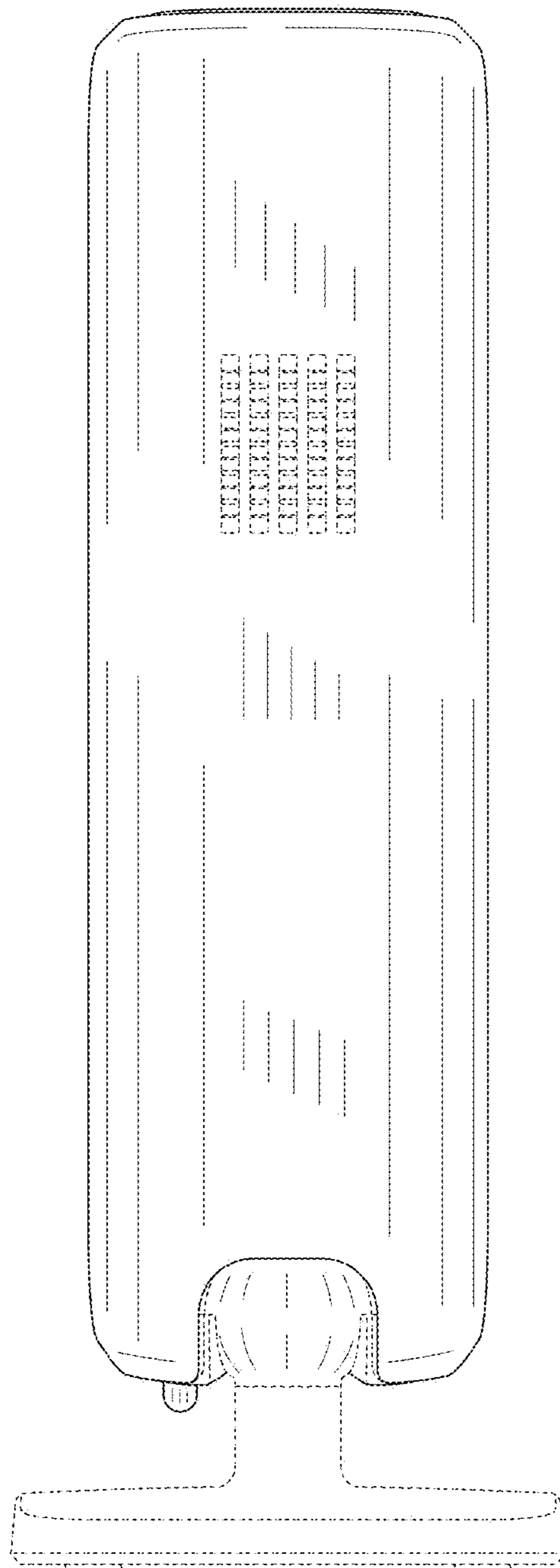


FIG. 4

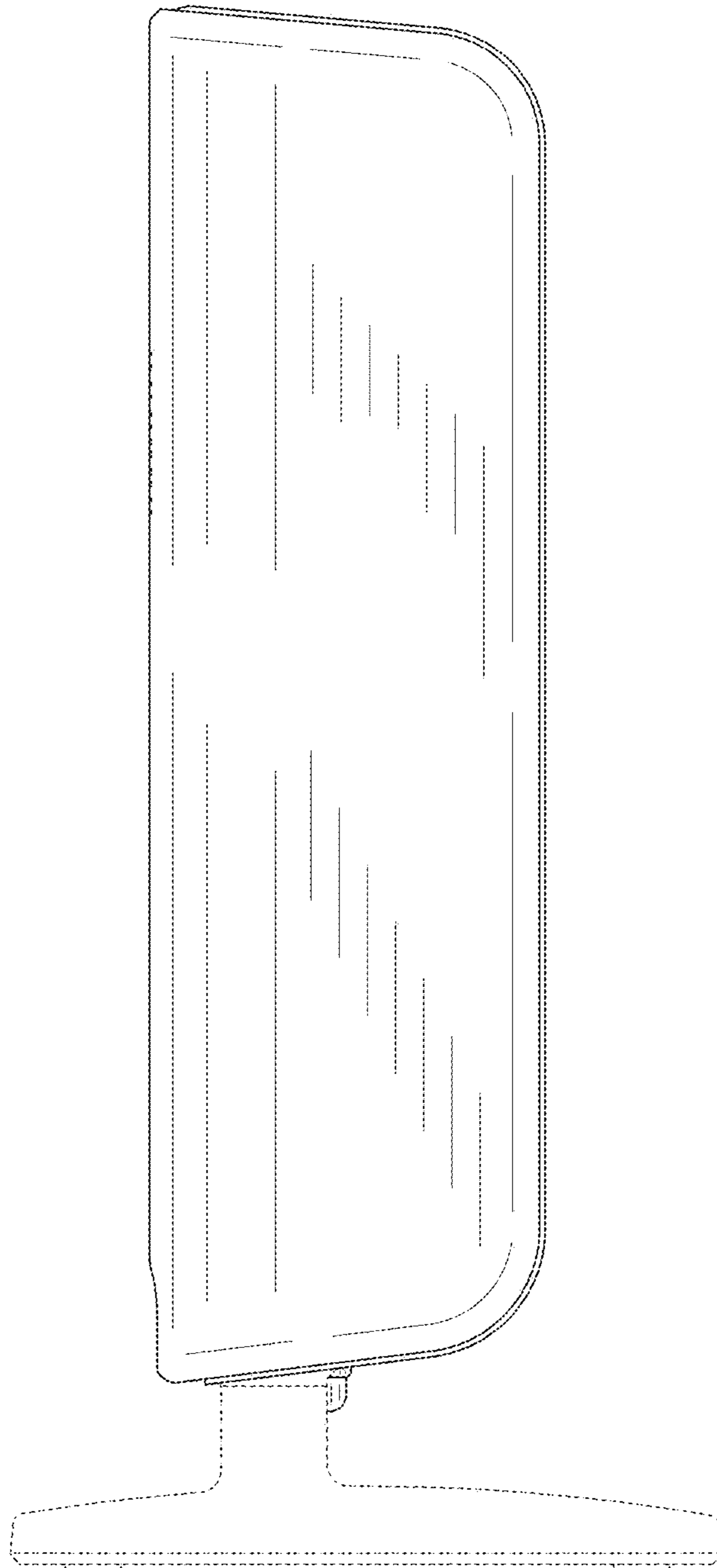


FIG. 5

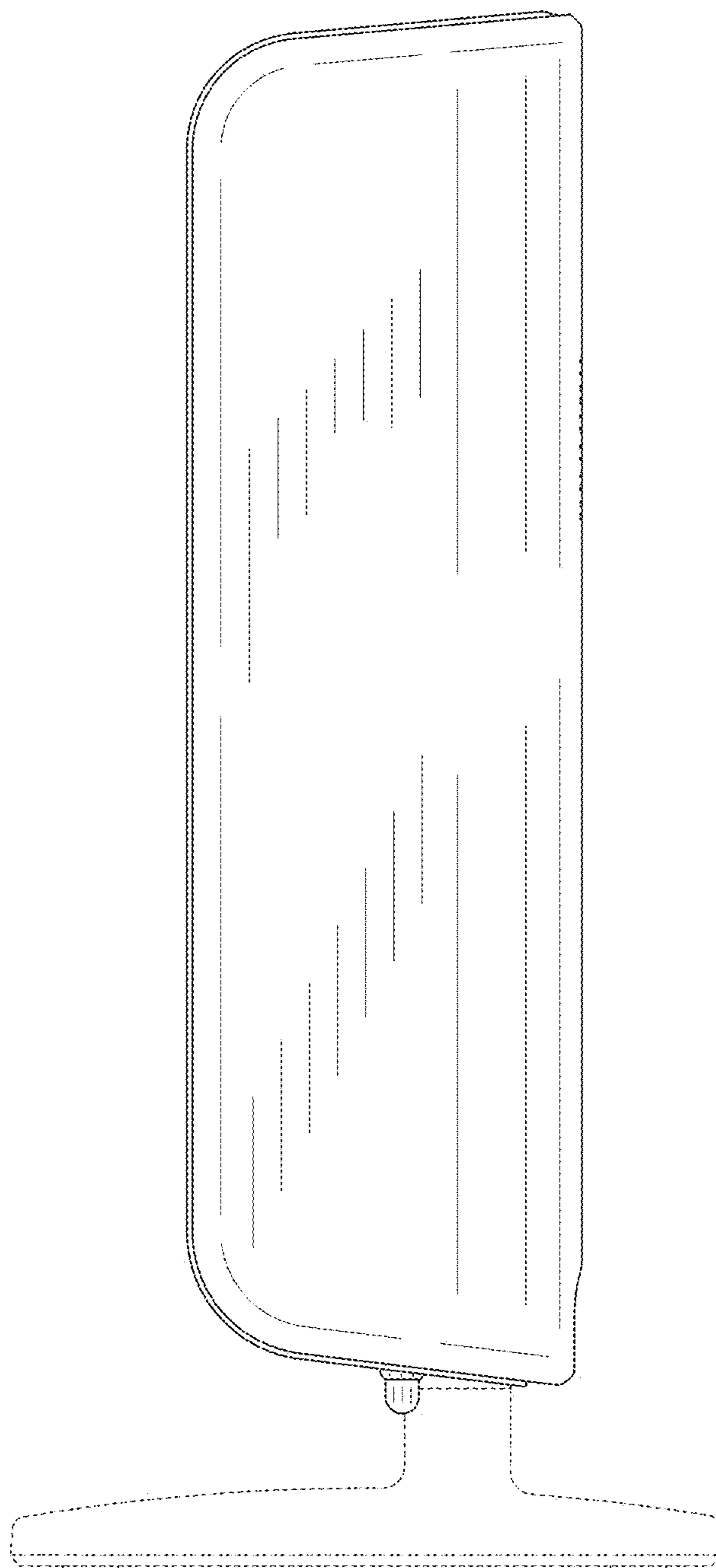


FIG. 6

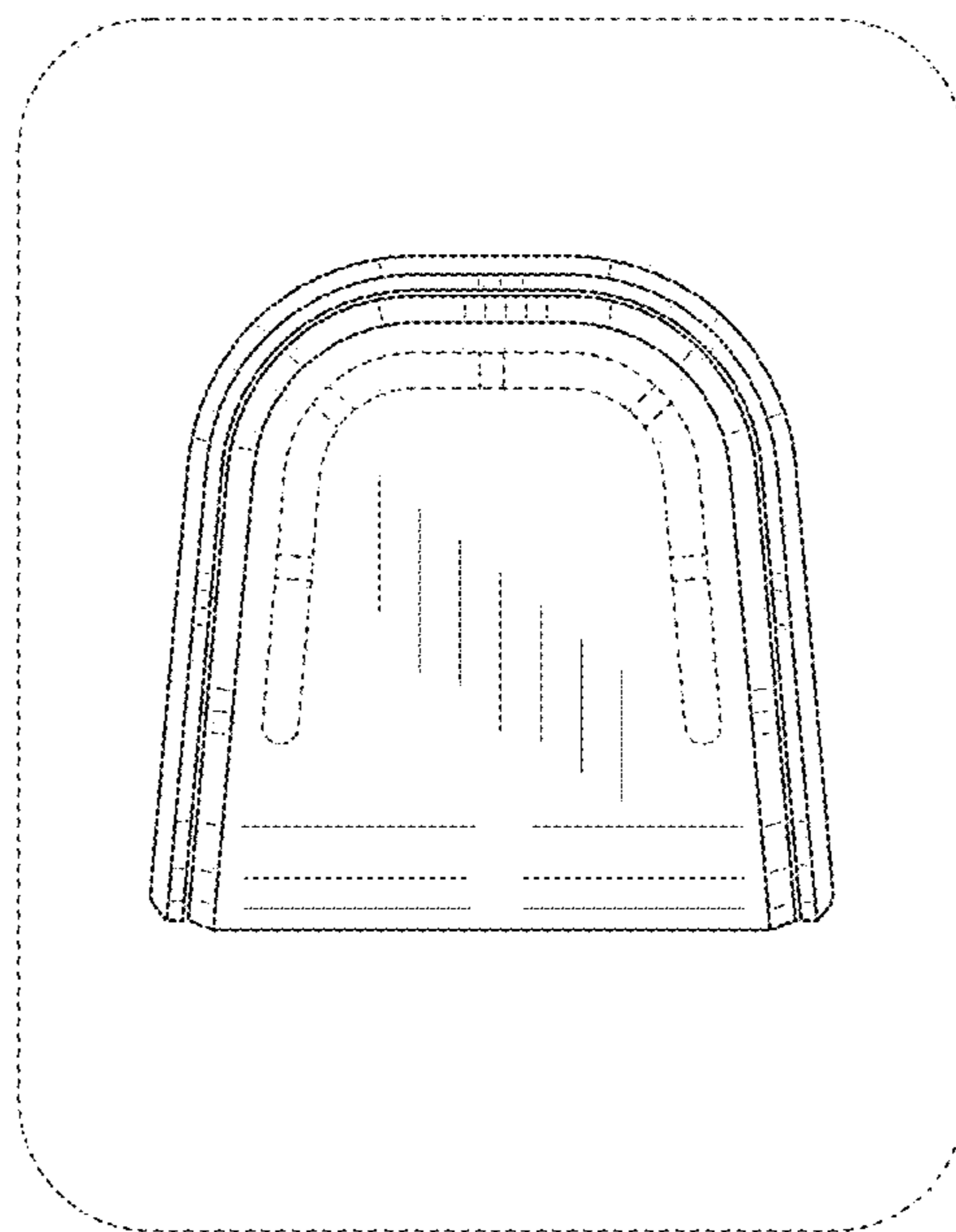


FIG. 7

