



US00D872789S

(12) **United States Design Patent**
Haavisto

(10) **Patent No.:** **US D872,789 S**
(45) **Date of Patent:** **** Jan. 14, 2020**

(54) **IMAGING DEVICE**
(71) Applicant: **Grundium Oy**, Tampere (FI)
(72) Inventor: **Janne Haavisto**, Kangasala (FI)
(73) Assignee: **GRUNDIUM OY**, Tampere (FI)
(**) Term: **15 Years**
(21) Appl. No.: **29/640,936**

D546,356 S *	7/2007	Apotheloz	D16/131
D663,338 S *	7/2012	Okamoto	D16/131
D690,342 S *	9/2013	Funakoshi	D16/131
D693,866 S *	11/2013	Au	D16/131
D695,801 S *	12/2013	Hagmann	D16/131
D784,433 S *	4/2017	Weber	D16/131
D785,690 S *	5/2017	Klein	D16/131
D799,576 S *	10/2017	Apotheloz	D16/131
D812,665 S *	3/2018	Klein	D16/131
D819,104 S *	5/2018	Stohr	D16/131
D826,304 S *	8/2018	Apotheloz	D16/131

* cited by examiner

(22) Filed: **Mar. 19, 2018**
(30) **Foreign Application Priority Data**

Primary Examiner — Mark A Goodwin
Assistant Examiner — Benjamin M Weeks
(74) *Attorney, Agent, or Firm* — Young & Thompson

Sep. 19, 2017 (EM) 4361814-0001
(51) **LOC (12) Cl.** **16-06**
(52) **U.S. Cl.**
USPC **D16/131**
(58) **Field of Classification Search**
USPC D16/130, 131, 133, 132, 134–136
CPC G02B 2027/0123; G02B 2027/0132
See application file for complete search history.

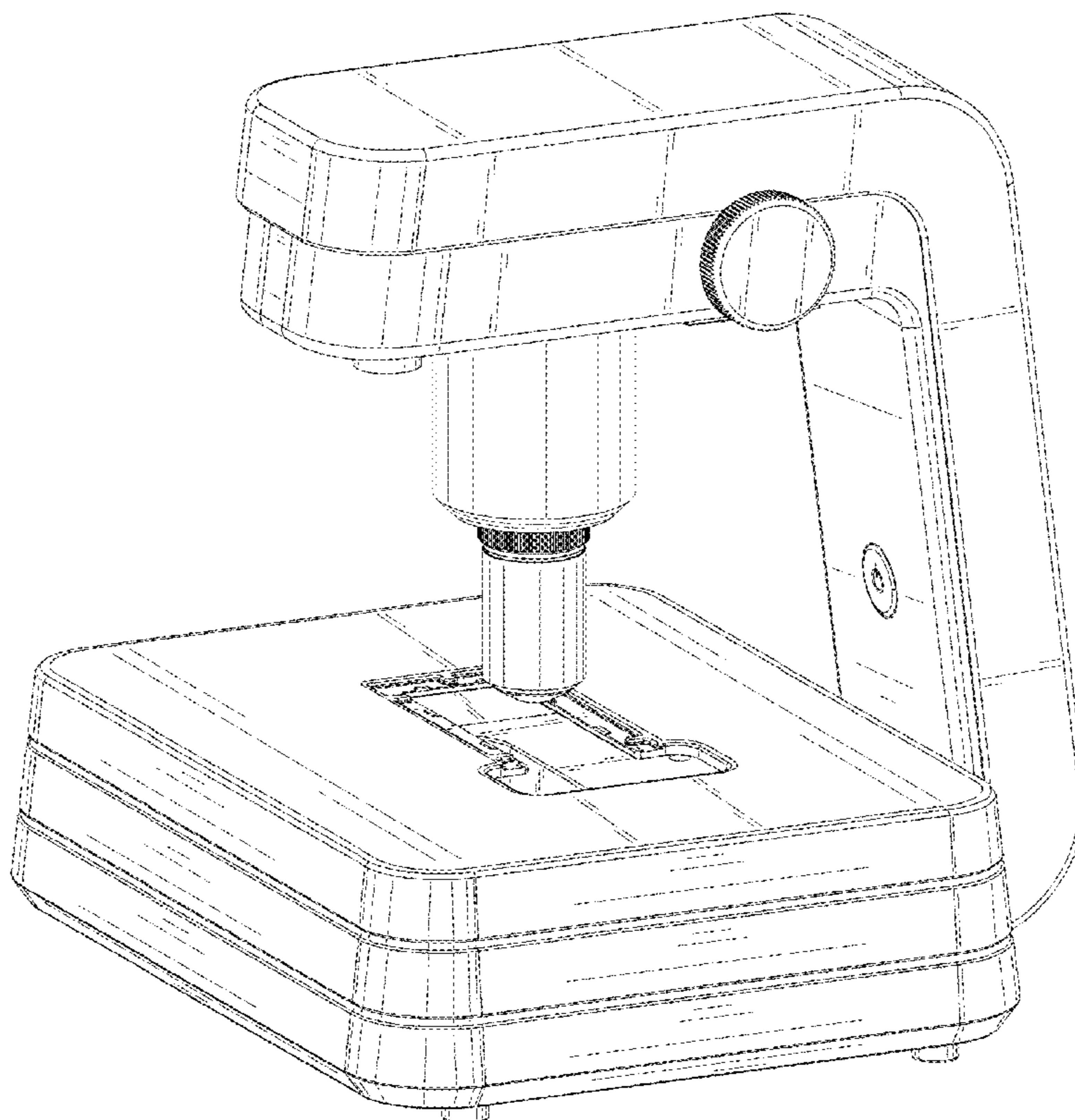
(57) **CLAIM**
The ornamental design for an imaging device, as shown and described.

(56) **References Cited**
U.S. PATENT DOCUMENTS
D290,129 S * 6/1987 Kahute D16/131
D354,299 S * 1/1995 Hofmann-Igl D16/131
D367,869 S * 3/1996 Hofmann-Igl D16/130
D516,595 S * 3/2006 Apotheloz D16/131
D546,355 S * 7/2007 Apotheloz D16/131

DESCRIPTION

FIG. 1 is a front, left side and top perspective view of an imaging device showing the new design; FIG. 2 is a front elevation view thereof; FIG. 3 is a rear elevation view thereof; FIG. 4 is a right side elevation view thereof; FIG. 5 is a left side elevation view thereof; FIG. 6 is a top plan view thereof; and, FIG. 7 is a bottom plan view thereof. The broken lines are for the purpose of illustrating portions of the article that form no part of the claimed design.

1 Claim, 7 Drawing Sheets



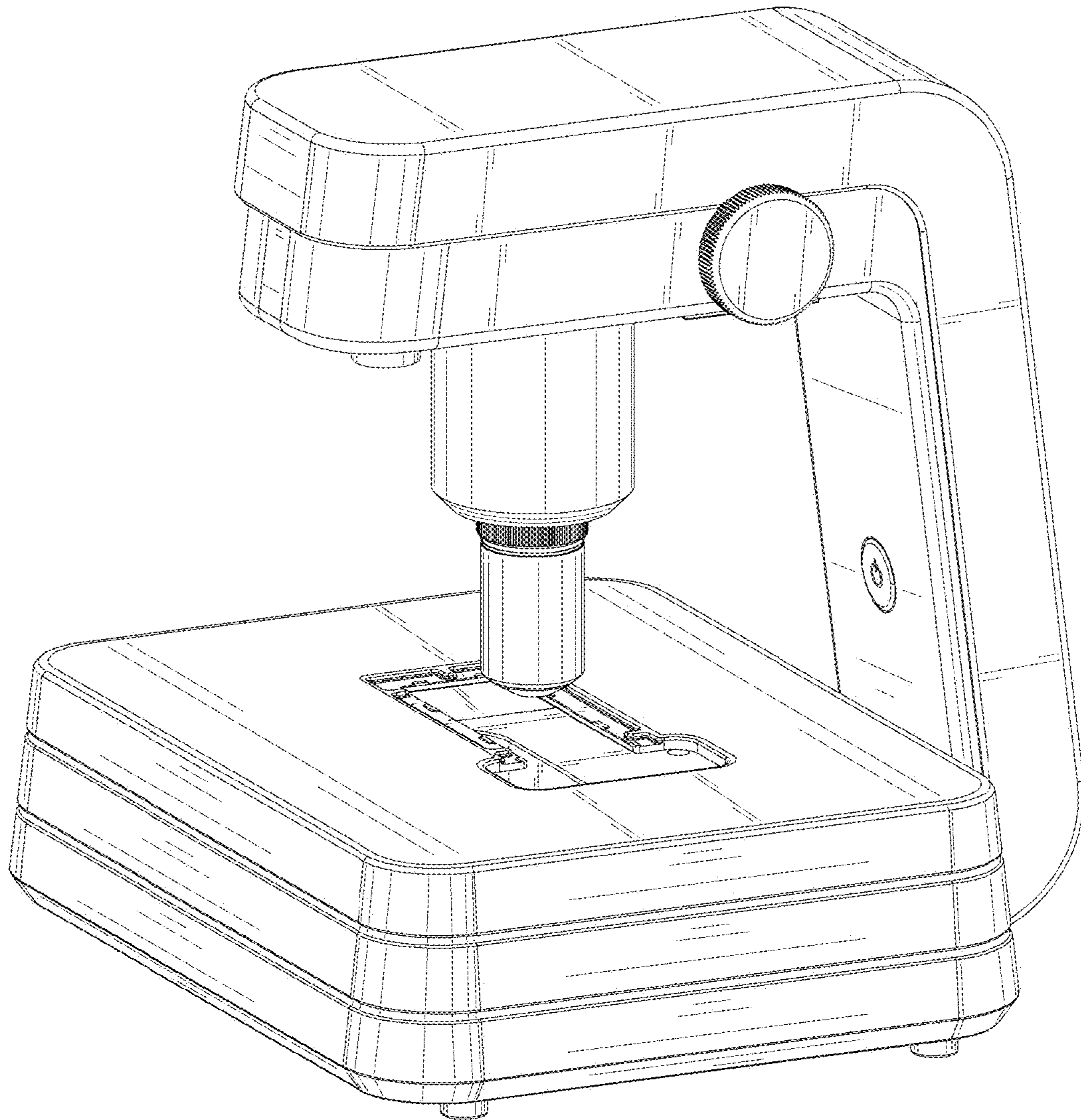


FIG. 1

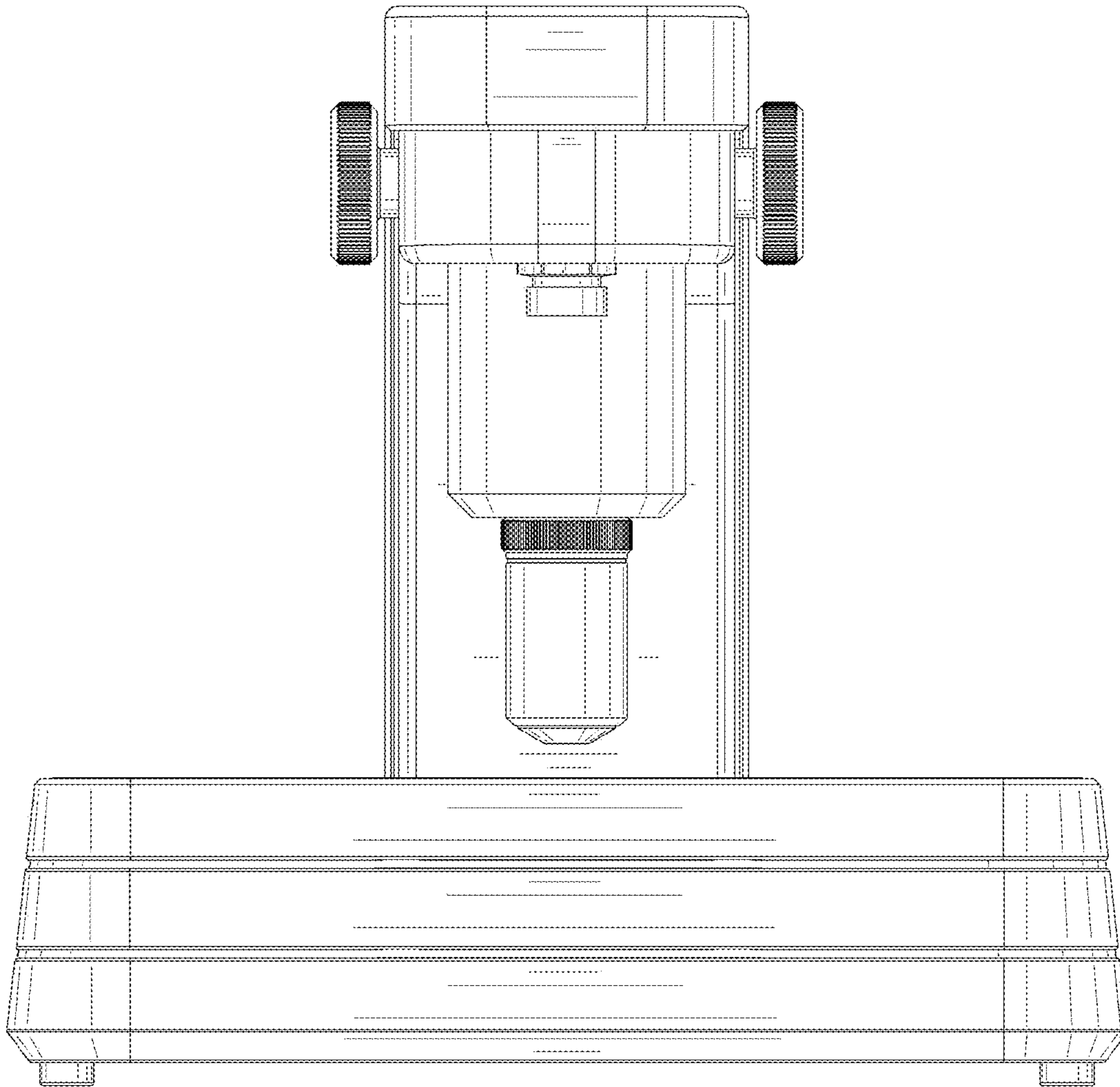


FIG. 2

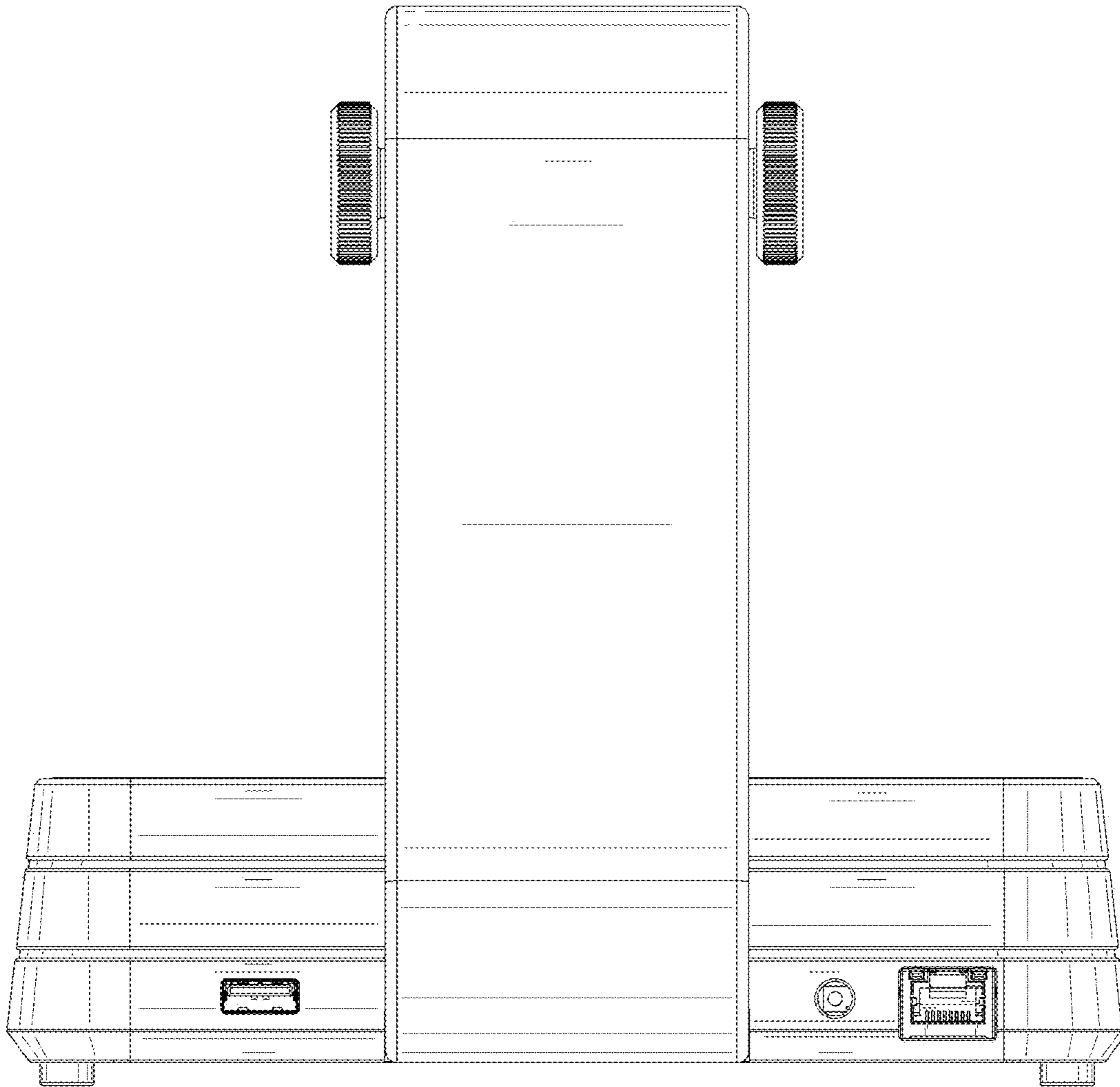


FIG. 3

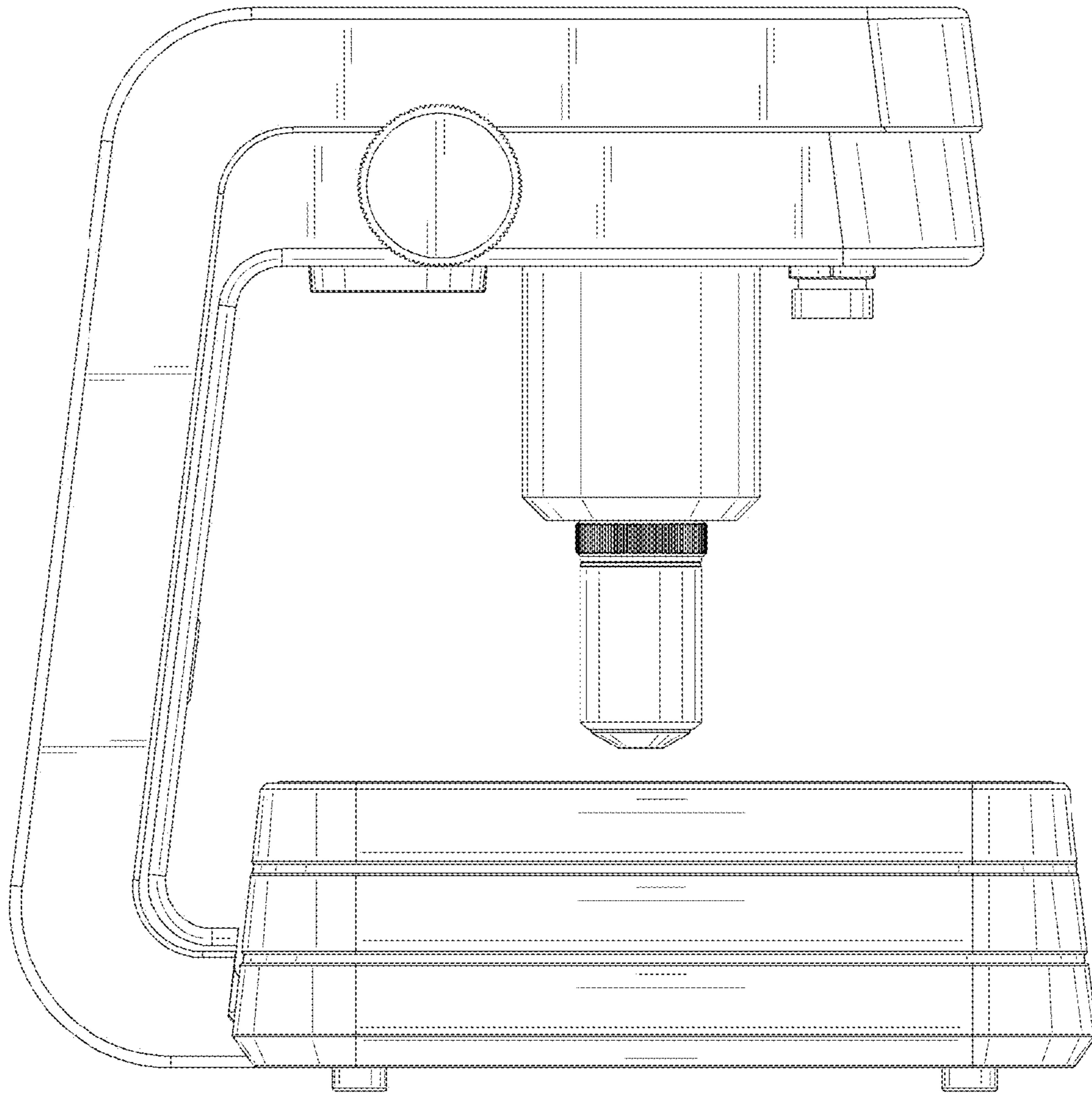


FIG. 4

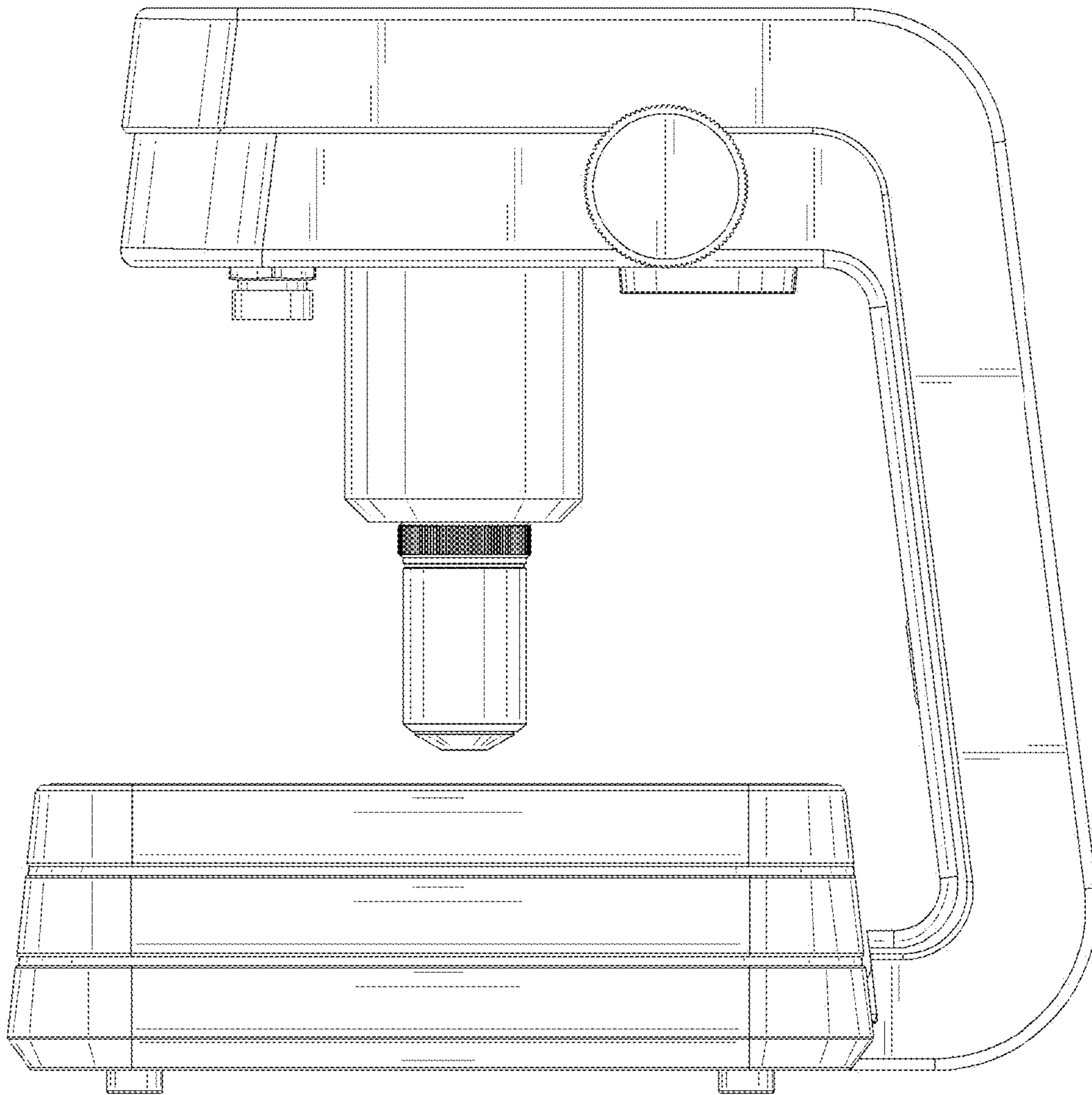


FIG. 5

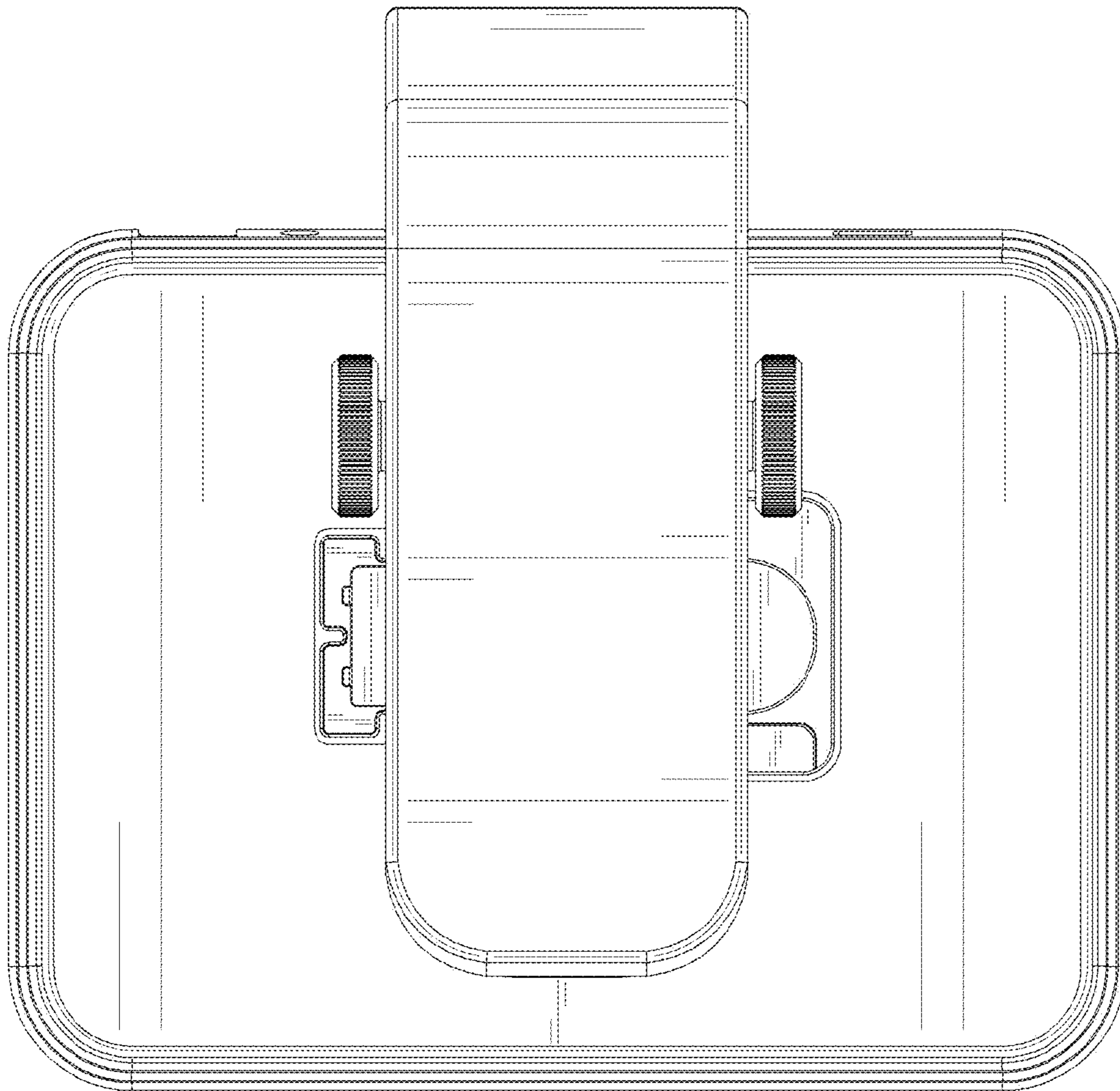


FIG. 6

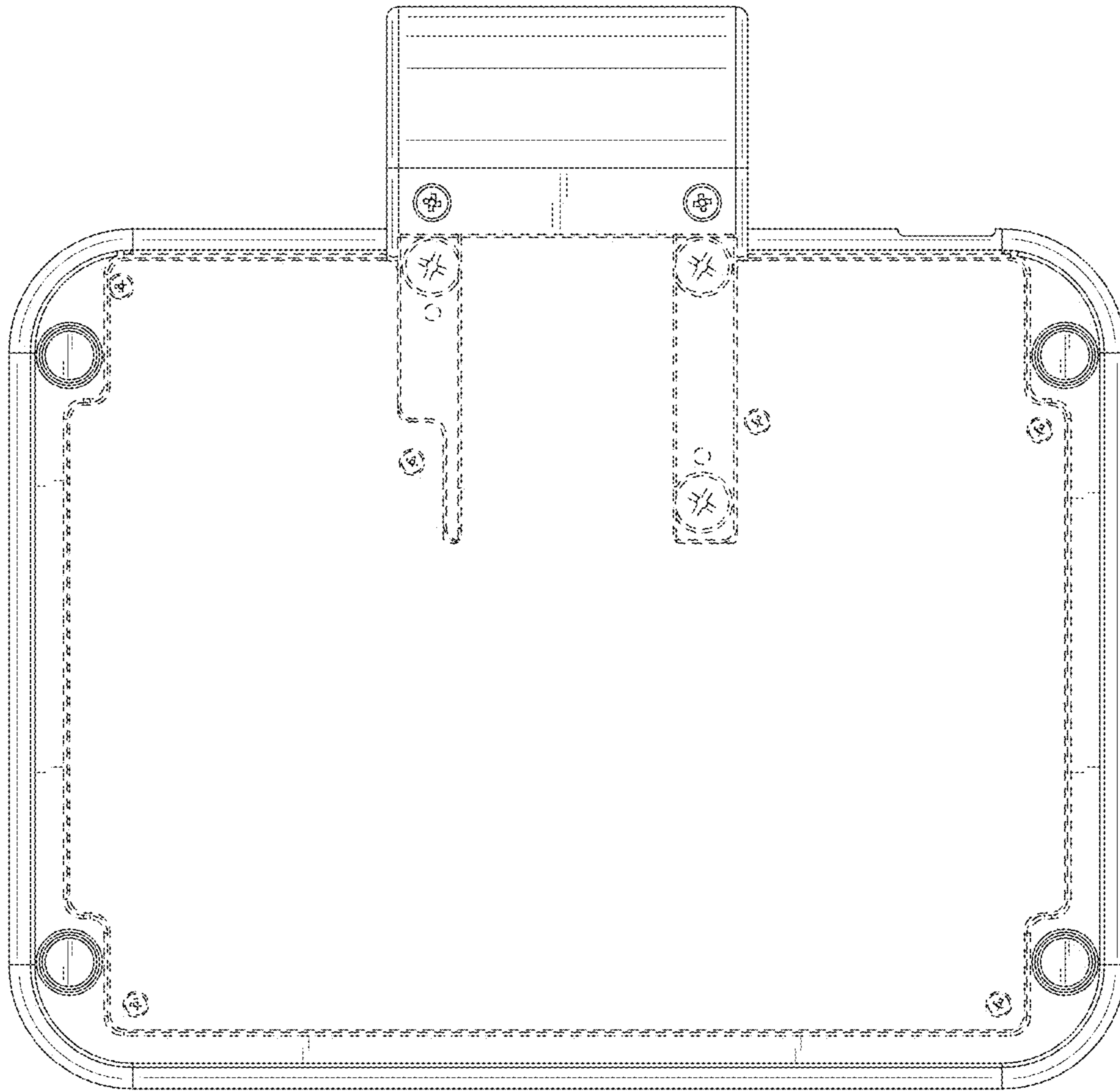


FIG. 7