



US00D872787S

(12) **United States Design Patent**
Lan

(10) **Patent No.:** **US D872,787 S**
(45) **Date of Patent:** **** Jan. 14, 2020**

(54) **ROLL-UP DOOR MOTOR**

(71) Applicant: **TMT AUTOMATION INC.**, Taipei (TW)

(72) Inventor: **Hung-Wei Lan**, Taipei (TW)

(73) Assignee: **TMT AUTOMATION INC.**, Taipei (TW)

(**) Term: **15 Years**

(21) Appl. No.: **29/665,599**

(22) Filed: **Oct. 4, 2018**

(51) **LOC (12) Cl.** **15-03**

(52) **U.S. Cl.**
USPC **D15/148**

(58) **Field of Classification Search**
USPC D15/1, 3, 5, 143, 148, 149, 199;
D13/110, 199

CPC F16H 48/08; F16H 2200/0034; F16H 2200/2005; F16H 2200/2012; F16H 2200/2046; F16H 2200/2064; F16H 2200/2094; F16H 37/0813; F16H 3/54; F16H 3/66; F16H 48/40; F16H 15/10; F16H 19/001; F16H 1/145; F16H 1/20; F16H 1/203; F16H 1/222; F16H 1/225; F16H 1/2845; F16H 2003/0822; F16H 2003/445; F16H 2037/026; F16H 2037/049; F16H 2048/085; F16H 2048/346; F16H 2048/364; F16H 2048/368; F16H 2048/382; F16H 2057/0087; F16H 2057/0216; F16H 2059/0239; F16H 2059/026; F16H 2063/3093; F16H 2200/0065; F16H 2200/0069; F16H 2200/0073; F16H 2200/0082; F16H 2200/2023; F16H 2200/2035; F16H 2200/2056; F16H 2200/2097; F16H 35/02; F16H 37/022; F16H 37/041; F16H 37/042; F16H 3/08; F16H 3/42; F16H 3/60; F16H 3/663; F16H 3/666; F16H 3/72; F16H 3/728; F16H 48/24; F16H 48/34; F16H 48/36;

F16H 48/38; F16H 48/42; F16H 55/08; F16H 57/0037; F16H 57/021; F16H 57/025; F16H 57/03; F16H 57/031; F16H 57/035; F16H 57/04; F16H 57/0415; F16H 57/0435; F16H 57/0441; F16H 57/0476; F16H 57/10; F16H 59/0204; F16H 59/041; F16H 59/044; F16H 59/105; F16H 61/02; F16H 61/0213; F16H 61/36; F16H 61/66259; F16H 63/04; F16H 63/3026; F16H 63/50

See application file for complete search history.

(56) **References Cited**

U.S. PATENT DOCUMENTS

D467,258 S *	12/2002	Tsergas	D15/148
D492,333 S *	6/2004	Guzman	D15/148
D519,138 S *	4/2006	Guzman	D15/148
D630,650 S *	1/2011	Hsu	D13/112
D643,449 S *	8/2011	Lan	D15/143

(Continued)

Primary Examiner — Khawaja Anwar

(74) *Attorney, Agent, or Firm* — Chun-Ming Shih; HDLS IPR Services

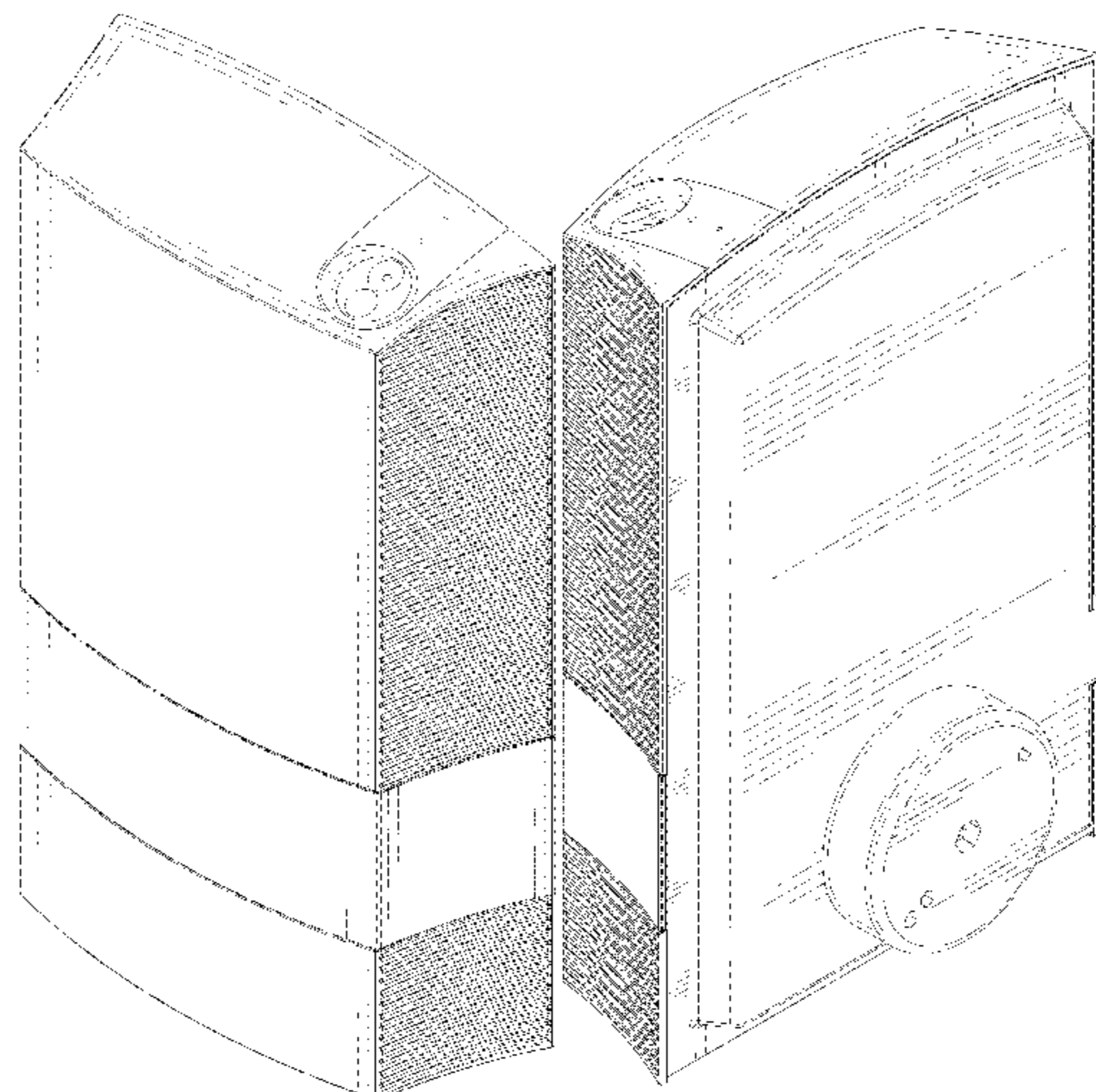
(57) **CLAIM**

The ornamental design for a roll-up door motor, as shown and described.

DESCRIPTION

FIG. 1 is a perspective view of a roll-up door motor showing my new design;
FIG. 2 is a front view thereof;
FIG. 3 is a rear view thereof;
FIG. 4 is a left side view thereof;
FIG. 5 is a right side view thereof;
FIG. 6 is a top view thereof;
FIG. 7 is a bottom view thereof; and,
FIG. 8 is a second perspective view showing the roll-up door motor.

1 Claim, 8 Drawing Sheets



(56)

References Cited

U.S. PATENT DOCUMENTS

D652,058	S	*	1/2012	Gherlenda	D15/1
D653,616	S	*	2/2012	Choi	D13/110
D654,024	S	*	2/2012	Choi	D13/110
D705,816	S	*	5/2014	Katada	D13/112
D706,304	S	*	6/2014	Katada	D13/112
D795,935	S	*	8/2017	Jorgensen	D15/148
D846,612	S	*	4/2019	Baer	D15/148
D864,863	S	*	10/2019	Lee	D13/110

* cited by examiner

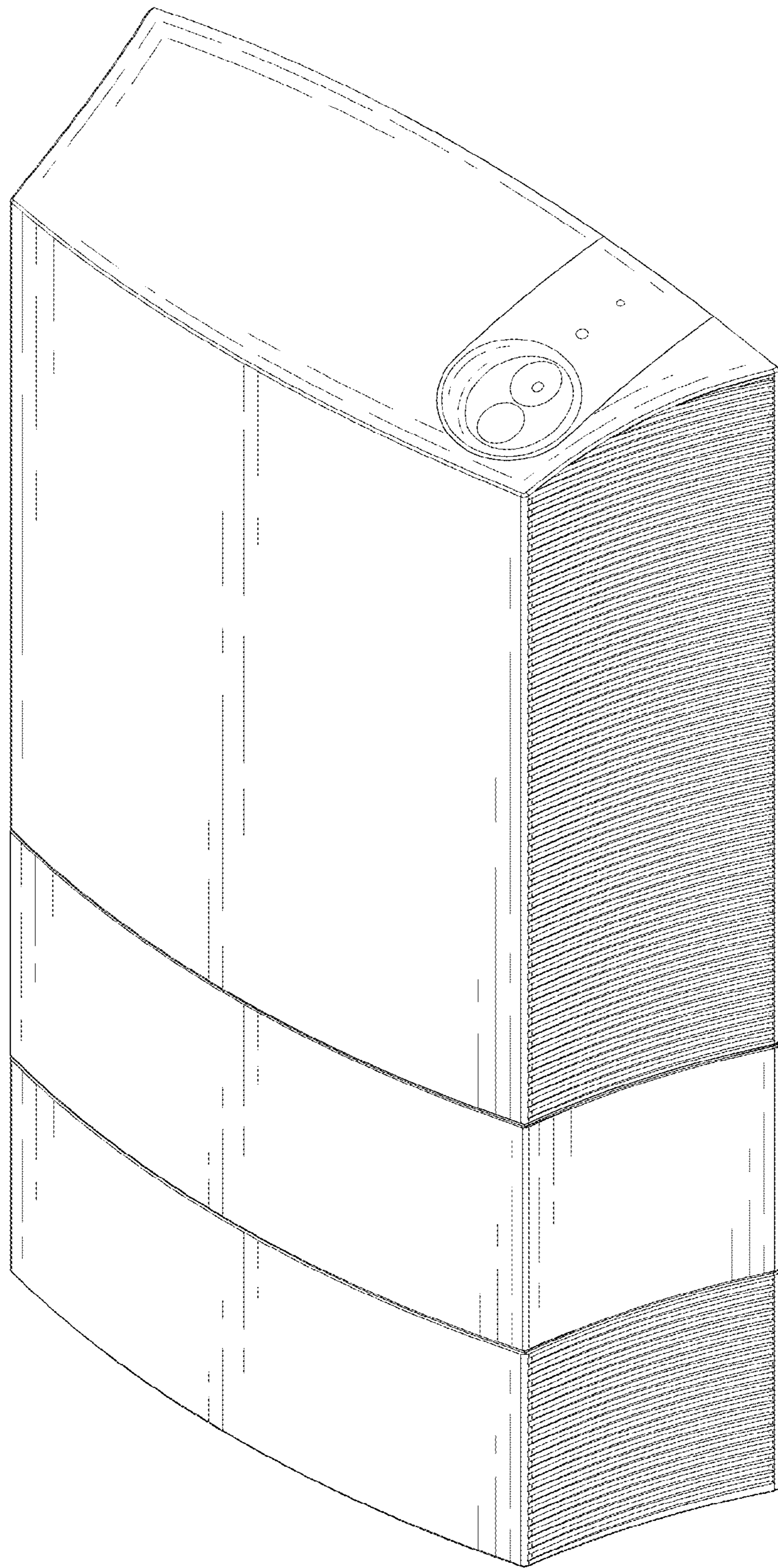


FIG.1

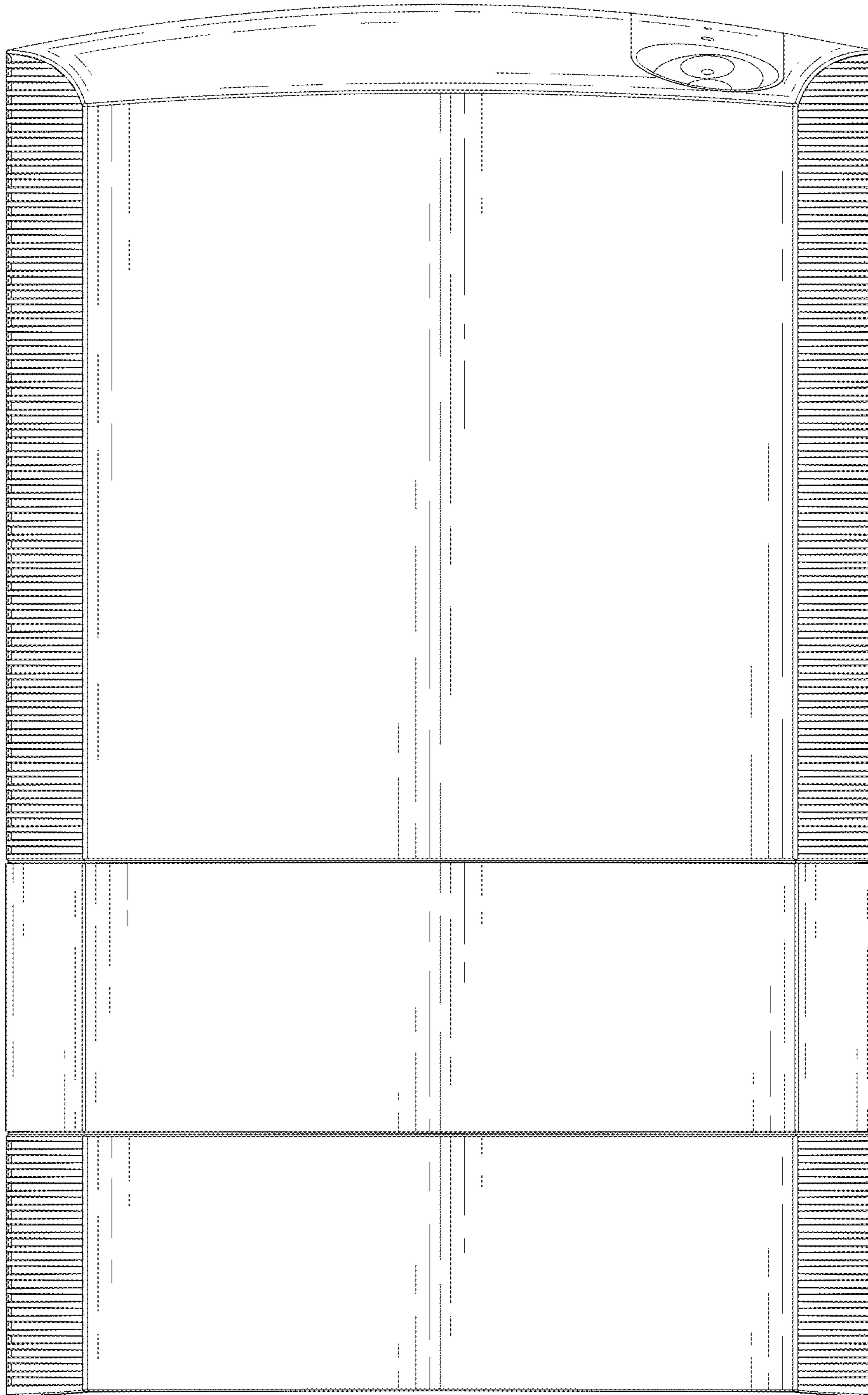


FIG.2

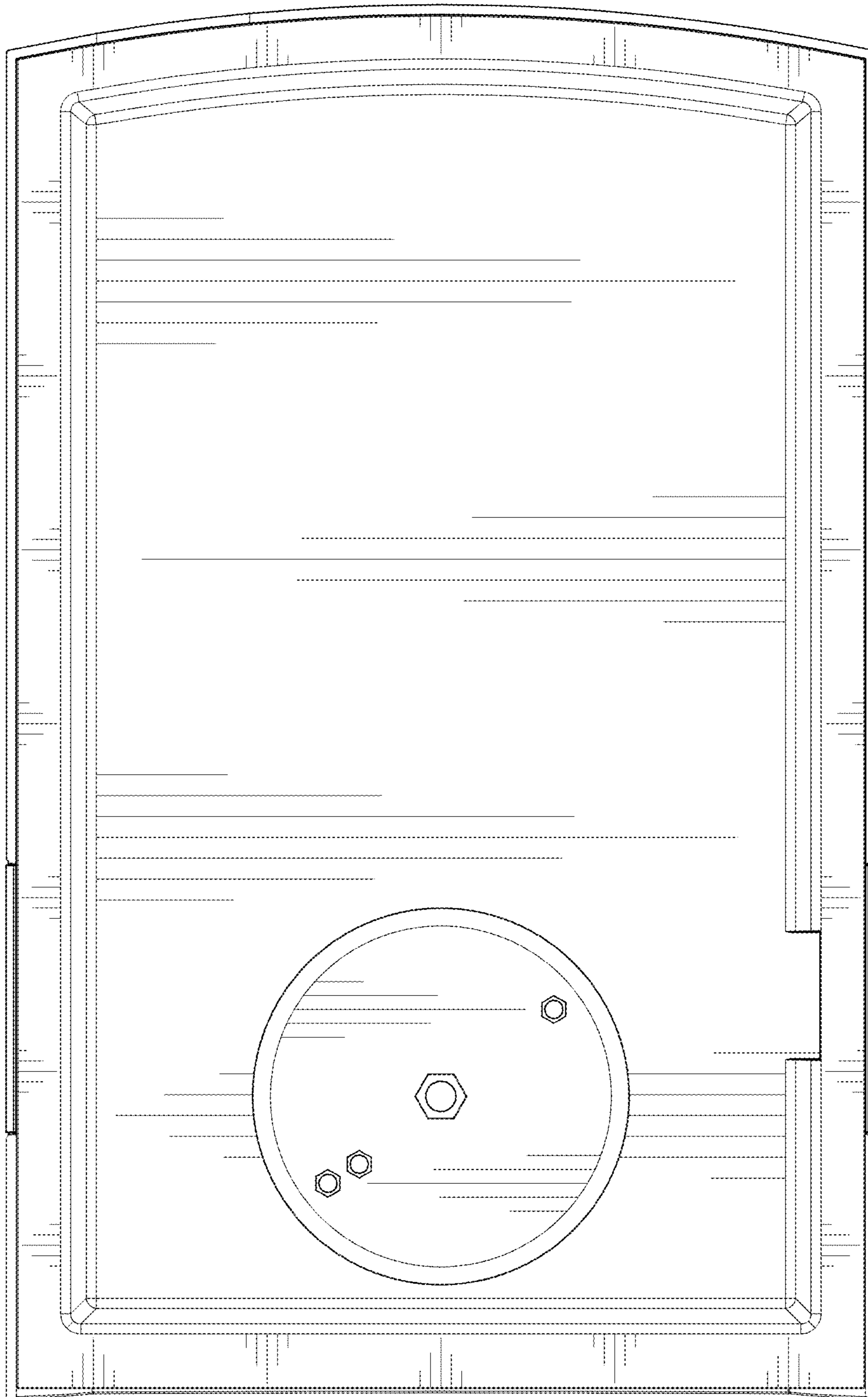


FIG.3

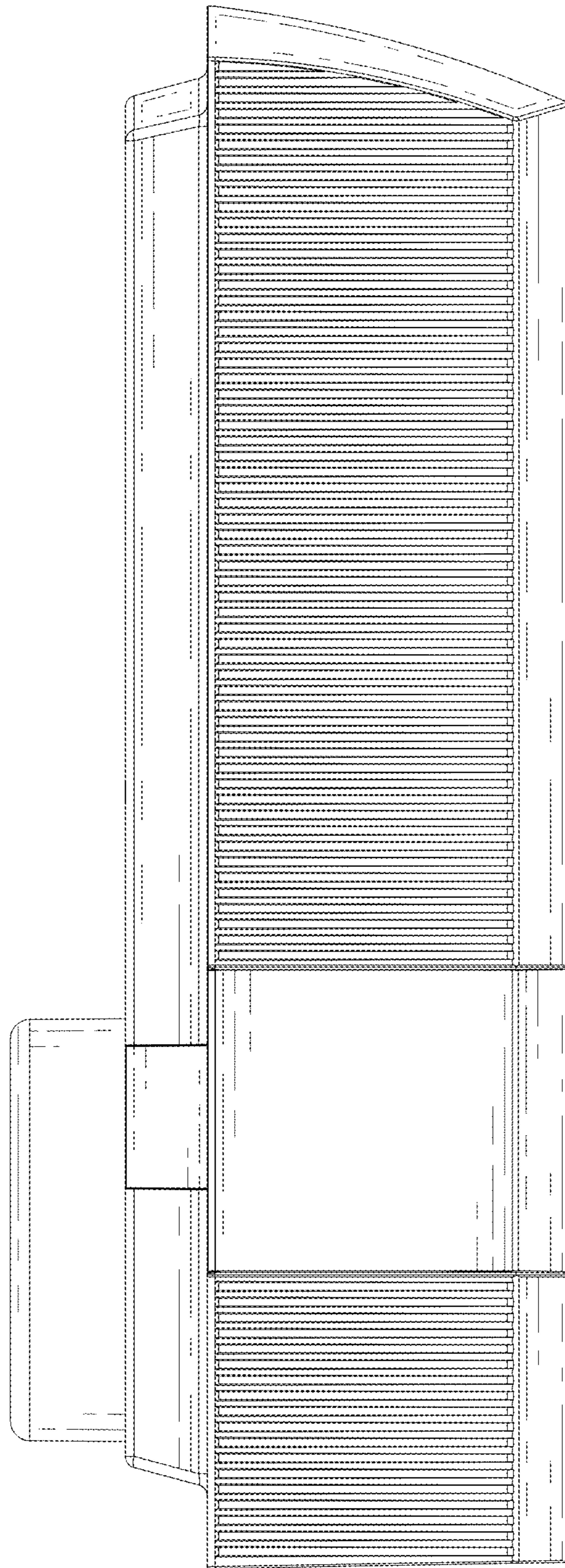


FIG.4

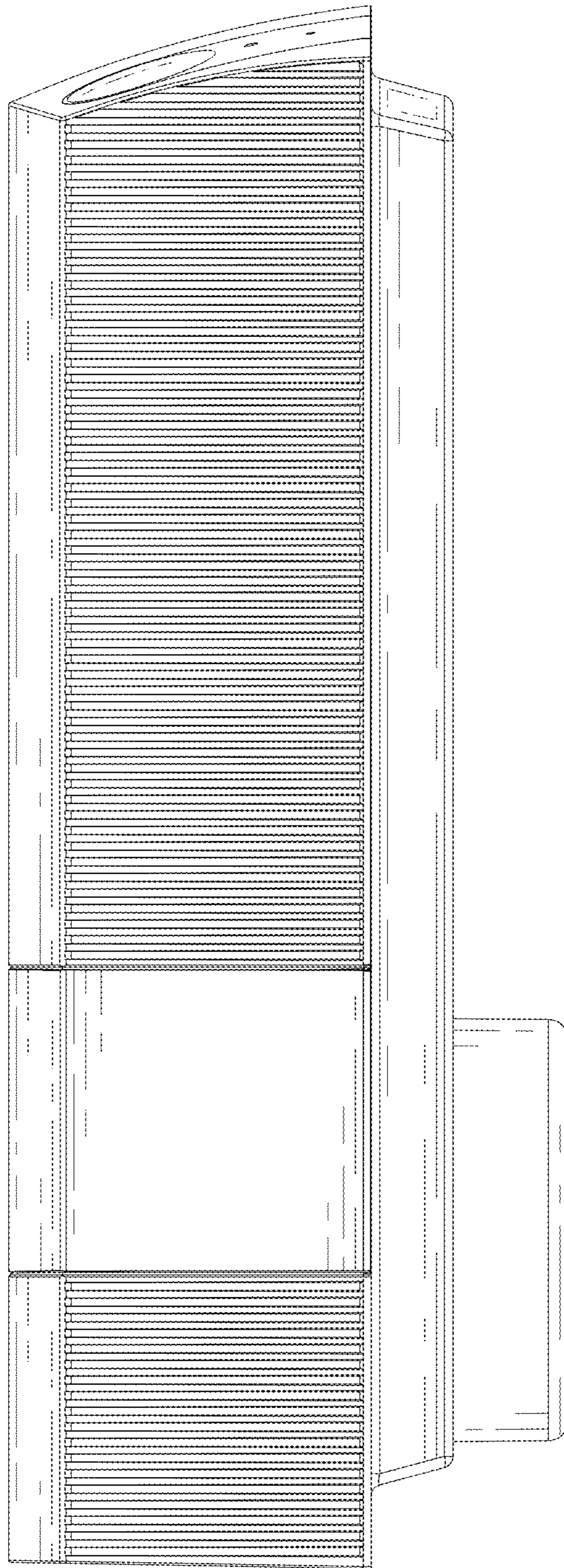


FIG.5

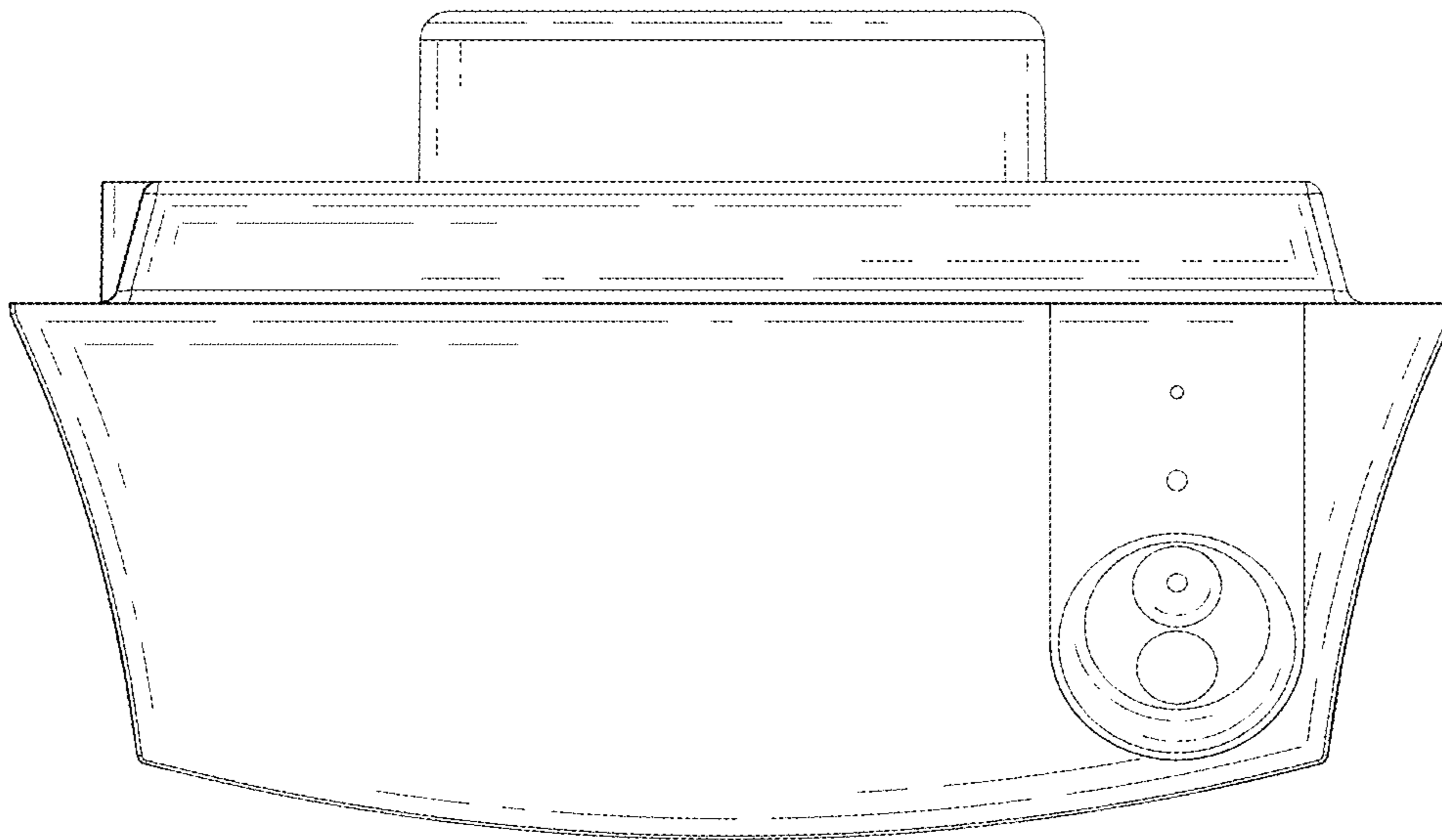


FIG.6

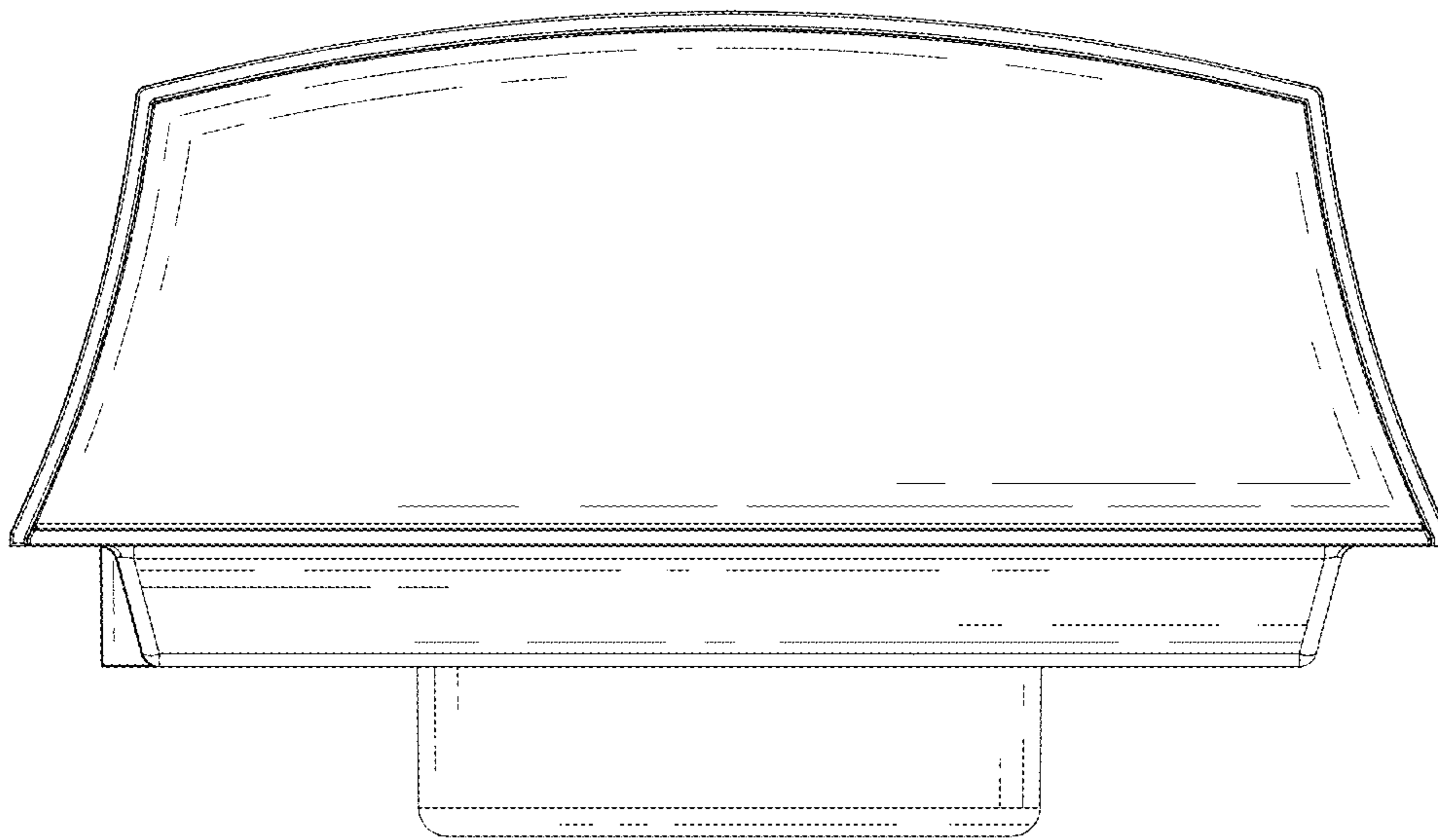


FIG.7

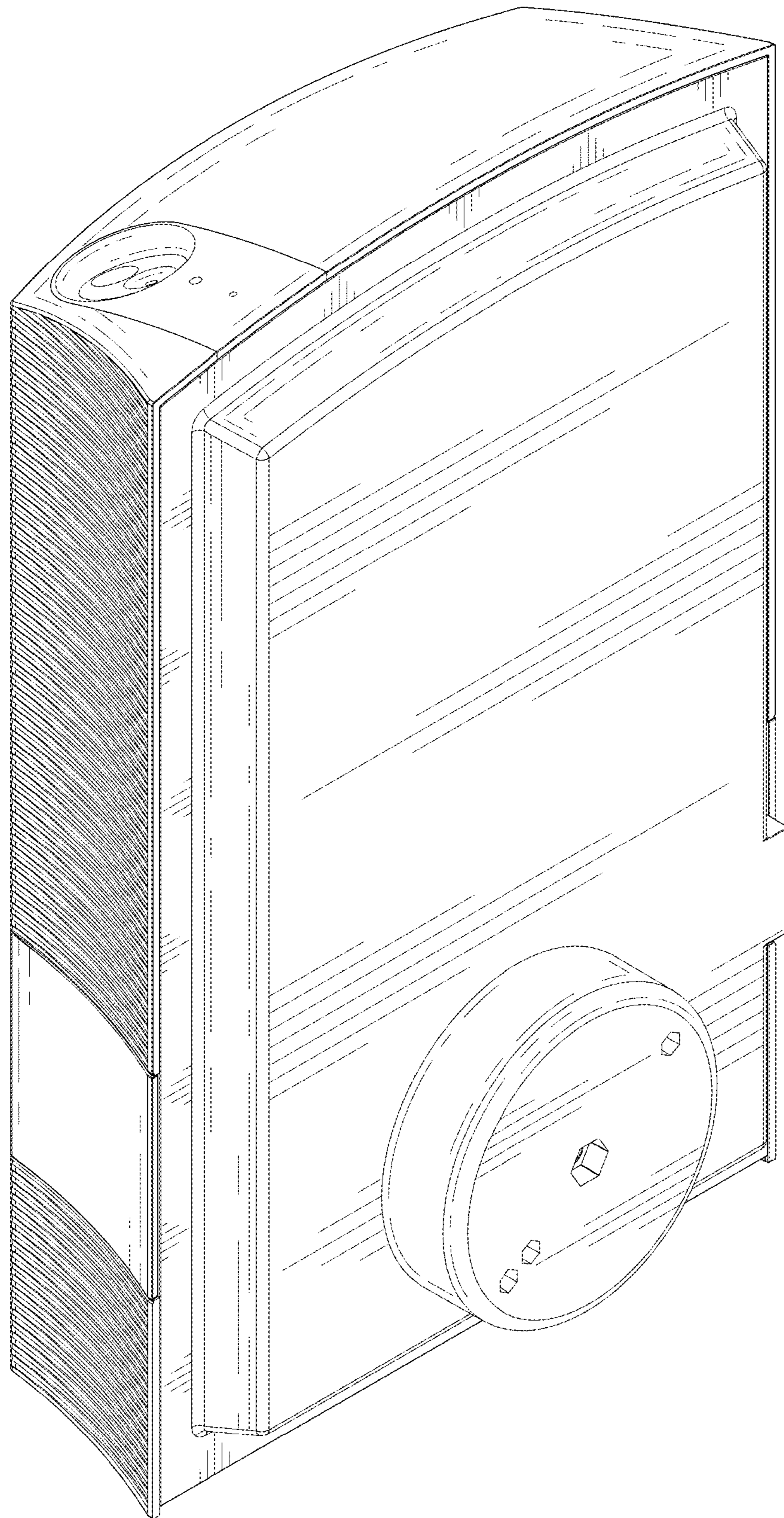


FIG.8