

US00D872784S

(12) **United States Design Patent**  
**Inagaki et al.**

(10) **Patent No.:** **US D872,784 S**  
(45) **Date of Patent:** **\*\* Jan. 14, 2020**

- (54) **CUTTING INSERT FOR A ROTARY CUTTING MACHINE TOOL** 5,145,295 A \* 9/1992 Satran ..... B23C 5/2213  
407/113
- 5,207,538 A \* 5/1993 Satran ..... B23C 5/2213  
407/113
- (71) Applicant: **MITSUBISHI HITACHI TOOL ENGINEERING, LTD., Tokyo (JP)** D342,269 S \* 12/1993 Arai ..... D15/139  
D344,276 S \* 2/1994 Markusson ..... D15/139  
D345,984 S \* 4/1994 Ishikawa ..... D15/139
- (72) Inventors: **Fumihiko Inagaki, Narita (JP); Yasuhiro Kiuchi, Narita (JP); Yoshiyuki Kobayashi, Narita (JP)** D345,985 S \* 4/1994 Ishikawa ..... D15/139  
D355,661 S \* 2/1995 Hessman ..... D15/139  
D357,692 S \* 4/1995 Ishikawa ..... D15/139  
D376,158 S \* 12/1996 Hessman ..... D15/139  
D381,026 S \* 7/1997 Hessman ..... D15/139
- (73) Assignee: **Mitsubishi Hitachi Tool Engineering, ltd, Tokyo (JP)** D409,633 S \* 5/1999 Bernadic ..... D15/139  
D422,608 S \* 4/2000 Malaker ..... D15/139  
D425,086 S \* 5/2000 Bernadic ..... D15/139  
D488,175 S \* 4/2004 Kasperik ..... D15/139
- (\*\*) Term: **15 Years** 7,168,512 B2 \* 1/2007 Schuffenhauer ..... B23C 5/207  
175/426
- (21) Appl. No.: **35/505,615** D585,467 S \* 1/2009 Takanashi ..... D15/139
- (22) Filed: **Mar. 26, 2018** D589,542 S \* 3/2009 Takanashi ..... D15/139

(Continued)

- (80) **Hague Agreement Data**
- Int. Filing Date: **Mar. 26, 2018**
- Int. Reg. No.: **DM/102512**
- Int. Reg. Date: **Mar. 26, 2018**
- Int. Reg. Pub. Date: **Sep. 7, 2018**

*Primary Examiner* — Richard E Chilcot  
(74) *Attorney, Agent, or Firm* — Banner & Witcoff, Ltd.

(57) **CLAIM**

The ornamental design for a cutting insert for a rotary cutting machine tool, as shown and described.

(30) **Foreign Application Priority Data**

Nov. 16, 2017 (JP) ..... 2017-025585

- (51) **LOC (12) Cl.** ..... **15-09**
- (52) **U.S. Cl.**
- USPC ..... **D15/139**
- CPC ..... **B23C 5/207 (2013.01)**

- (58) **Field of Classification Search**
- USPC ..... D15/122–143; 407/42, 113–117
- CPC ..... B23B 51/048; B23C 5/207; B23C 5/109
- See application file for complete search history.

(56) **References Cited**

**U.S. PATENT DOCUMENTS**

- D304,949 S \* 12/1989 Niebauer ..... D15/139
- D305,239 S \* 12/1989 Niebauer ..... D15/139

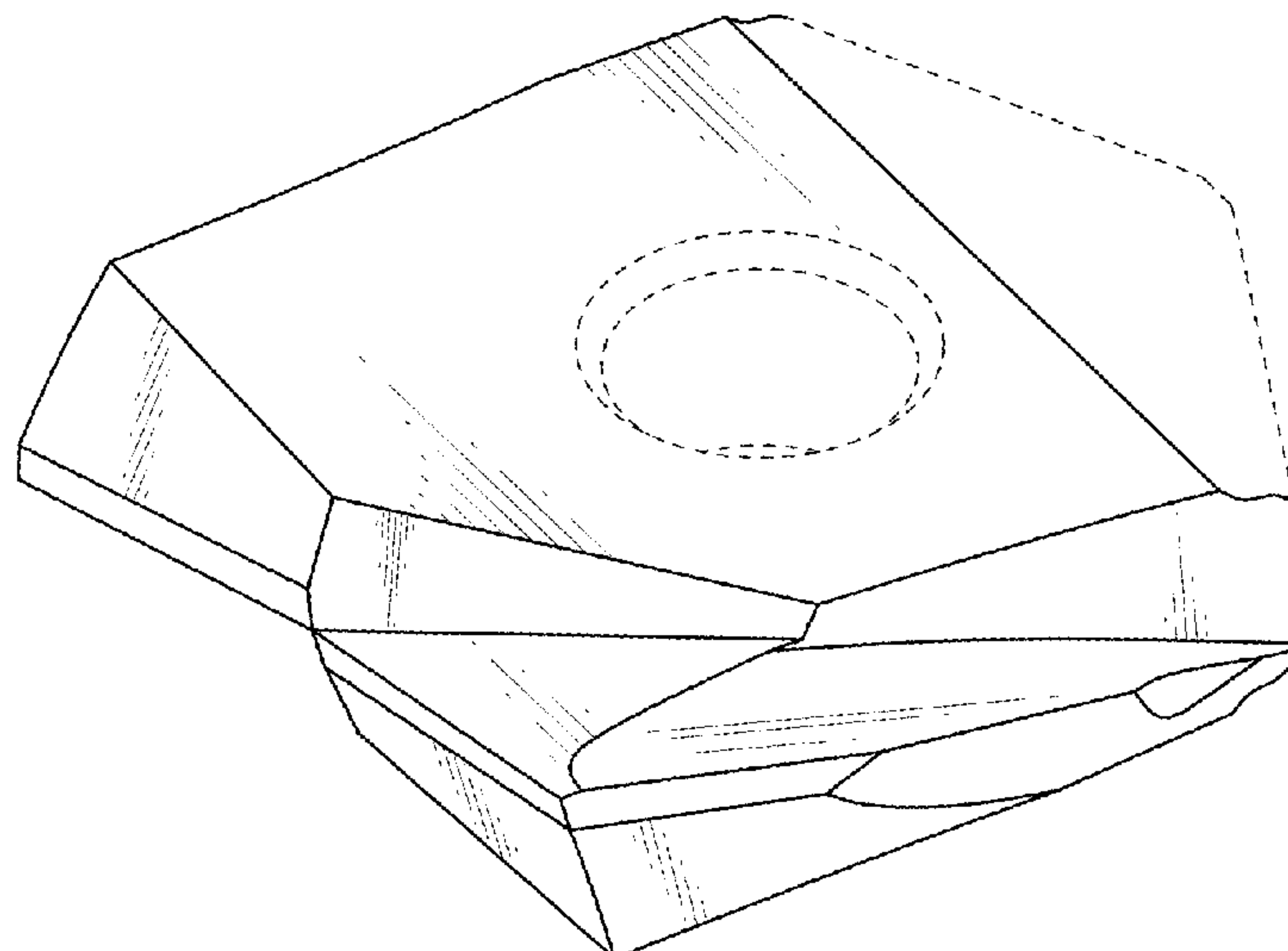
**DESCRIPTION**

1. Cutting insert for a rotary cutting machine tool

- 1.1 : Right-bottom perspective view
- 1.2 : Left-bottom perspective view
- 1.3 : Left-top perspective view
- 1.4 : Right-top perspective view
- 1.5 : Front
- 1.6 : Top
- 1.7 : Bottom
- 1.8 : Right

The rear view is identical to the front view; the left view is identical to the right view. The broken lines depicting the remainder of the cutting insert show features that form no part of the claimed design.

**1 Claim, 8 Drawing Sheets**



(56)

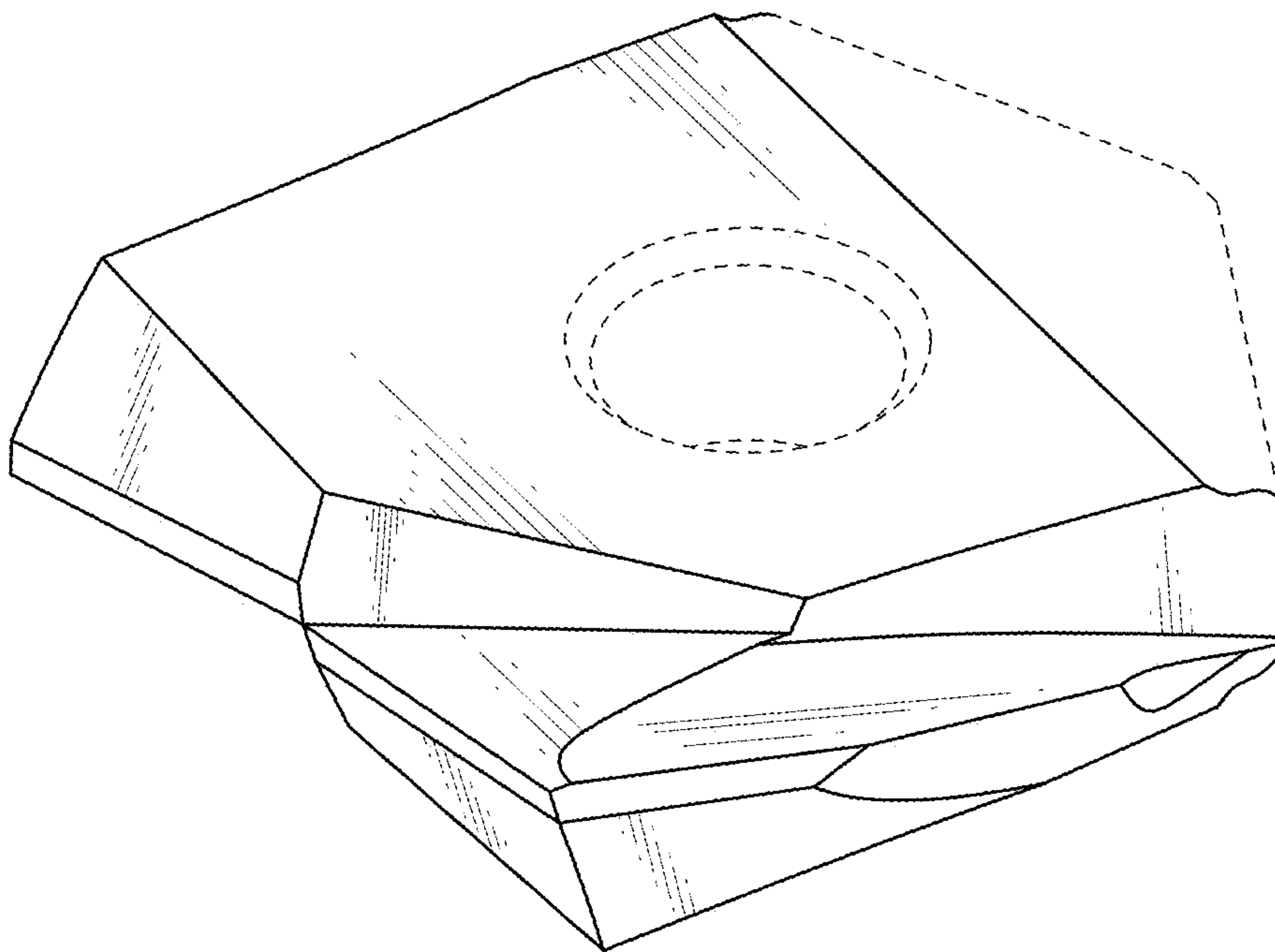
**References Cited**

U.S. PATENT DOCUMENTS

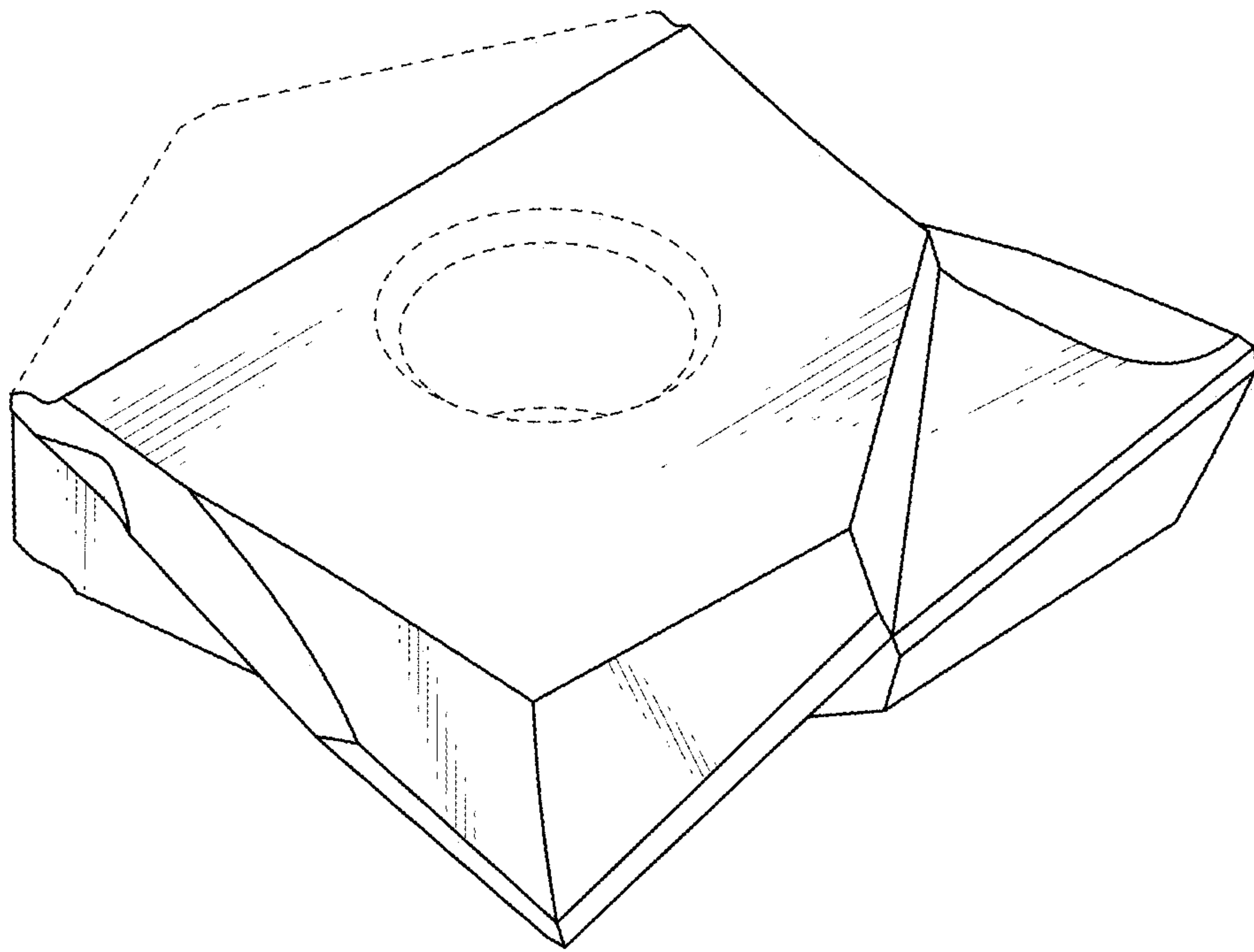
D694,282	S *	11/2013	Frazier .....	E21B 33/134 D15/21
D795,318	S *	8/2017	Yoshida .....	D15/139
D804,552	S *	12/2017	Lee .....	D15/139
D805,565	S *	12/2017	Min .....	D15/139
D805,566	S *	12/2017	Oh .....	D15/139
D806,150	S *	12/2017	Komiyama .....	D15/139
D816,744	S *	5/2018	Lee .....	D15/139
D818,016	S *	5/2018	Yoshida .....	D15/139
D822,078	S *	7/2018	Oh .....	D15/139
D822,079	S *	7/2018	Lee .....	D15/139
D822,080	S *	7/2018	Oh .....	D15/139
D822,731	S *	7/2018	Yoshida .....	D15/139
D826,664	S *	8/2018	Matsubara .....	D8/20
D837,847	S *	1/2019	Min .....	D15/139
D845,361	S *	4/2019	Komiyama .....	D15/139
2015/0202697	A1 *	7/2015	Shiota .....	B23C 5/109 407/42
2015/0246398	A1 *	9/2015	Kawasaki .....	B23B 51/048 408/231

\* cited by examiner

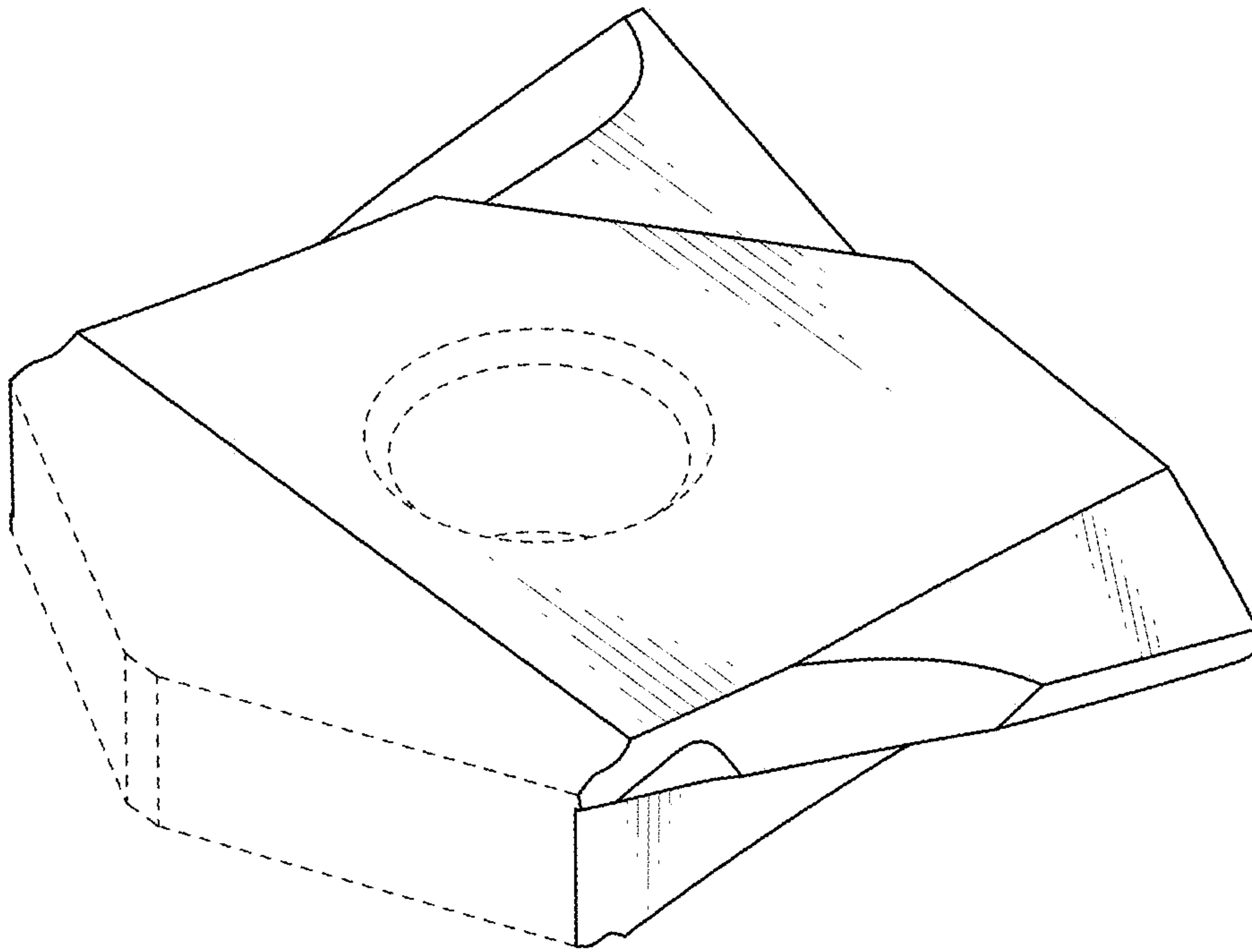
1.1



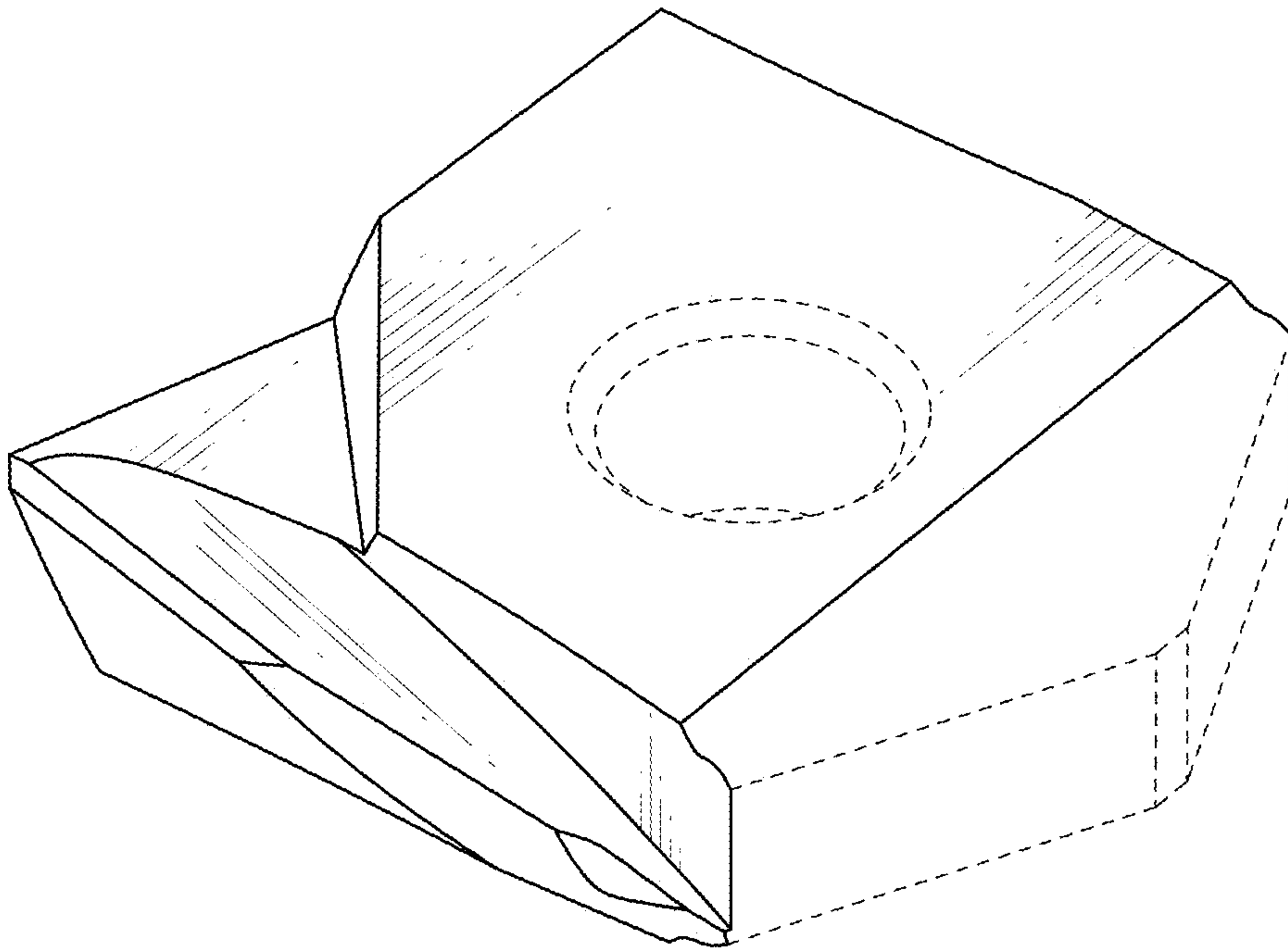
1.2



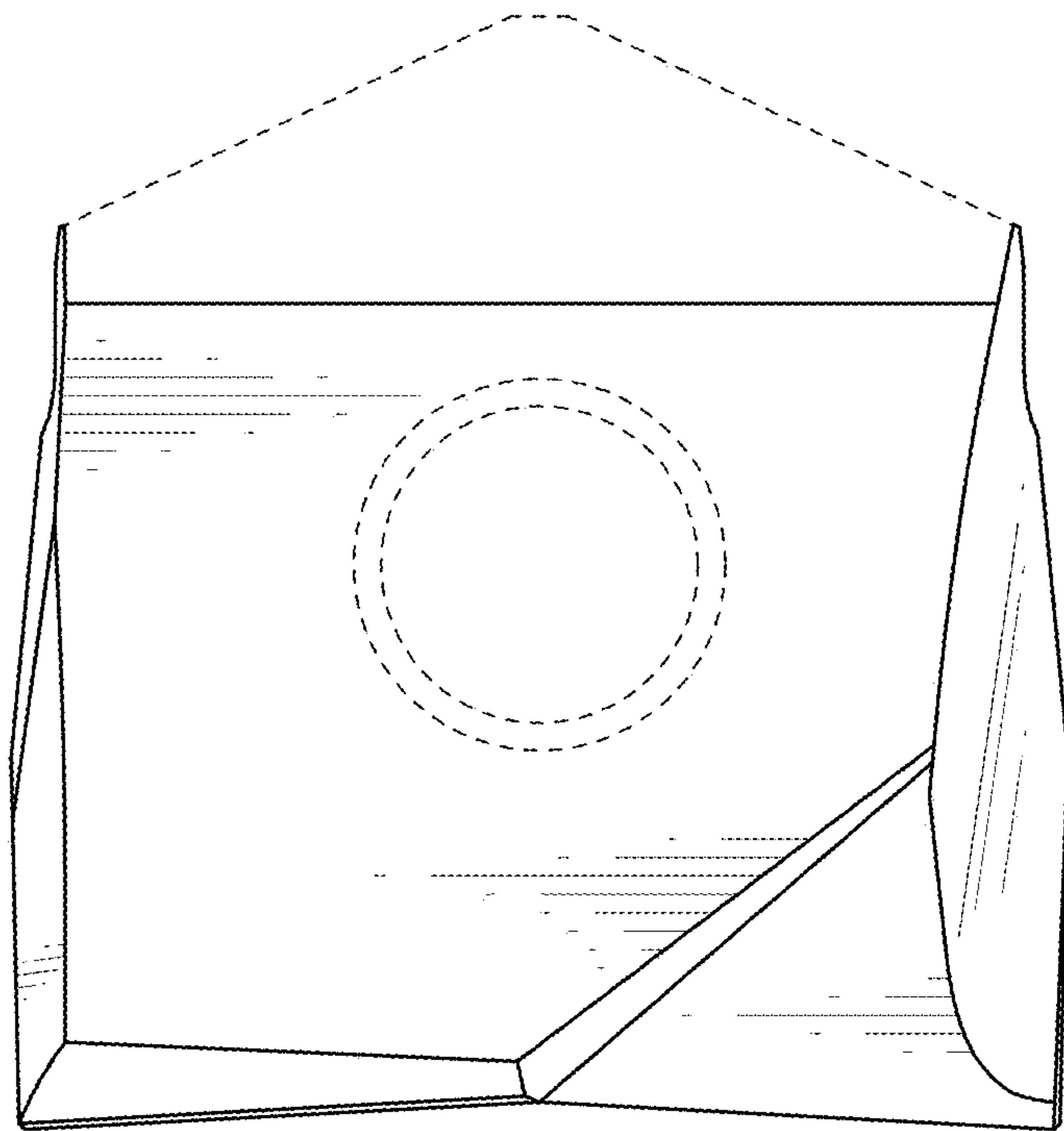
1.3



1.4

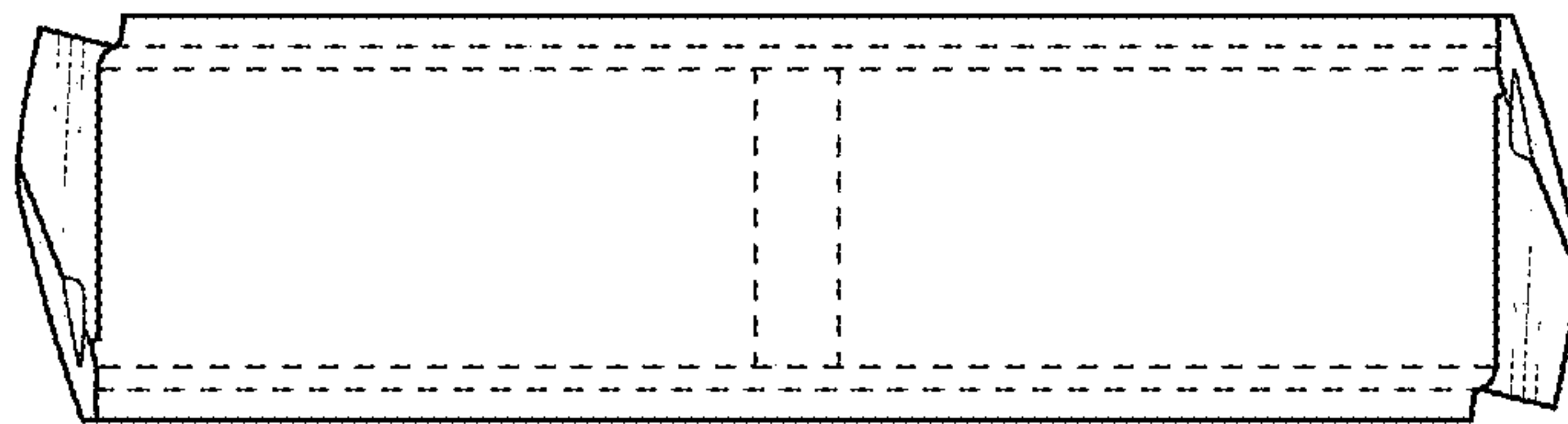


1.5



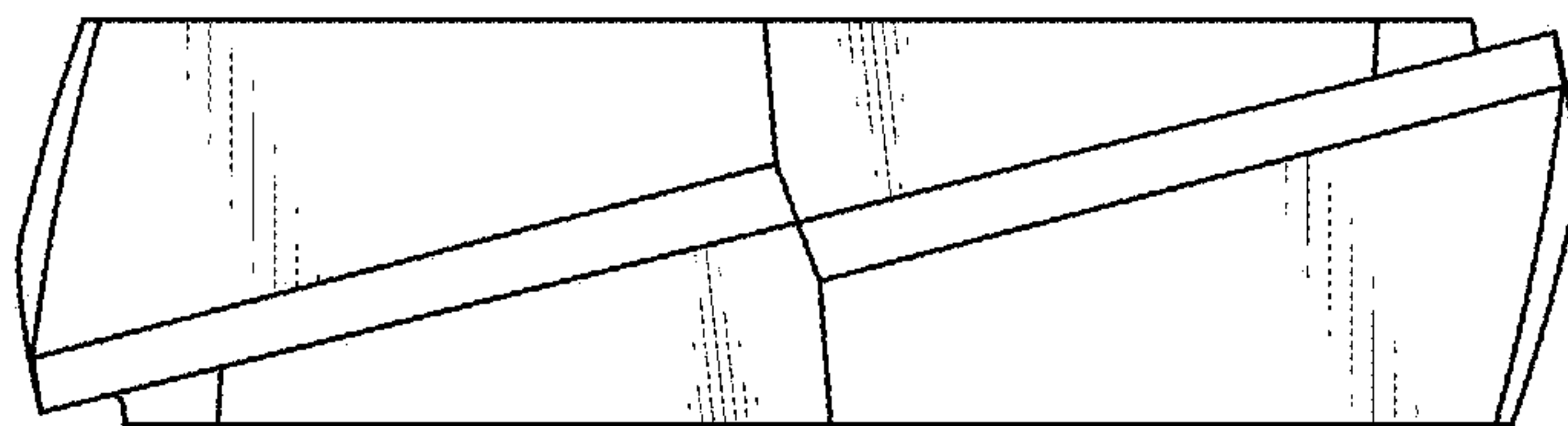


1.6





1.7



1.8

