



US00D872783S

(12) **United States Design Patent**
Parendo et al.

(10) **Patent No.:** **US D872,783 S**

(45) **Date of Patent:** **** Jan. 14, 2020**

- (54) **STEP DRILL BIT**
- (71) Applicant: **MILWAUKEE ELECTRIC TOOL CORPORATION**, Brookfield, WI (US)
- (72) Inventors: **Brett A. Parendo**, Milwaukee, WI (US); **Richard Hohnl, Jr.**, Racine, WI (US); **David Hlavac**, Germantown, WI (US); **Alexander R. Greenhill**, Wauwatosa, WI (US); **Ingolfur Ludviksson**, Wauwatosa, WI (US)
- (73) Assignee: **MILWAUKEE ELECTRIC TOOL CORPORATION**, Brookfield, WI (US)
- (**) Term: **15 Years**
- (21) Appl. No.: **29/645,681**
- (22) Filed: **Apr. 27, 2018**
- (51) **LOC (12) Cl.** **15-09**
- (52) **U.S. Cl.**
USPC **D15/139**
- (58) **Field of Classification Search**
USPC 8/20, 70, 86; 15/132, 138, 139, 140
CPC B27G 15/00; Y10T 408/902; Y10T 408/9097; Y10T 408/90467
See application file for complete search history.

3,645,640 A *	2/1972	Zukas	B23B 5/16
				408/192
3,758,222 A *	9/1973	Oakes	B23B 51/009
				408/224
4,127,355 A *	11/1978	Oakes	B23B 51/009
				408/220
4,189,266 A *	2/1980	Koslow	B23B 51/0009
				408/224
4,536,107 A *	8/1985	Sandy	B27G 15/00
				408/214
4,582,458 A *	4/1986	Korb	B23B 51/009
				408/224
D345,495 S *	3/1994	Priddy	D8/70
5,427,477 A *	6/1995	Weiss	B23B 5/168
				408/1 R
5,466,100 A *	11/1995	Ahluwalia	B23B 31/005
				408/224
D390,239 S *	2/1998	Malin	D15/139
5,820,319 A *	10/1998	Hull	B27G 15/00
				408/214
D408,424 S *	4/1999	Schmotzer	D15/139
5,915,893 A *	6/1999	Miyanaga	B23B 51/009
				408/202

(Continued)

Primary Examiner — Patricia A Palasik
(74) *Attorney, Agent, or Firm* — Michael Best & Friedrich LLP

(57) **CLAIM**
We claim the ornamental design for a step drill bit, as shown and described.

DESCRIPTION

FIG. 1 is a first side view of a step drill bit embodying the invention.
FIG. 2 is a second side view of the step drill bit of FIG. 1.
FIG. 3 is a third side view of the step drill bit of FIG. 1; and,
FIG. 4 is a fourth side view of the step drill bit of FIG. 1.
The broken lines in the drawings depict portions of the step drill bit which form no part of the claimed design.

1 Claim, 2 Drawing Sheets

- (56) **References Cited**
U.S. PATENT DOCUMENTS
716,557 A * 12/1902 Klingensmith B27G 15/00
408/214
2,607,562 A * 8/1952 Phipps E21B 10/26
175/391
2,897,696 A * 8/1959 Tisserant B23B 51/009
408/225
3,564,945 A * 2/1971 Bradley B23B 51/009
408/224



(56)

References Cited

U.S. PATENT DOCUMENTS

D419,575 S *	1/2000	Kouvelis	D15/139	D737,875 S *	9/2015	Santamarina	D15/139
6,361,255 B1 *	3/2002	Schmotzer	B27G 15/00	D741,924 S *	10/2015	Lee	D15/139
			408/1 R	9,676,041 B2 *	6/2017	Allen	B23B 51/009
D504,446 S *	4/2005	Kobayashi	D15/139	9,731,358 B2 *	8/2017	Allen	B23B 51/009
D525,272 S *	7/2006	Duscha	D15/139	10,245,656 B2 *	4/2019	Piper	B23B 51/009
D526,670 S *	8/2006	Ibey	D15/139	10,252,351 B2 *	4/2019	Allen	B23B 51/009
D531,650 S *	11/2006	Switzer	D15/139	10,328,500 B2 *	6/2019	Morton	B23B 51/009
7,171,871 B2 *	2/2007	Kozak	B23B 51/00	10,421,130 B2 *	9/2019	Van Essen	B23P 15/28
			81/441	2001/0010784 A1 *	8/2001	Giebmanns	B23B 51/02
D559,874 S *	1/2008	Kobayashi	D15/139				408/214
D580,462 S *	11/2008	Liao	D15/139	2004/0076483 A1 *	4/2004	Singh	B23B 51/009
D585,919 S *	2/2009	Cantlon	D15/139				408/1 R
D585,920 S *	2/2009	Liao	D15/139	2006/0093448 A1 *	5/2006	Kelsey	B23B 51/009
D626,575 S *	11/2010	Washington, III	D15/139				408/224
D664,167 S *	7/2012	Lampe	D15/139	2007/0264094 A1 *	11/2007	Seeley	B23B 51/009
D678,369 S *	3/2013	Santamarina	D15/139				408/224
D682,897 S *	5/2013	Evatt	D15/139	2008/0029311 A1 *	2/2008	Seeley	B23B 51/009
D682,899 S *	5/2013	Evatt	D15/139				175/413
D687,871 S *	8/2013	Liao	D15/139	2008/0166195 A1 *	7/2008	Gentry	B23B 51/009
D709,111 S *	7/2014	Liao	D15/139				408/224
8,764,355 B2 *	7/2014	Durfee	B23B 51/009	2011/0038679 A1 *	2/2011	Kozak	B23B 35/00
			408/144				408/1 BD
D724,125 S *	3/2015	Pierce	D15/139	2012/0195704 A1 *	8/2012	White	B23B 51/0081
D734,792 S *	7/2015	Santamarina	D15/139				408/224
				2017/0129022 A1	5/2017	Durfee	

* cited by examiner

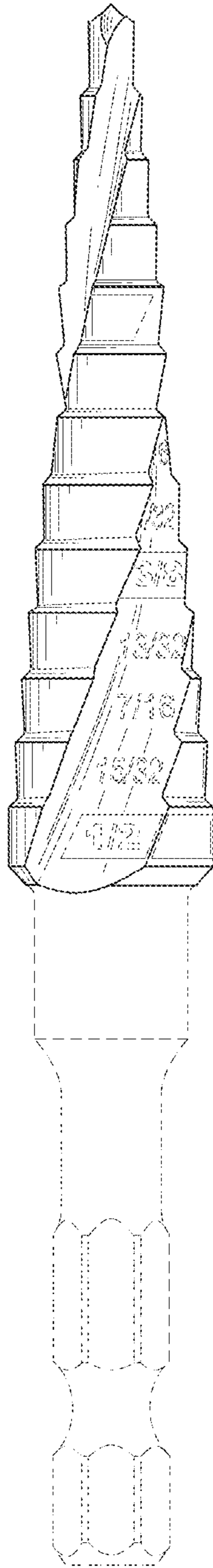


FIG. 1

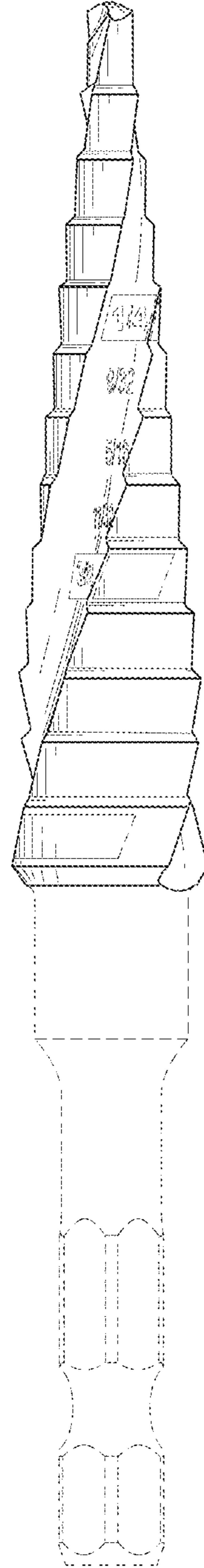


FIG. 2

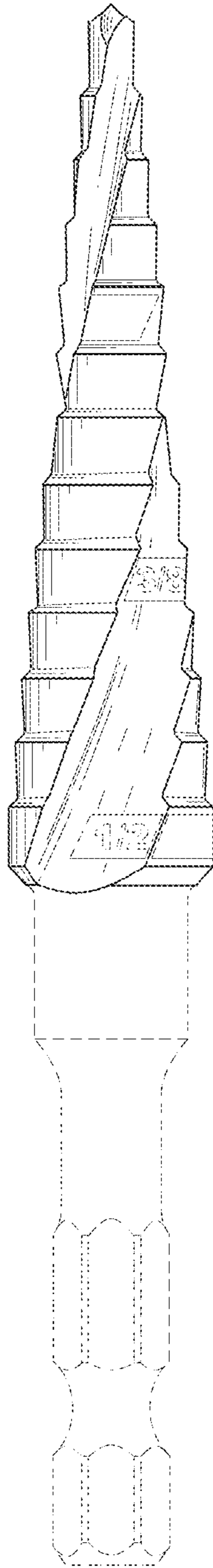


FIG. 3

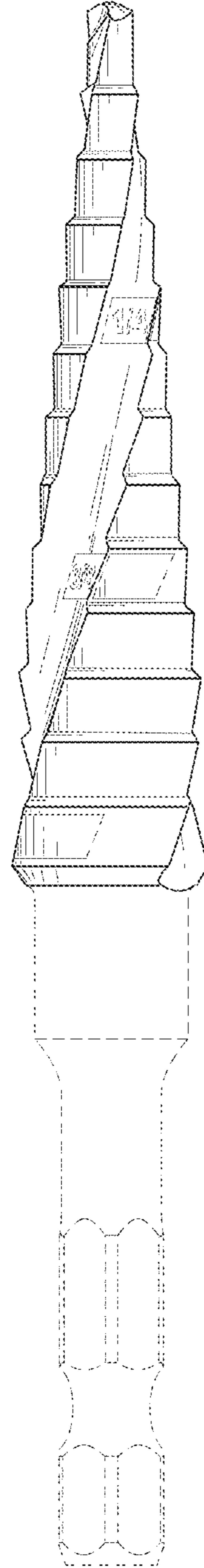


FIG. 4