



US00D872782S

(12) **United States Design Patent**  
**Howell**

(10) **Patent No.:** **US D872,782 S**  
(45) **Date of Patent:** **\*\* Jan. 14, 2020**

(54) **BIT SET WITH HOLDER**  
(71) Applicant: **Harbor Freight Tools USA, INC.**,  
Calabasas, CA (US)  
(72) Inventor: **Jon Howell**, Agoura Hills, CA (US)  
(73) Assignee: **Harbor Freight Tools USA, INC.**,  
Calabasas, CA (US)

(\*\*) Term: **15 Years**  
(21) Appl. No.: **29/641,453**  
(22) Filed: **Mar. 22, 2018**  
(51) **LOC (12) Cl.** ..... **15-09**  
(52) **U.S. Cl.**  
USPC ..... **D15/139**  
(58) **Field of Classification Search**  
USPC ..... D8/20, 70, 98-99; D15/127, 133, 139,  
D15/140  
CPC ..... B23B 51/02; B23B 2251/18; B23B  
2251/241; B23B 2251/404; Y10T 408/04;  
Y10T 408/78; Y10T 408/89; Y10T  
408/909; Y10T 408/9095; Y10T 408/9097  
See application file for complete search history.

(56) **References Cited**

U.S. PATENT DOCUMENTS

20,192 A *	5/1858	Clark	.....	B27G 15/00 408/194
124,089 A *	2/1872	Shepardson	.....	B23B 51/02 408/212
2,627,292 A *	2/1953	Kronwall	.....	B27G 15/00 408/213
2,782,824 A *	2/1957	Robinson	.....	B27G 15/00 408/223
3,997,279 A *	12/1976	Porter	.....	B27G 15/00 408/211
5,221,166 A	6/1993	Bothum		

(Continued)

*Primary Examiner* — Patricia A Palasik  
(74) *Attorney, Agent, or Firm* — McAndrews Held & Malloy, Ltd.

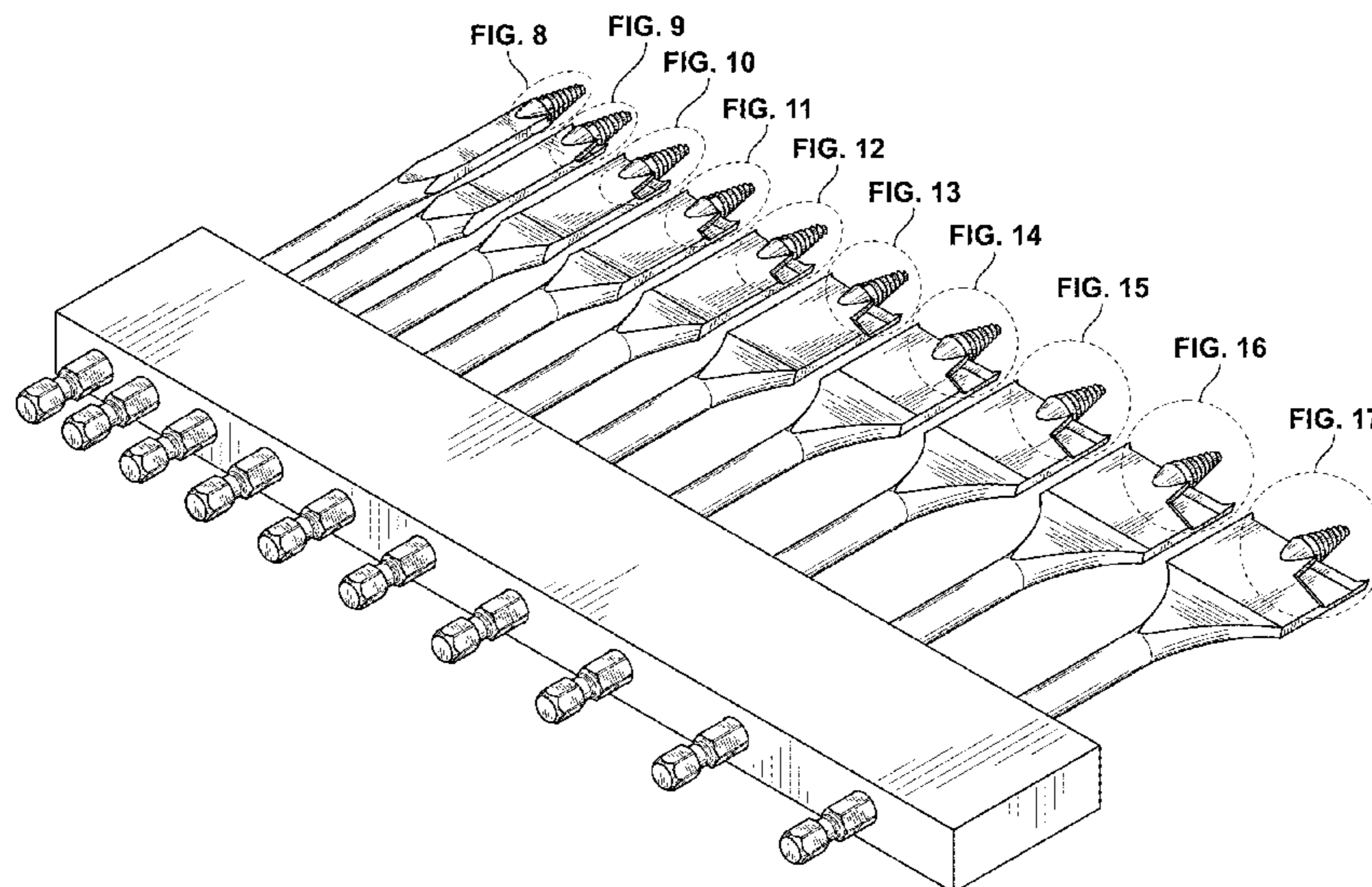
(57) **CLAIM**

The ornamental design for a bit set with holder, as shown and described.

**DESCRIPTION**

FIG. 1 is a front perspective view of a bit set with holder showing my new design  
FIG. 2 is a bottom plan view thereof;  
FIG. 3 is a top plan view thereof;  
FIG. 4 is a right side elevation view thereof;  
FIG. 5 is a left side elevation thereof;  
FIG. 6 is a front elevation view thereof;  
FIG. 7 is a rear elevation view thereof;  
FIG. 8 is an enlarged view of portion 8 encircled in FIG. 1;  
FIG. 9 is an enlarged view of portion 9 encircled in FIG. 1;  
FIG. 10 is an enlarged view of portion 10 encircled in FIG. 1;  
FIG. 11 is an enlarged view of portion 11 encircled in FIG. 1;  
FIG. 12 is an enlarged view of portion 12 encircled in FIG. 1;  
FIG. 13 is an enlarged view of portion 13 encircled in FIG. 1;  
FIG. 14 is an enlarged view of portion 14 encircled in FIG. 1;  
FIG. 15 is an enlarged view of portion 15 encircled in FIG. 1;  
FIG. 16 is an enlarged view of portion 16 encircled in FIG. 1; and,  
FIG. 17 is an enlarged view of portion 17 encircled in FIG. 1.  
The dashed broken lines in the drawings encircle portions of the claimed design that are illustrated in enlargements and form no part of the claimed design.

**1 Claim, 6 Drawing Sheets**



(56)

References Cited

U.S. PATENT DOCUMENTS

5,286,143	A	2/1994	Schimke					
5,291,806	A	3/1994	Bothum					
5,433,561	A	7/1995	Schimke					
D372,485	S	8/1996	Stone et al.					
D376,809	S	12/1996	Stone et al.					
5,649,796	A	7/1997	Durney					
5,697,738	A	12/1997	Stone et al.					
5,700,113	A	12/1997	Stone et al.					
D394,663	S	5/1998	Stone et al.					
D408,424	S *	4/1999	Schmotzer	.....	D15/139			
6,227,774	B1	5/2001	Haughton et al.					
6,290,439	B1	9/2001	Bludis et al.					
6,354,773	B1	3/2002	Konen					
D504,446	S *	4/2005	Kobayashi	.....	D15/139			
D507,585	S *	7/2005	Held	.....	D15/139			
6,957,937	B2	10/2005	Vasudeva					
7,140,814	B2	11/2006	Singh					
D544,892	S *	6/2007	Watson	.....	D15/139			
7,246,976	B2	7/2007	Nordlin					
7,267,513	B2	9/2007	Wiker et al.					
D580,462	S *	11/2008	Liao	.....	D15/139			
7,473,056	B2	1/2009	Durfee					
7,544,026	B2	6/2009	Durfee					
D604,751	S	11/2009	Dost et al.					
D608,801	S *	1/2010	Evatt	.....	D15/139			
D608,802	S *	1/2010	Ibarra	.....	D15/139			
D627,805	S	11/2010	Dost et al.					
7,887,269	B2	2/2011	Dost et al.					
7,905,690	B2	3/2011	Durfee					
7,922,429	B2	4/2011	Durfee					
8,147,174	B2	4/2012	Durfee					
8,262,325	B2	9/2012	Dost et al.					
8,366,357	B2	2/2013	Dost et al.					
8,545,140	B2	10/2013	Burn					
8,979,444	B2	3/2015	Dost					
2003/0035694	A1 *	2/2003	Liao	.....	B27G 15/00 408/214			
2013/0149060	A1	6/2013	Dost et al.					
2015/0063935	A1	3/2015	Lau et al.					

\* cited by examiner

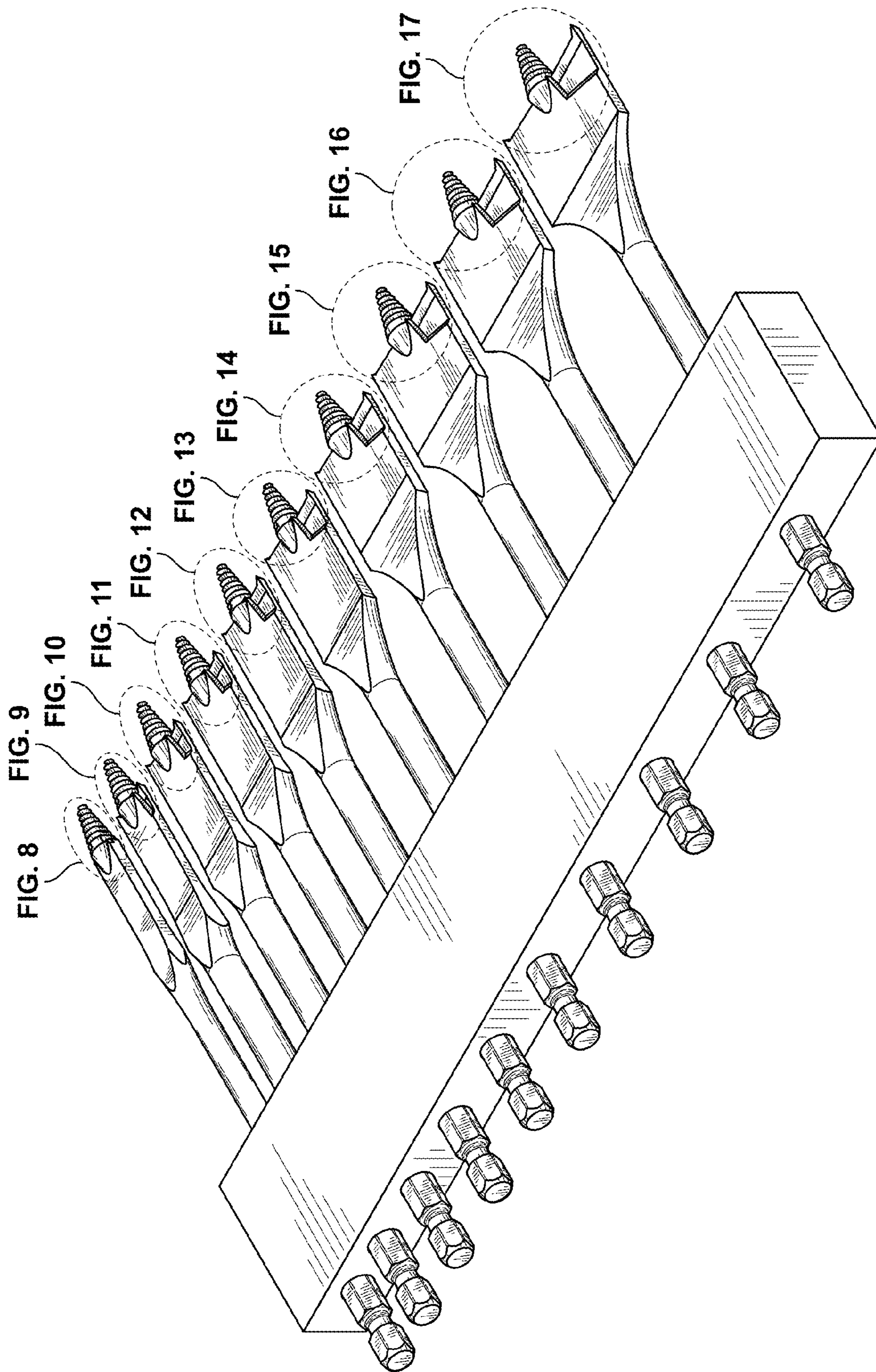


FIG. 1

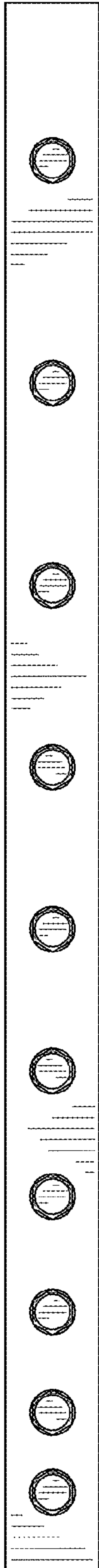


FIG. 2

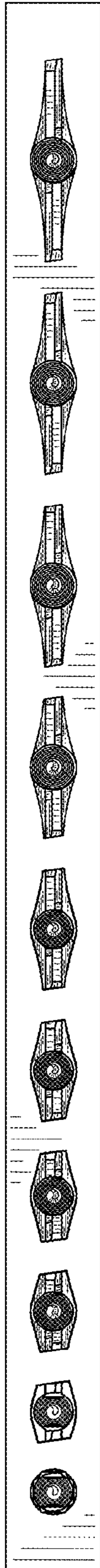


FIG. 3

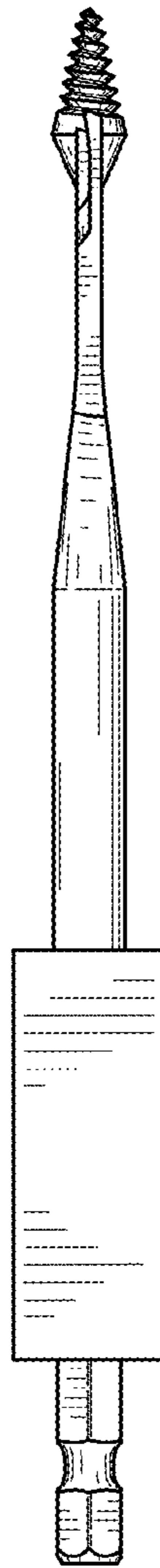


FIG. 4

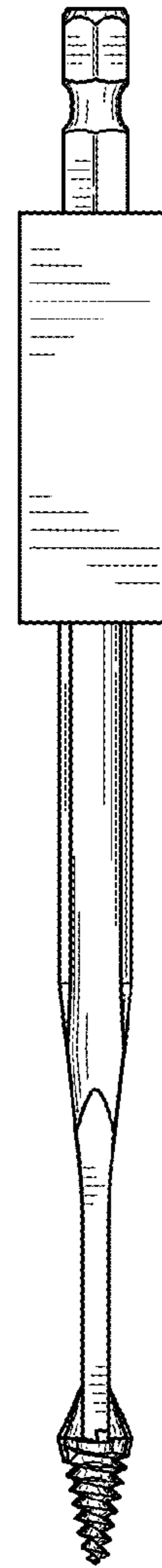


FIG. 5

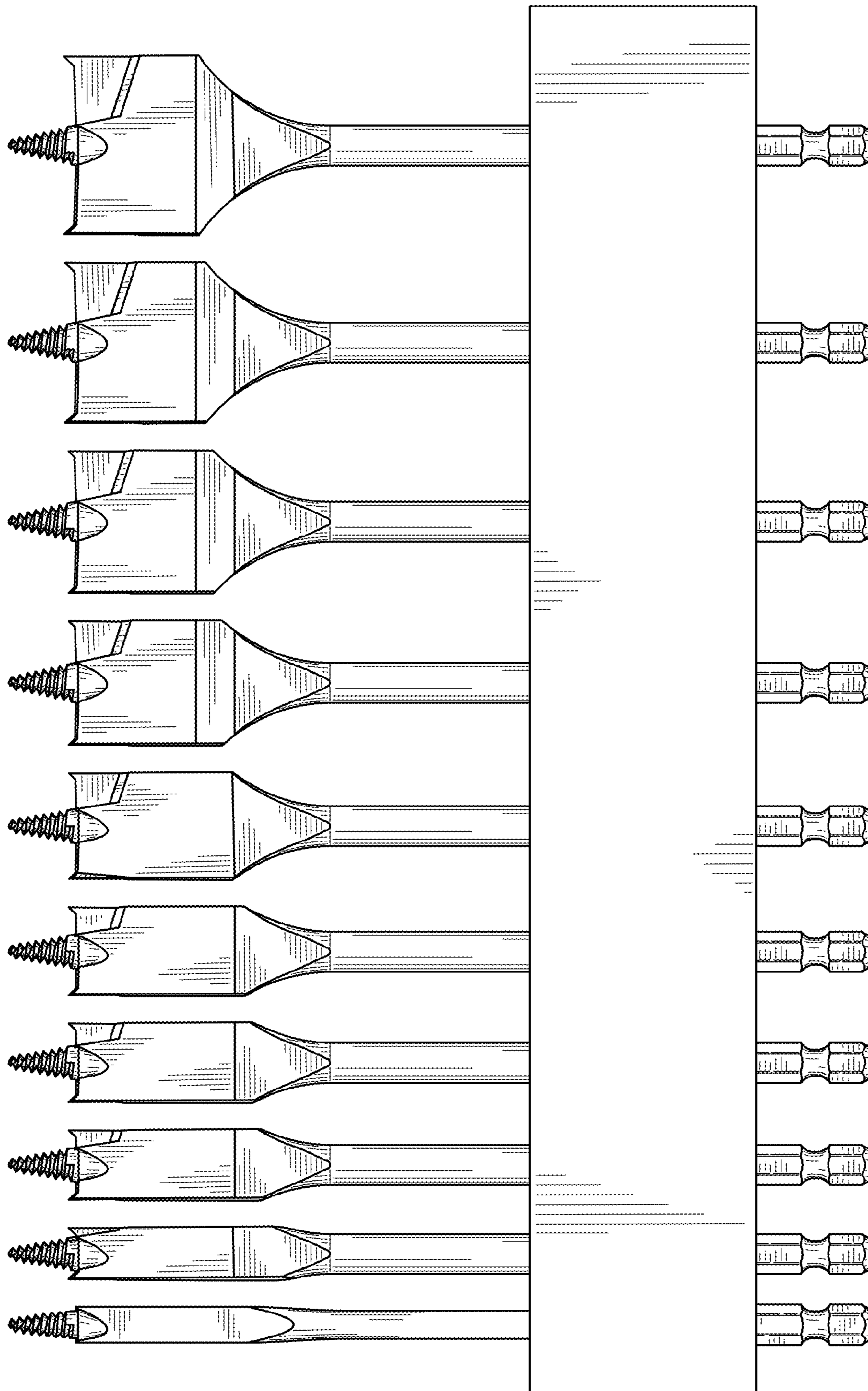


FIG. 6

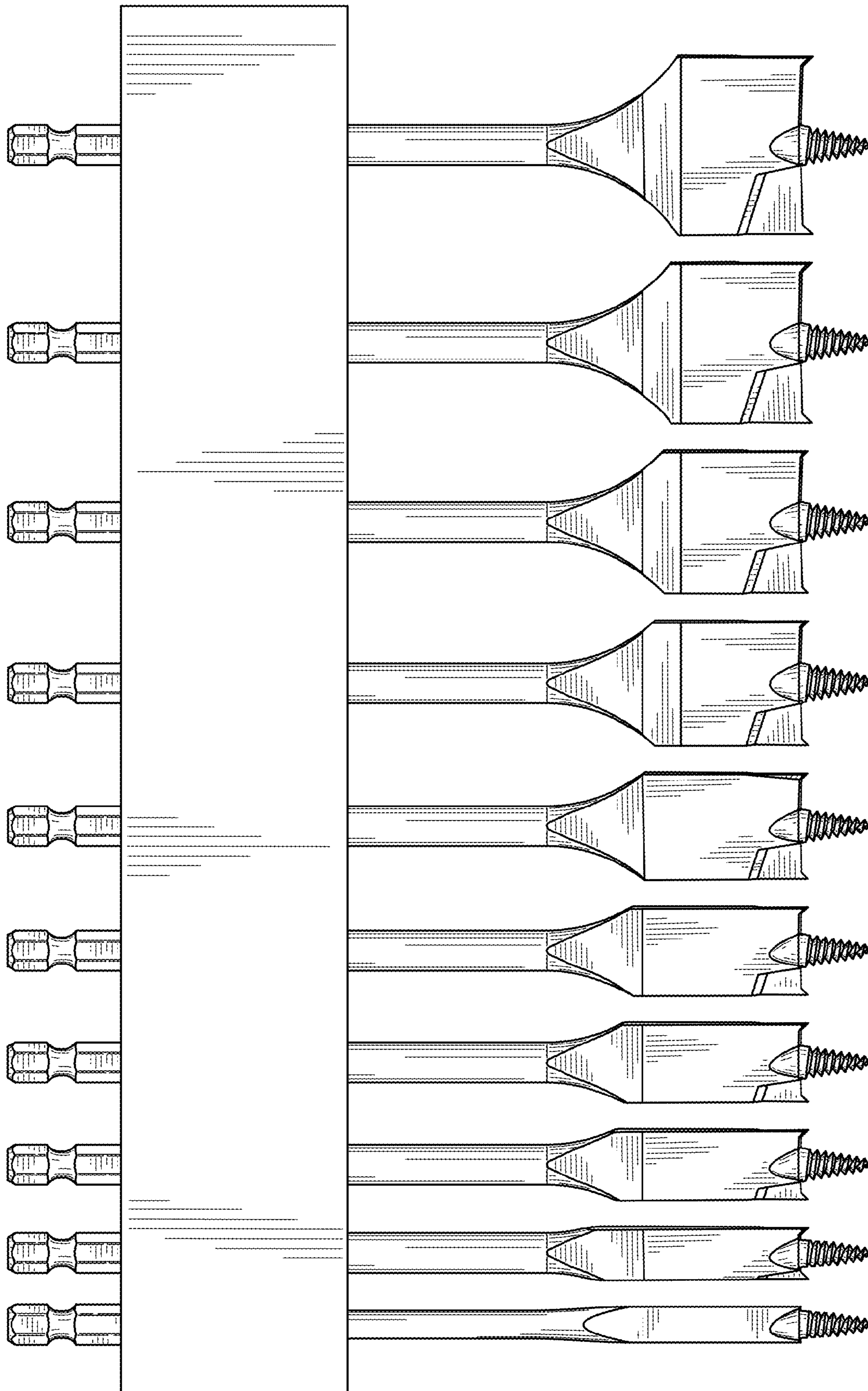


FIG. 7

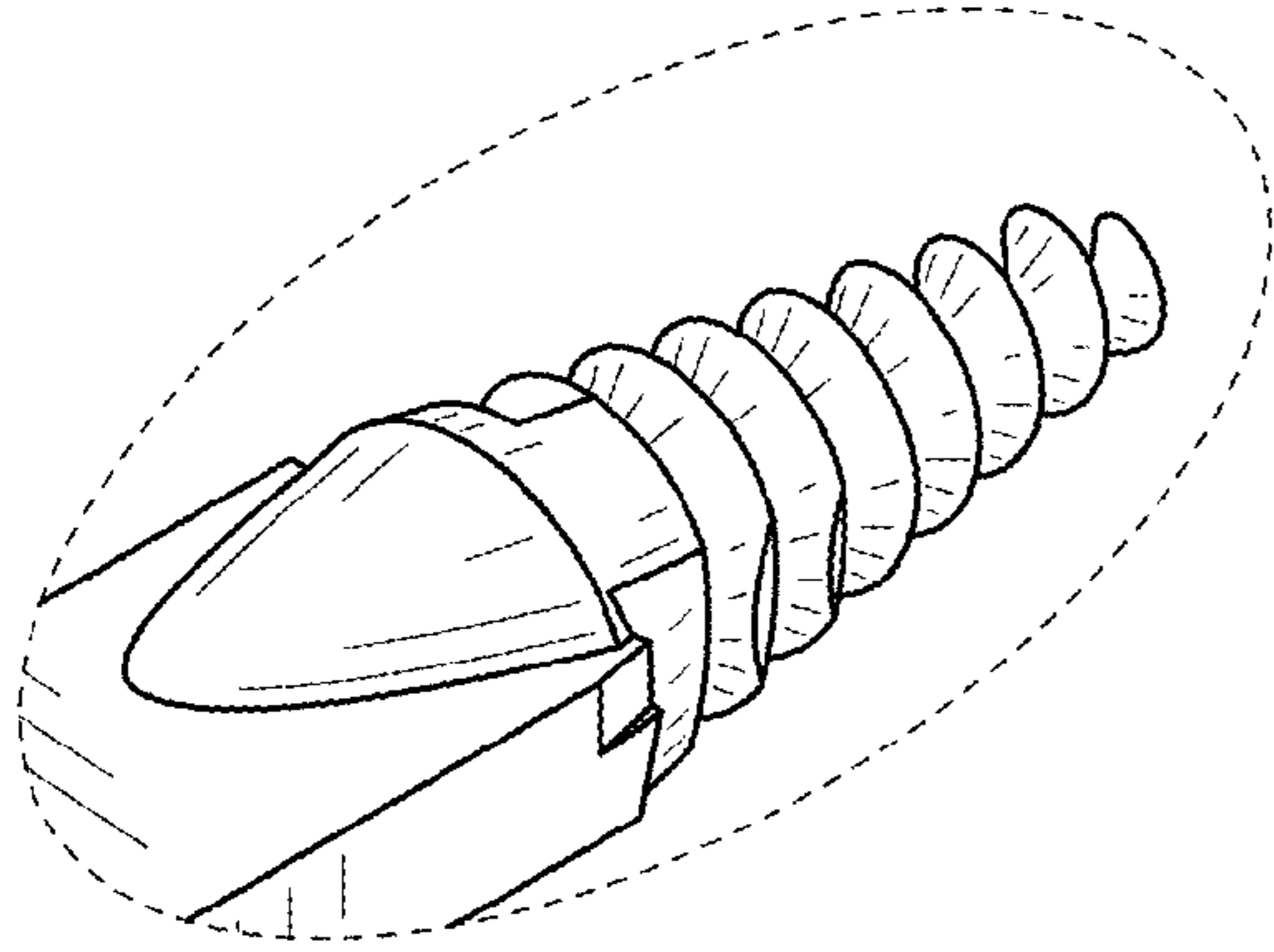


FIG. 8

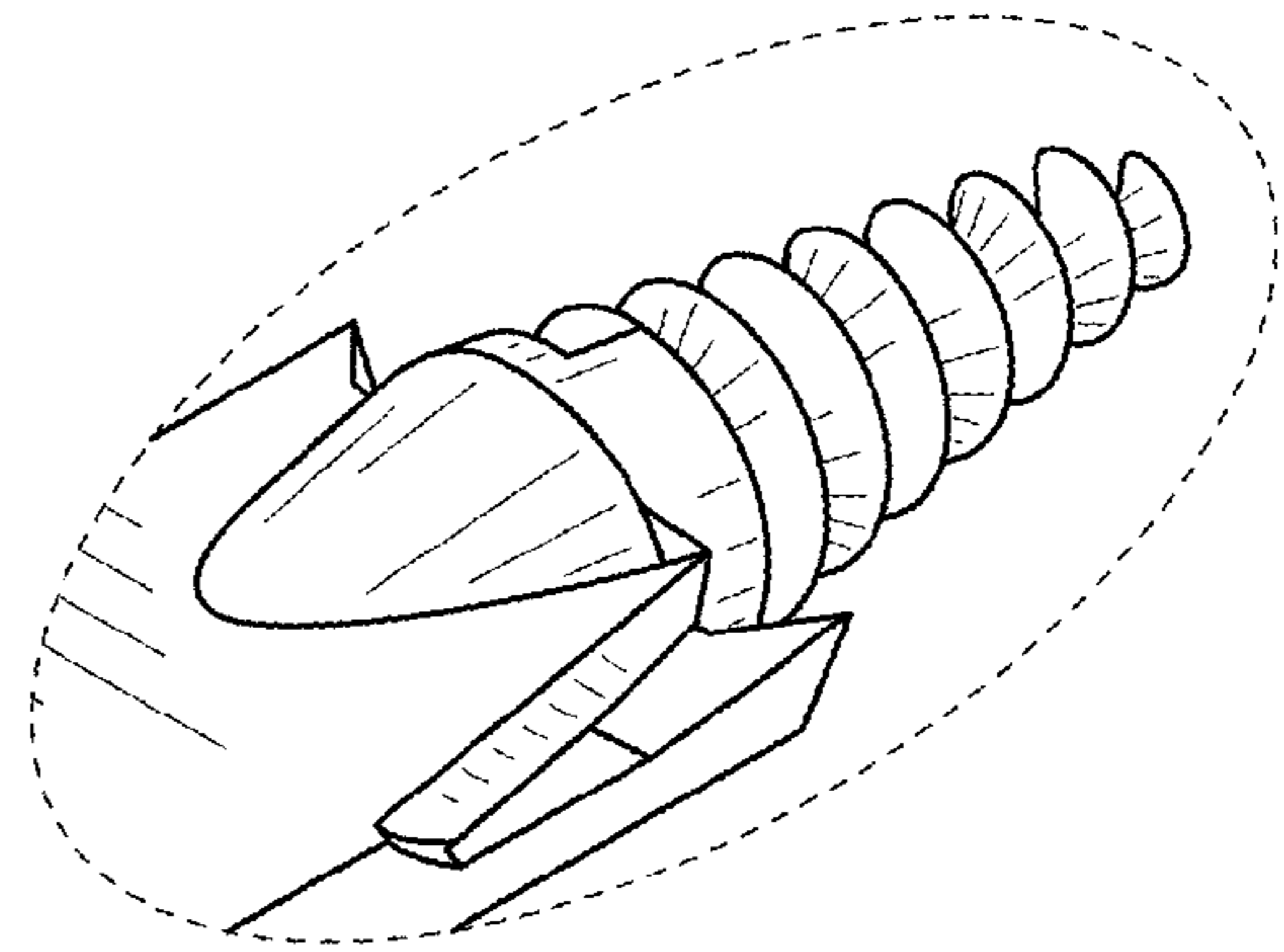


FIG. 9

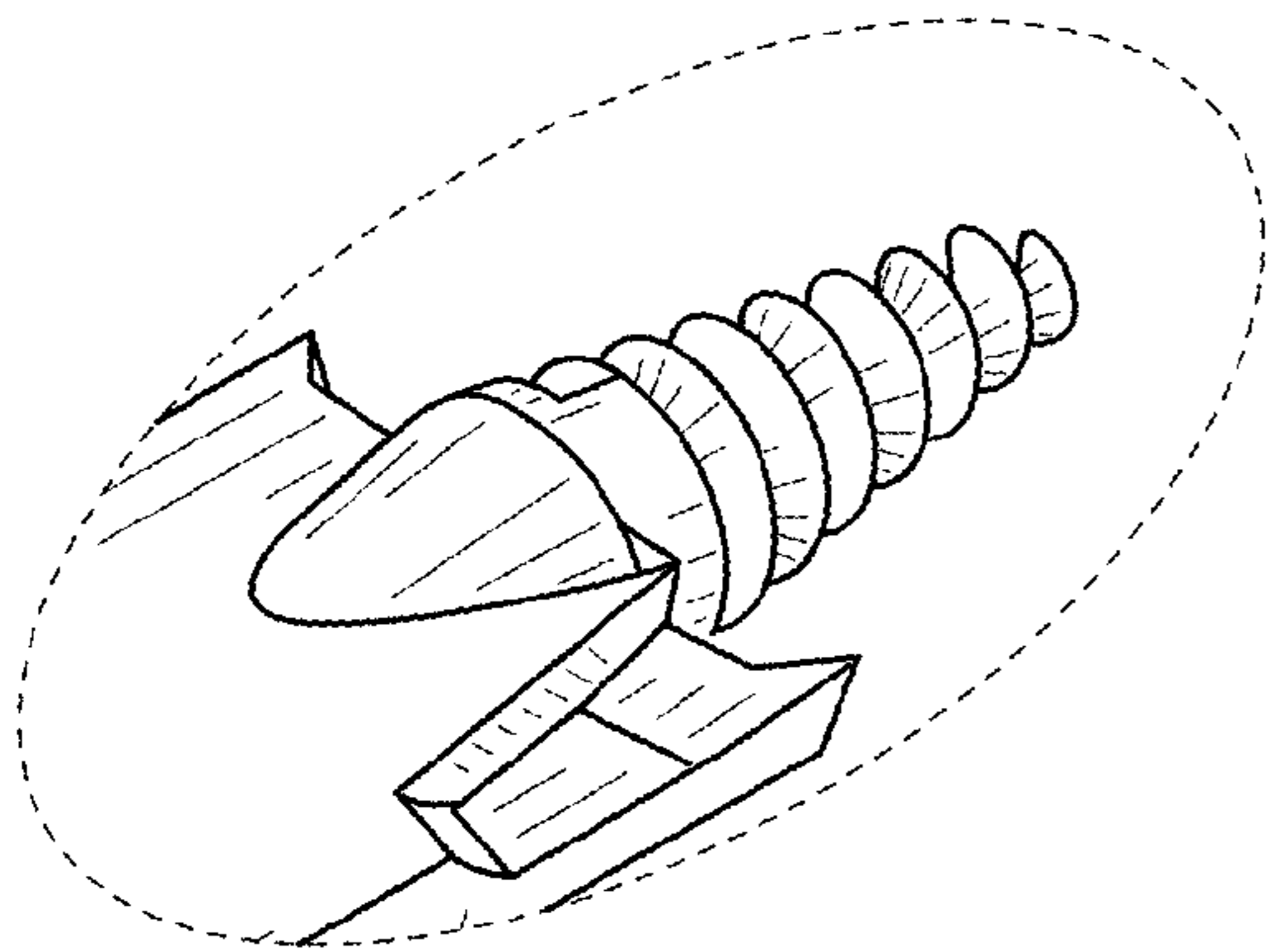


FIG. 10

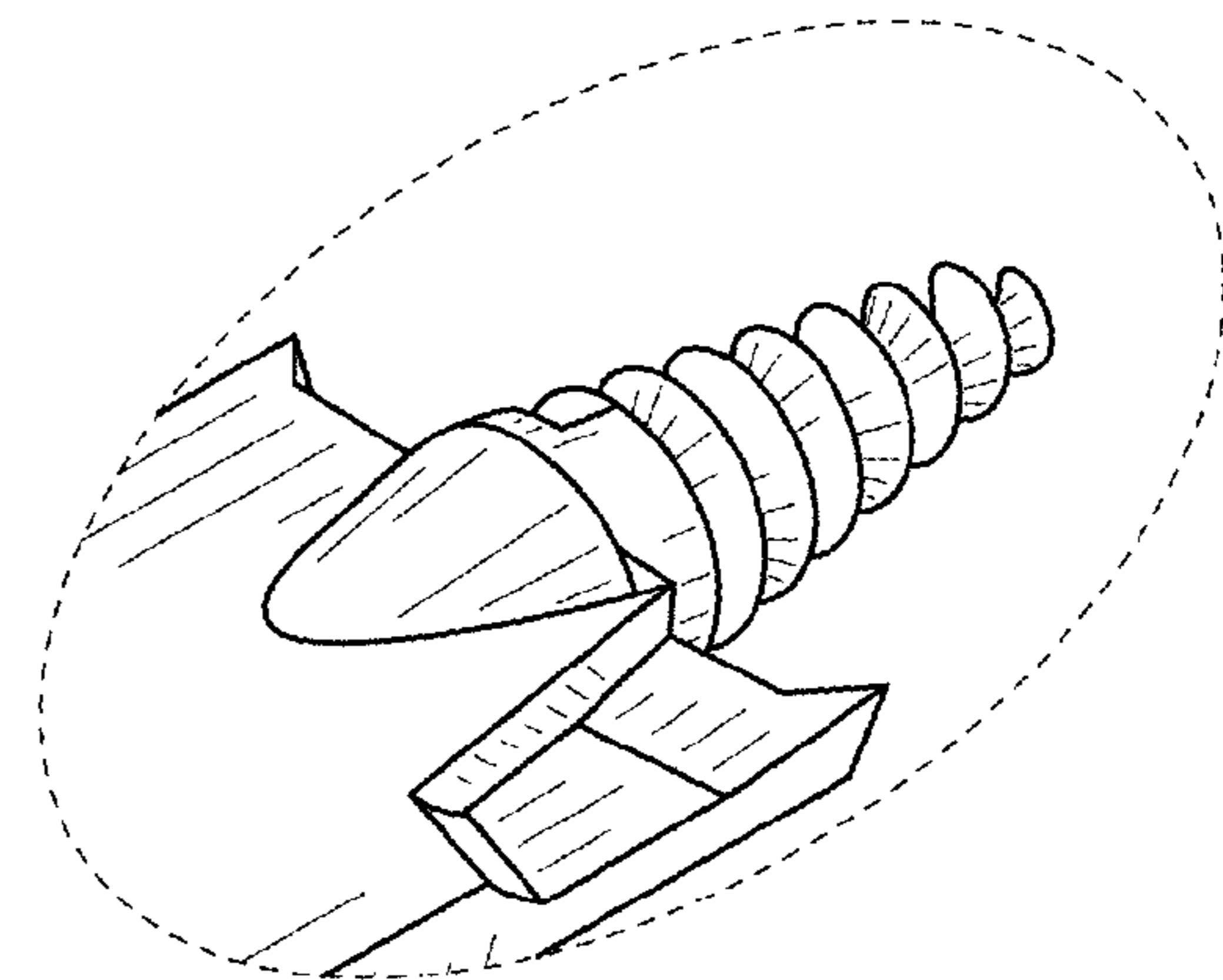


FIG. 11

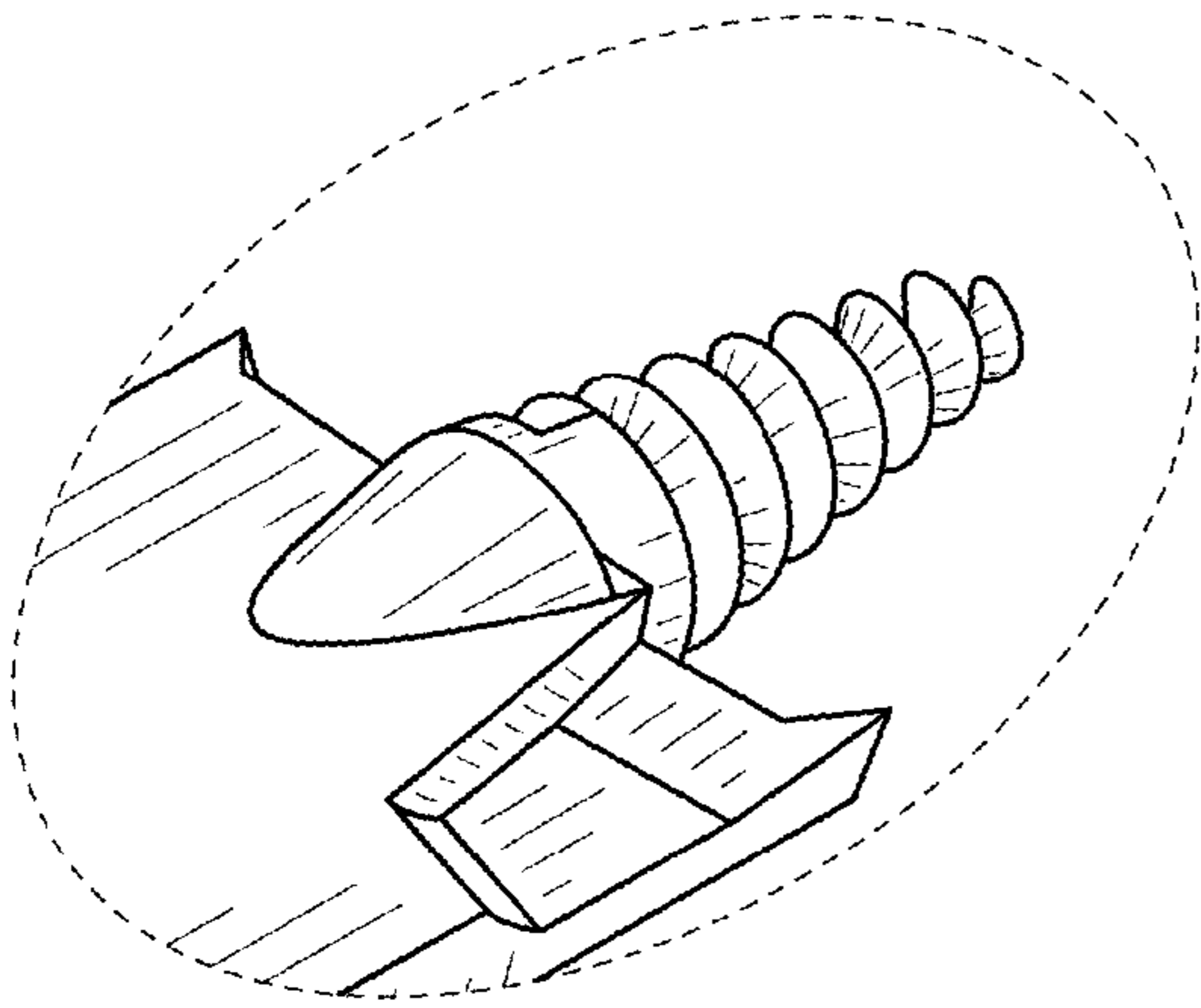


FIG. 12

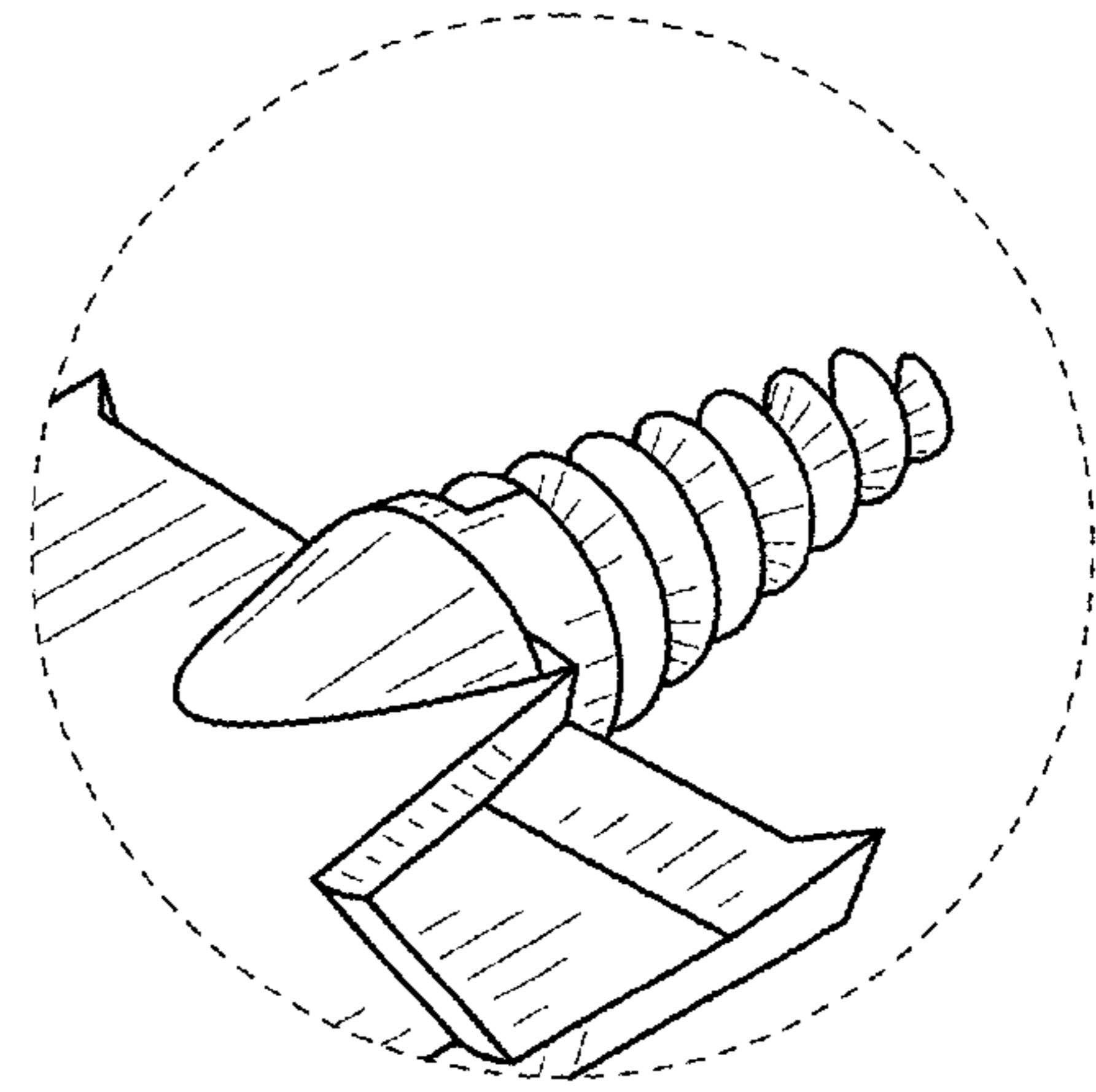


FIG. 13

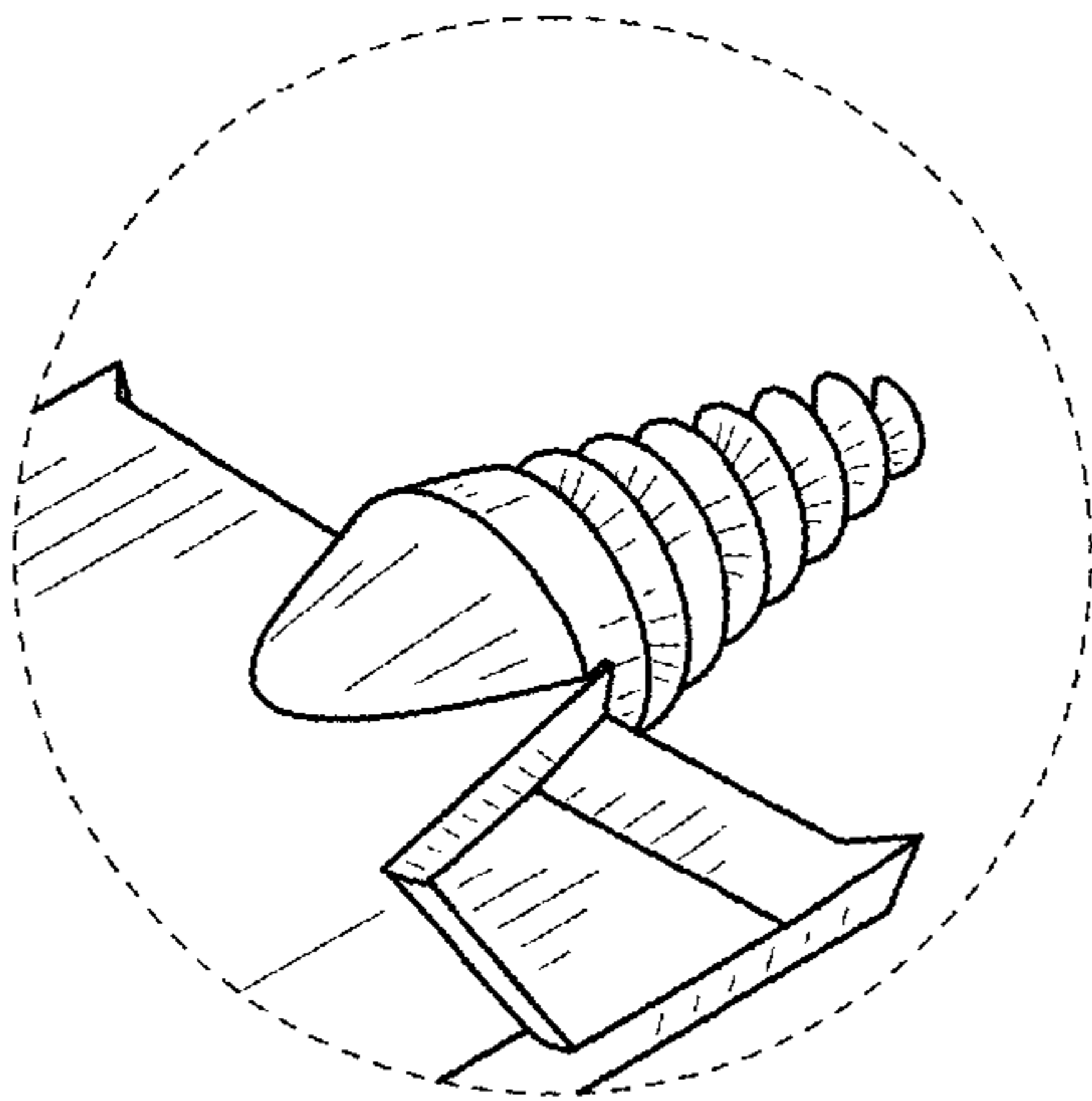


FIG. 14

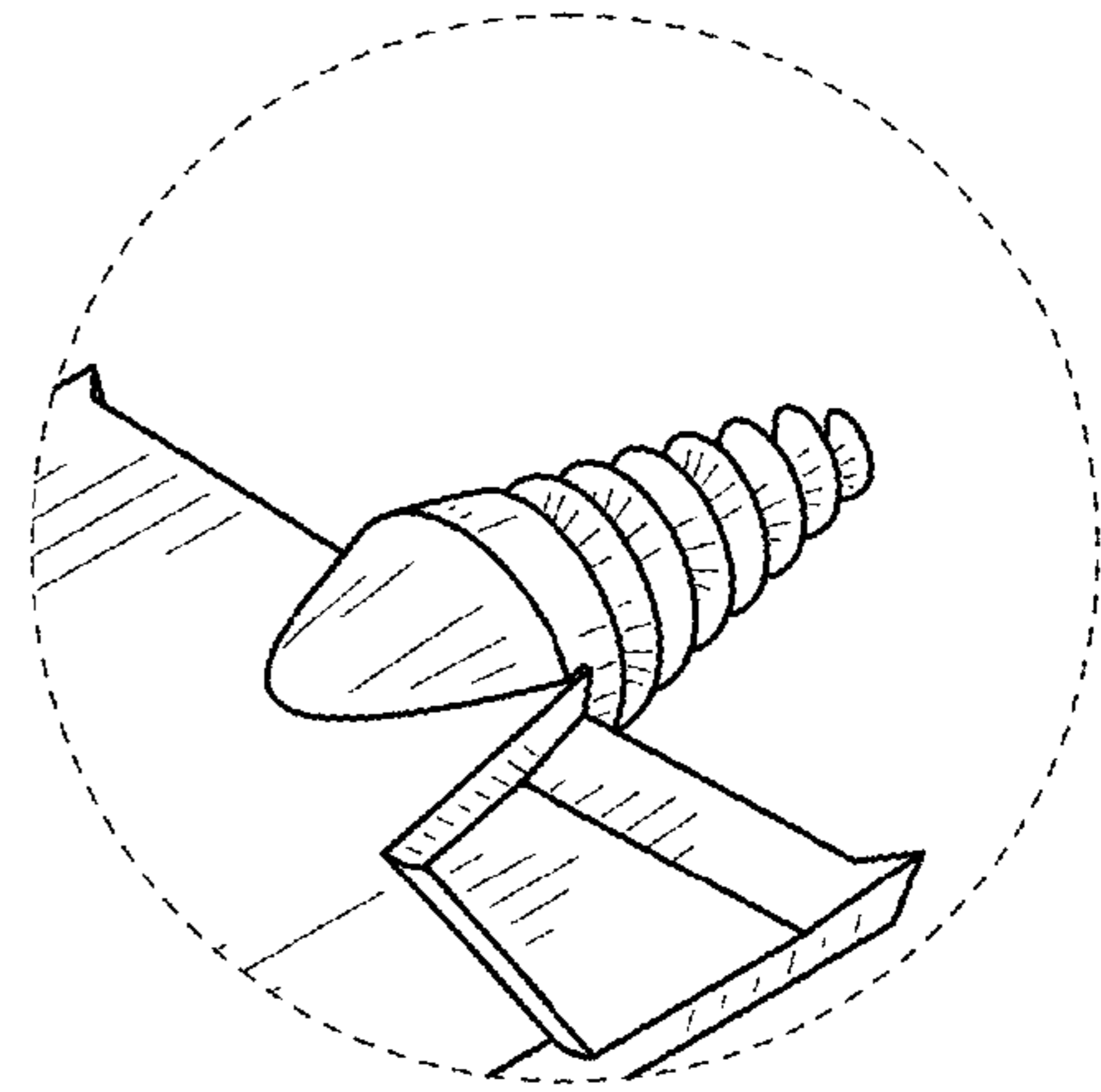


FIG. 15

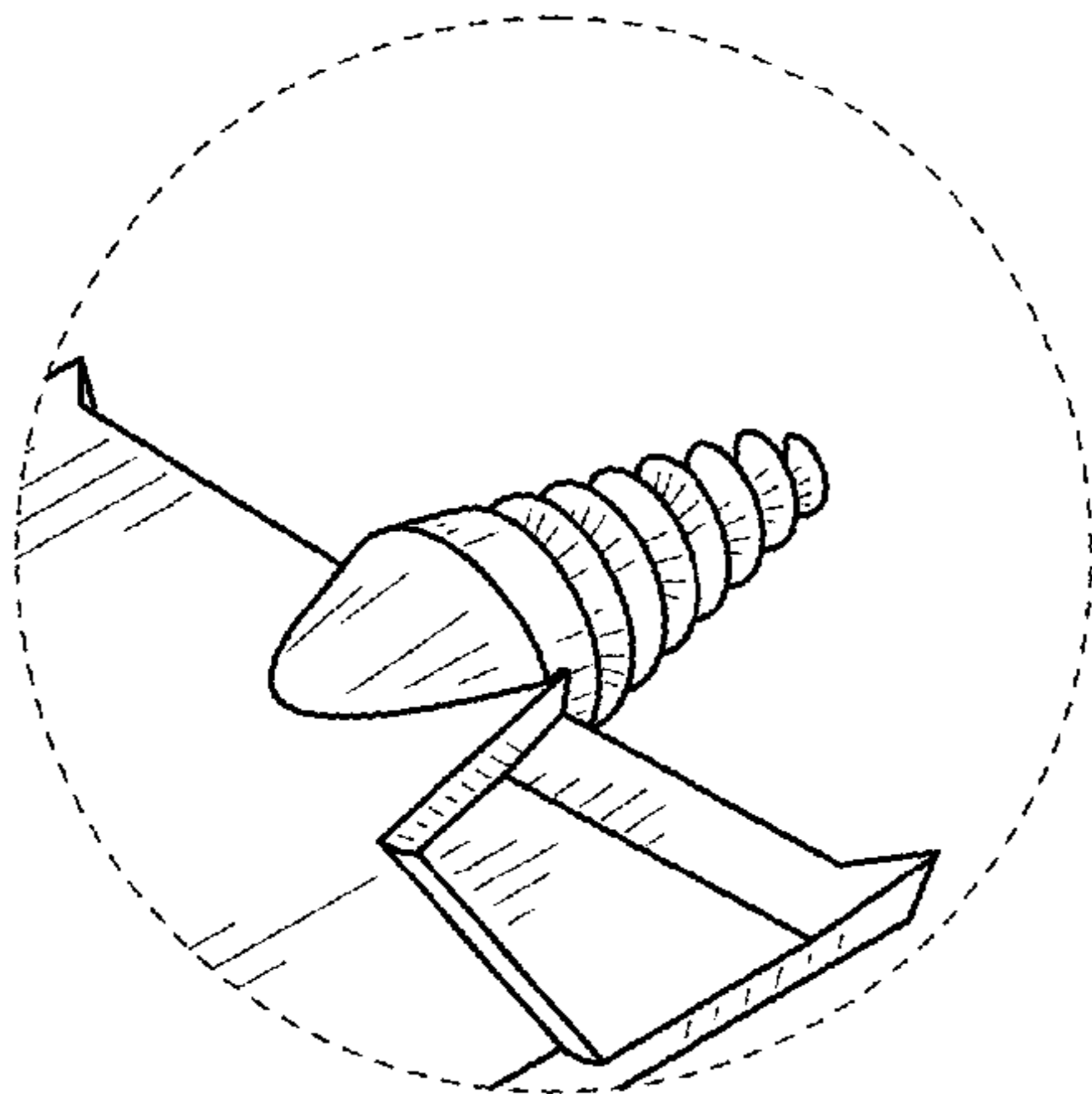


FIG. 16

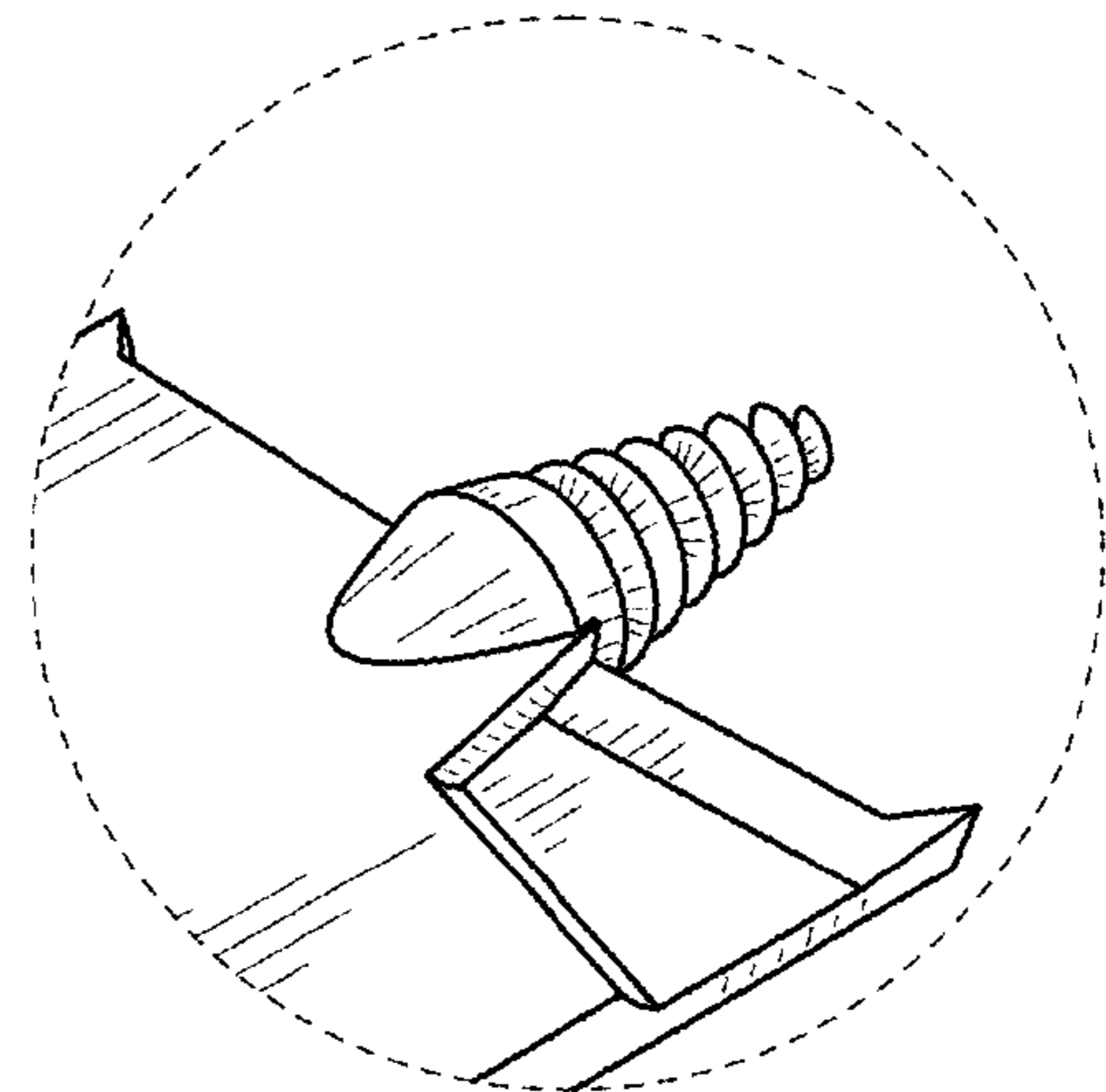


FIG. 17