



US00D872781S

(12) **United States Design Patent**
Öztürk

(10) **Patent No.:** **US D872,781 S**
(45) **Date of Patent:** **** Jan. 14, 2020**

- (54) **BREAKER CORE**
- (71) Applicant: **FOSECO INTERNATIONAL LIMITED**, Barlborough Links, Derbyshire (GB)
- (72) Inventor: **Harun Öztürk**, Maltepe (TR)
- (73) Assignee: **FOSECO INTERNATIONAL LIMITED**, Barlborough Links, Derbyshire (GB)
- (**) Term: **15 Years**
- (21) Appl. No.: **29/643,997**
- (22) Filed: **Apr. 13, 2018**
- (51) **LOC (12) Cl.** **15-09**
- (52) **U.S. Cl.**
USPC **D15/135**
- (58) **Field of Classification Search**
USPC D15/135, 136, 137, 138
CPC .. B22C 9/00; B22C 9/08; B22C 9/084; B22C 9/088
See application file for complete search history.

- 4,665,966 A * 5/1987 Neu B22C 9/088
164/137
- 5,299,625 A * 4/1994 Miki B22C 9/084
164/359
- 5,360,029 A * 11/1994 Goughneour E03C 1/108
137/217
- D356,853 S * 3/1995 Fowler D23/213
- D369,648 S * 5/1996 Fowler D23/213
- 5,744,173 A * 4/1998 Sterett B22C 9/00
425/144

(Continued)

Primary Examiner — Patricia A Palasik
(74) *Attorney, Agent, or Firm* — Nixon & Vanderhye PC

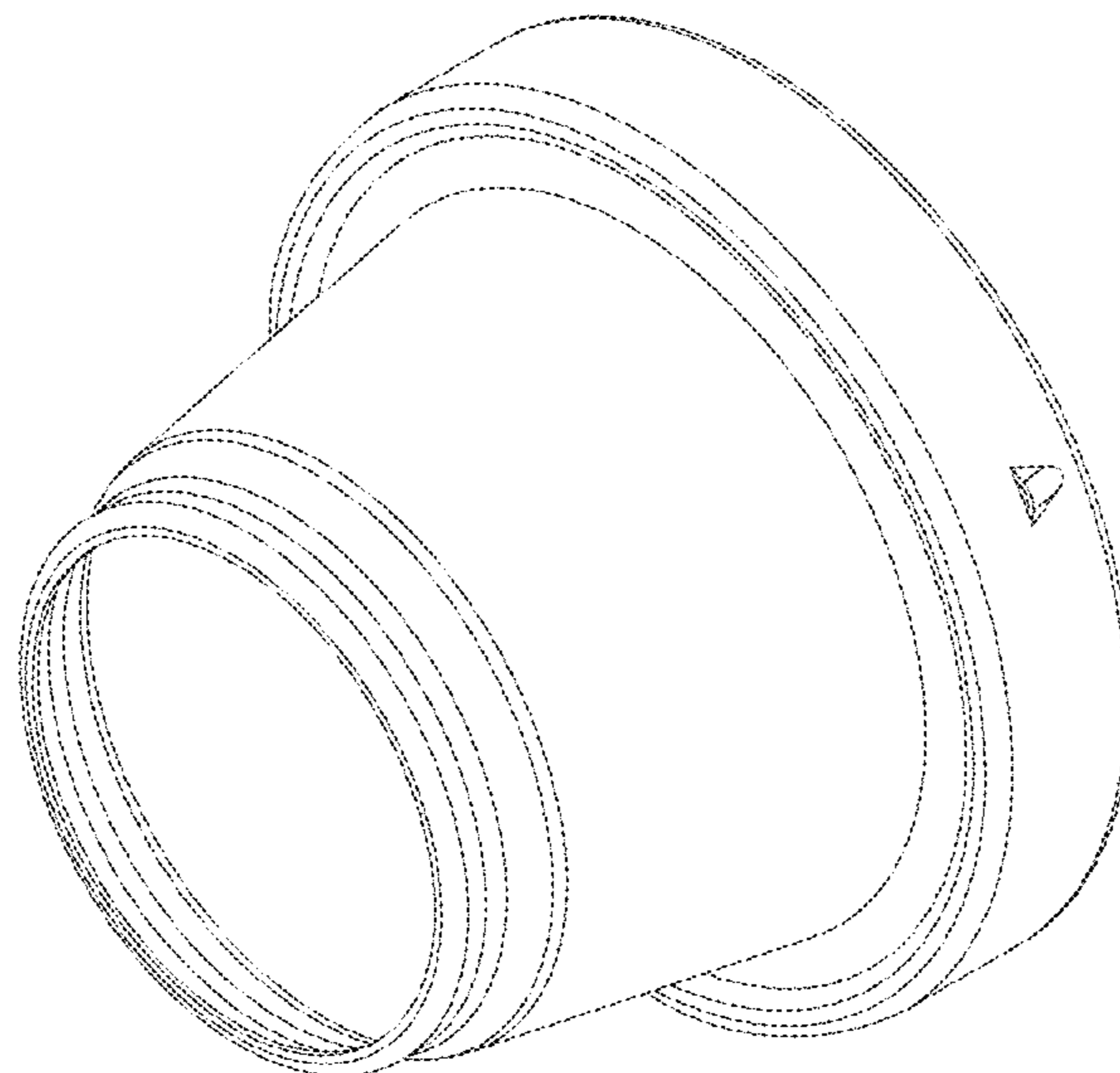
(57) **CLAIM**

The ornamental design for a breaker core, as shown and described.

DESCRIPTION

FIG. 1 is a perspective view of a first embodiment of my new design;
 FIG. 2 is a front elevation view thereof;
 FIG. 3 is a left side view thereof, the right side view being a mirror image of the left side view;
 FIG. 4 is a rear elevation view thereof;
 FIG. 5 is a bottom plan view thereof;
 FIG. 6 is a top plan view thereof;
 FIG. 7 is a side cross-sectional view, taken in the direction of line 7-7 shown in FIG. 5;
 FIG. 8 is a perspective view of a second embodiment of my new design;
 FIG. 9 is a front elevation view thereof;
 FIG. 10 is a left side view thereof, the right side view being a mirror image of the left side view;
 FIG. 11 is a rear elevation view thereof;
 FIG. 12 is a bottom plan view thereof;
 FIG. 13 is a top plan view thereof; and
 FIG. 14 is a side cross-sectional view, taken across the line 14-14 shown in FIG. 12.

1 Claim, 14 Drawing Sheets



(56)

References Cited

U.S. PATENT DOCUMENTS

6,289,969 B1 * 9/2001 Outten B22C 9/086
164/134
D644,714 S * 9/2011 Mauchle D23/213
D653,270 S * 1/2012 Furujo D15/144
D744,562 S * 12/2015 Hassan D15/144
9,987,676 B2 * 6/2018 Zumbusch B22C 9/088
2004/0256075 A1 * 12/2004 Schafer B22C 9/088
164/359
2005/0247424 A1 * 11/2005 Prat Urreiztieta B22C 9/084
164/21
2008/0230201 A1 * 9/2008 Skerdi B22C 9/084
164/359
2008/0265129 A1 * 10/2008 Skerdi B22C 9/088
249/204
2009/0301684 A1 * 12/2009 Beckmann B22C 9/084
164/137
2013/0037375 A1 * 2/2013 Salazar Jaulhac B22C 9/088
193/2 R
2013/0299118 A1 * 11/2013 Zhu B22D 7/06
164/348
2015/0034801 A1 * 2/2015 Lemarchand B22C 9/088
249/197
2016/0030999 A1 * 2/2016 Zumbusch B22C 9/088
164/133
2016/0199904 A1 * 7/2016 Arai B22C 9/06
2017/0050238 A1 * 2/2017 Aufderheide B22C 9/088
2017/0209917 A1 * 7/2017 Volks B22C 9/084
2018/0021847 A1 * 1/2018 Sugiyama B22C 9/08
164/257
2018/0071815 A1 * 3/2018 Shao B22C 9/08
2018/0318912 A1 * 11/2018 Trinowski B22C 3/00
2018/0361470 A1 * 12/2018 Rotmann B22D 15/02

* cited by examiner

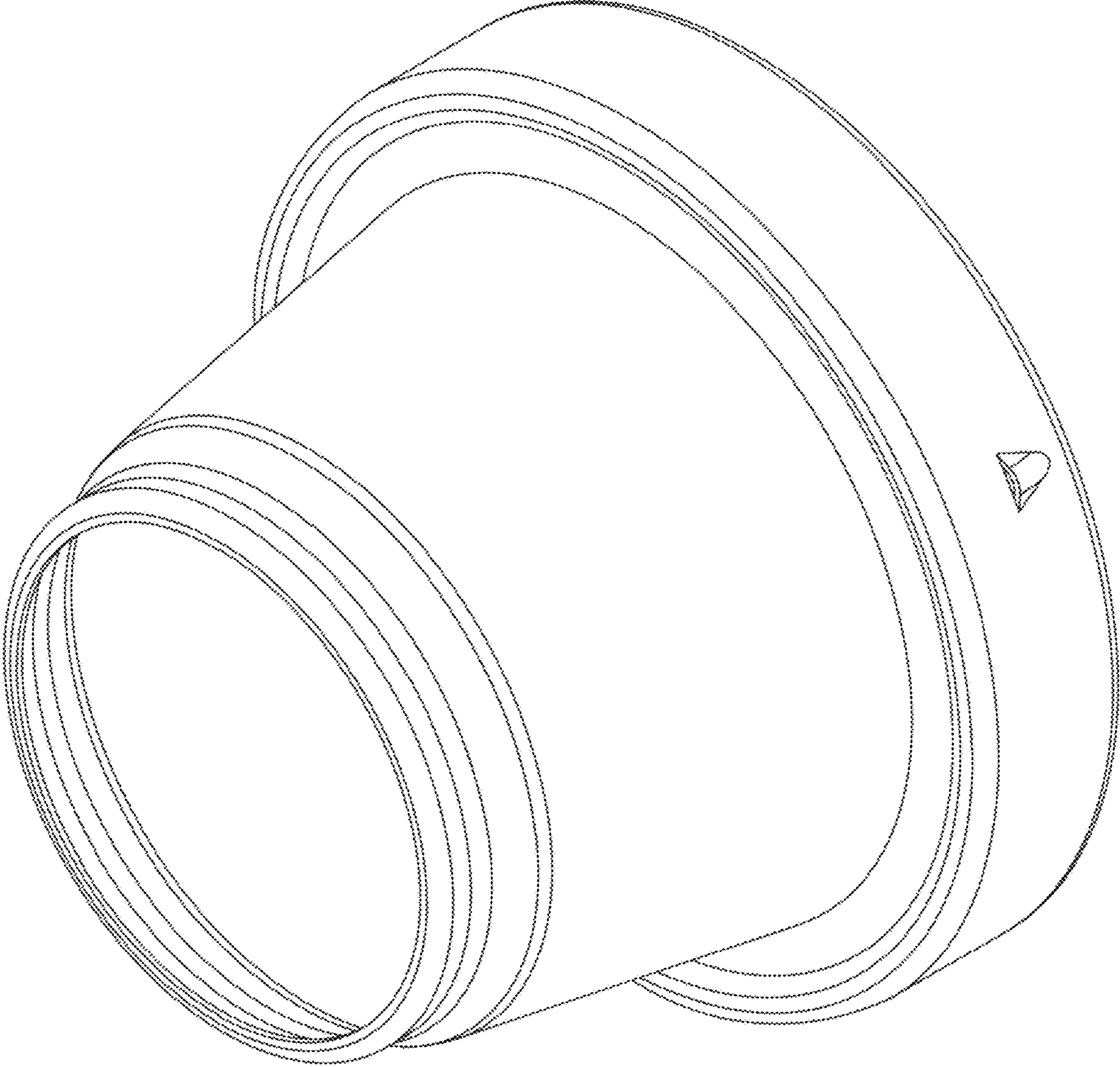


Fig. 1

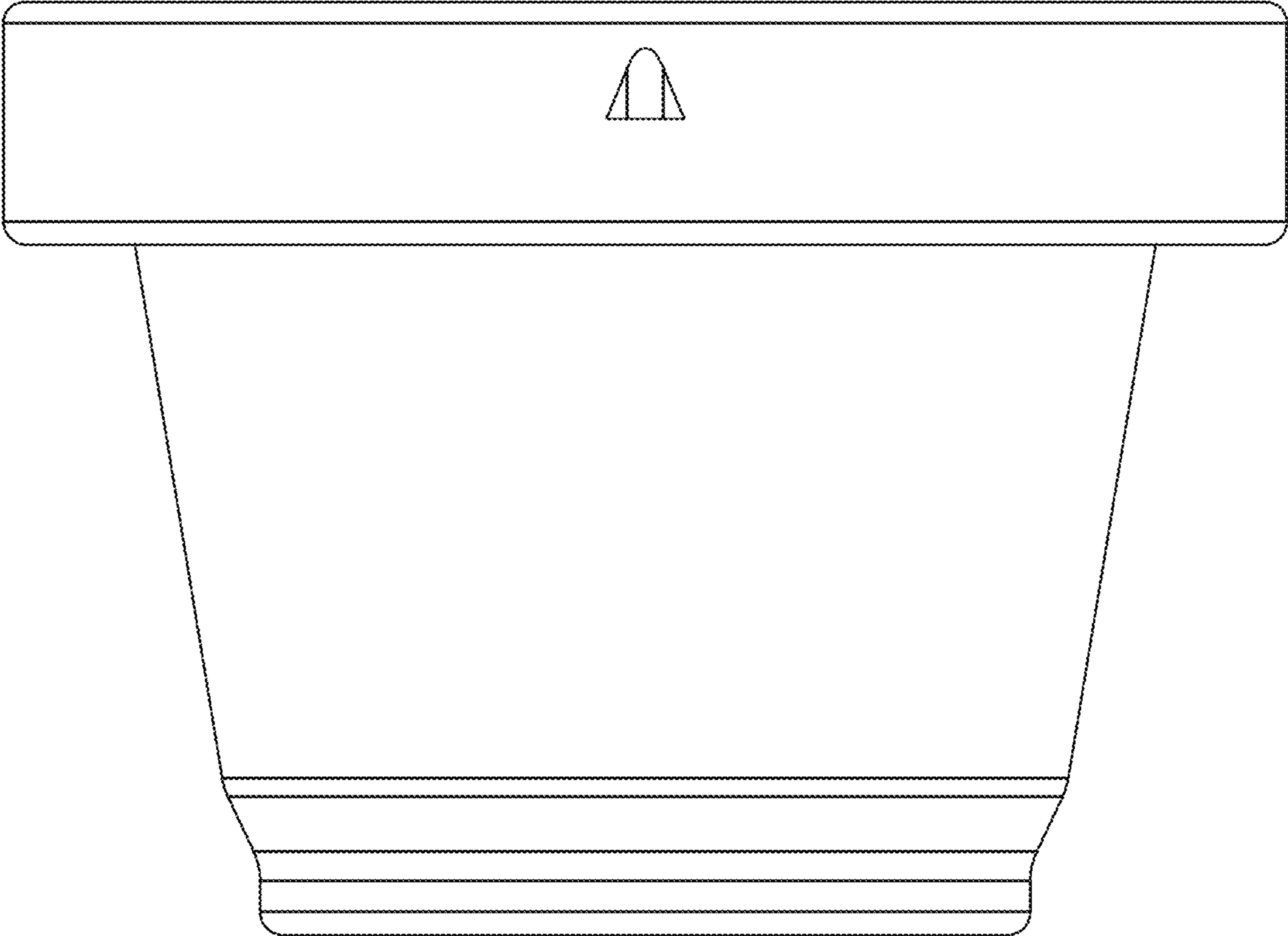


Fig. 2

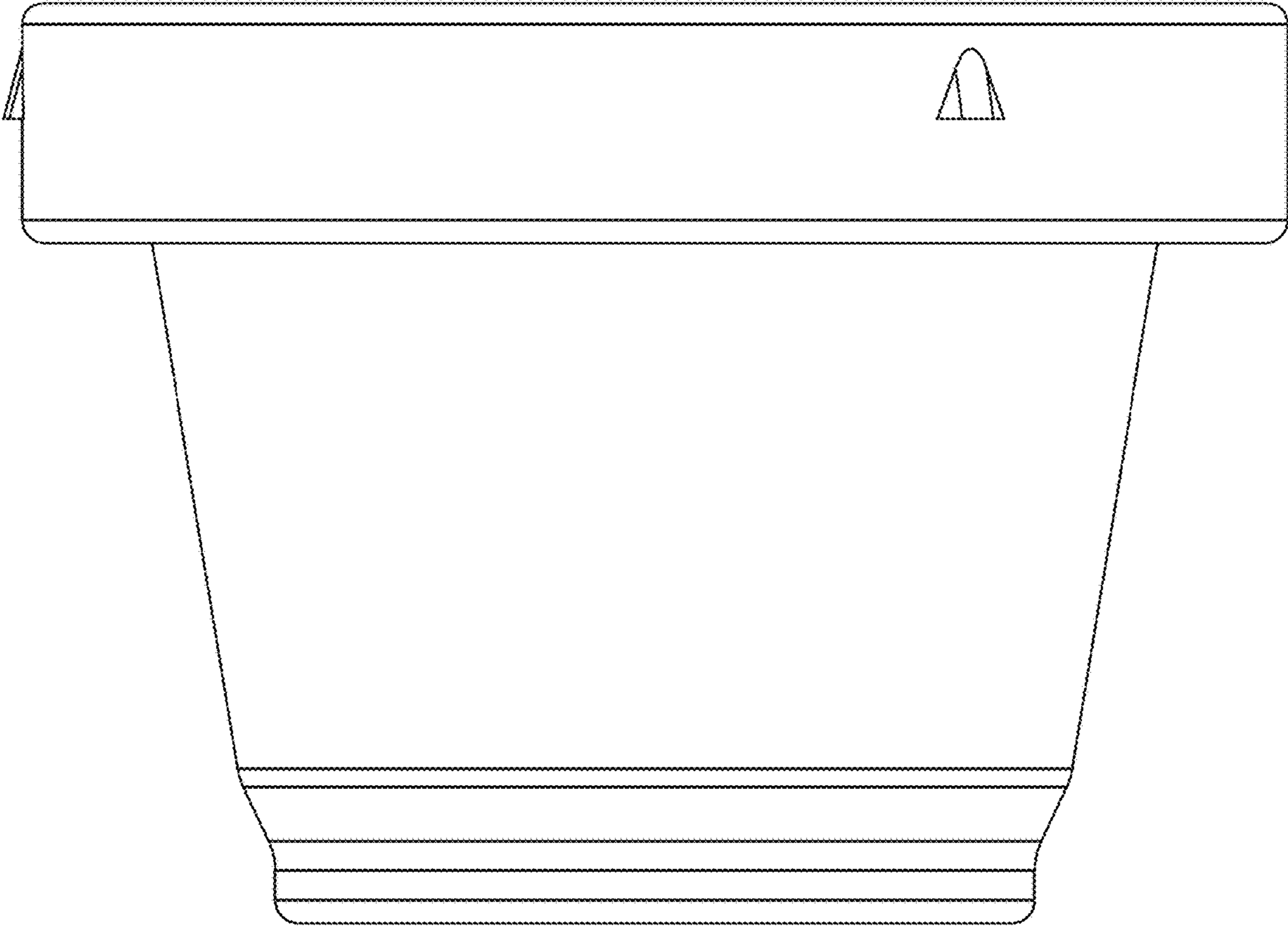


Fig. 3

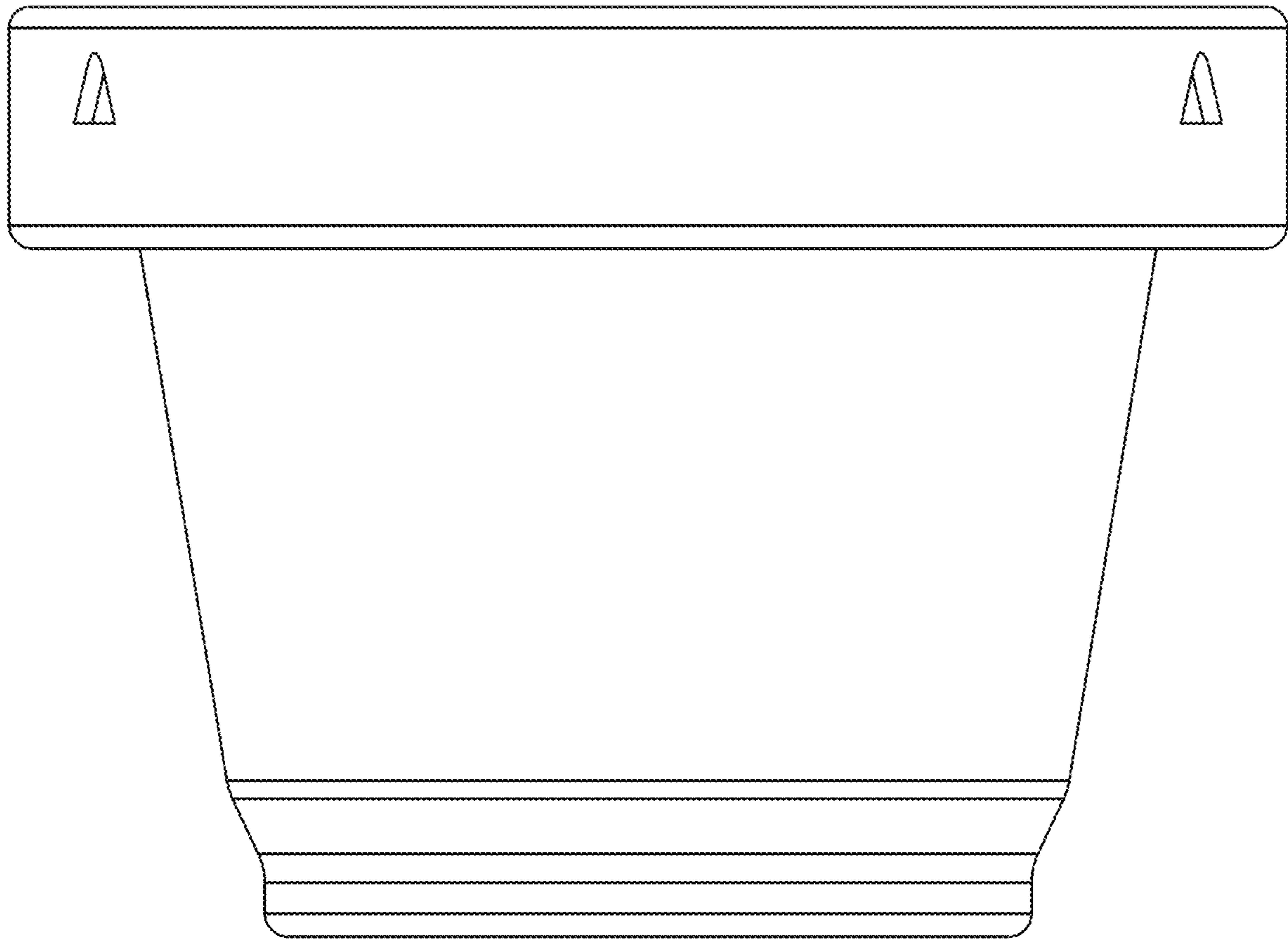


Fig. 4

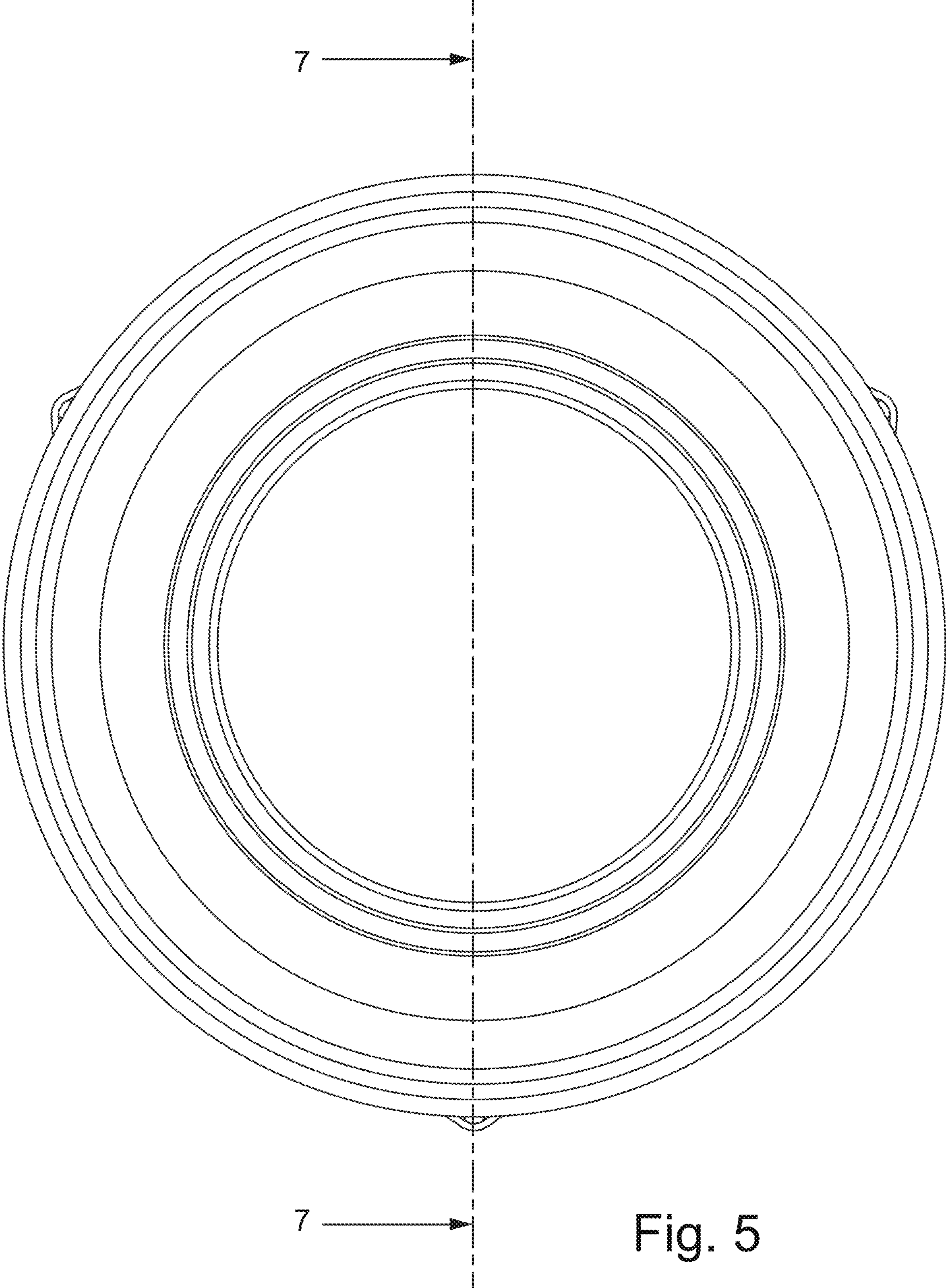


Fig. 5

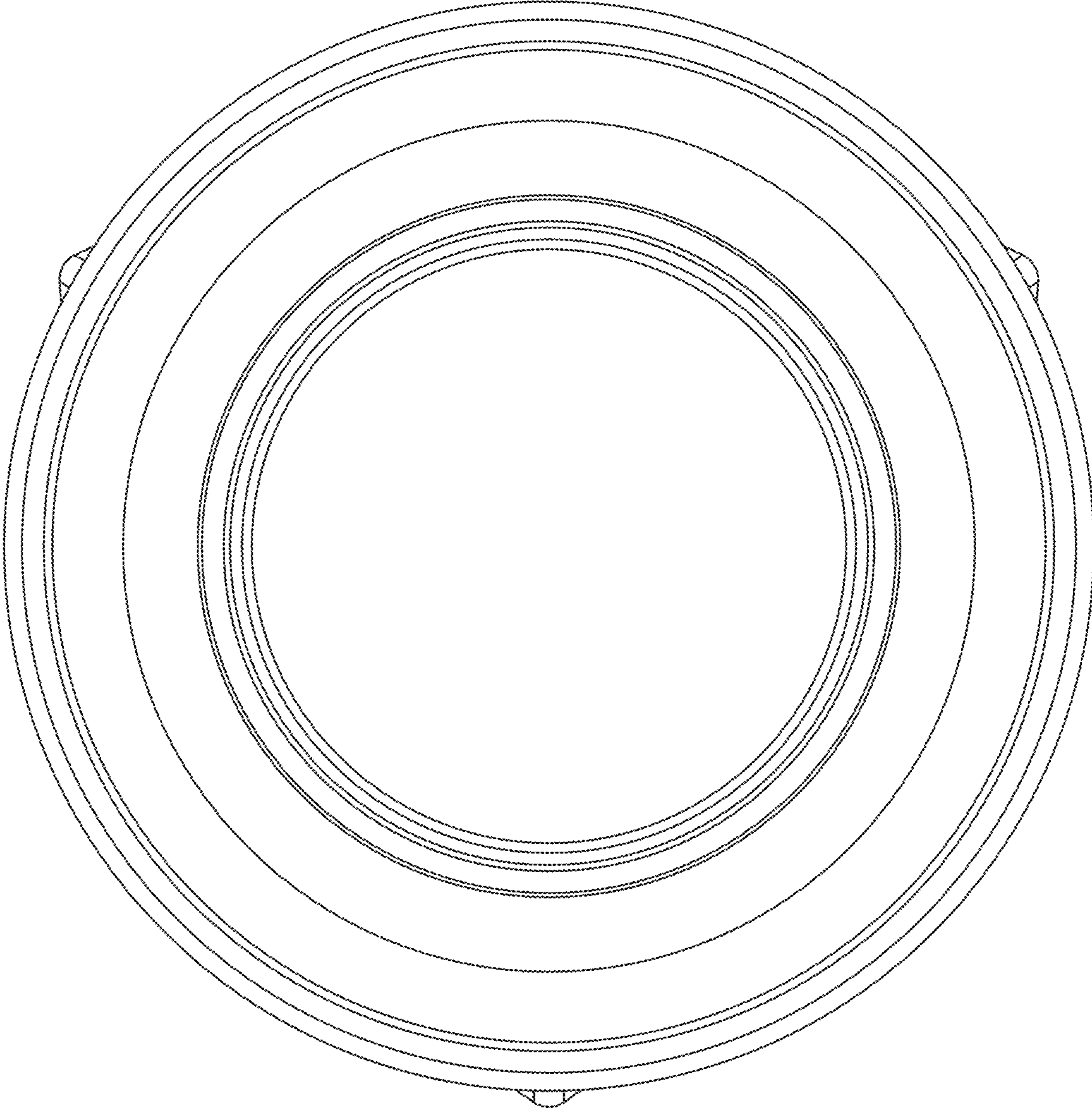


Fig. 6

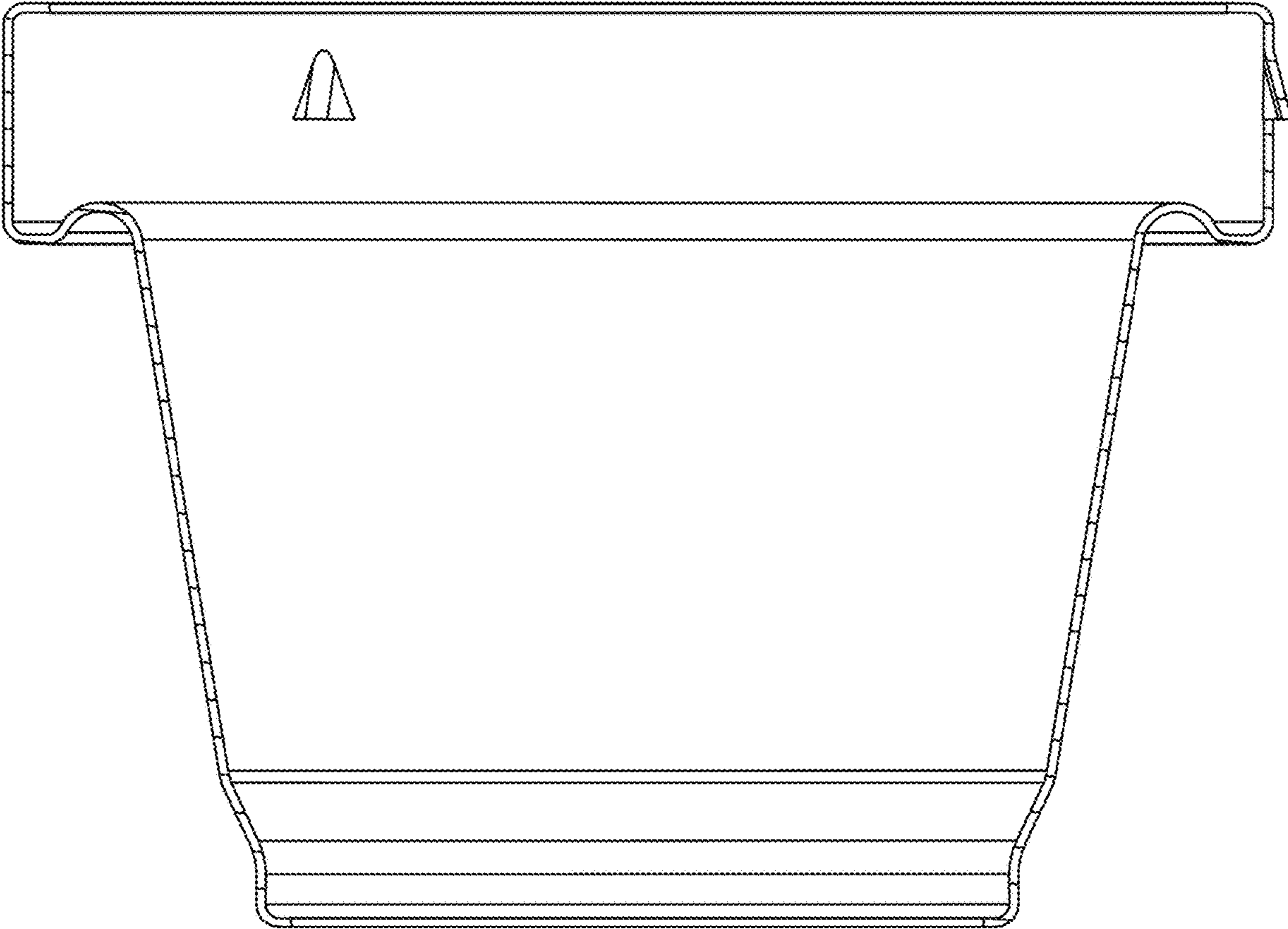


Fig. 7

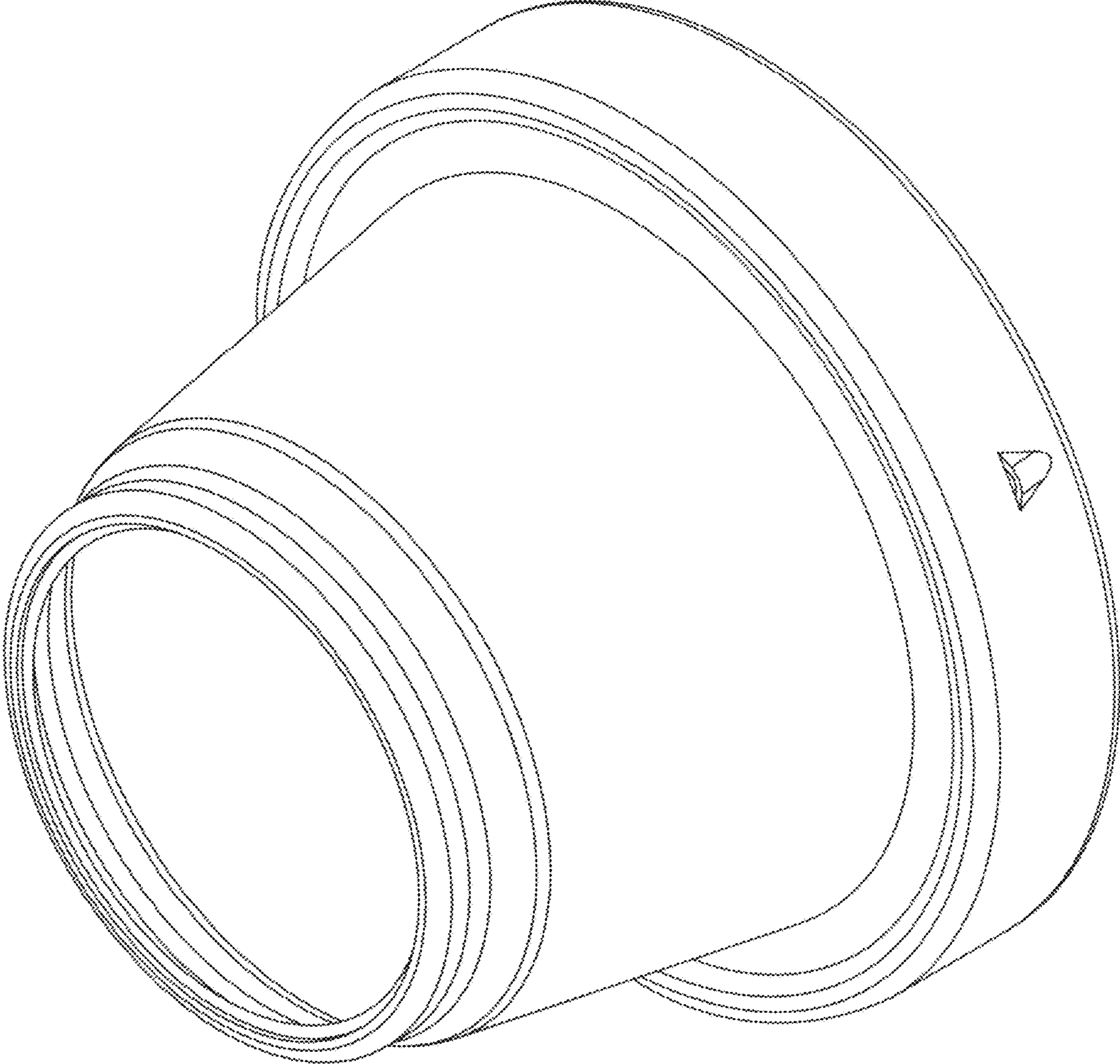


Fig. 8

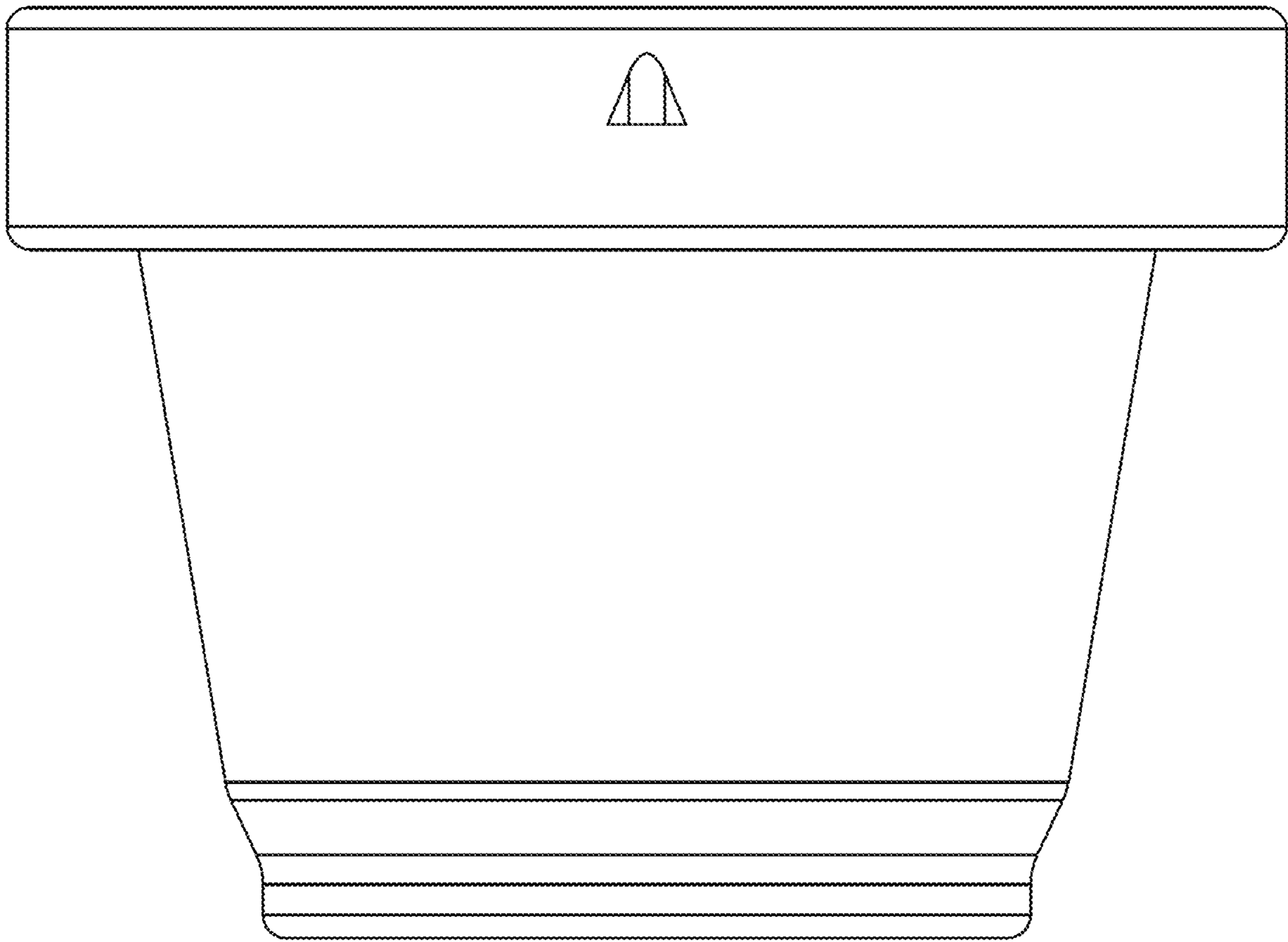


Fig. 9

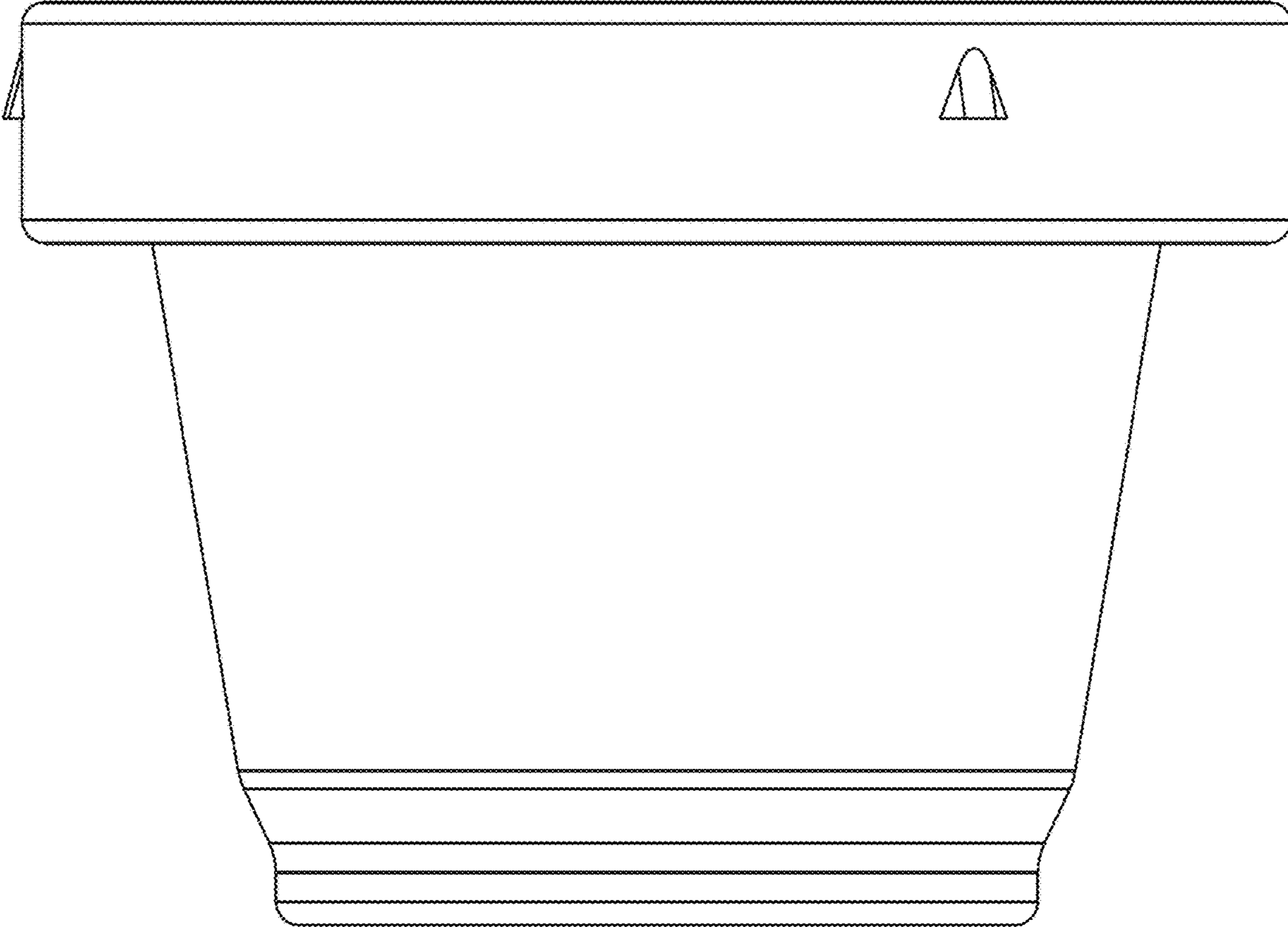


Fig. 10

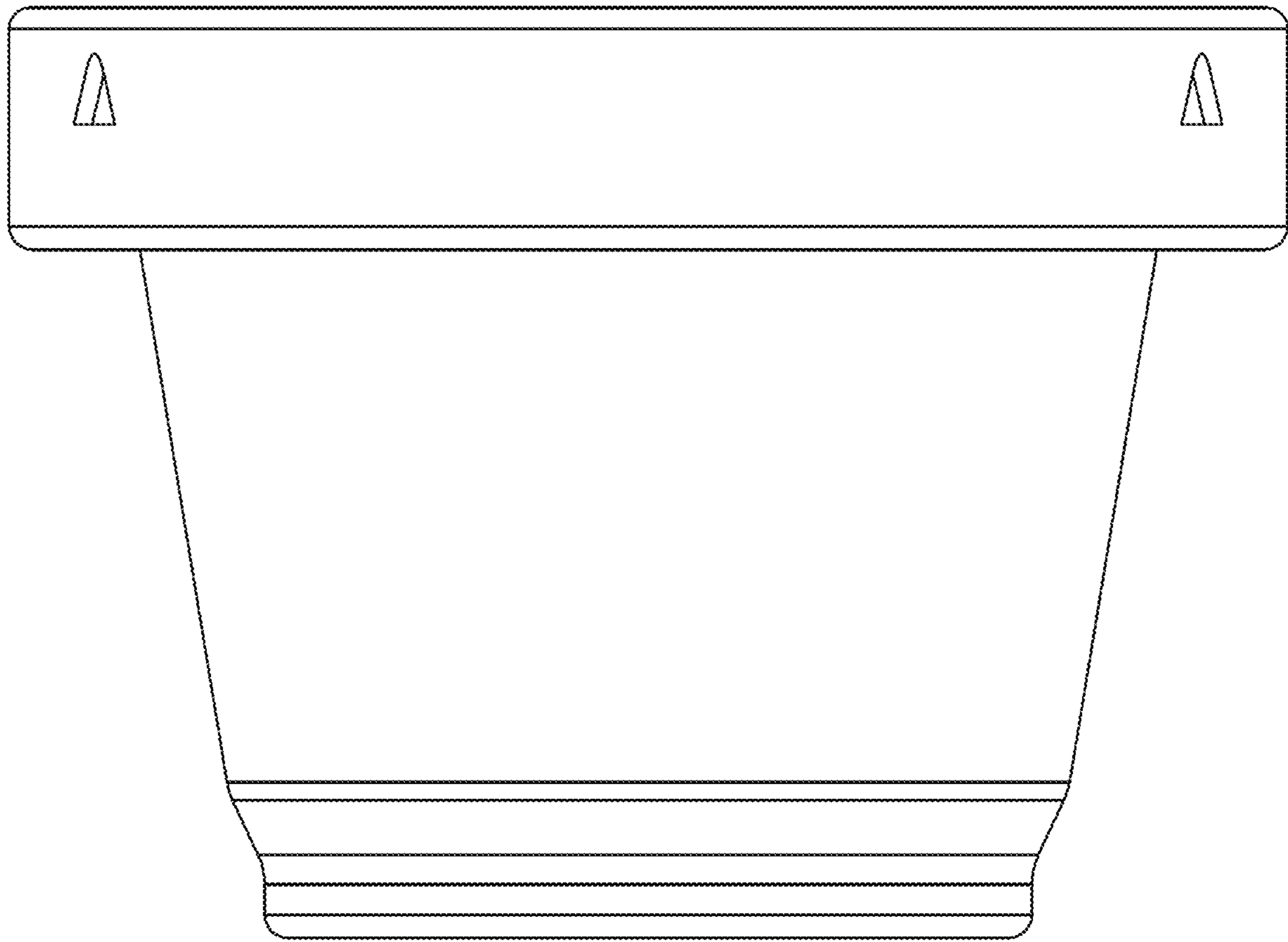


Fig. 11

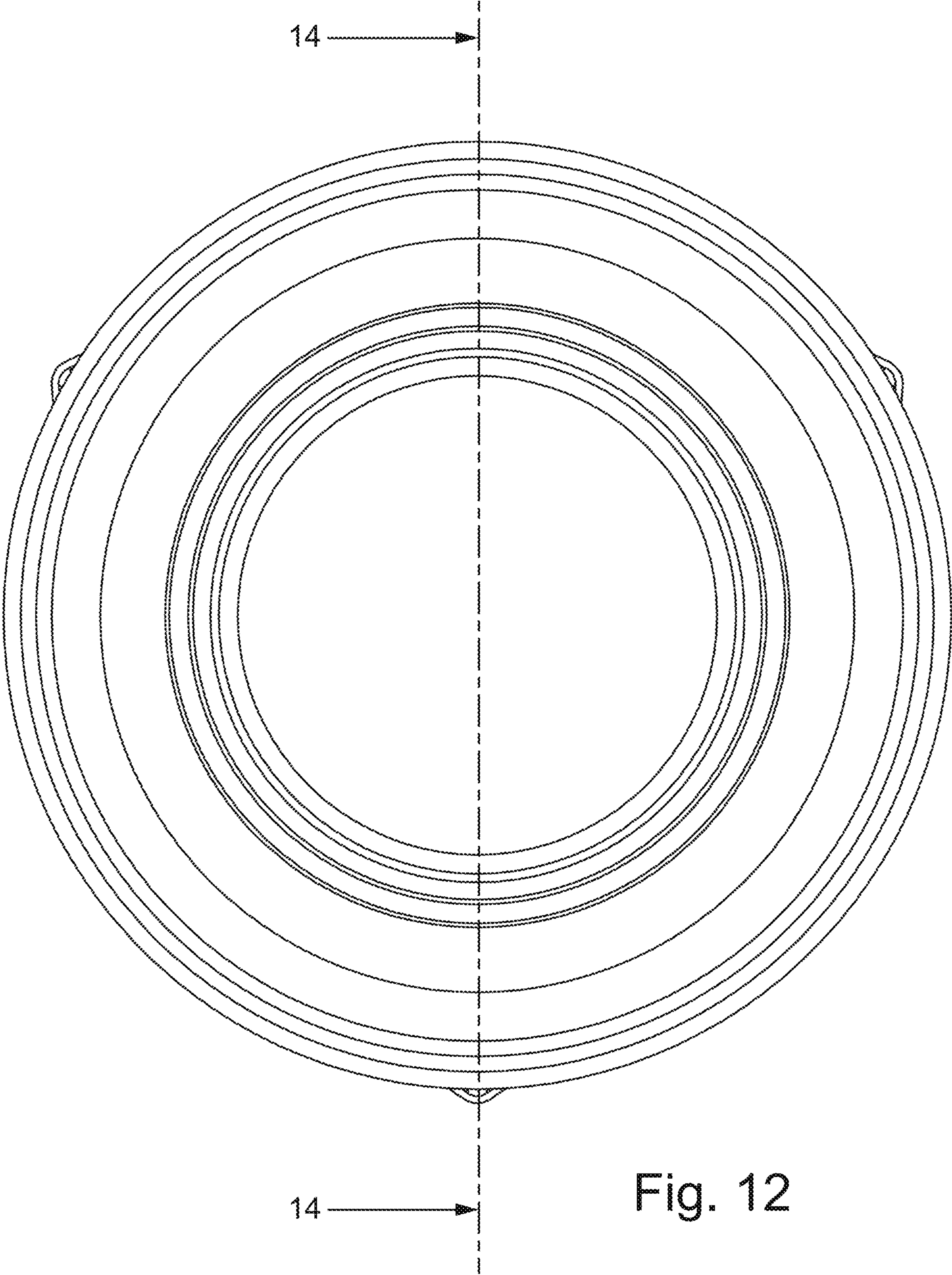


Fig. 12

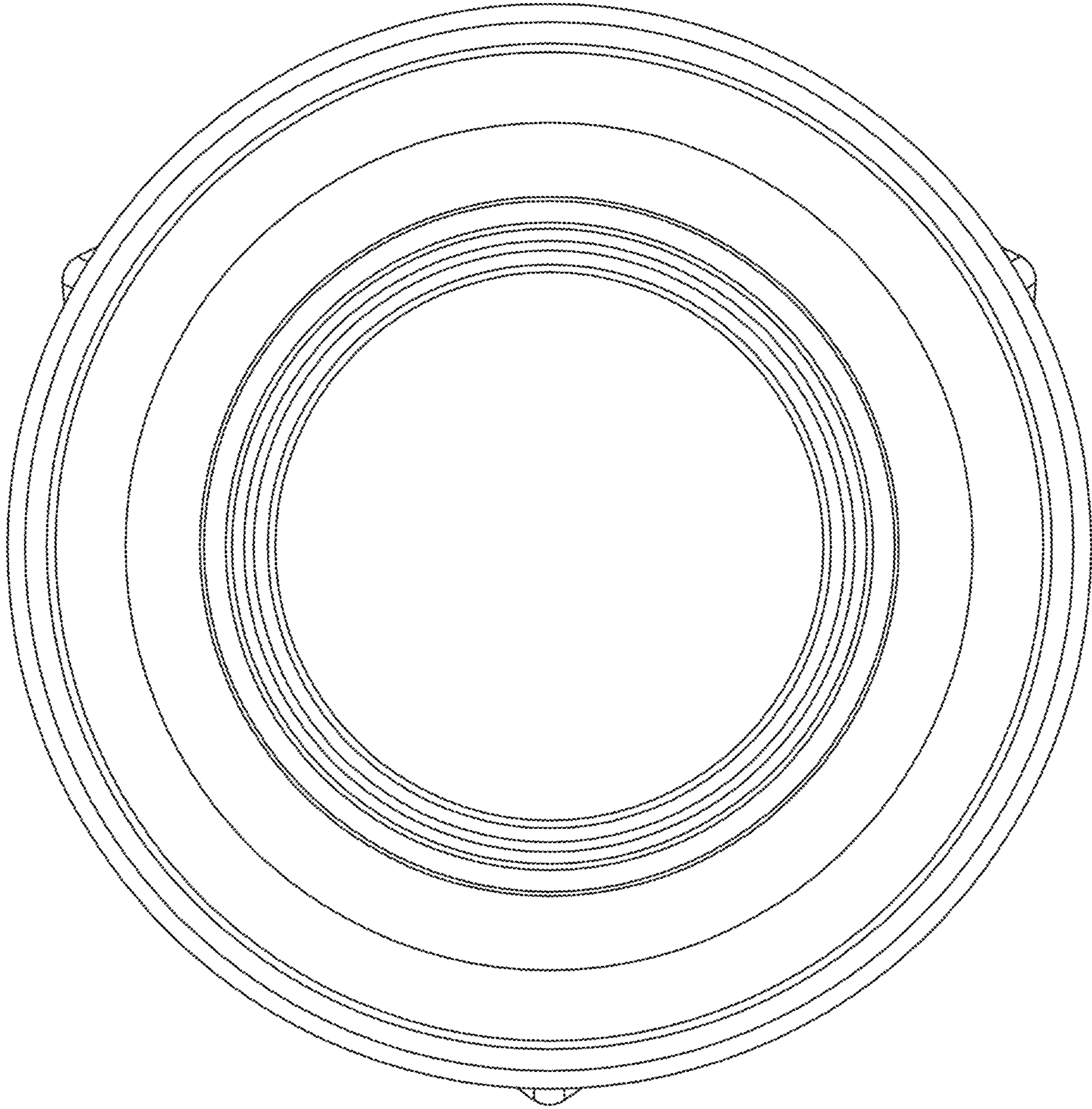


Fig. 13

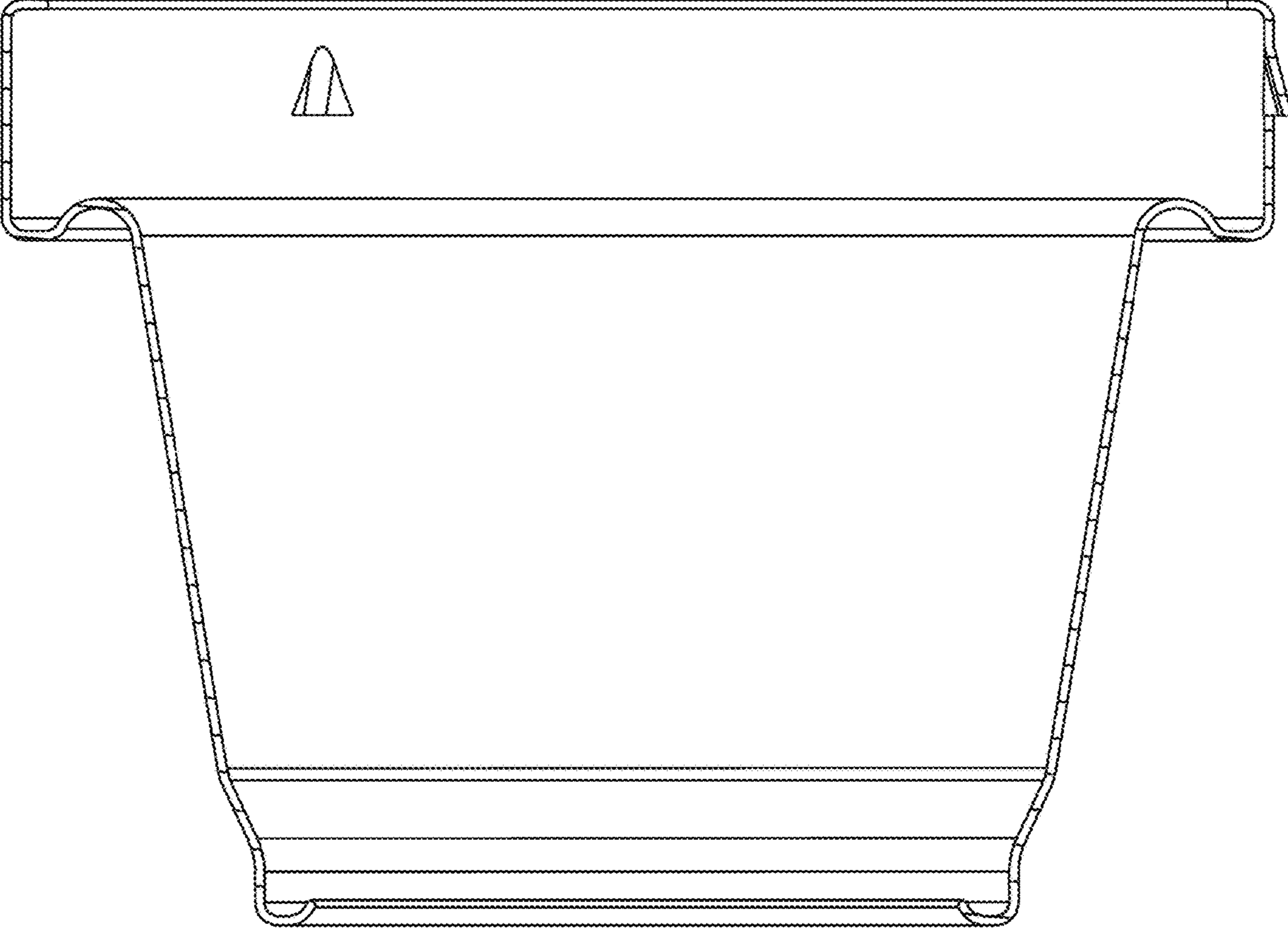


Fig. 14