



US00D872778S

(12) **United States Design Patent**
Palmeter

(10) **Patent No.:** **US D872,778 S**

(45) **Date of Patent:** **** Jan. 14, 2020**

- (54) **LASER MARKING APPARATUS**
- (71) Applicant: **LMTGRP LLC**, Caro, MI (US)
- (72) Inventor: **Samuel Palmeter**, Caro, MI (US)
- (73) Assignee: **LMTGRP, LLC**, Caro, MI (US)
- (**) Term: **15 Years**

D732,586 S *	6/2015	Chen	D15/122
D740,863 S *	10/2015	Kemperle	D15/122
D745,069 S *	12/2015	Kemperle	D15/122
D745,070 S *	12/2015	Schindler	D15/122
D776,174 S *	1/2017	Summit	D15/122
D777,809 S *	1/2017	Wu	D15/122
D778,329 S *	2/2017	Grobe	D15/122
D781,357 S *	3/2017	Inaba	D15/122
D787,574 S *	5/2017	Lee	D15/122
D790,610 S *	6/2017	Schindler	D15/122
D794,099 S *	8/2017	Gallo	D15/122

(21) Appl. No.: **29/650,604**

* cited by examiner

(22) Filed: **Jun. 7, 2018**

Primary Examiner — Khawaja Anwar

Related U.S. Application Data

(74) *Attorney, Agent, or Firm* — Inventa Capital PLC

(63) Continuation-in-part of application No. 29/571,328, filed on Jul. 18, 2016, now abandoned.

(51) **LOC (12) Cl.** **15-03**

(52) **U.S. Cl.**
USPC **D15/122**

(58) **Field of Classification Search**
USPC D14/420–425; D18/14, 19, 36–39, 50,
D18/53, 54.1, 55; D15/122, 135
CPC B41C 1/05; B41C 1/00; B41C 1/02; B41C
1/14; B41C 1/18; B41C 1/182; B24B
37/08; B29D 11/00663
See application file for complete search history.

(56) **References Cited**

U.S. PATENT DOCUMENTS

D266,520 S *	10/1982	Engel	D15/122
D694,787 S *	12/2013	Mueller	D15/122

(57) **CLAIM**

I claim the ornamental design for a laser marking apparatus, as shown and described.

DESCRIPTION

FIG. 1 is a front view of a laser marking apparatus of the present invention;
FIG. 2 is a rear view of the laser marking apparatus;
FIG. 3 is a left side view of the laser marking apparatus;
FIG. 4 is a right side view of the laser marking apparatus;
FIG. 5 is a top view of the laser marking apparatus;
FIG. 6 is a bottom side view of the laser marking apparatus;
and,
FIG. 7 is a perspective view of the laser marking apparatus.

1 Claim, 7 Drawing Sheets

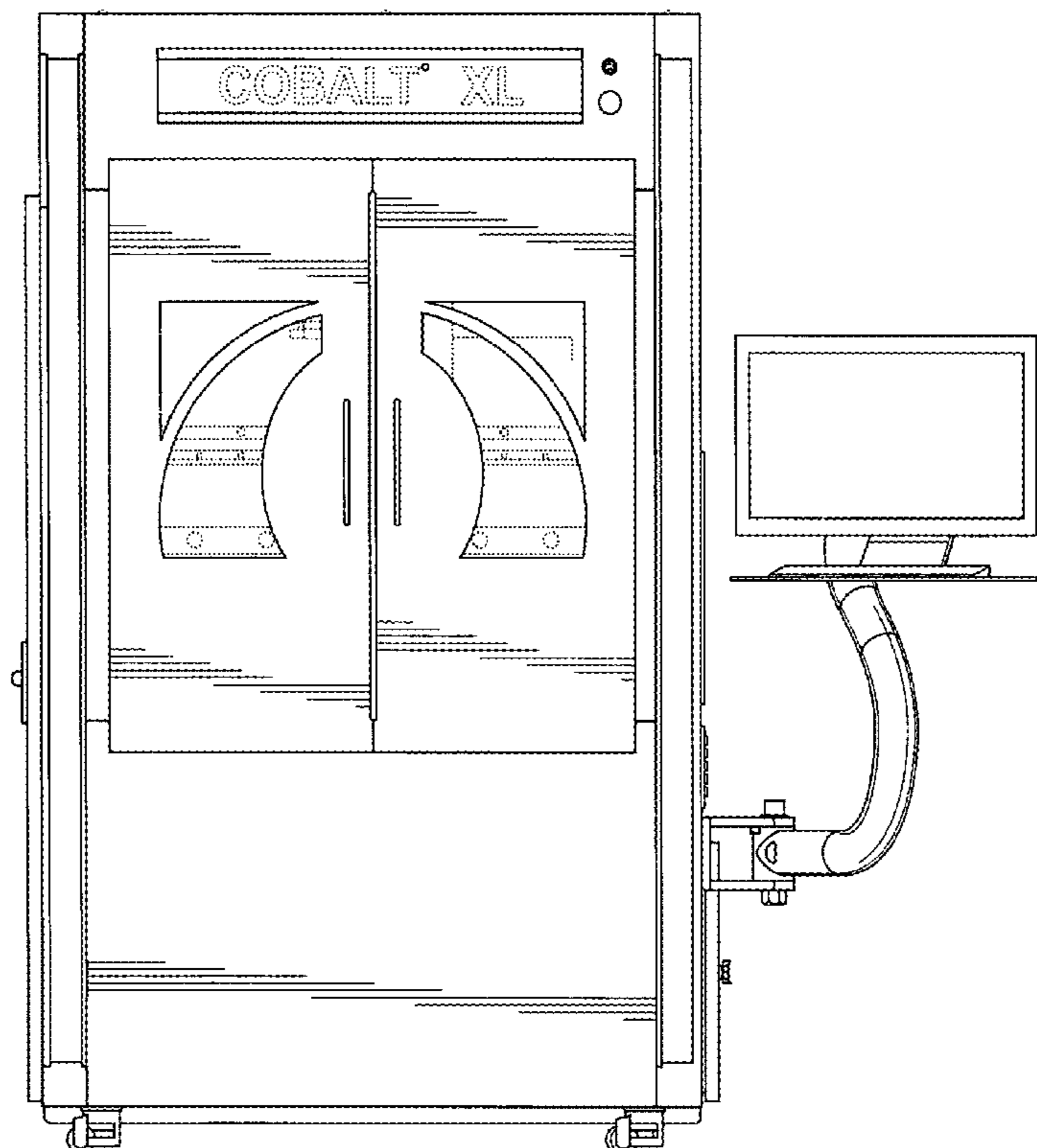
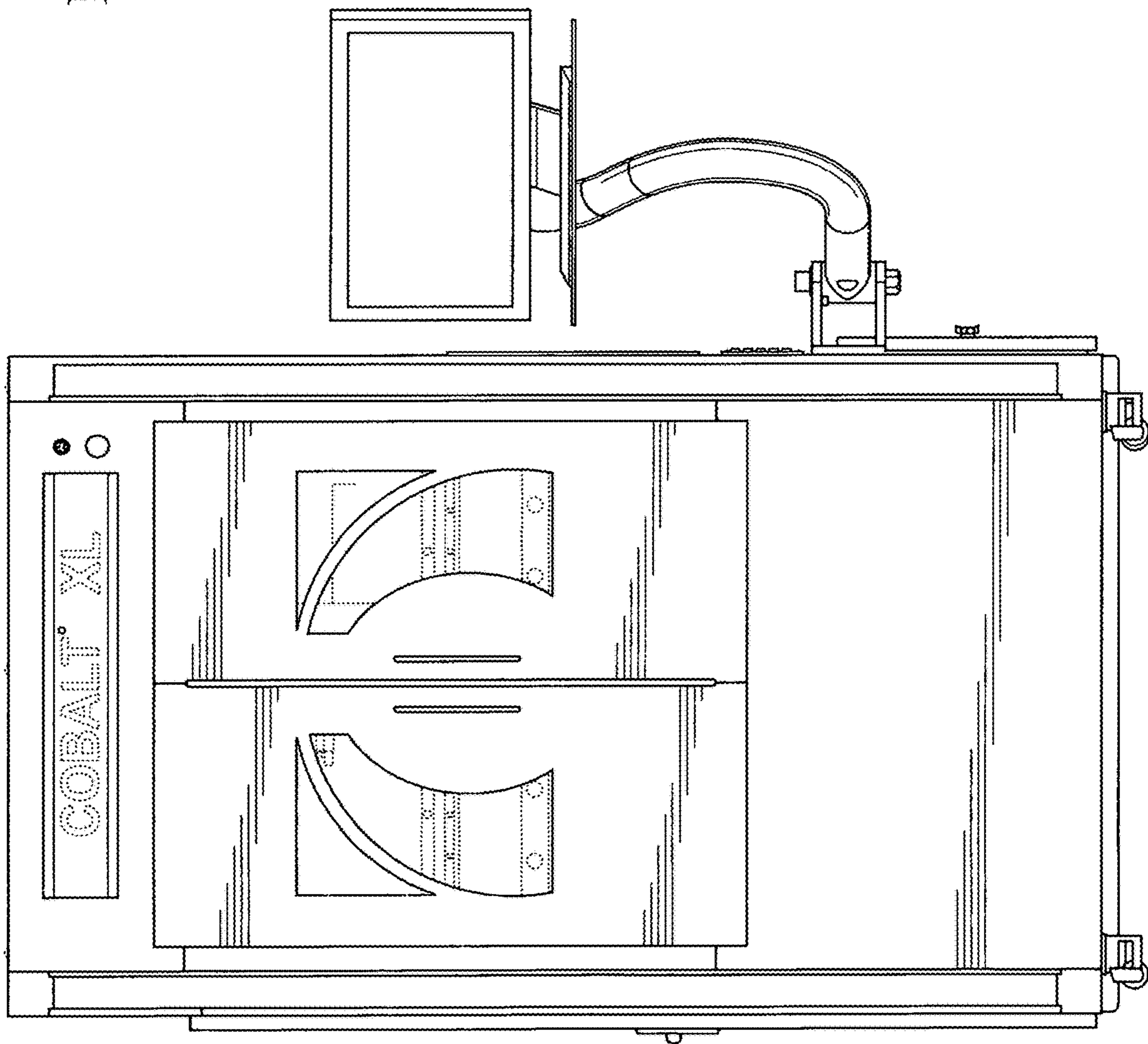


FIG. 1



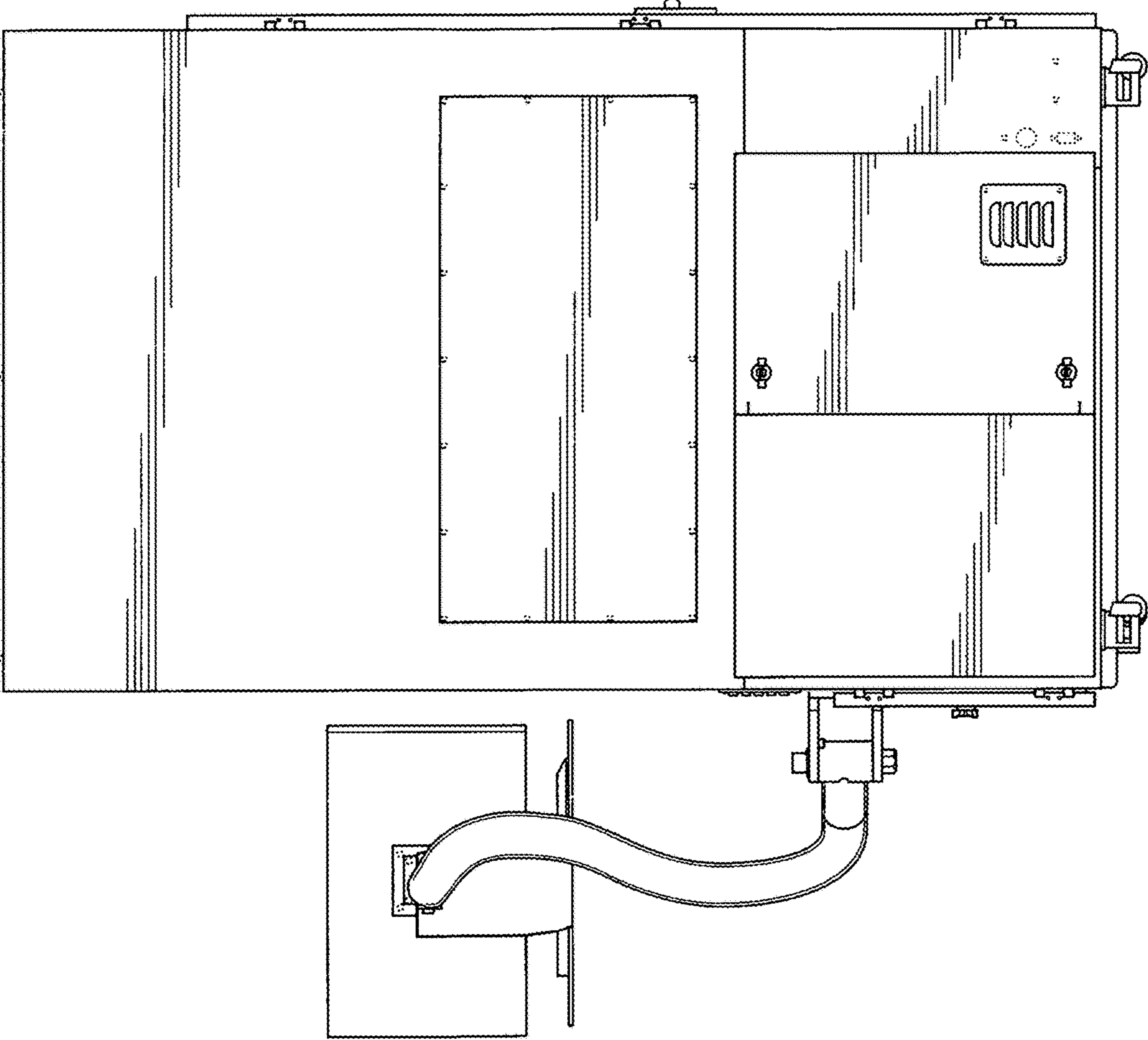


FIG. 2

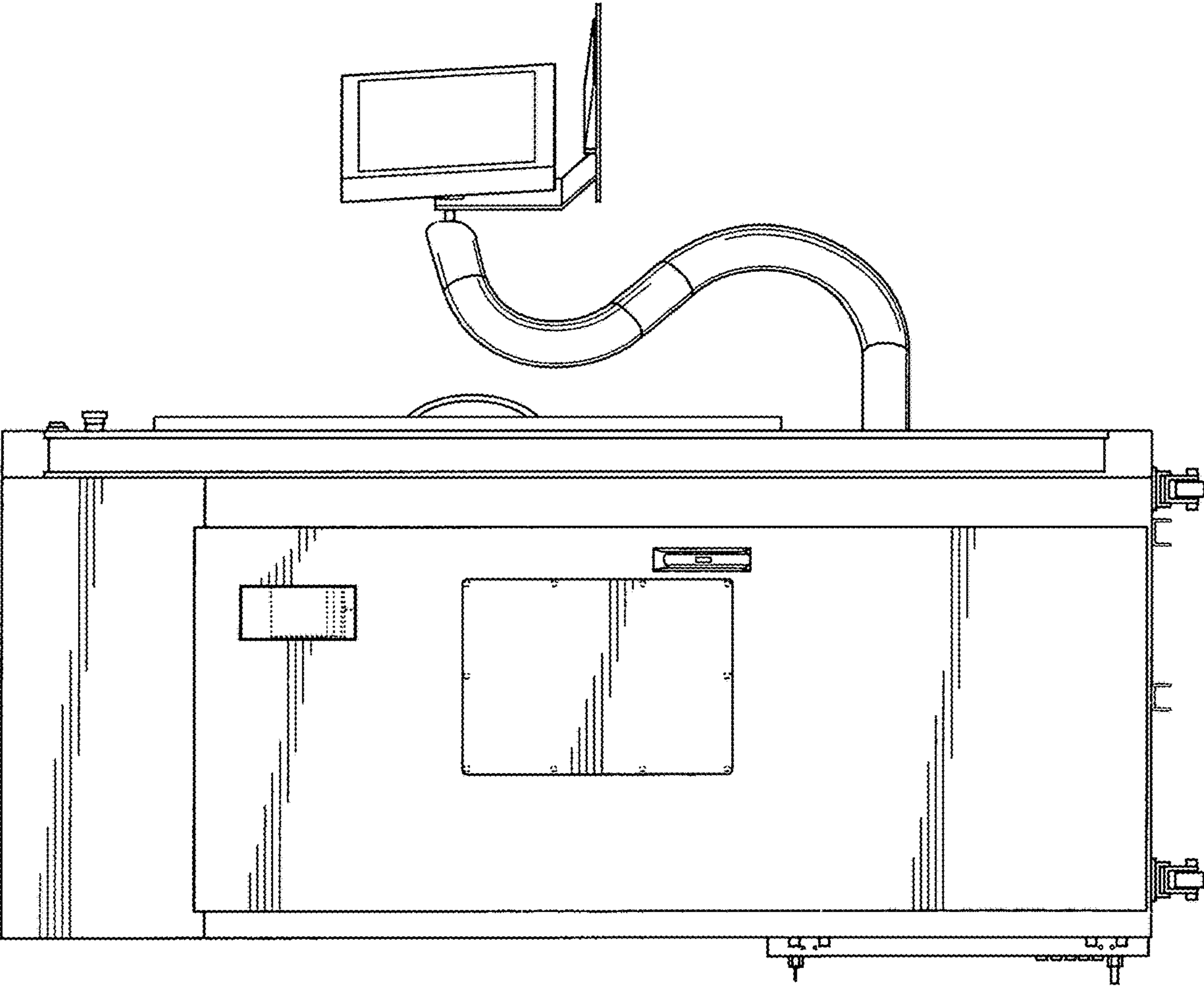


FIG. 3

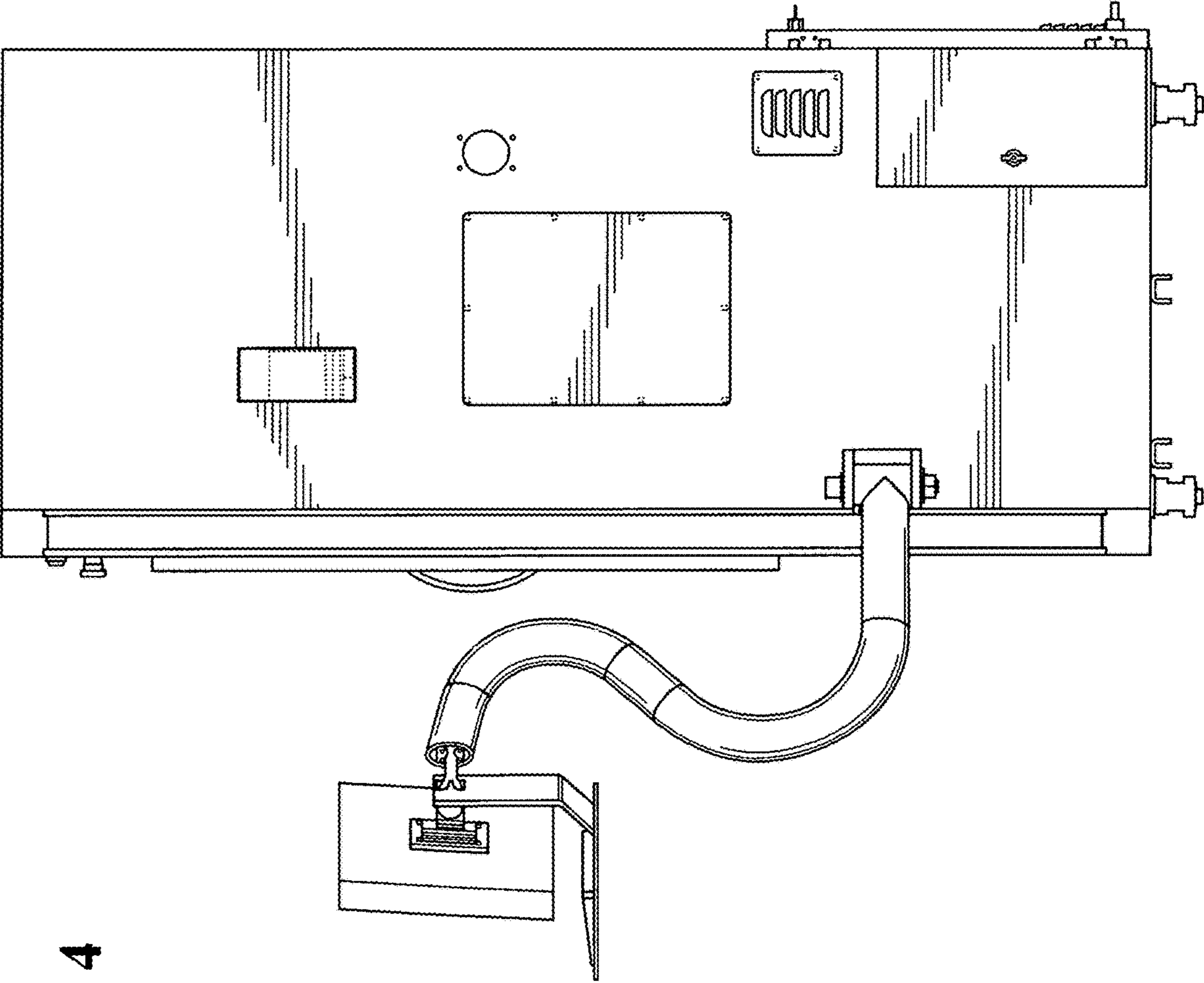


FIG. 4

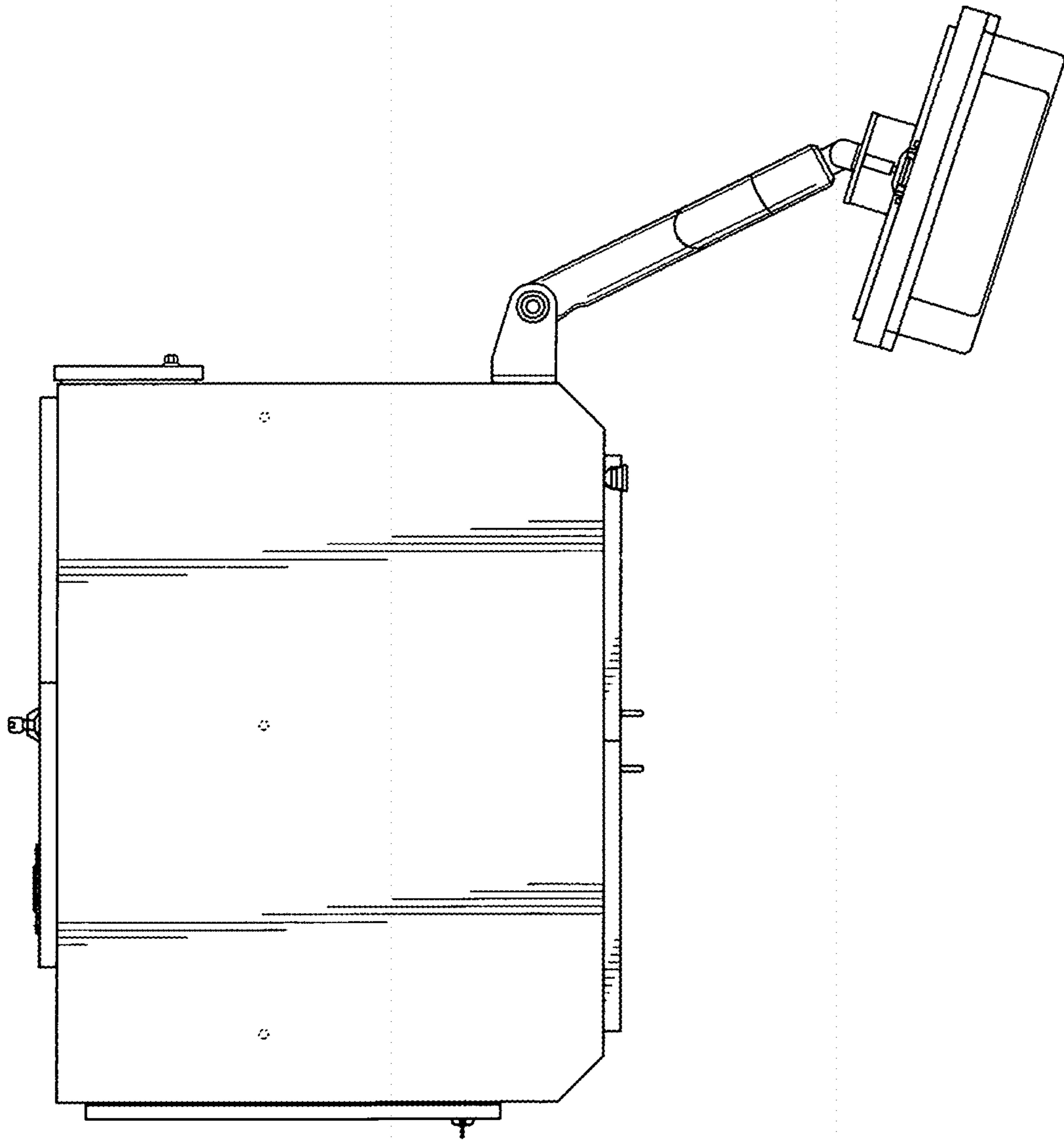


FIG. 5

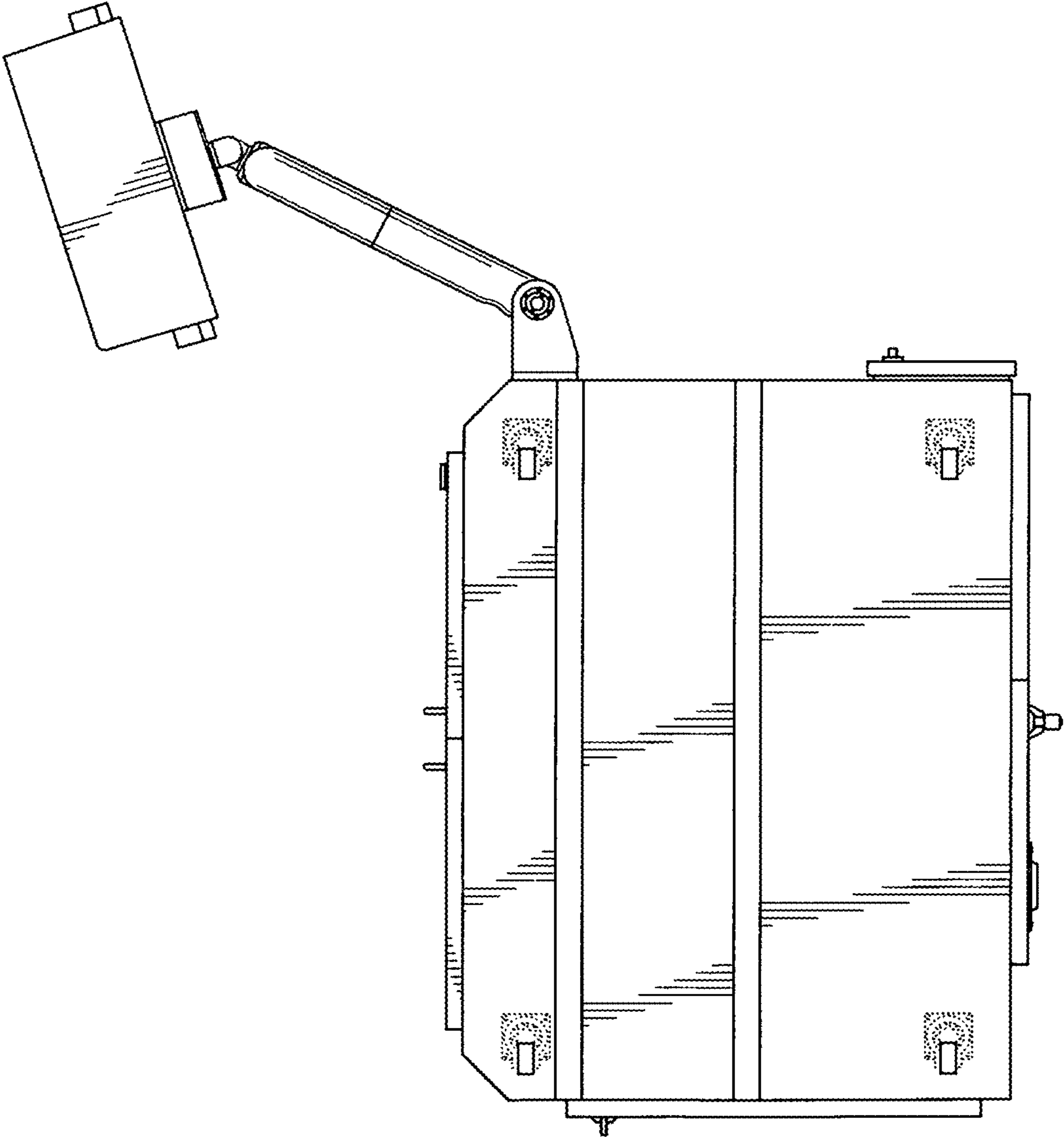


FIG. 6

FIG. 7

