



US00D872777S

(12) **United States Design Patent** (10) **Patent No.:** **US D872,777 S**  
**Rashid et al.** (45) **Date of Patent:** **\*\* Jan. 14, 2020**

(54) **PROCESSING MACHINE**

(71) Applicant: **BLIX LTD.**, Valletta (MT)

(72) Inventors: **Karim Rashid**, New York, NY (US);  
**Bart Ruijpers**, New York, NY (US);  
**Ben Avny**, New York, NY (US); **Louis Filosa**, New York, NY (US)

(73) Assignee: **BLIX LTD.**, Valletta (MT)

(\*\*) Term: **15 Years**

(21) Appl. No.: **29/624,319**

(22) Filed: **Oct. 31, 2017**

(51) **LOC (12) Cl.** ..... **15-09**

(52) **U.S. Cl.**  
USPC ..... **D15/122**

(58) **Field of Classification Search**  
USPC ..... D15/122, 127, 129, 130, 131  
CPC ..... B23Q 5/28; B65H 2220/02; G05B  
2219/41294; H02M 5/44  
See application file for complete search history.

(56) **References Cited**

**U.S. PATENT DOCUMENTS**

- 4,355,446 A \* 10/1982 Shimajiri ..... B23B 39/205  
29/26 A  
D313,975 S \* 1/1991 Horie ..... D14/308

- D315,335 S \* 3/1991 Frischer ..... D14/308  
D334,564 S \* 4/1993 Basara ..... D14/308  
D349,888 S \* 8/1994 Yamamoto ..... D13/163  
D352,910 S \* 11/1994 Yamamoto ..... D10/46  
D352,911 S \* 11/1994 Yamamoto ..... D10/46

\* cited by examiner

*Primary Examiner* — Patricia A Palasik

(74) *Attorney, Agent, or Firm* — Sughrue Mion, PLLC

(57) **CLAIM**

The ornamental design for a processing machine, as shown and described.

**DESCRIPTION**

FIG. 1 is a right side elevational view of a processing machine showing my new design;  
 FIG. 2 is a left side elevational view thereof;  
 FIG. 3 is a front elevational view thereof;  
 FIG. 4 is a rear elevational view thereof;  
 FIG. 5 is a top plan view thereof;  
 FIG. 6 is a bottom plan view; and,  
 FIG. 7 is a perspective view of the processing machine.  
 The broken lines in the drawings depict portions of the processing machine that form no part of the claimed design.

**1 Claim, 6 Drawing Sheets**

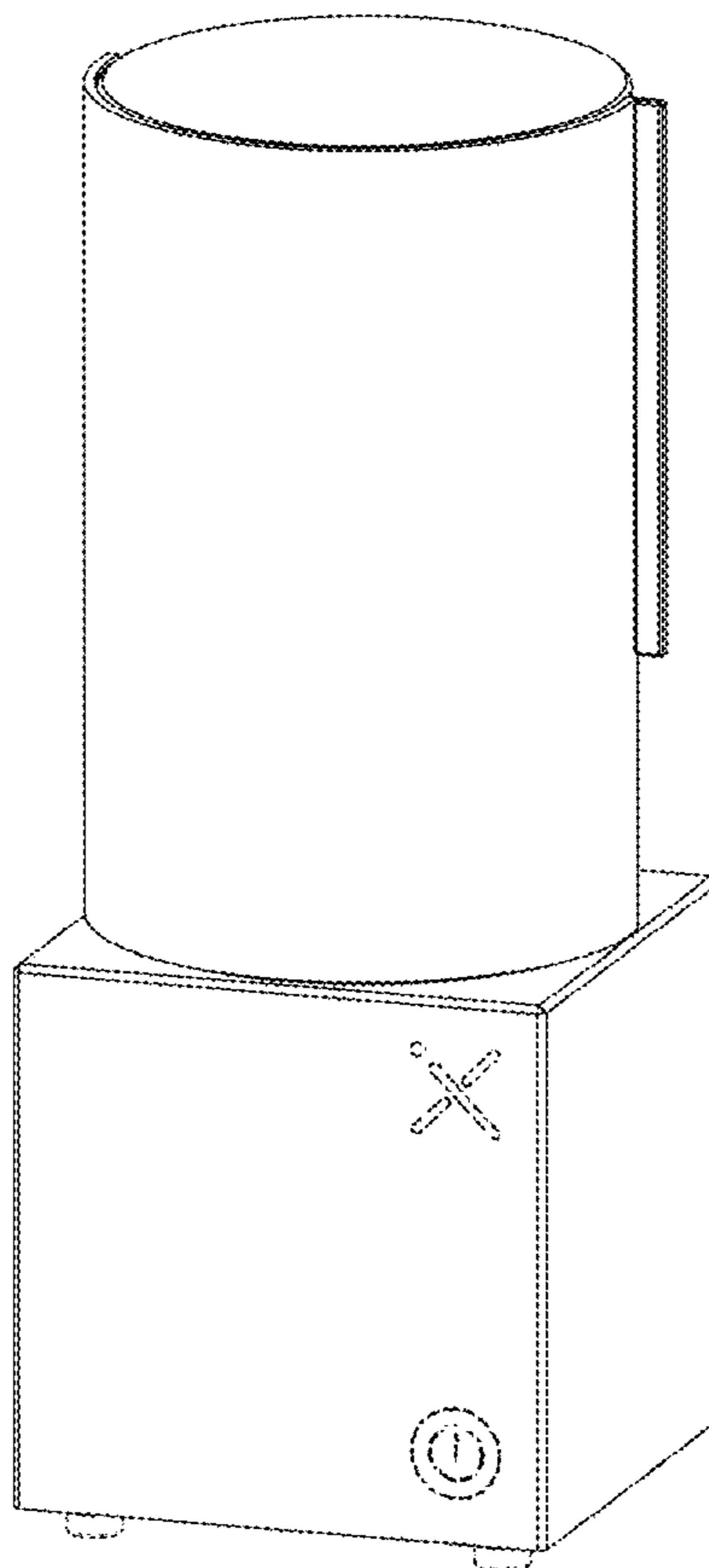


FIG. 1

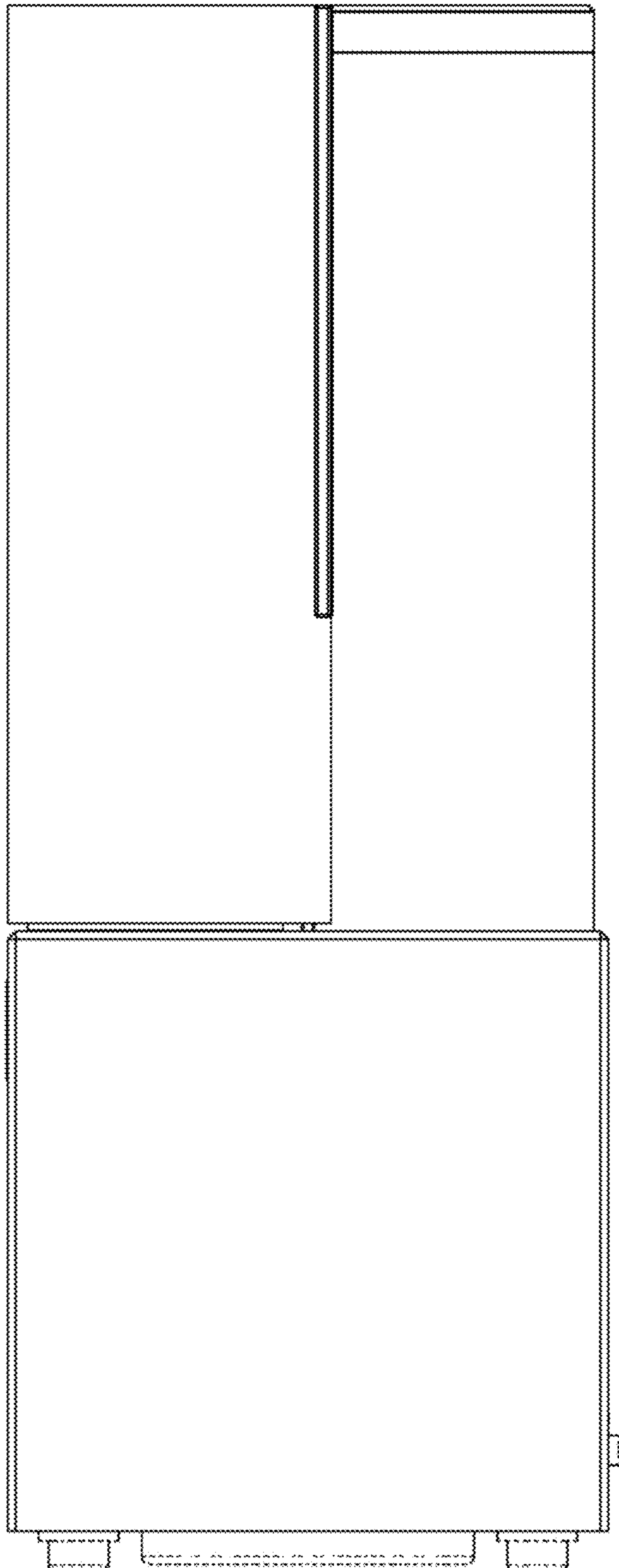


FIG. 2

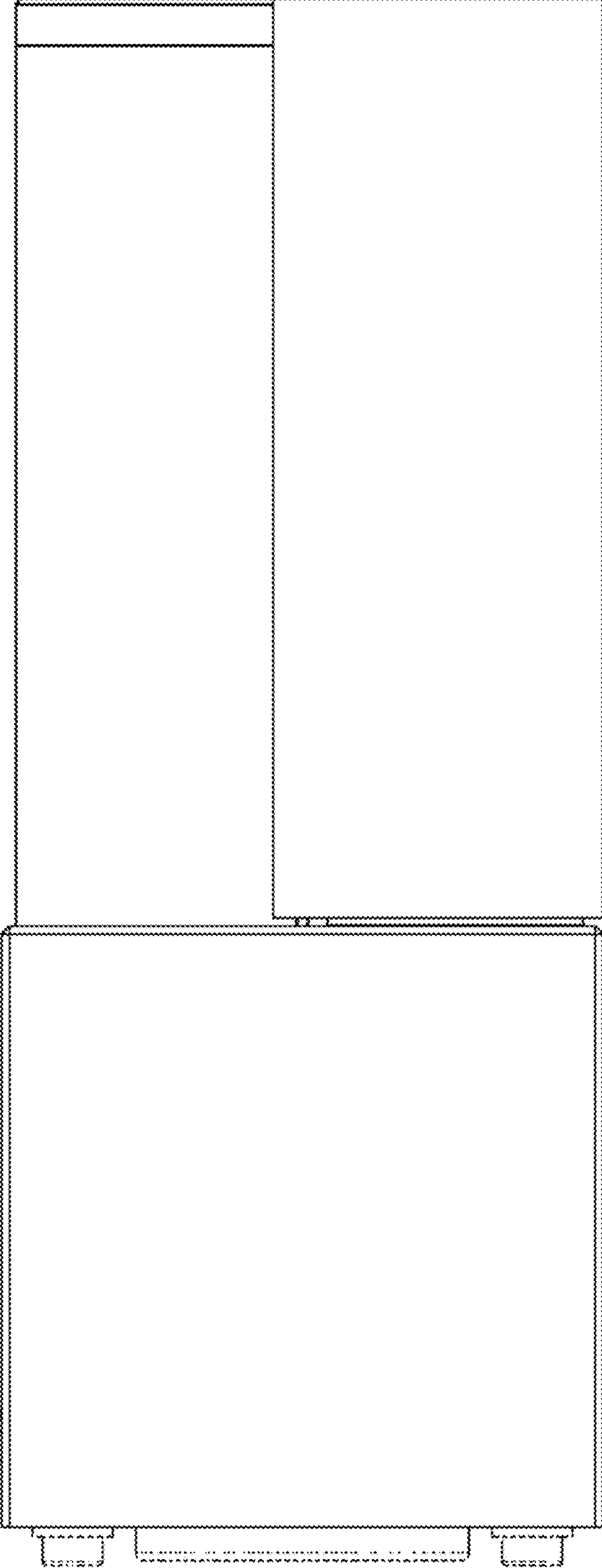


FIG. 3

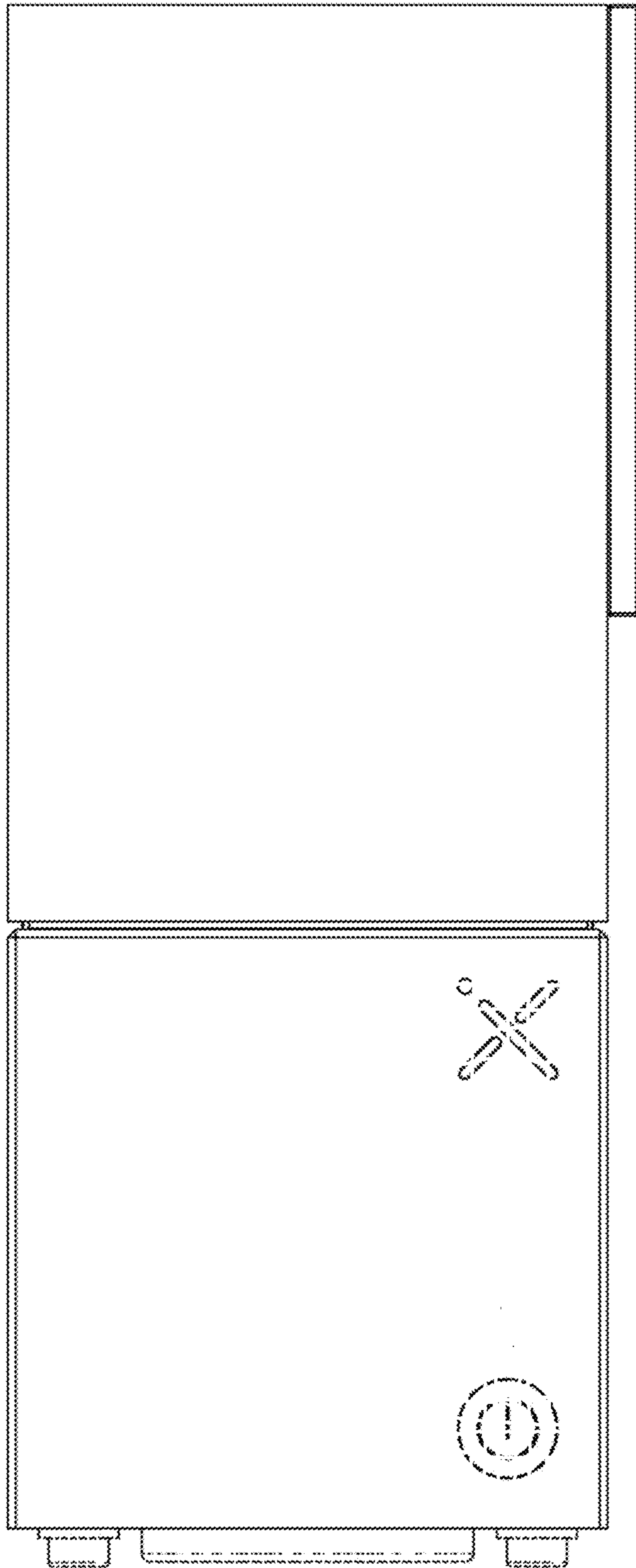


FIG. 4

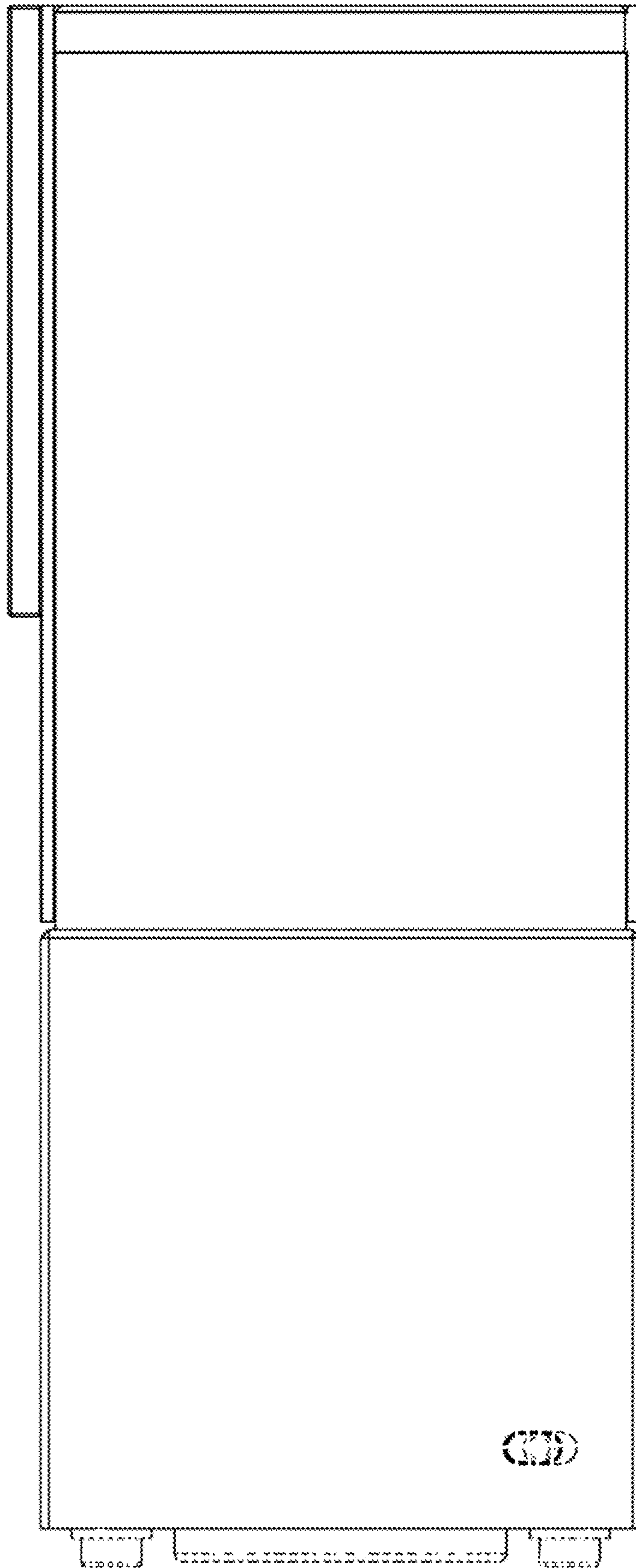


FIG. 5

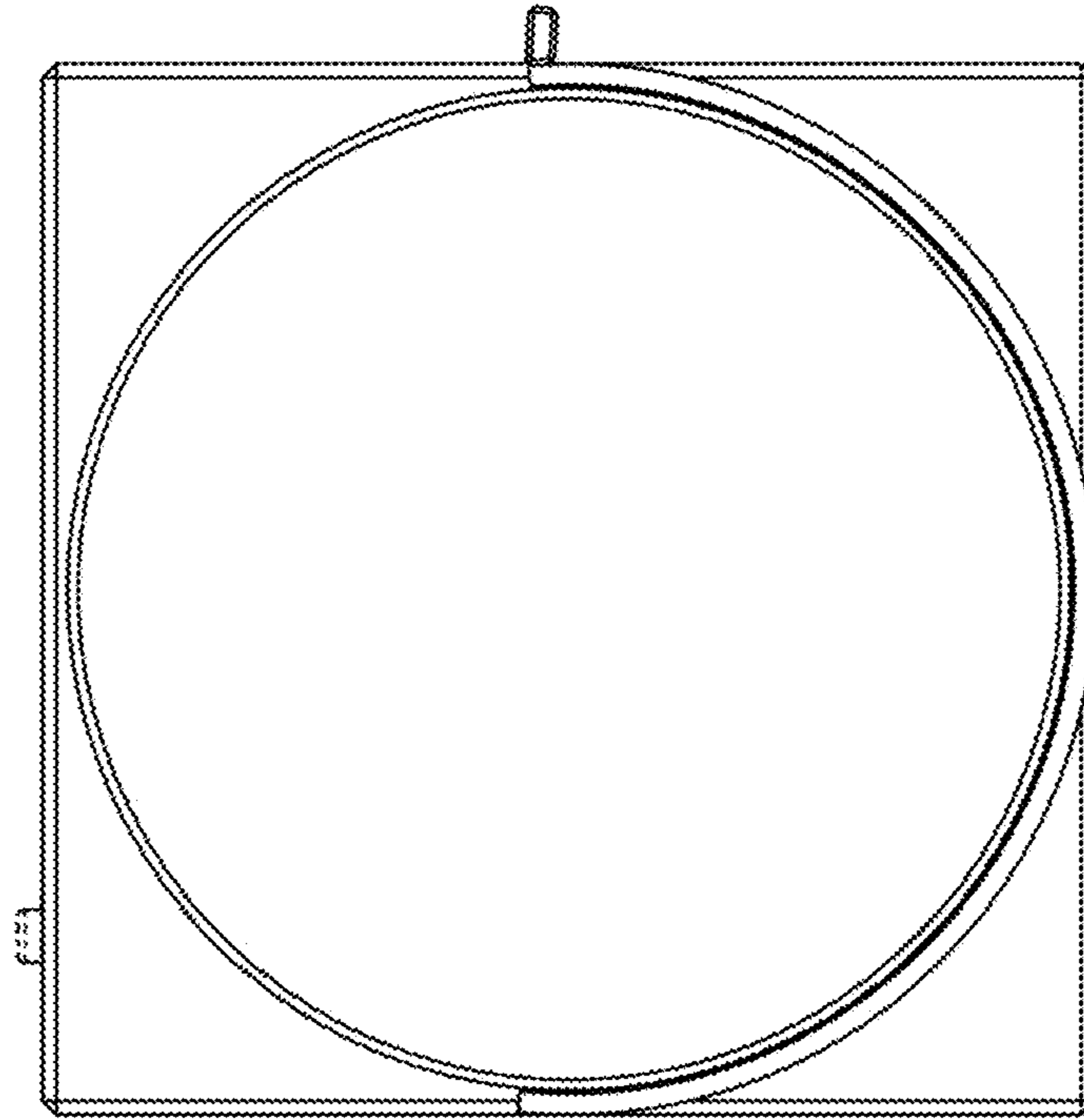


FIG. 6

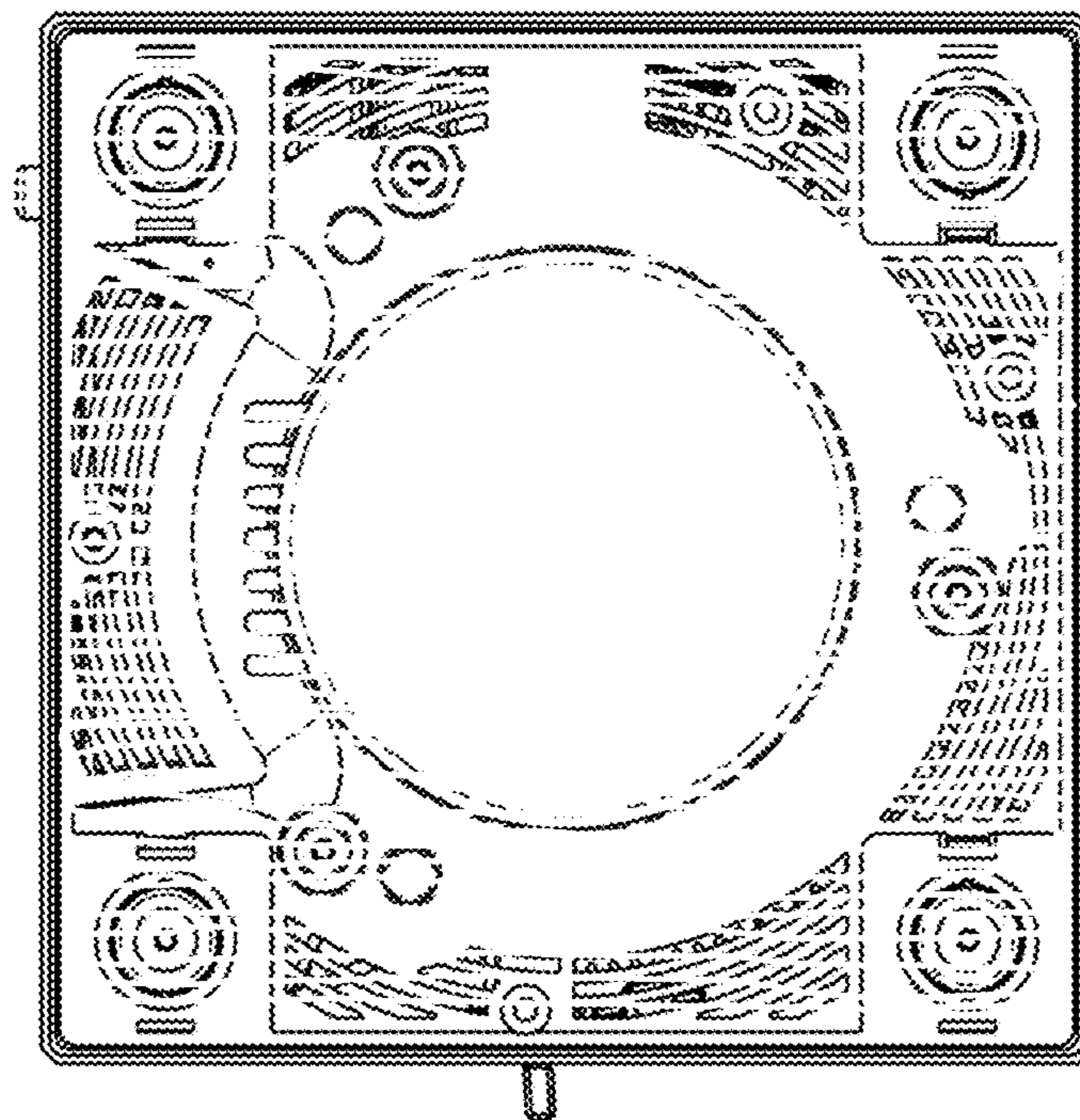


FIG. 7

