



US00D872775S

(12) **United States Design Patent**
Becke et al.

(10) **Patent No.:** **US D872,775 S**
(45) **Date of Patent:** **** Jan. 14, 2020**

(54) **CONTROL KNOB WITH DYNAMIC DISPLAY SCREEN FOR ADJUSTING A VENTILATION SYSTEM IN A REFRIGERATOR**

Primary Examiner — Khawaja Anwar
(74) *Attorney, Agent, or Firm* — Laurence A. Greenberg; Werner H. Stemer; Ralph E. Locher

(71) Applicant: **BSH HAUSGERAETE GMBH**,
Munich (DE)

(72) Inventors: **Christoph Becke**, Grosskarolinenfeld (DE); **Max Eicher**, Munich (DE); **Christine Rieder**, Munich (DE)

(73) Assignee: **BSH Hausgeraete GmbH**, Munich (DE)

(**) Term: **15 Years**

(21) Appl. No.: **29/657,251**

(22) Filed: **Jul. 20, 2018**

Related U.S. Application Data

(63) Continuation-in-part of application No. 29/560,292, filed on Apr. 5, 2016, now abandoned.

(51) **LOC (12) Cl.** **15-07**

(52) **U.S. Cl.**
USPC **D15/89**

(58) **Field of Classification Search**

USPC D15/79-91; D8/310; D23/250;
D14/217; D13/123, 177
CPC F25C 1/00; F25C 1/10; F25C 2305/022;
F25C 2400/10; F25C 2700/06; F25C
5/005; F25C 5/02; F25C 5/06; F25D
11/003; G05G 2009/04766; G05G 5/00;
G05G 9/047

See application file for complete search history.

(56) **References Cited**

U.S. PATENT DOCUMENTS

D506,693 S * 6/2005 Kaczmarek D10/104.1
D612,364 S * 3/2010 Kwolek D14/215
D733,603 S * 7/2015 Graf D10/128
D736,449 S * 8/2015 Getty D26/110

(Continued)

(57) **CLAIM**

The ornamental design for a control knob with dynamic display screen for adjusting a ventilation system in a refrigerator, as shown and described.

DESCRIPTION

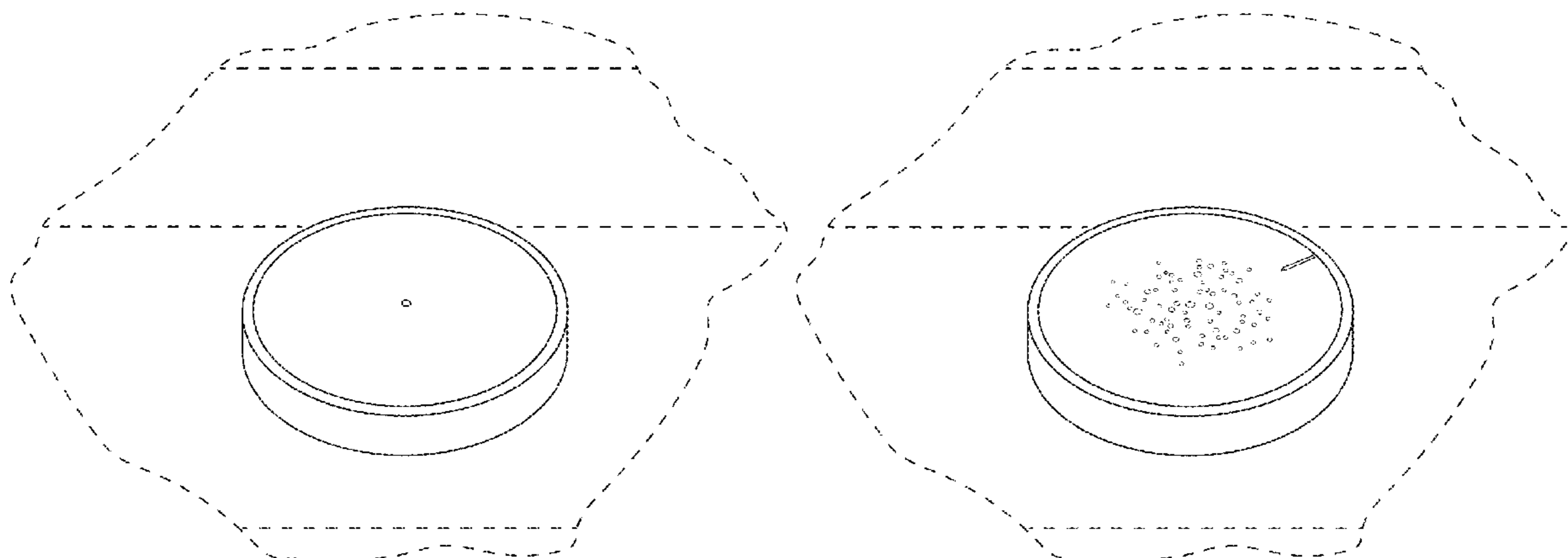
FIG. 1 is a perspective view of the control knob with dynamic display screen for adjusting a ventilation system in a refrigerator in a closed position showing my new design; FIG. 2 is a perspective view showing the control knob in a minimally opened position showing that the ventilation system has been activated thereof;

FIG. 3 is a perspective view in a more opened position thereof with a plurality of illuminated spots indicating that the ventilation system has been opened to a certain extent; FIG. 4 is a perspective view illustrating a fully open position of the ventilation system with a multiplicity of illuminated spots on the display indicating the fully opened position thereof;

FIG. 5 is a side elevation view thereof, wherein the control knob is rotationally symmetrical and the side elevation view is identical from all sides; and,

FIG. 6 is a perspective view in a fully opened position thereof, corresponding to the position illustrated in FIG. 4. The dashed broken line represents the environmental structure of a refrigerator and forms no part of the claimed design. The main central area on the top of the control knob is a dynamic display screen with a dynamic display which displays a ventilation setting based on rotational position of the control knob.

1 Claim, 5 Drawing Sheets



(56)

References Cited

U.S. PATENT DOCUMENTS

D750,980 S *	3/2016	Takach	D10/50
D766,844 S *	9/2016	Turksu	D10/104.1
D777,367 S *	1/2017	Ma	D26/104
D779,977 S *	2/2017	Jacob	D10/50
D782,727 S *	3/2017	Weiss	D26/110
D783,422 S *	4/2017	Kashimoto	D10/50
D793,808 S *	8/2017	Weaden	D7/378

* cited by examiner

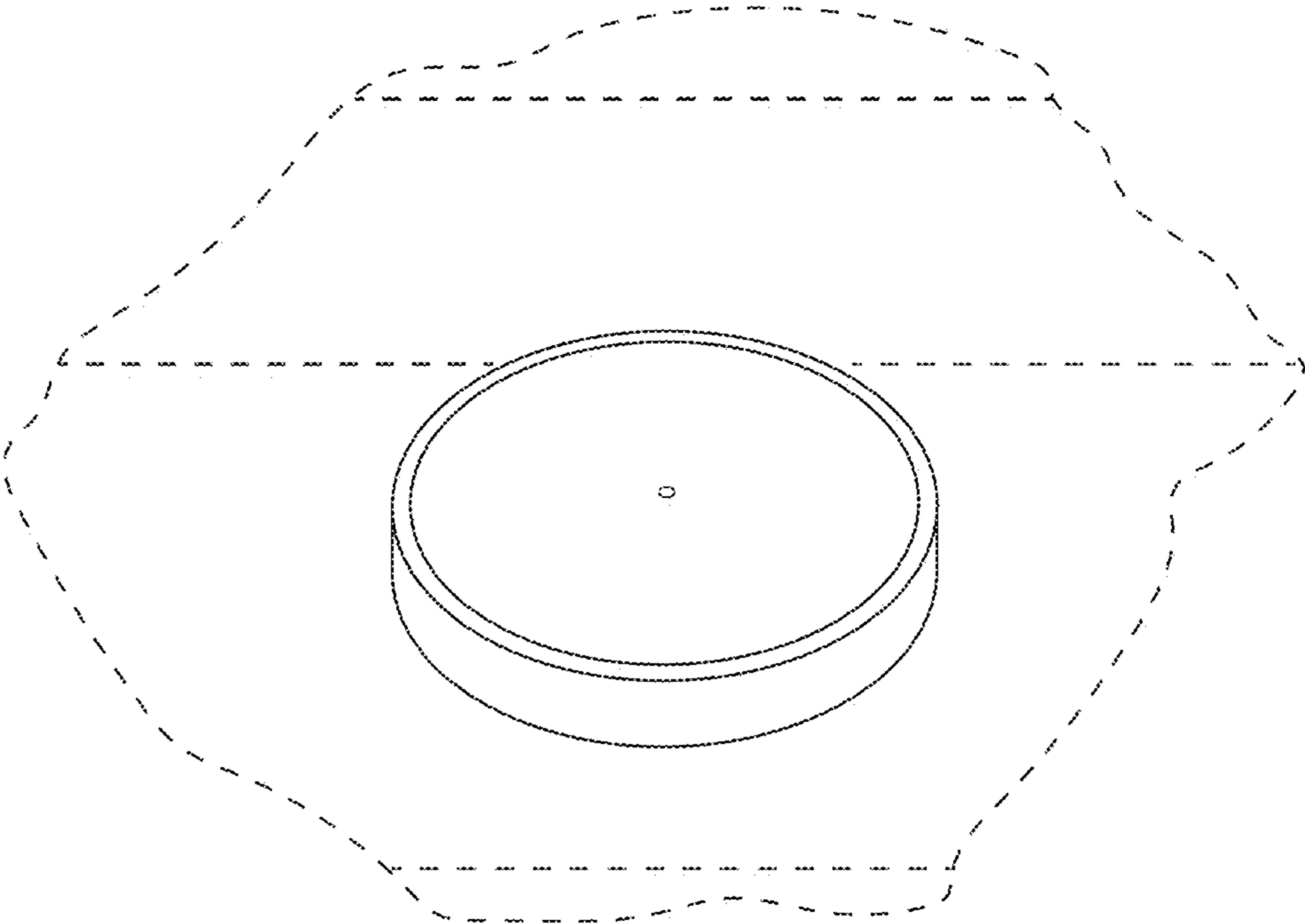


FIG. 1

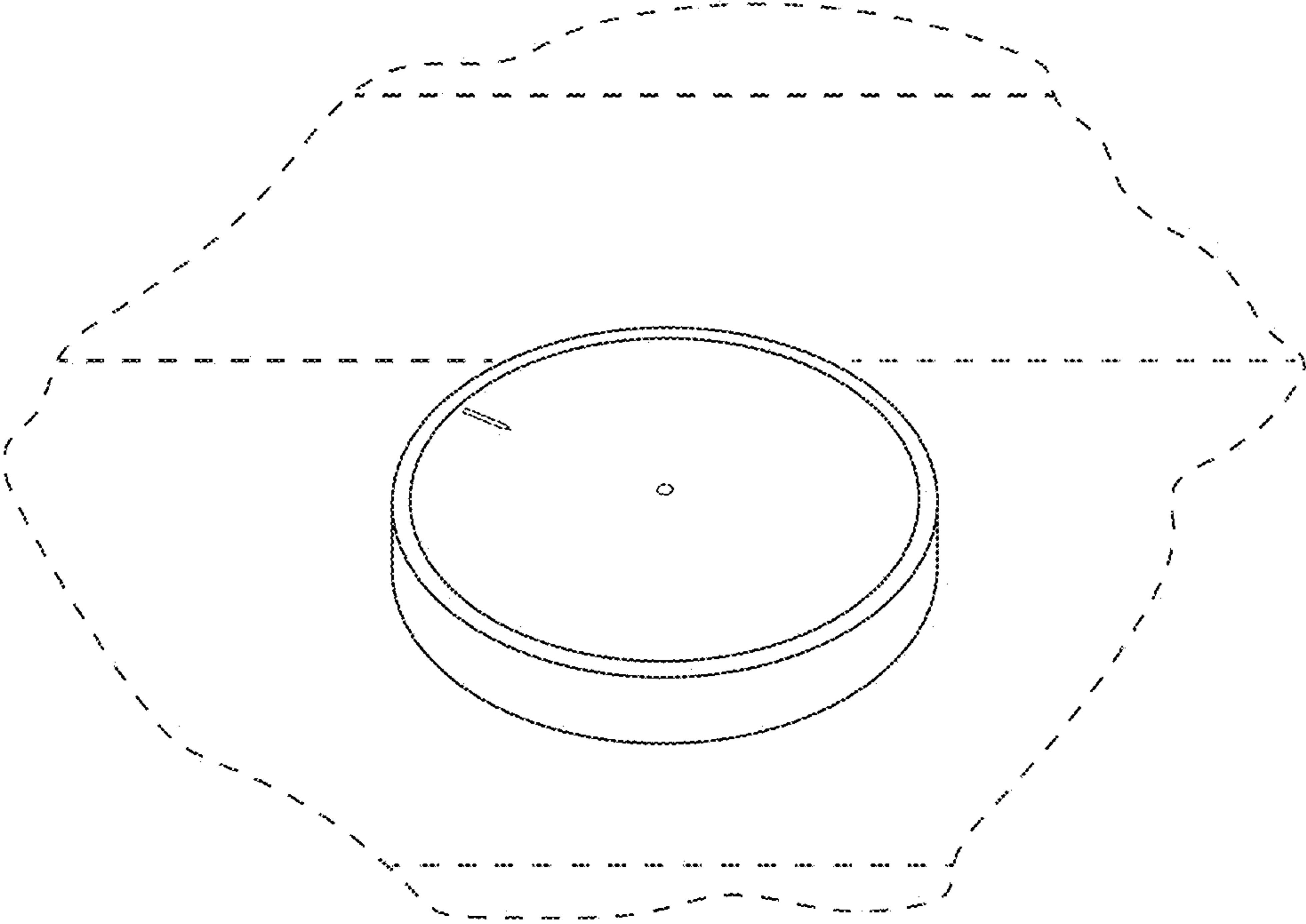


FIG. 2

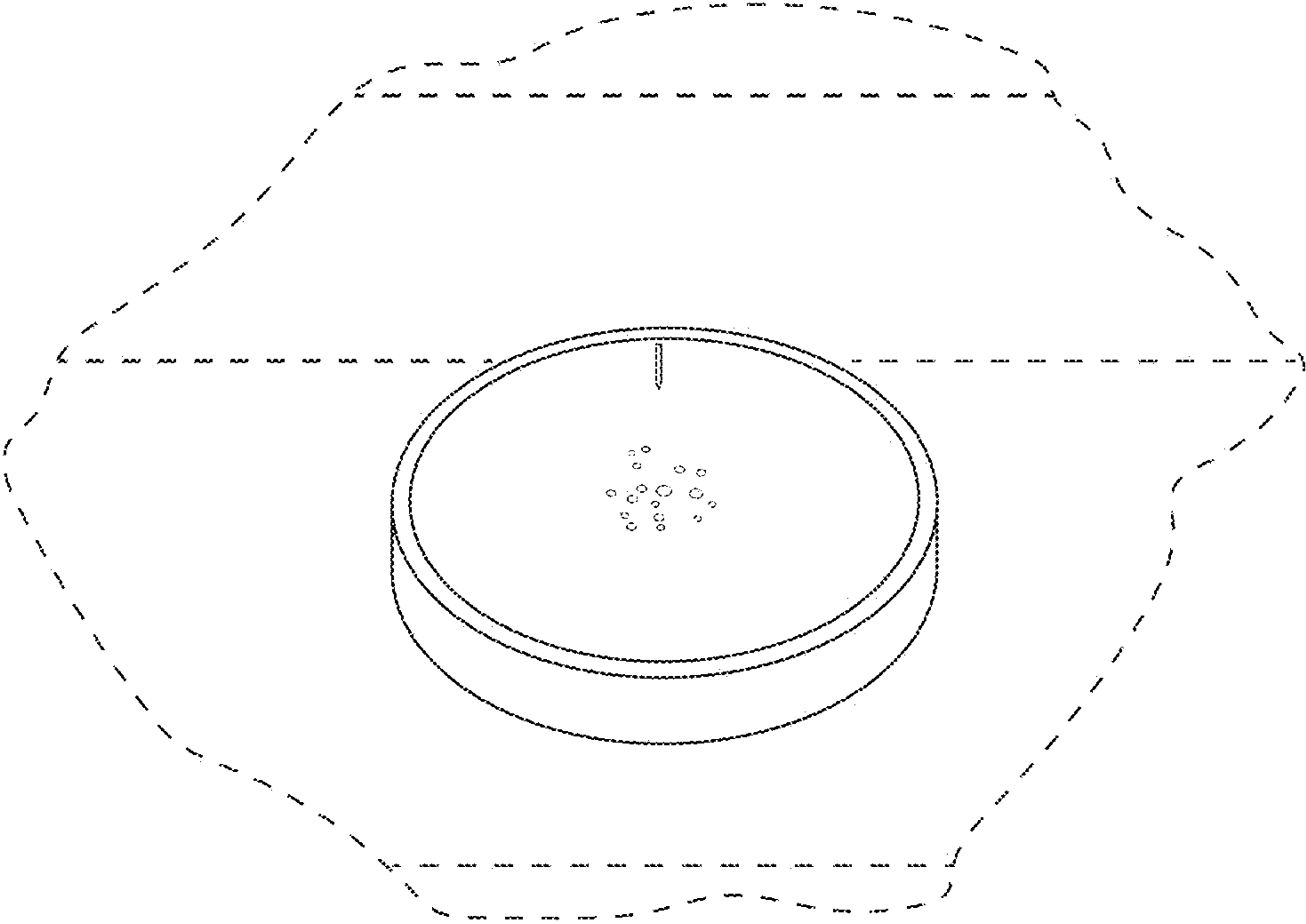


FIG. 3

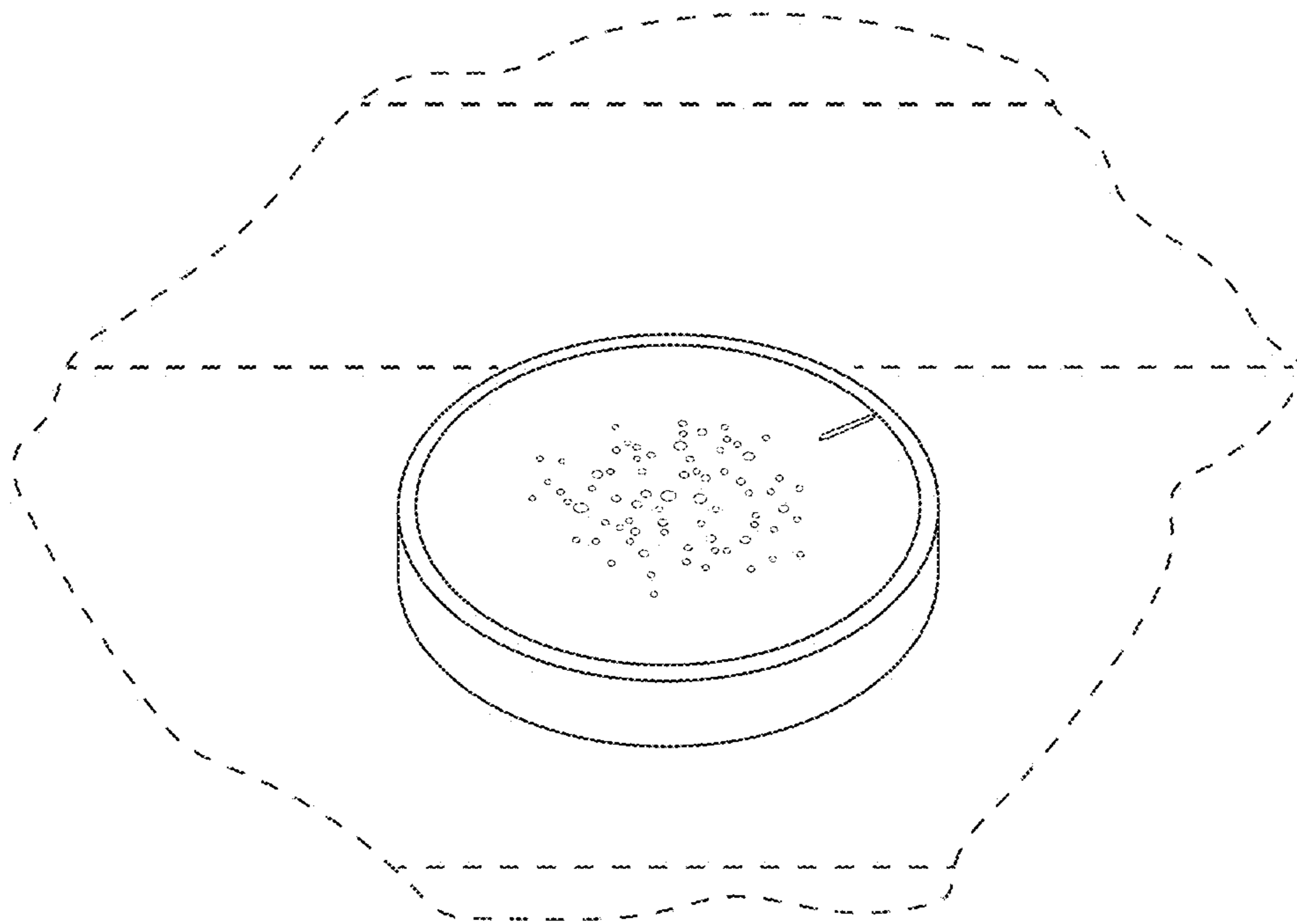


FIG. 4



FIG. 5

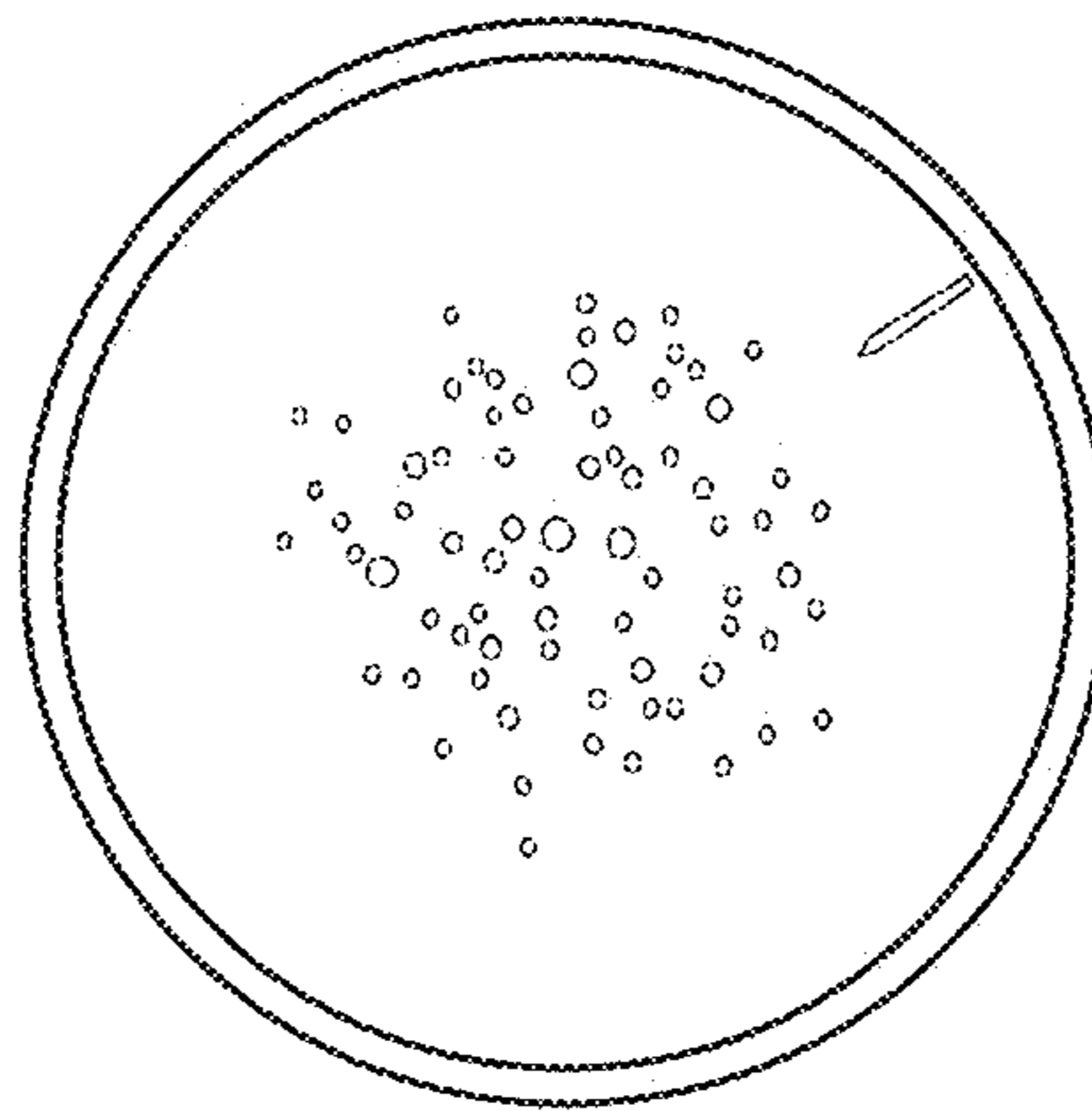


FIG. 6