



US00D872772S

(12) **United States Design Patent** (10) **Patent No.:** **US D872,772 S**
Khaire et al. (45) **Date of Patent:** **** Jan. 14, 2020**

(54) **RECIPROCATING GAS COMPRESSOR VALVE**

(71) Applicant: **Delaware Capital Formation, Inc.**,
Wilmington, DE (US)

(72) Inventors: **Swapnil S. Khaire**, Knoxville, TN
(US); **Stephen A. Mish**, Wellington, FL
(US)

(73) Assignee: **Delaware Capital Formation, Inc.**,
Wilmington, DE (US)

(**) Term: **15 Years**

(21) Appl. No.: **29/674,024**

(22) Filed: **Dec. 19, 2018**

Related U.S. Application Data

(63) Continuation of application No. 29/543,534, filed on
Oct. 26, 2015, now Pat. No. Des. 841,055.

(51) **LOC (12) Cl.** **15-02**

(52) **U.S. Cl.**
USPC **D15/9**

(58) **Field of Classification Search**
USPC D23/233-250; 123/90.15, 188.5, 190.14,
123/196 M, 445, 200, 90.17, 193.4;
(Continued)

(56) **References Cited**

U.S. PATENT DOCUMENTS

3,148,697 A * 9/1964 Carr F04B 39/1006
137/327
3,536,094 A * 10/1970 Manley, Jr. F04B 39/1033
137/512.1

(Continued)

Primary Examiner — Gino Colan

(74) *Attorney, Agent, or Firm* — Nielsen IP Law LLC

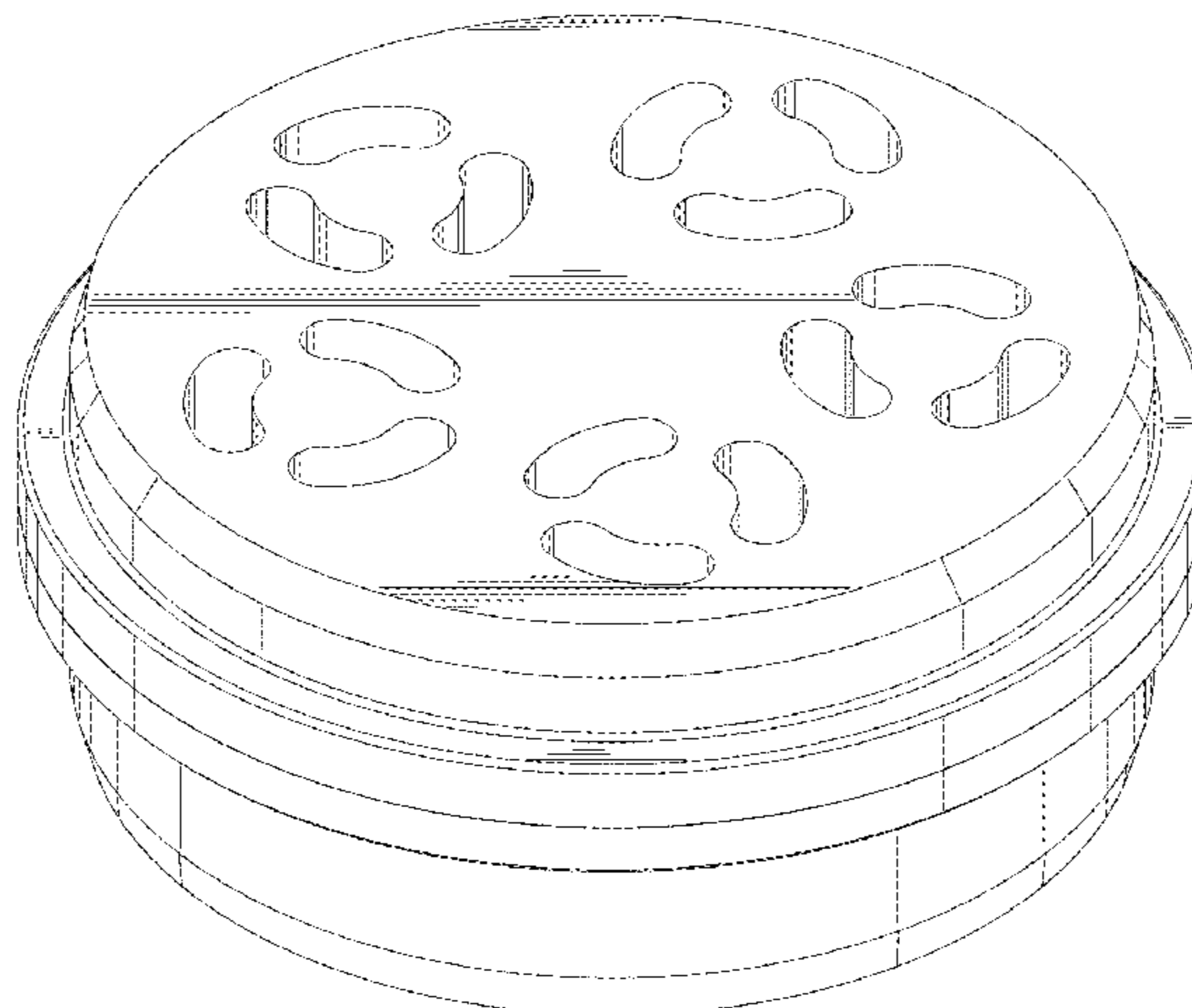
(57) **CLAIM**

The ornamental design for a reciprocating gas compressor valve, as shown and described.

DESCRIPTION

FIG. 1 is an overall perspective view of a reciprocating gas compressor valve showing our new design;
FIG. 2 is an overall exploded perspective view thereof;
FIG. 3 is an overall top view thereof;
FIG. 4 is an overall side elevational view thereof;
FIG. 5 is an overall bottom view thereof;
FIG. 6 is a cross-sectional view of the reciprocating gas compressor valve of FIG. 3;
FIG. 7 is a top view of the seat of the reciprocating gas compressor valve of FIG. 1;
FIG. 8 is a side elevational view of the seat thereof;
FIG. 9 is a bottom view of the seat thereof;
FIG. 10 is a perspective view of the cartridge of the reciprocating gas compressor valve of FIG. 1;
FIG. 11 is a bottom perspective view of the cartridge thereof;
FIG. 12 is a top view of the cartridge thereof;
FIG. 13 is a bottom view of the cartridge thereof;
FIG. 14 is a side view of the cartridge thereof;
FIG. 15 is a top view of the sealing element that can be used in the reciprocating gas compressor valve of FIG. 1;
FIG. 16 is a side view of the embodiment of the sealing element thereof;
FIG. 17 is a bottom view of the embodiment of the sealing element thereof;
FIG. 18 is a perspective view of the cartridge of the reciprocating gas compressor valve of FIG. 1 showing the sealing element;
FIG. 19 is a bottom perspective view thereof;
FIG. 20 is a top view thereof;
FIG. 21 is a bottom view thereof;
FIG. 22 is a side view thereof;
FIG. 23 is an overall top view of the guard of the reciprocating gas compressor valve of FIG. 1;
FIG. 24 is a side elevational view of the guard thereof; and,
FIG. 25 is a bottom view of the guard thereof.
The broken lines shown in the figures are for the purpose of illustrating environment which form no part of the claimed design.

1 Claim, 12 Drawing Sheets



(58) **Field of Classification Search**

USPC 417/273, 411, 564; 29/888.012, 890.124,
29/890.126; 92/187, 208; 137/512.1,
137/516.11, 327, 329.04, 516.23; D15/5,
D15/9, 9.1, 9.2, 9.3

CPC F04B 39/1033; F04B 39/1053

See application file for complete search history.

(56) **References Cited**

U.S. PATENT DOCUMENTS

4,130,131 A * 12/1978 Kucenty F04B 39/106
137/512.1
4,483,363 A * 11/1984 Madoche F04B 39/1033
137/329.04
5,678,603 A * 10/1997 Tschop F04B 39/1033
137/512.1
9,309,878 B2 * 4/2016 Columpsi F16K 15/026
D816,122 S * 4/2018 Mish D15/9
D816,719 S * 5/2018 Mish D15/9
D824,426 S * 7/2018 Mish D15/9
D841,055 S * 2/2019 Khaire D15/9
2001/0029981 A1 * 10/2001 Penza F04B 39/1033
137/516.23
2002/0144733 A1 * 10/2002 Artner F04B 39/1053
137/512.1

* cited by examiner

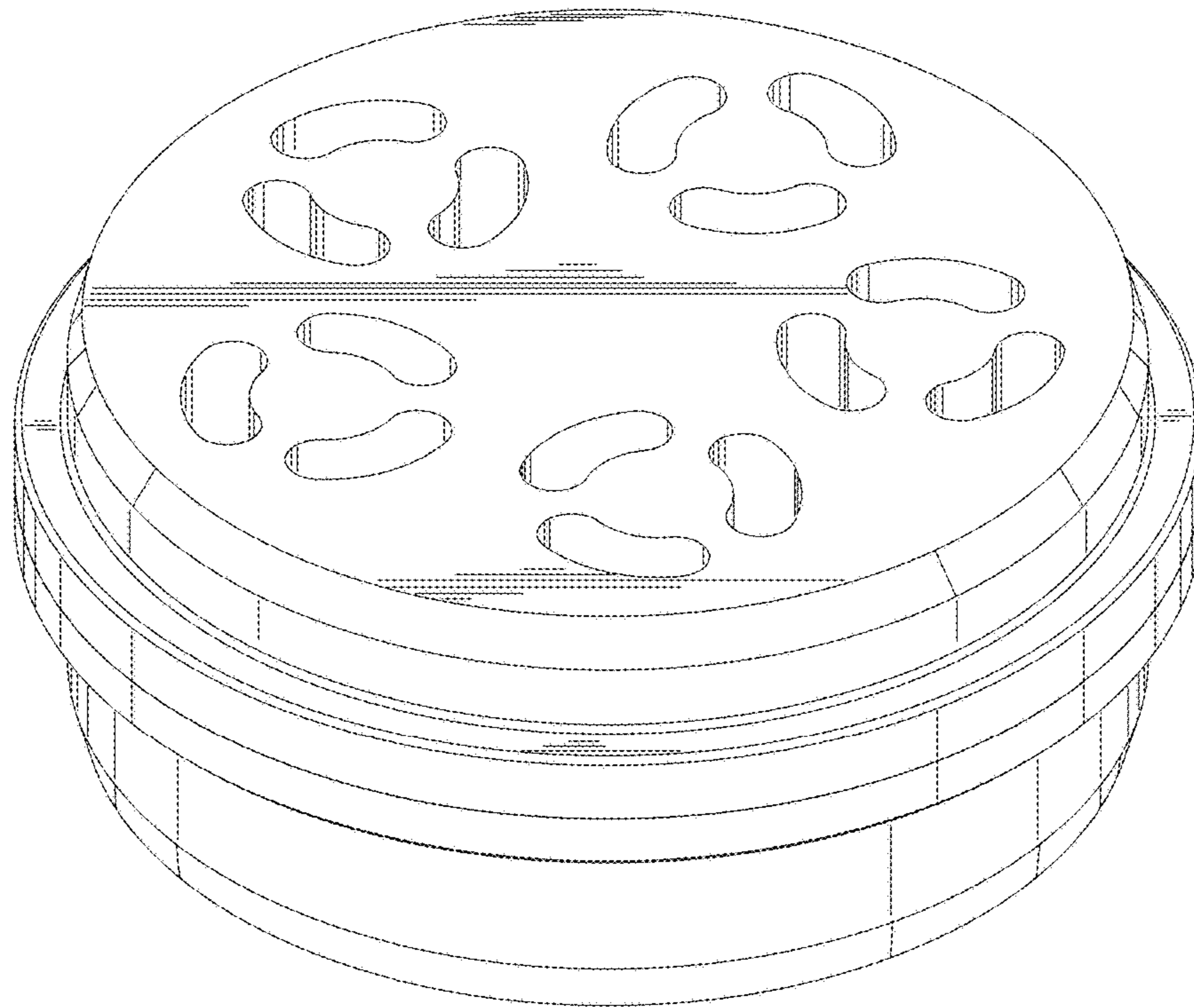


FIG.1

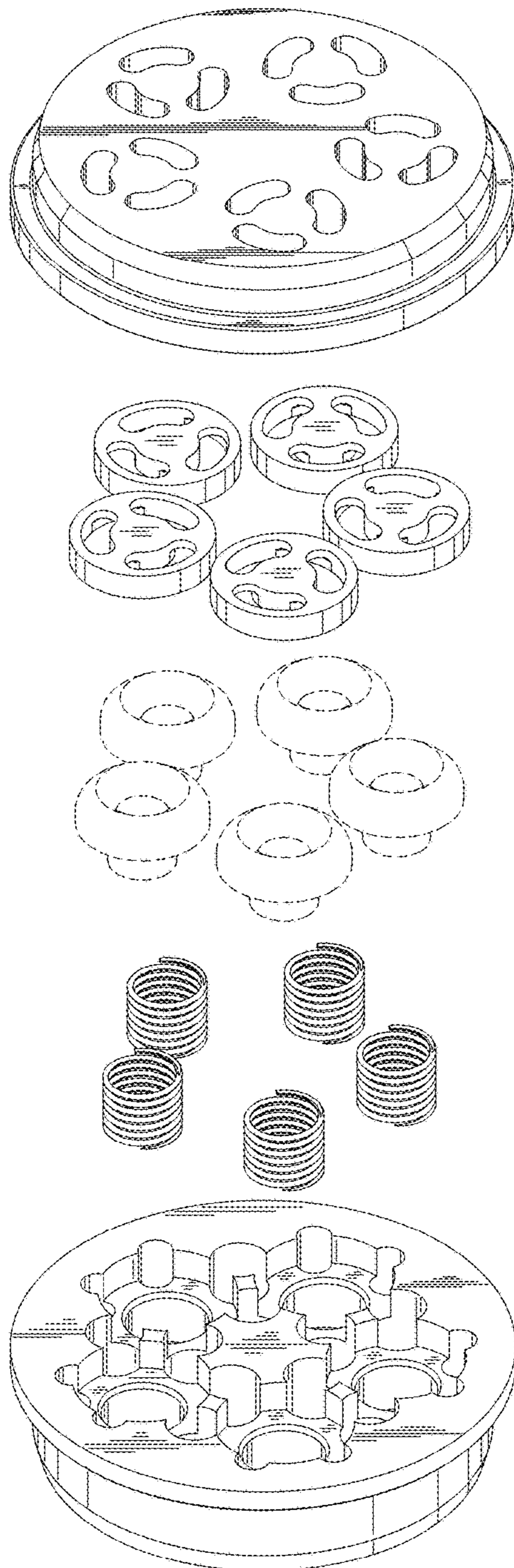


FIG.2

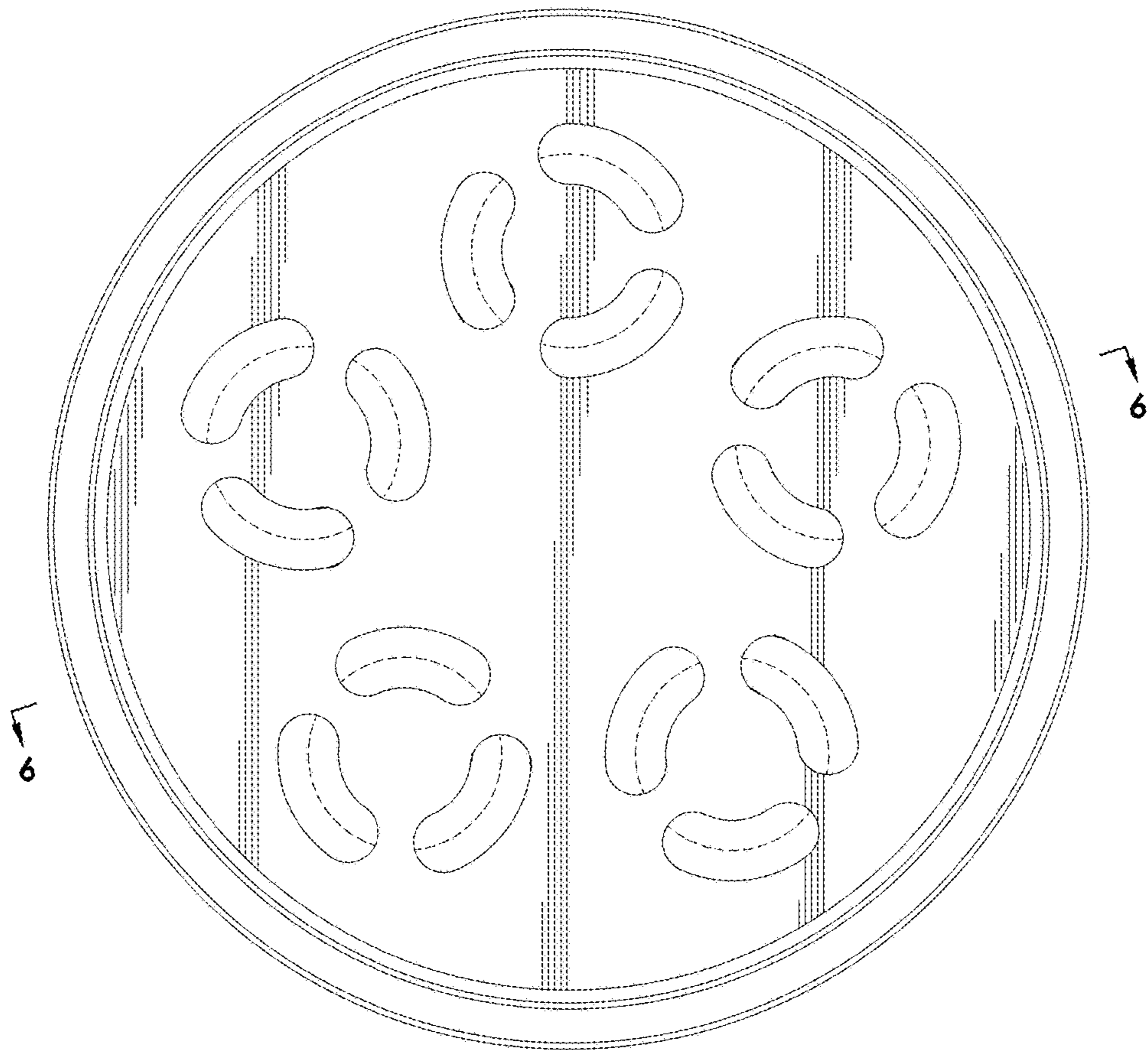


FIG. 3

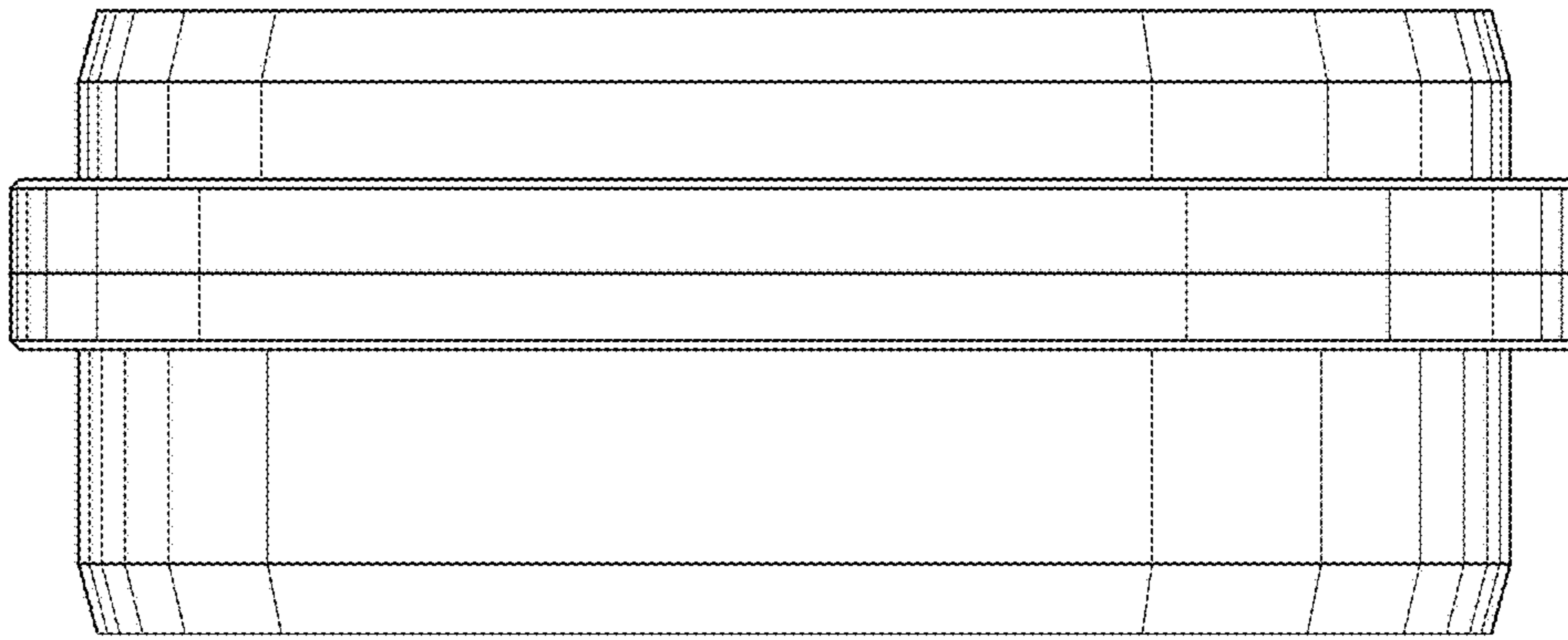


FIG. 4

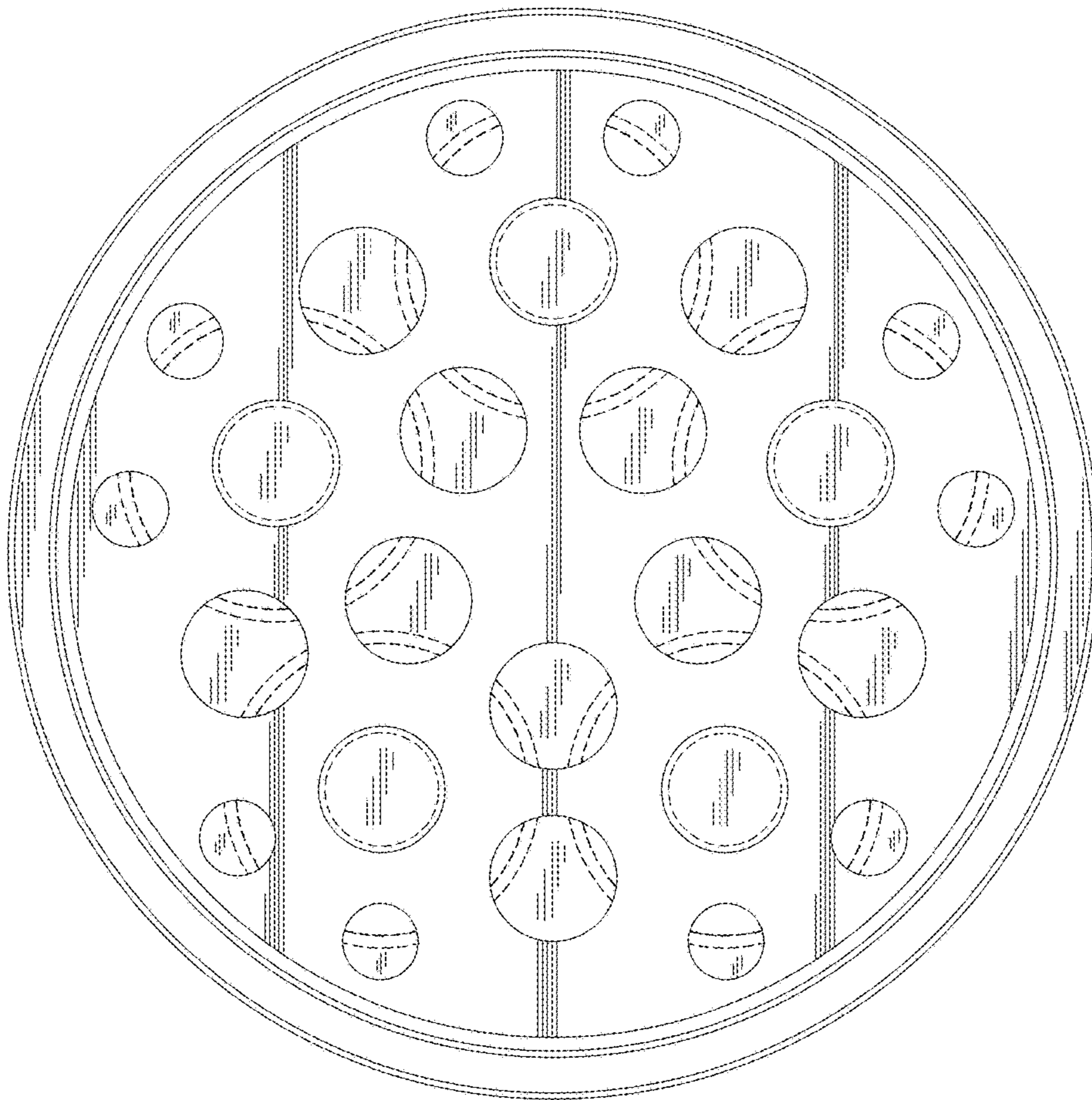


FIG. 5

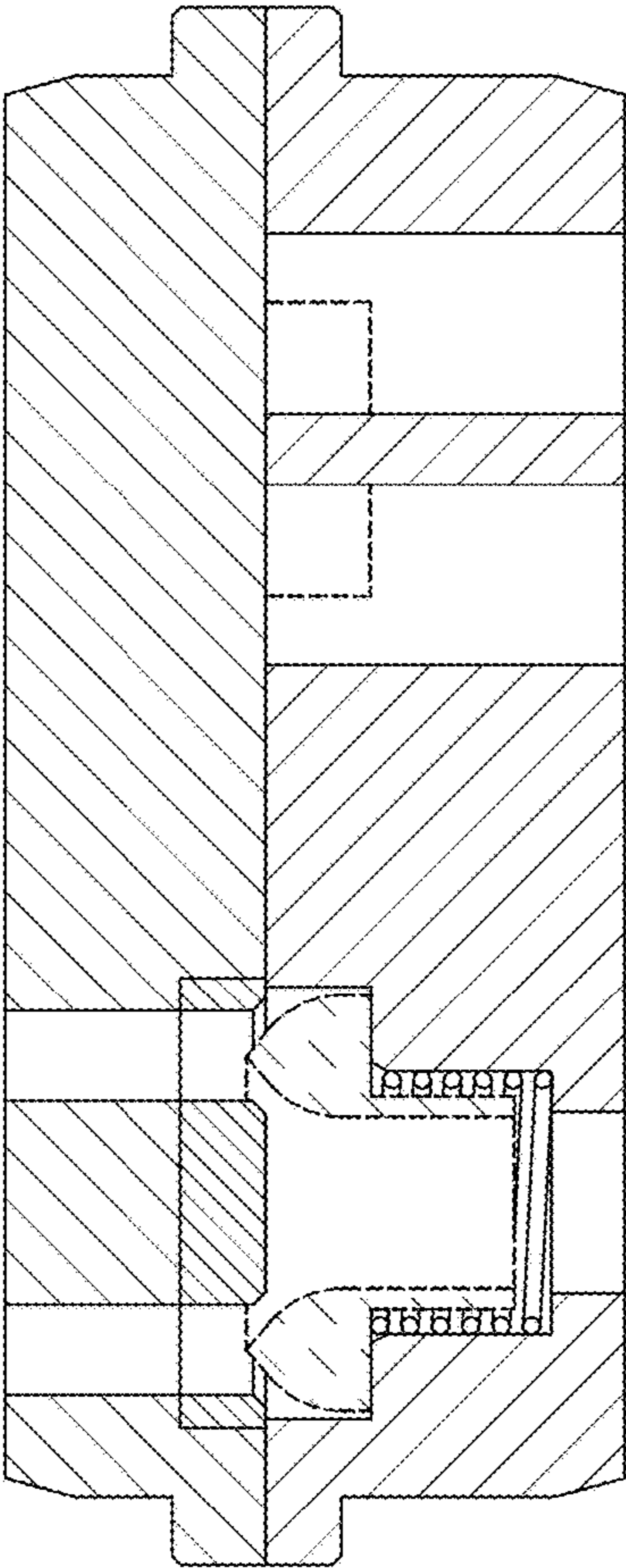


FIG.6

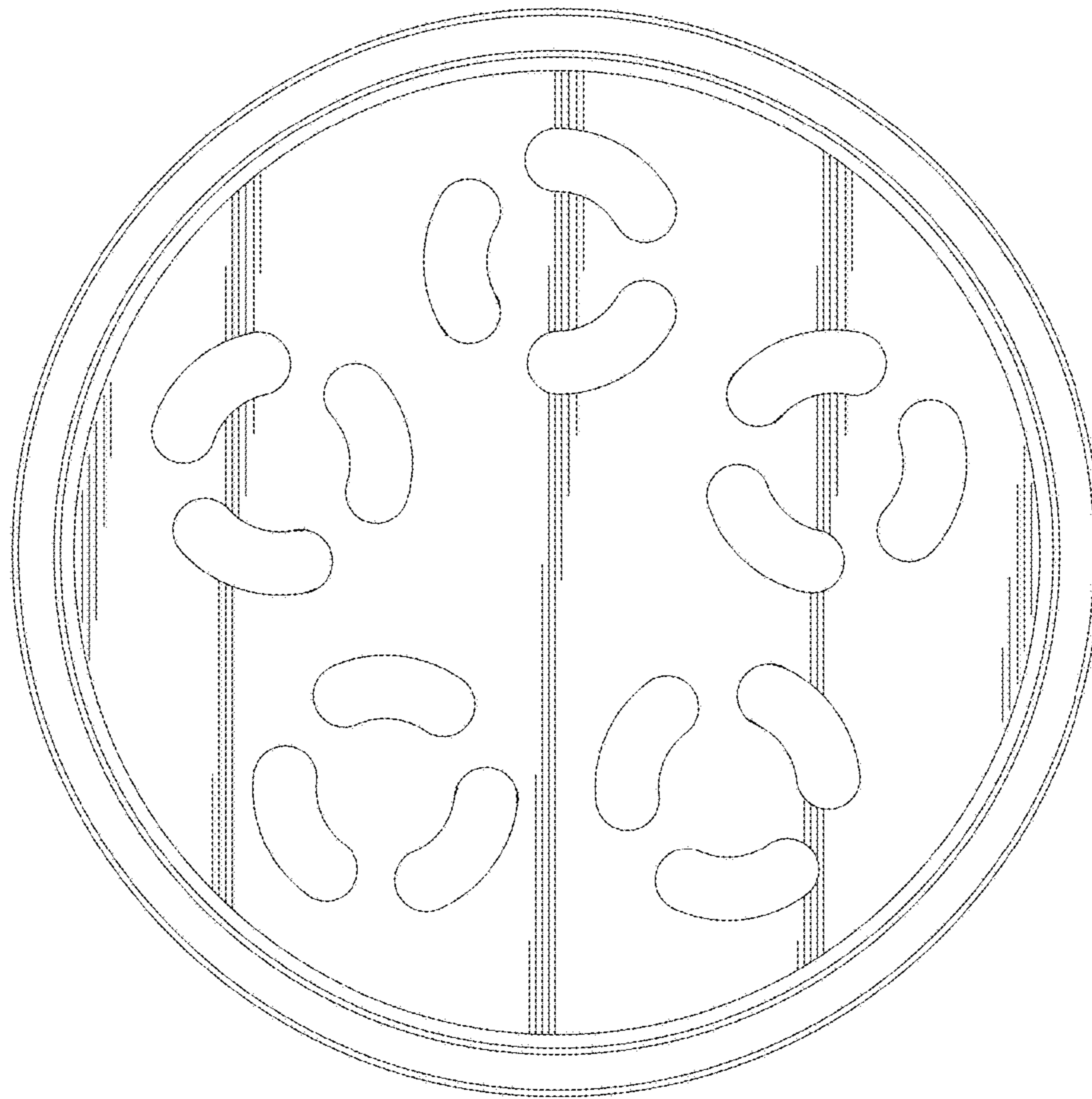


FIG. 7

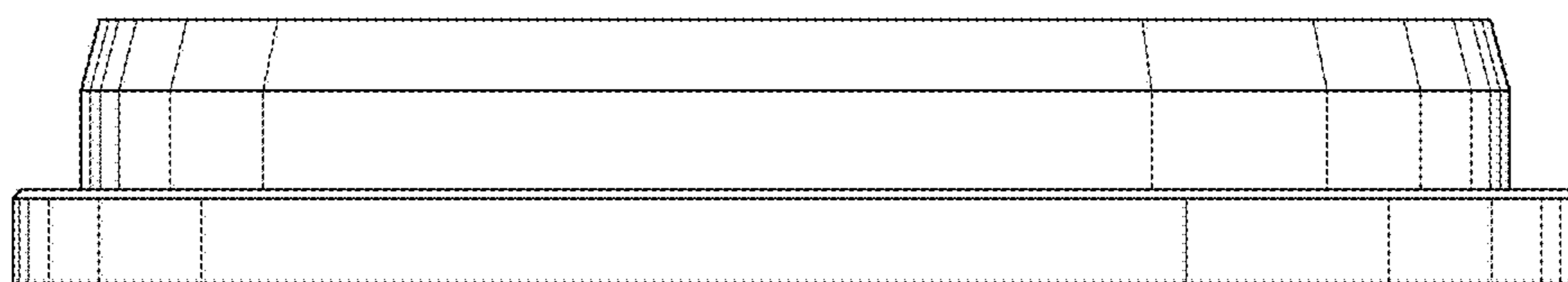


FIG. 8

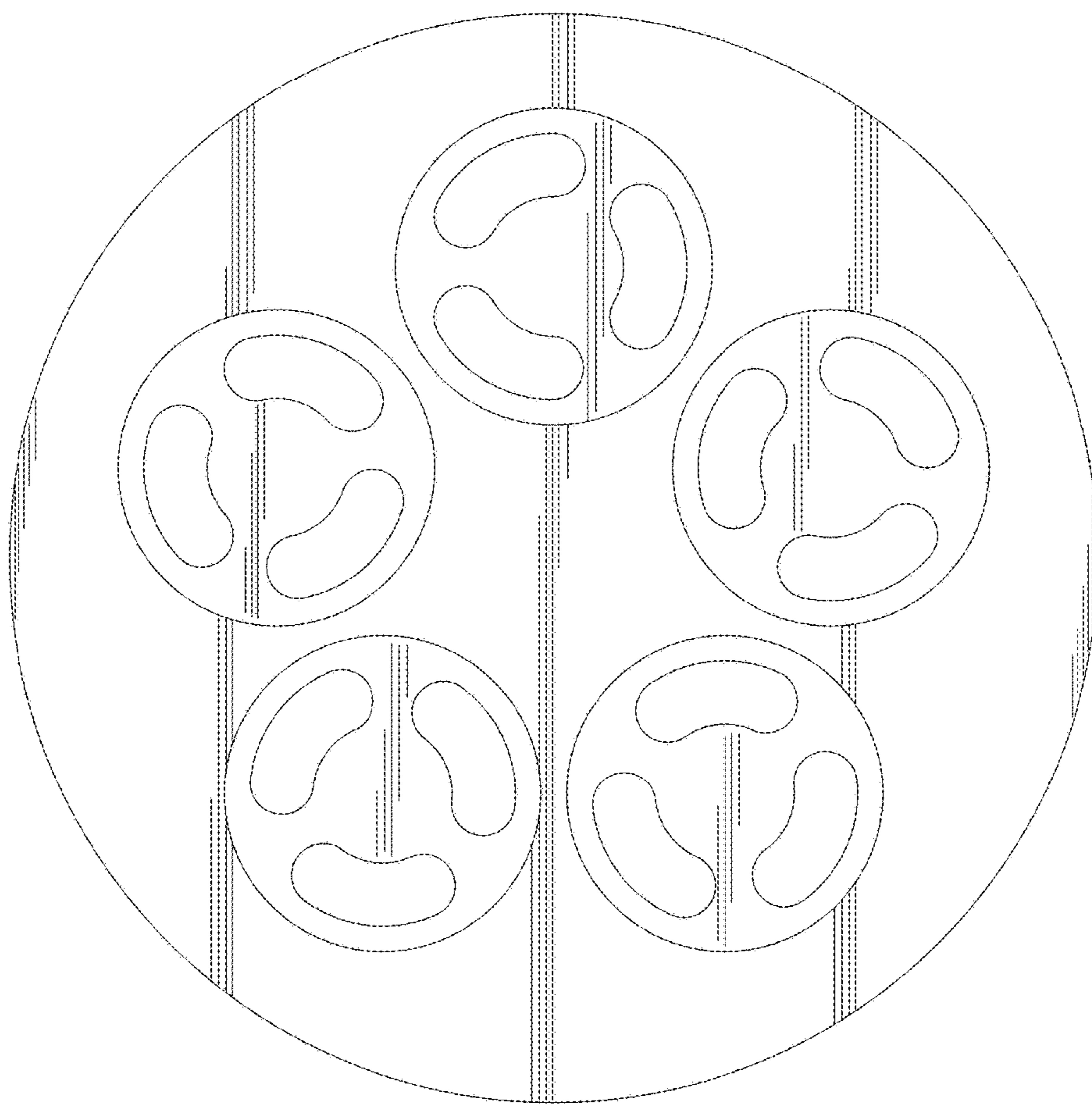


FIG. 9

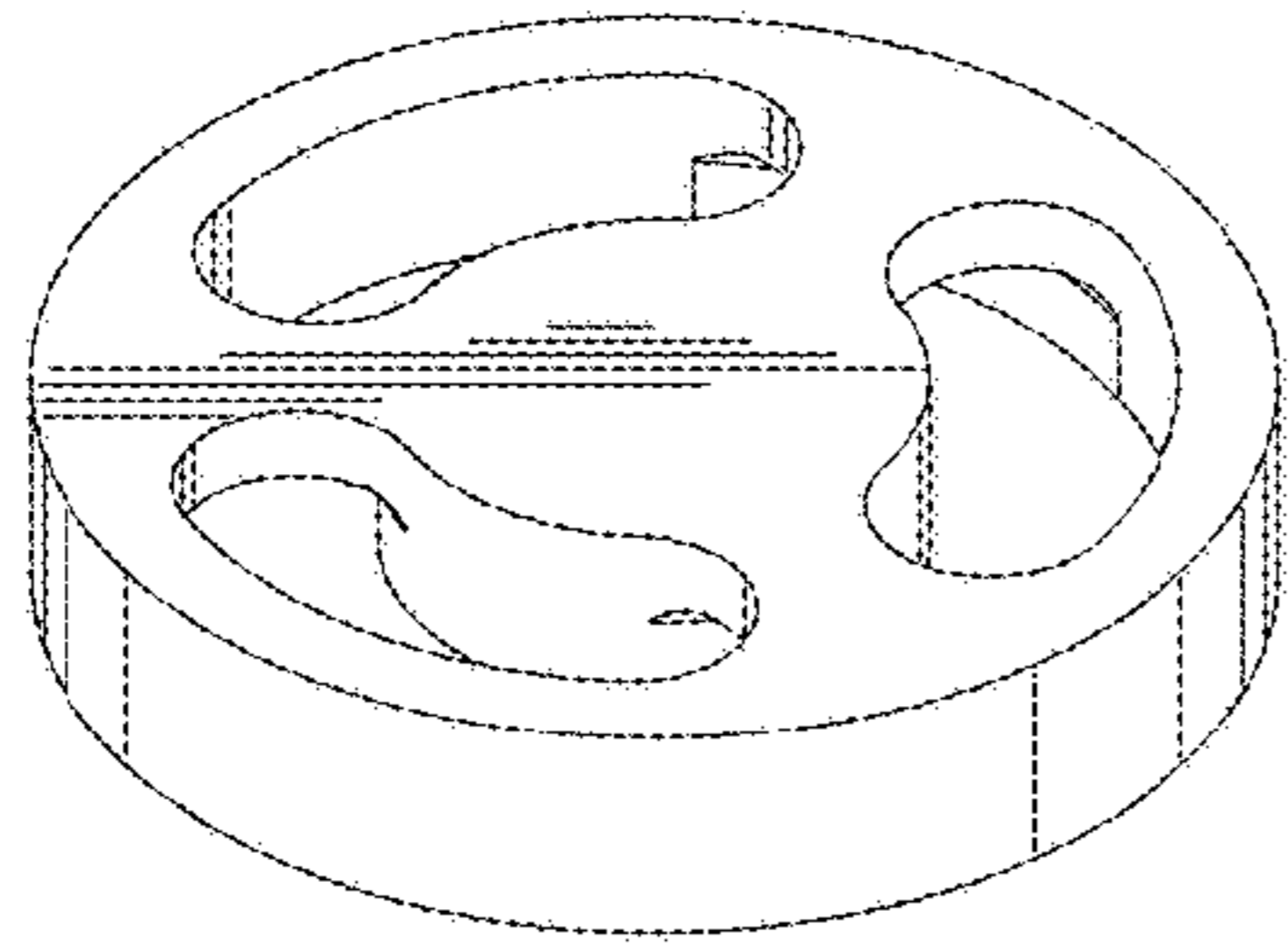


FIG. 10

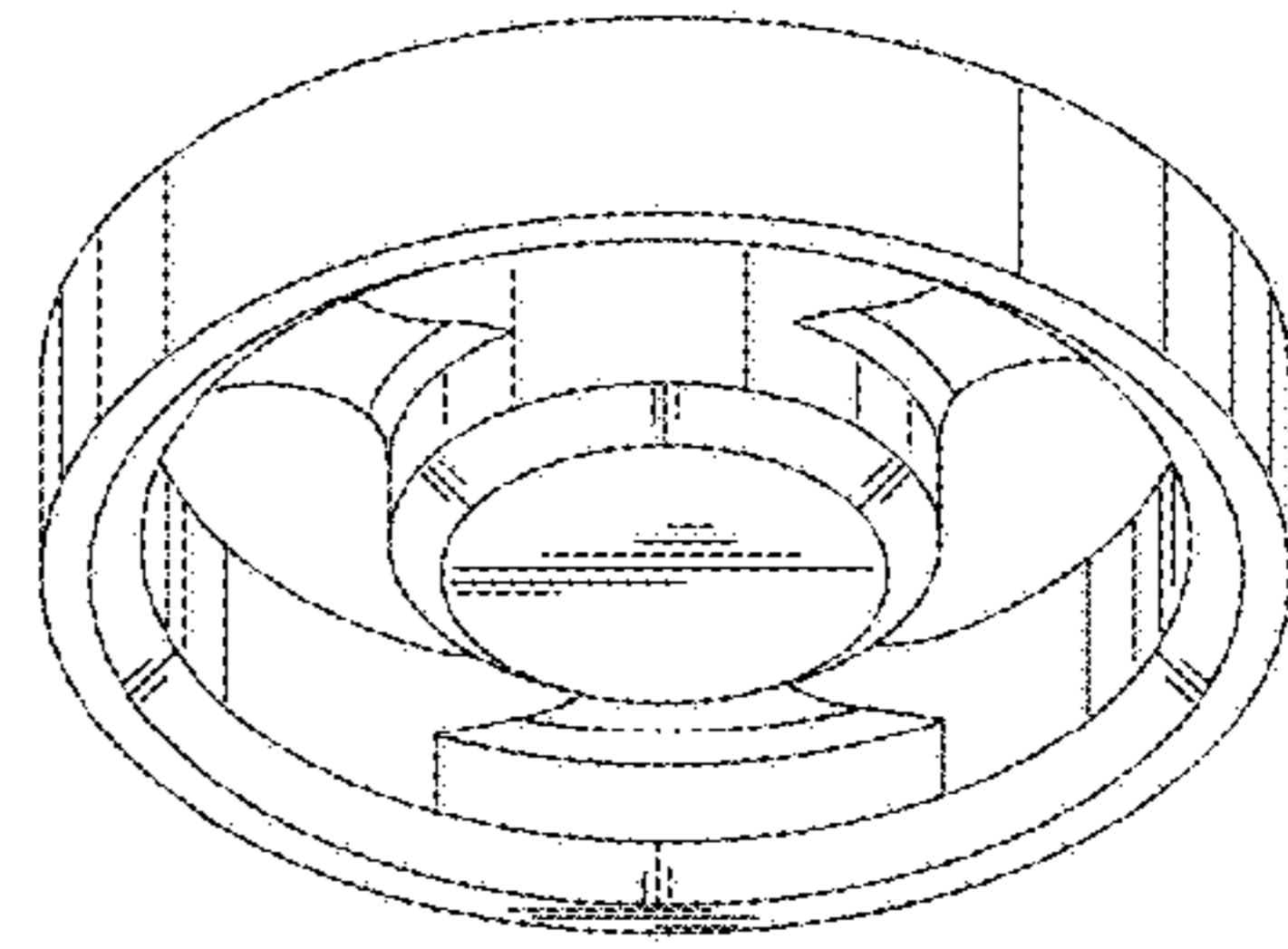


FIG. 11

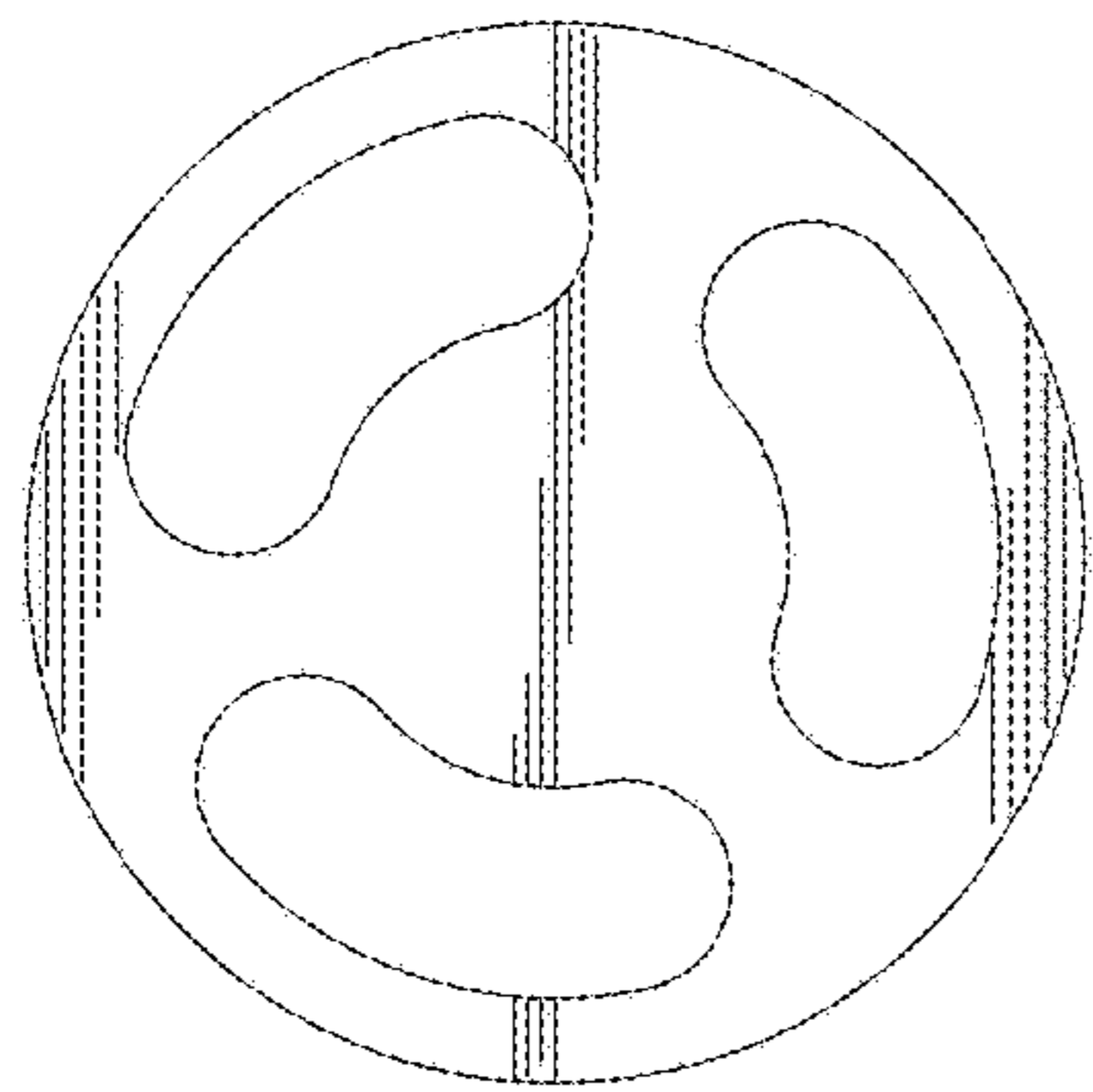


FIG. 12

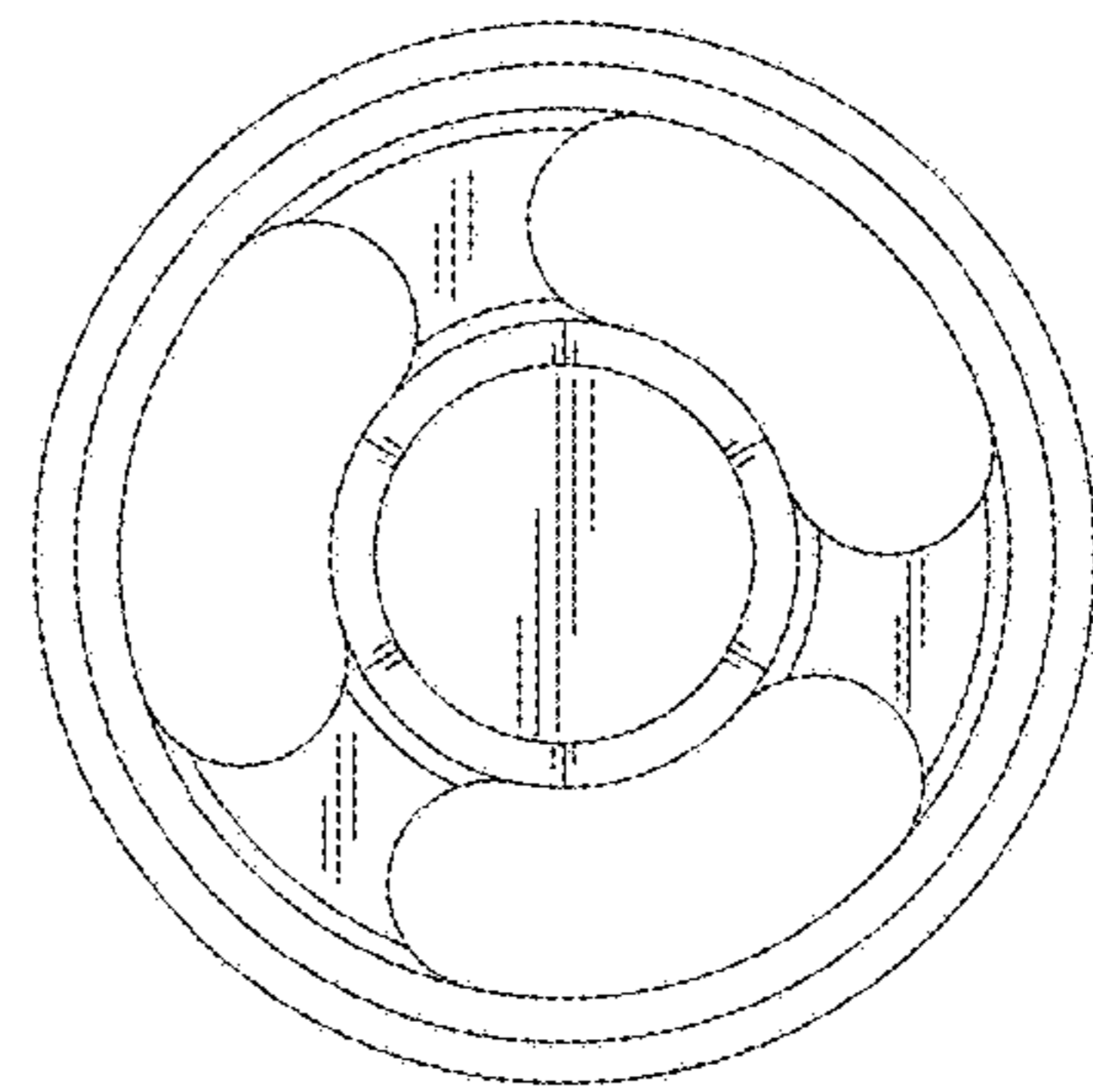


FIG. 13

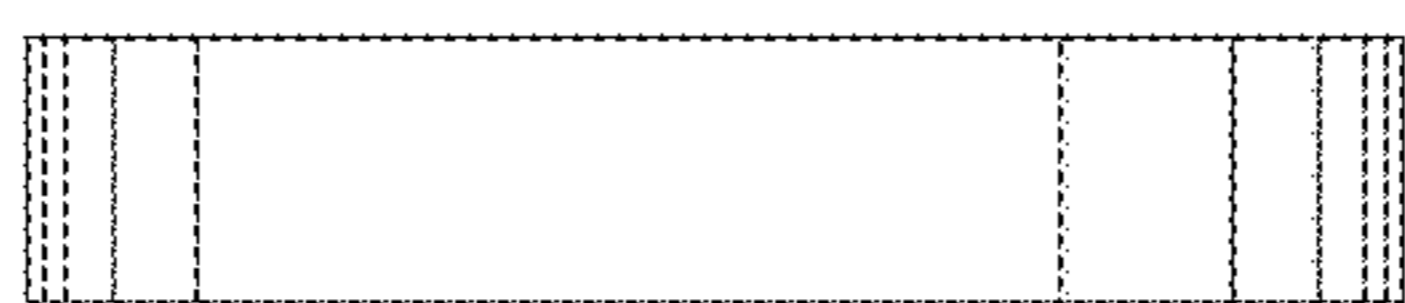


FIG. 14

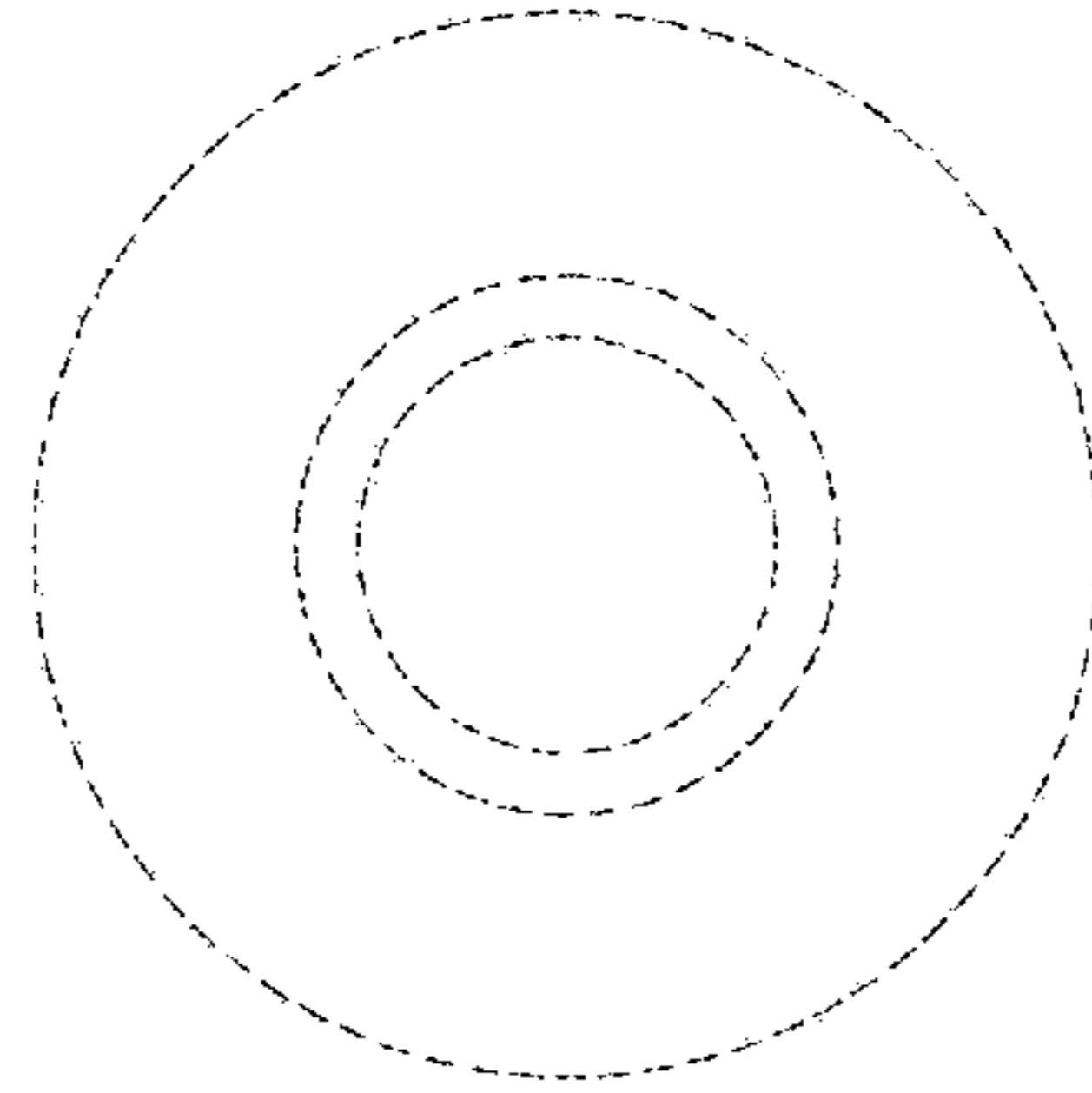


FIG.15

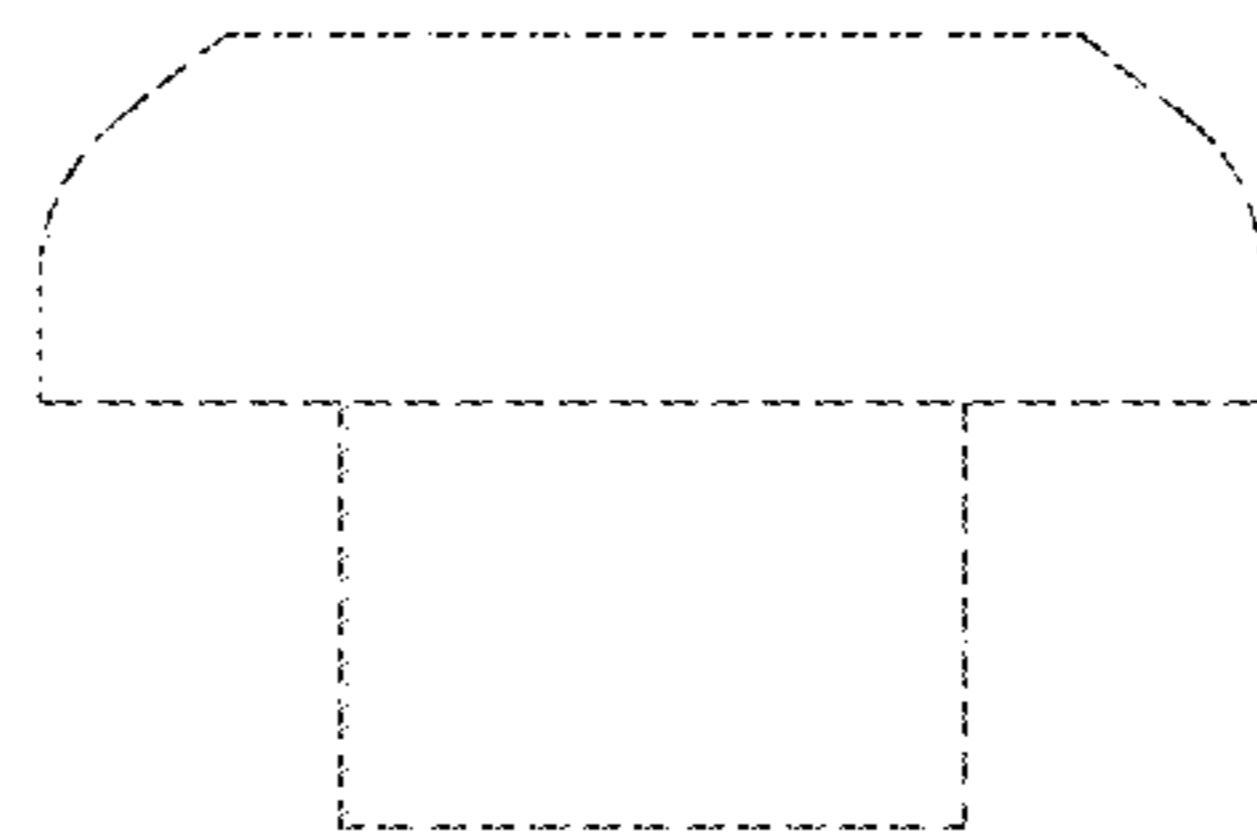


FIG.16

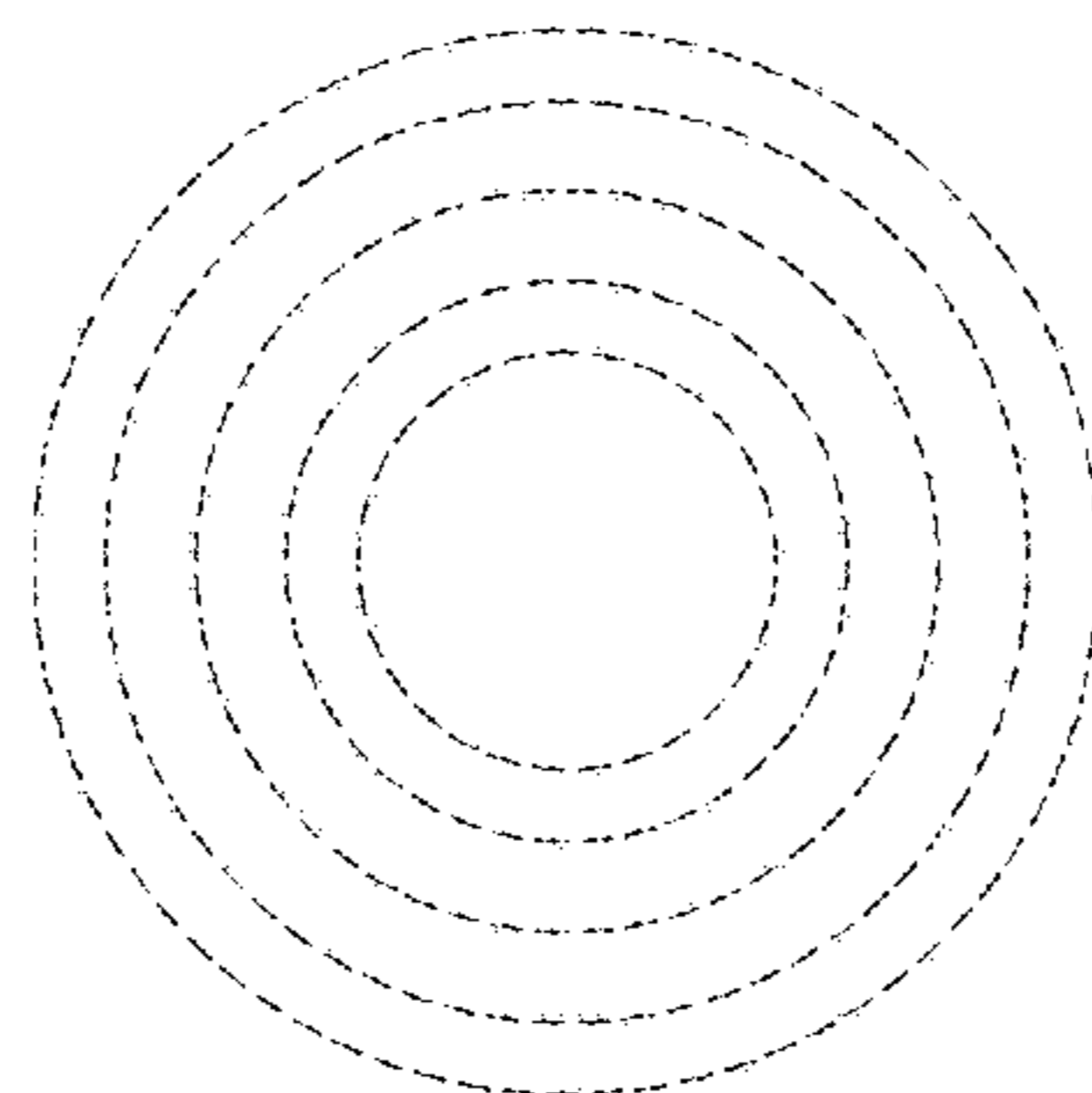


FIG.17

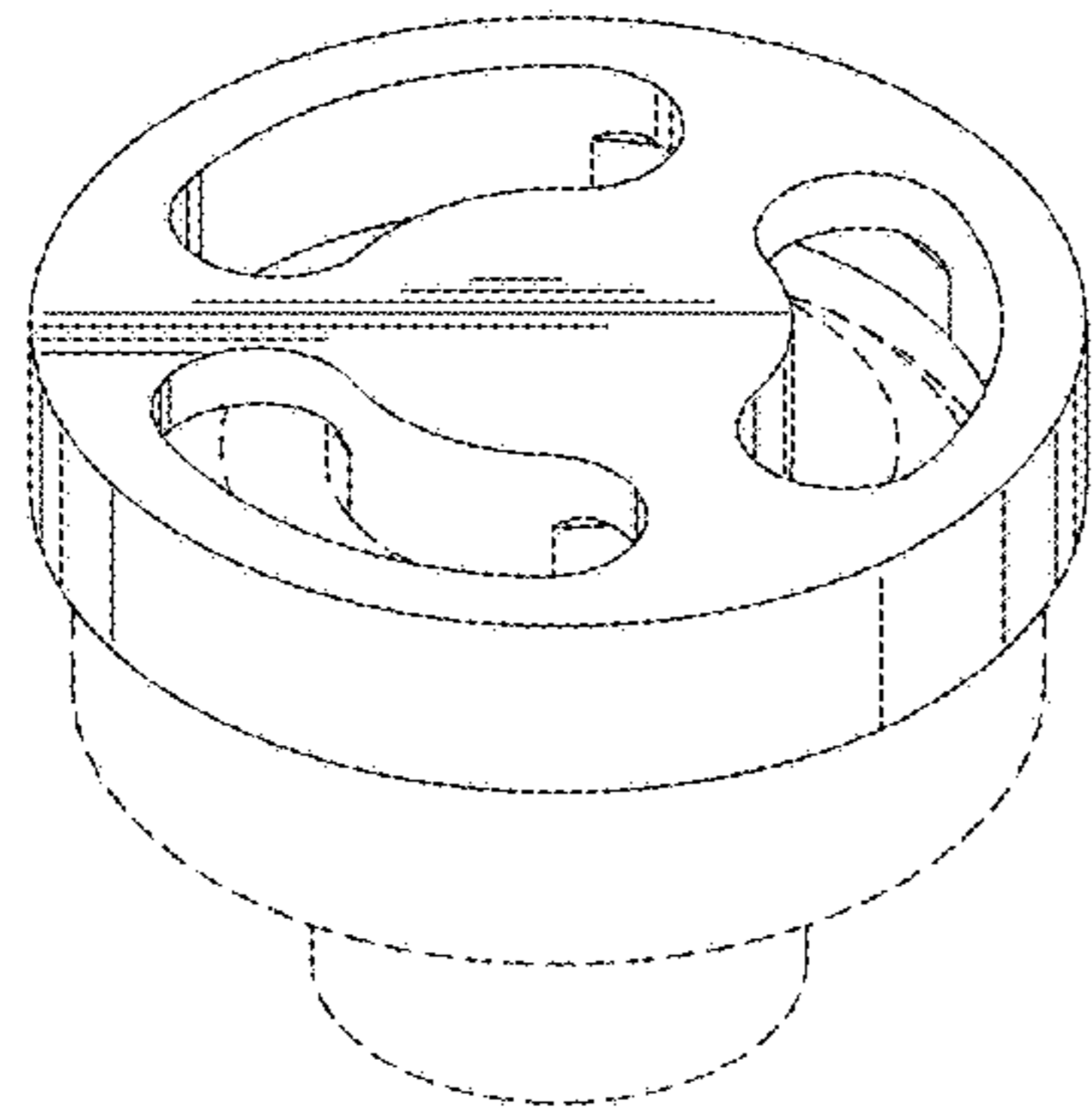


FIG.18

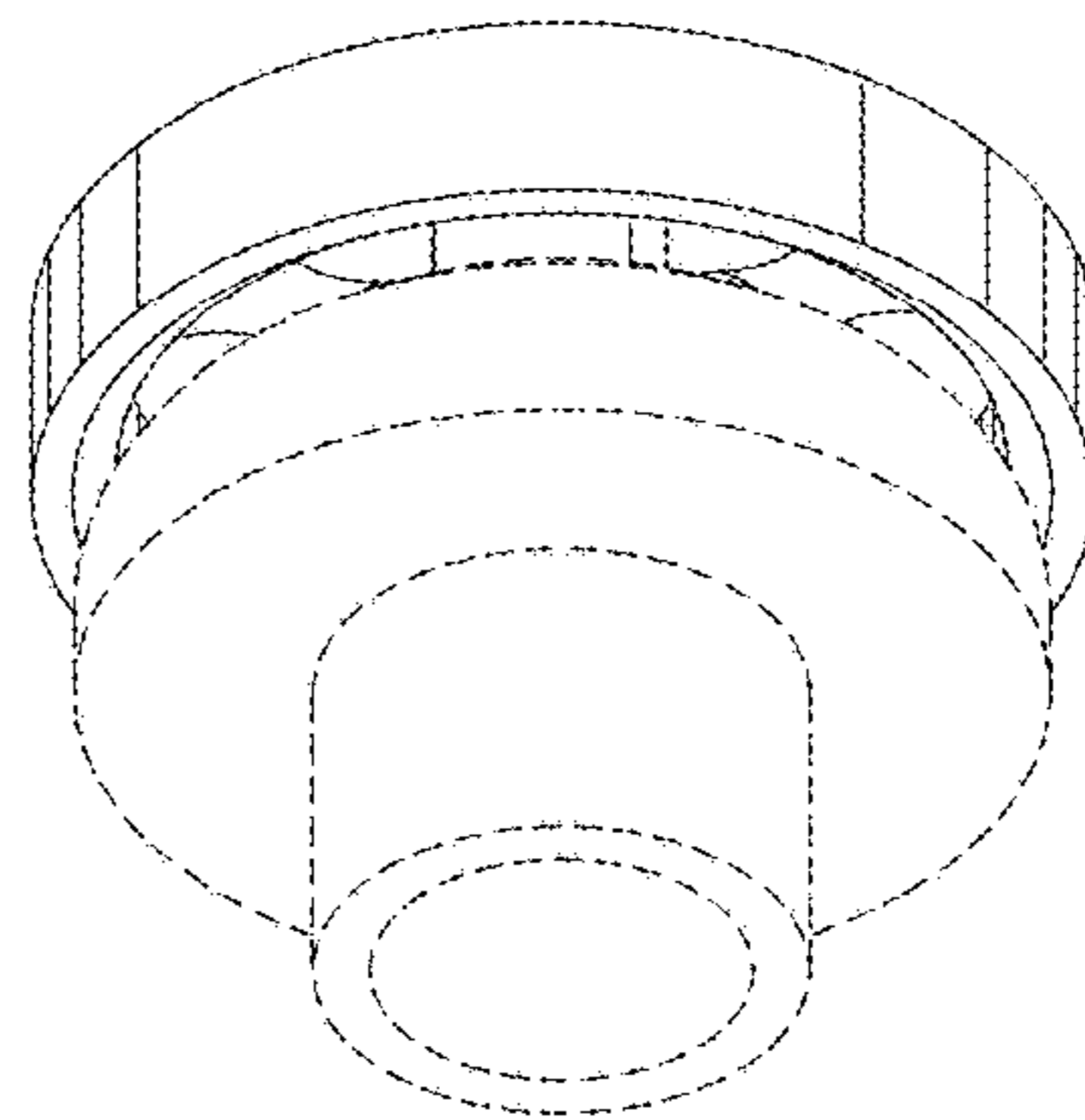


FIG.19

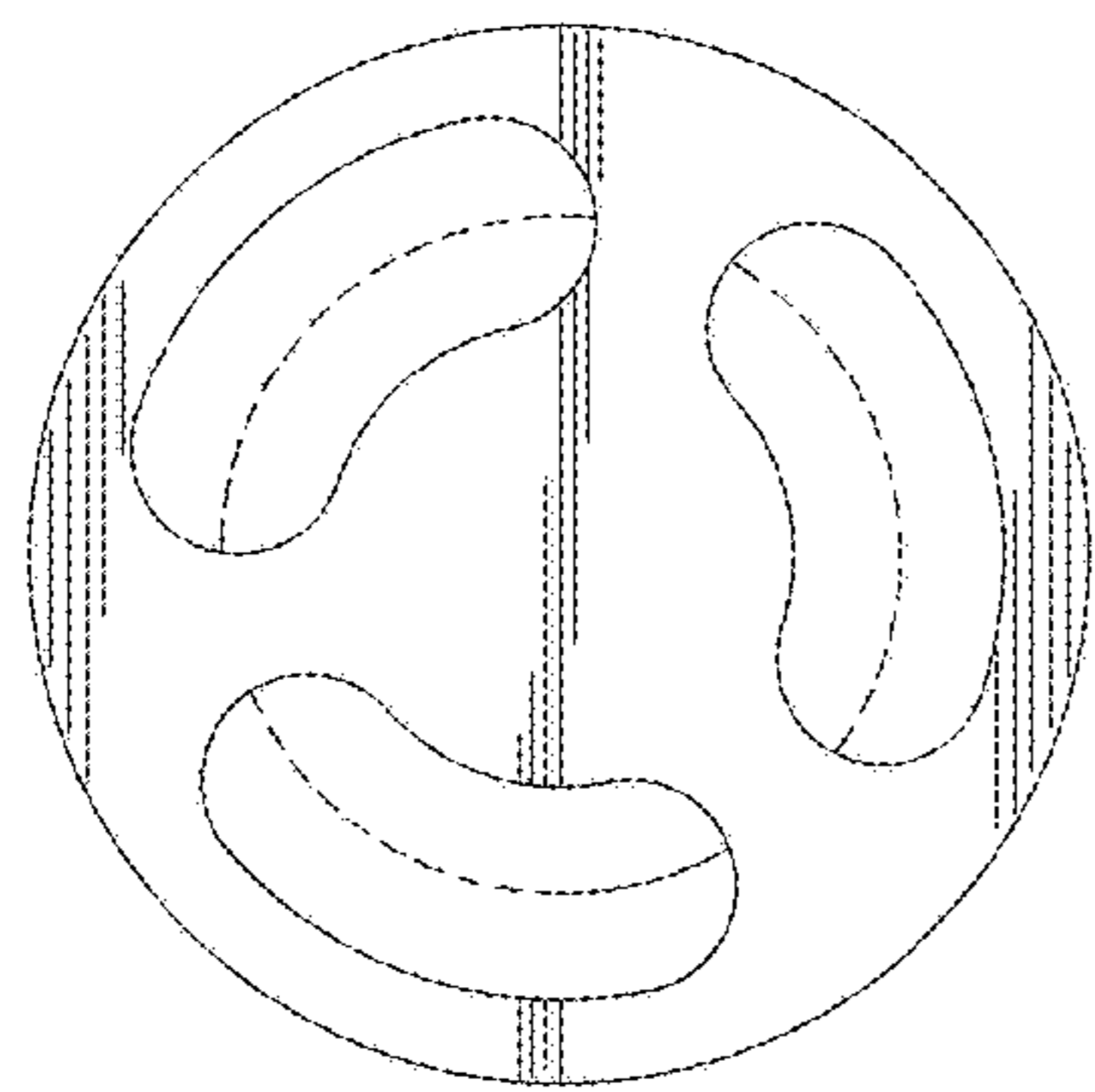


FIG.20

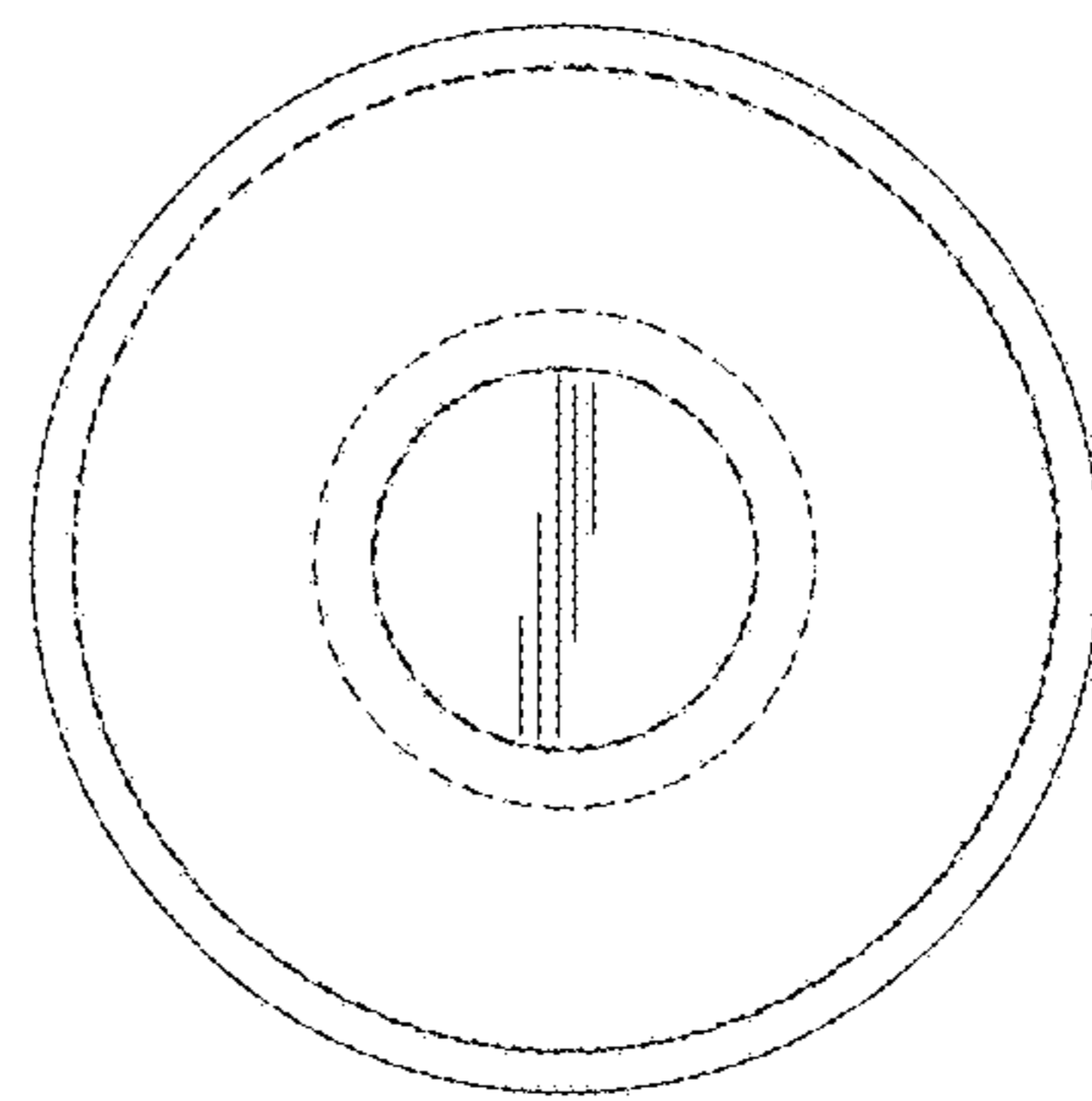


FIG.21

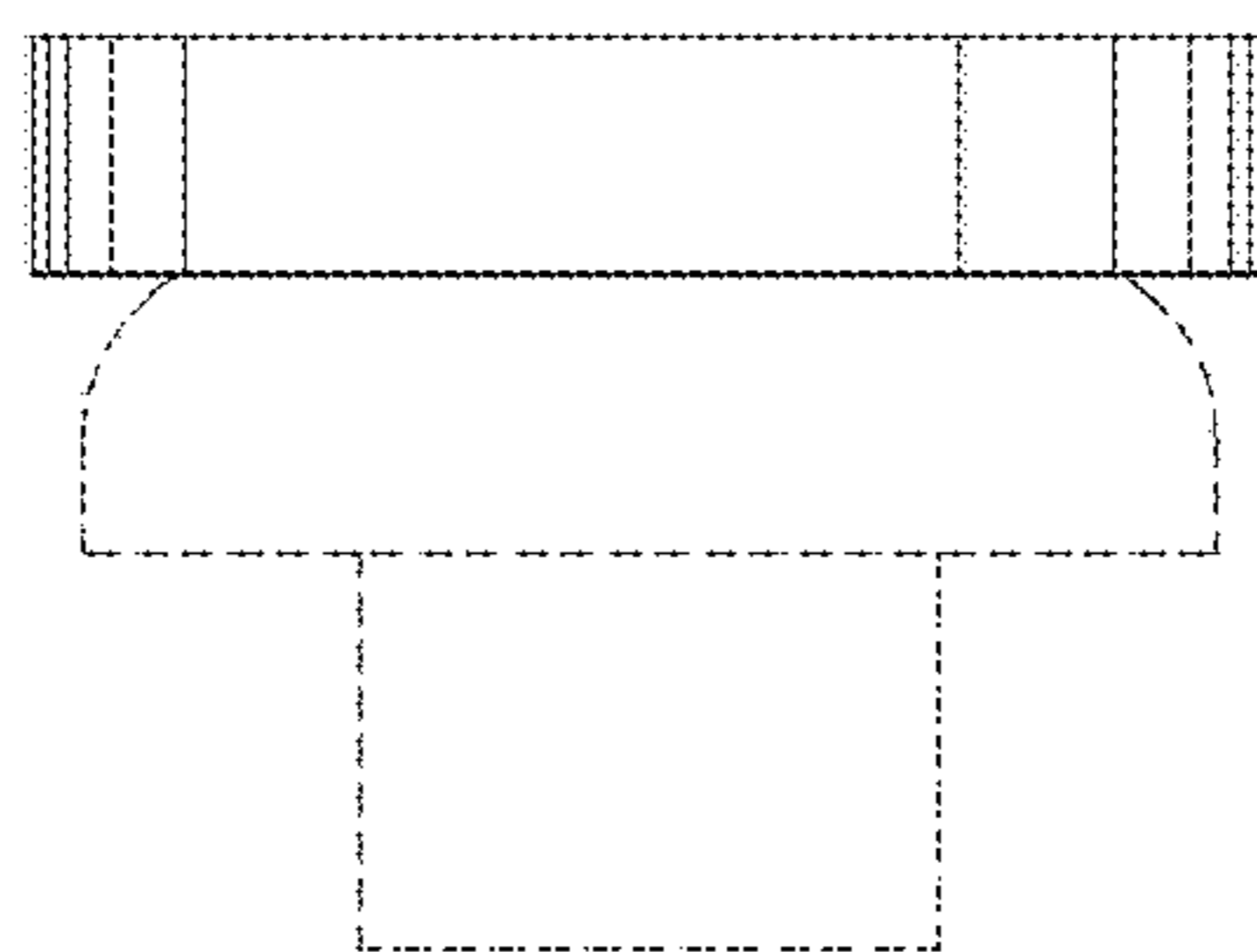


FIG.22

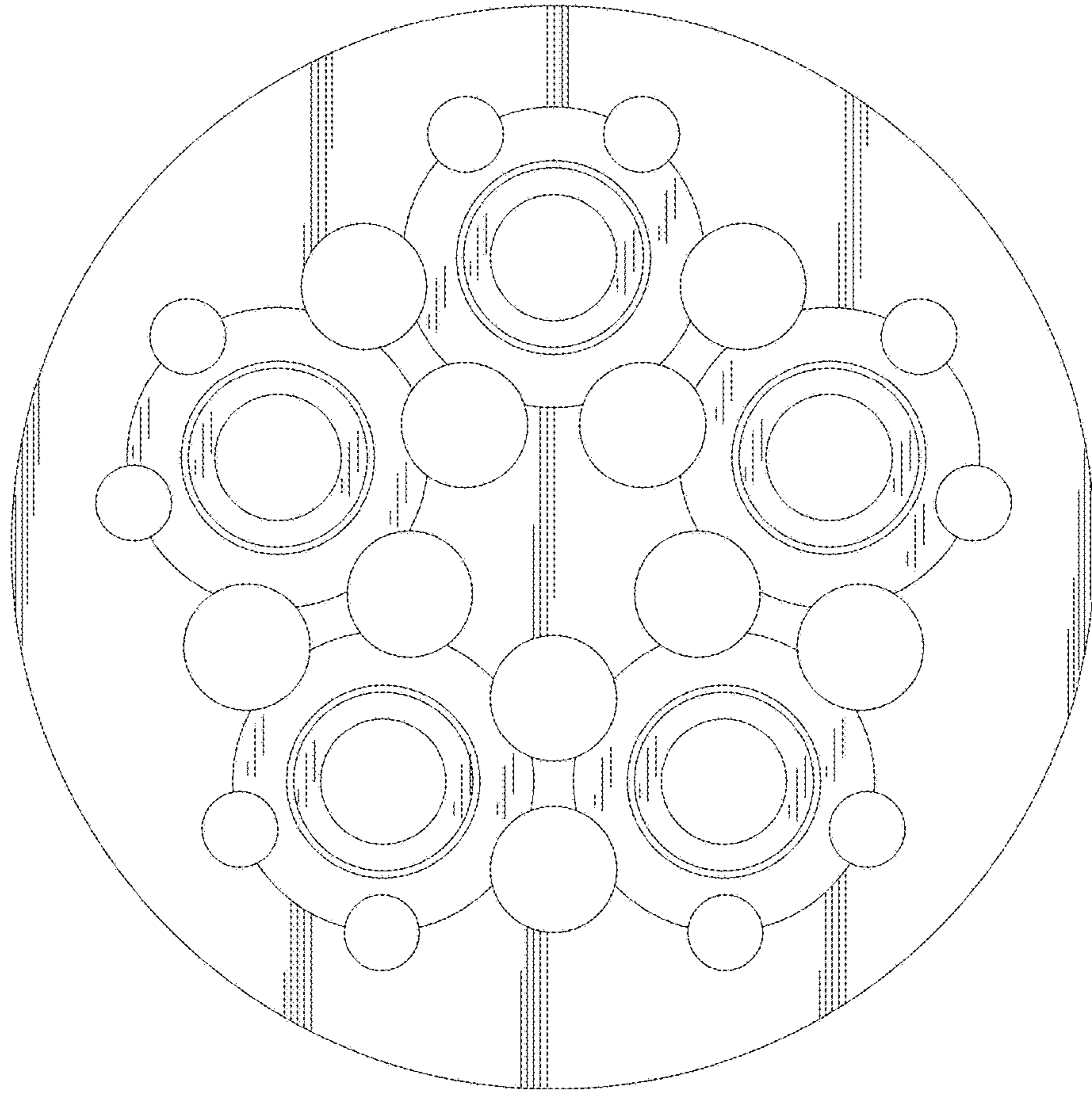


FIG.23

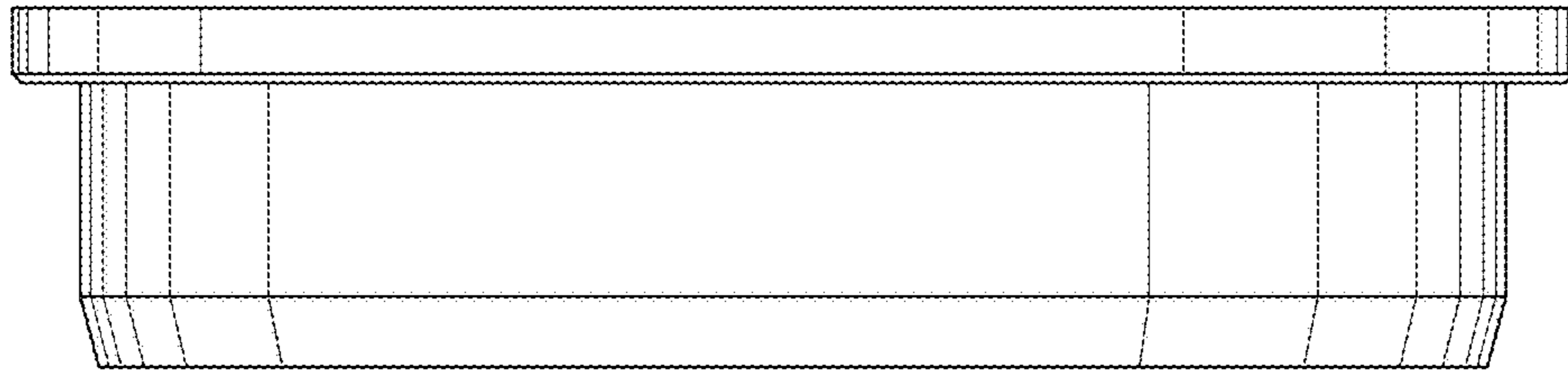


FIG.24

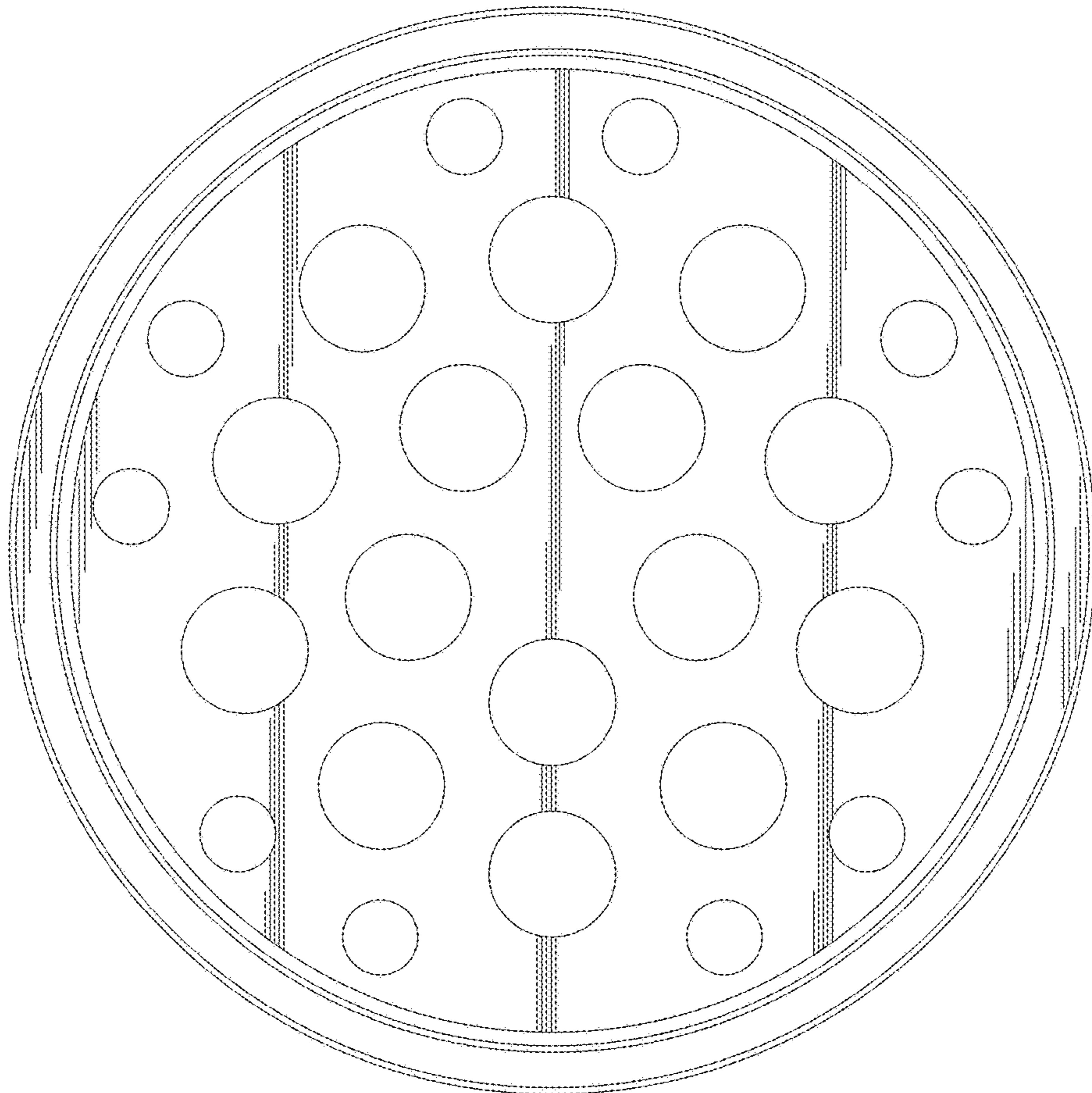


FIG.25