



US00D872770S

(12) **United States Design Patent**
Hamburger et al.

(10) **Patent No.:** **US D872,770 S**
(45) **Date of Patent:** **** Jan. 14, 2020**

(54) **SUPERCHARGER SYSTEM**

(71) Applicant: **Hamburger Specialty Vehicles, Inc.**,
Toms River, NJ (US)

(72) Inventors: **Edward Hamburger**, Toms River, NJ
(US); **David Goral**, Bayville, NJ (US);
Henry Daniecki, Cream Ridge, NJ
(US)

(73) Assignee: **Hamburger's Specialty Vehicles, Inc.**,
Toms River, NJ (US)

(**) Term: **15 Years**

(21) Appl. No.: **29/658,391**

(22) Filed: **Jul. 31, 2018**

(51) **LOC (12) Cl.** **15-01**

(52) **U.S. Cl.**
USPC **D15/5**

(58) **Field of Classification Search**
USPC D15/1-5
CPC F01D 9/026; F02B 37/183; F02B 29/0412;
F02B 29/0437; F02B 33/36; F02B 27/00;
F02B 33/44; F02B 61/02; F02M
35/10157; F02M 35/116; F02M 35/161;
F02M 35/10039; F02M 35/10045; F02M
35/10144; F02M 35/10268
See application file for complete search history.

(56) **References Cited**

U.S. PATENT DOCUMENTS

8,439,019 B1 * 5/2013 Carlson F16H 7/20
123/559.1
8,439,020 B1 * 5/2013 Carlson F02B 33/40
123/559.1
D808,436 S 1/2018 Hamburger et al.

D811,438 S 2/2018 Hamburger et al.
D835,157 S * 12/2018 Hamburger D15/5
2013/0306040 A1 * 11/2013 Yamada F02B 29/04
123/563
2017/0218891 A1 * 8/2017 Zoner F02B 33/36
2017/0284421 A1 * 10/2017 Wade F02M 35/10157
2018/0051662 A1 * 2/2018 Owen F02M 35/10144
2019/0063304 A1 * 2/2019 Lefebvre F02B 29/0425

OTHER PUBLICATIONS

Pending Design U.S. Appl. No. 29/582,660, filed Oct. 28, 2016,
Conf. No. 1950.

* cited by examiner

Primary Examiner — T Chase Nelson

Assistant Examiner — Ania Aman

(74) *Attorney, Agent, or Firm* — MacMillan, Sobanski &
Todd, LLC

(57) **CLAIM**

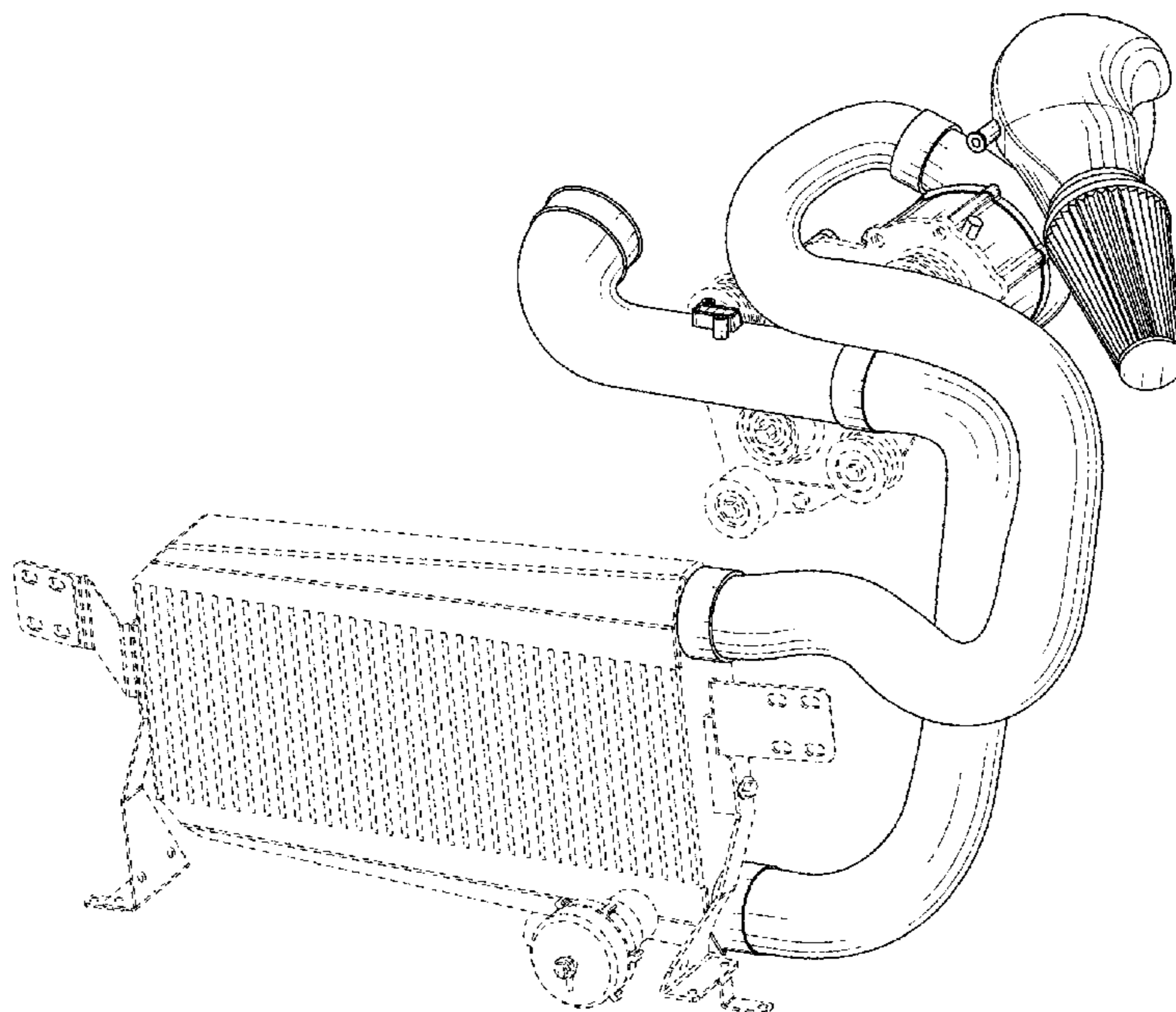
The ornamental design for a supercharger system, as shown
and described.

DESCRIPTION

FIG. 1 is a perspective view of a supercharger system
according to the design;
FIG. 2 is a front elevational view thereof;
FIG. 3 is a rear elevational view thereof;
FIG. 4 is a right side elevational view thereof;
FIG. 5 is a left side elevational view thereof;
FIG. 6 is a top plan view thereof; and,
FIG. 7 is a bottom plan view thereof.

The broken lines shown in the drawings are for the purposes
of illustrating portions of the article that form no part of the
claimed design.

1 Claim, 6 Drawing Sheets



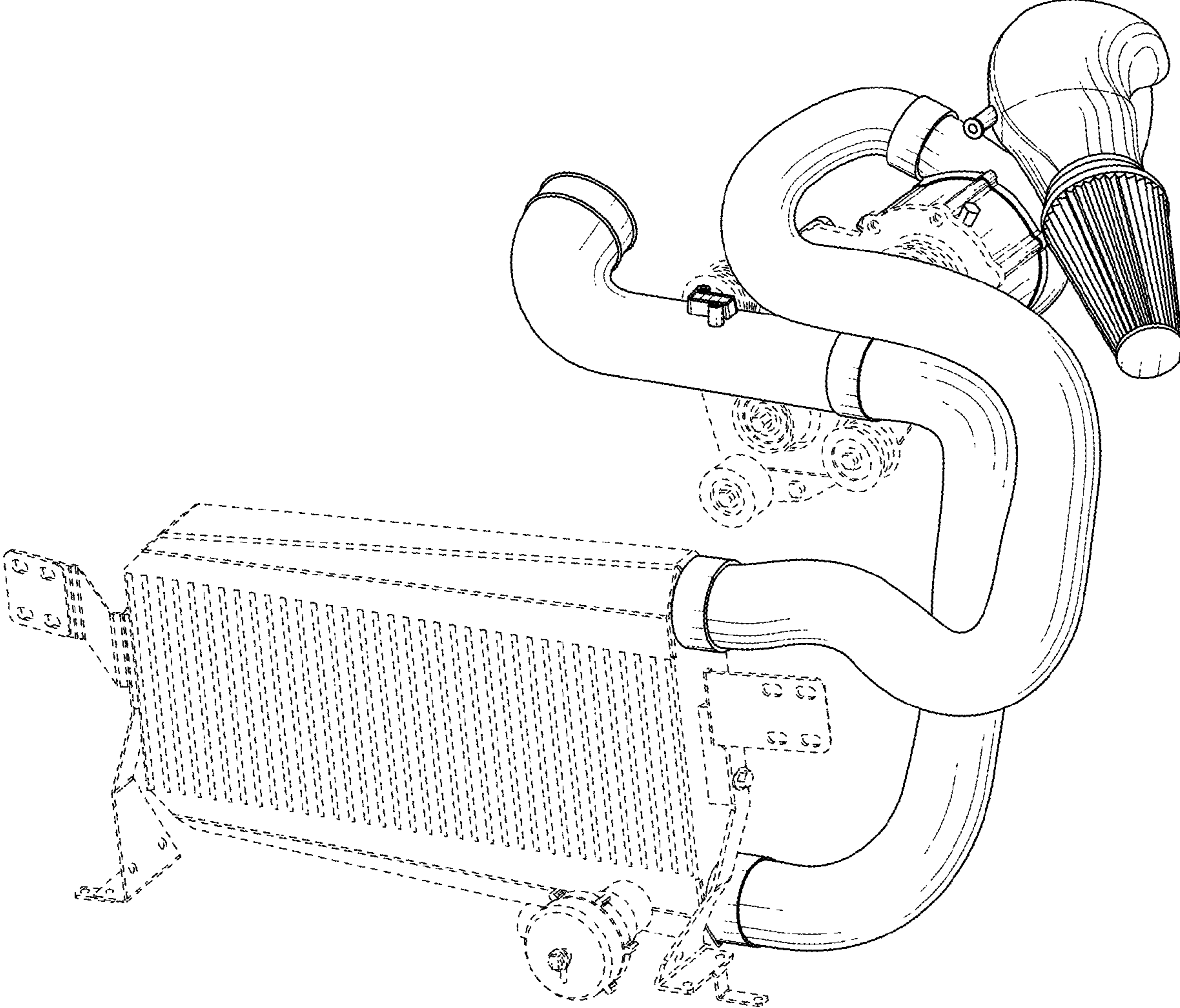


FIG. 1

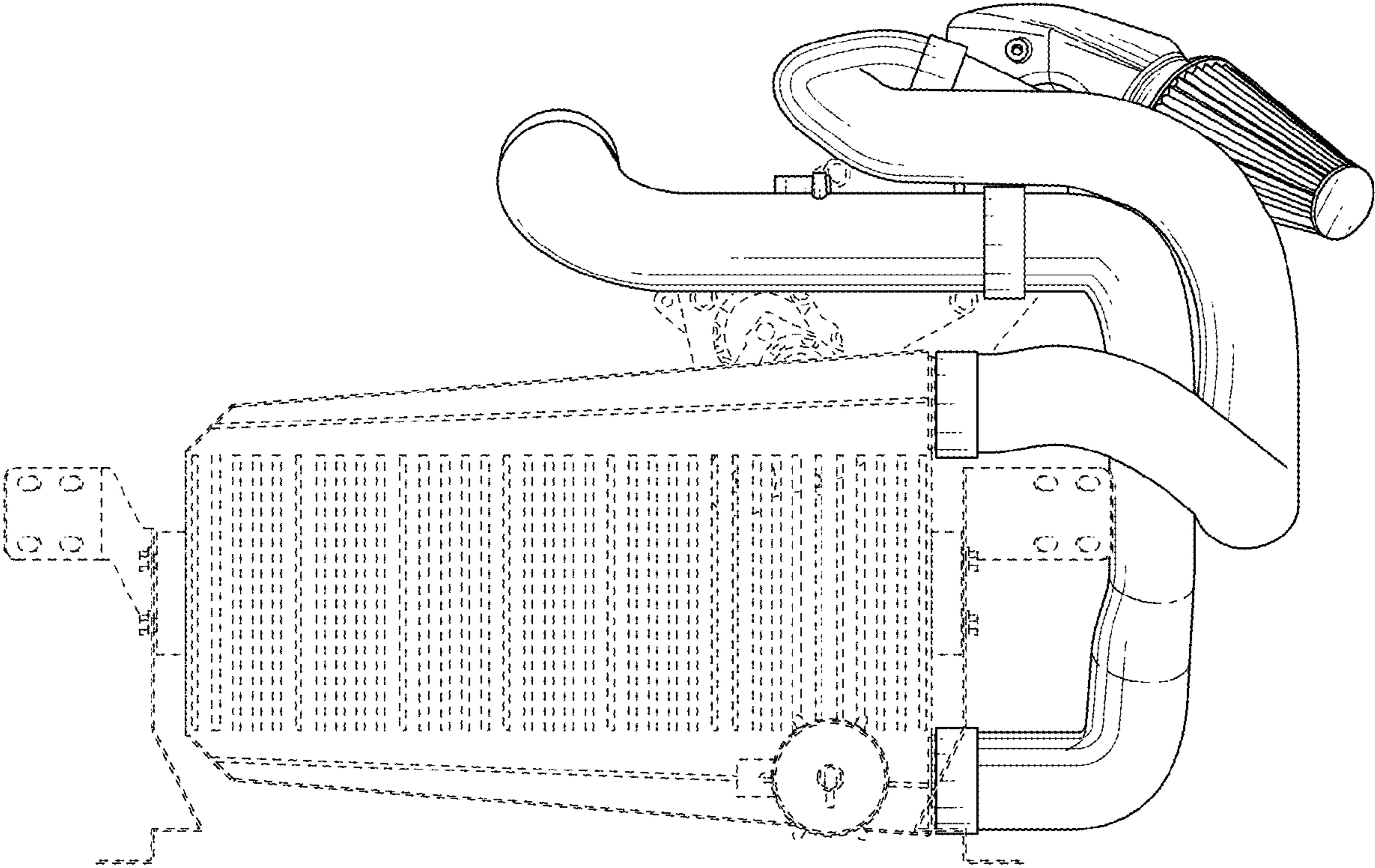


FIG. 2

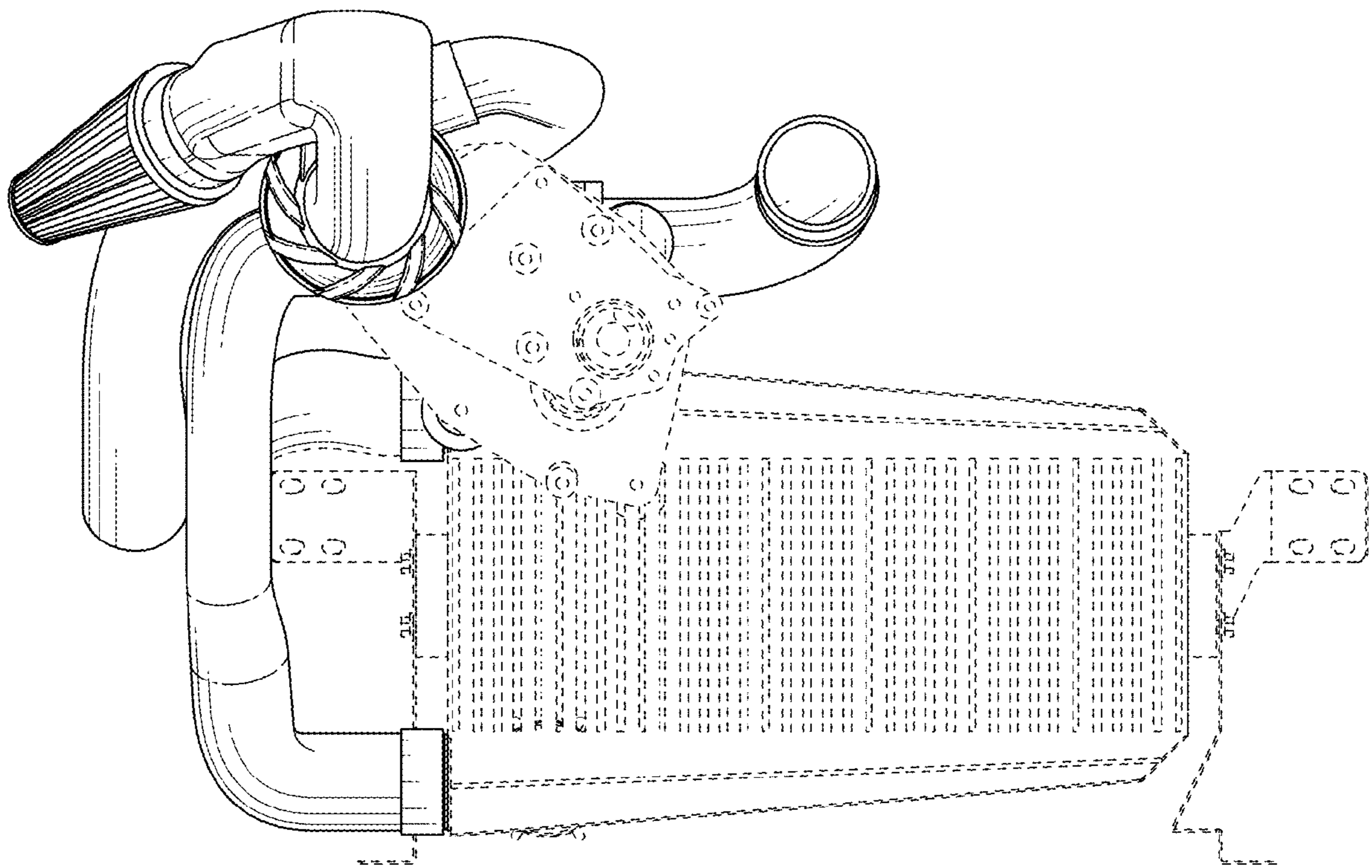


FIG. 3

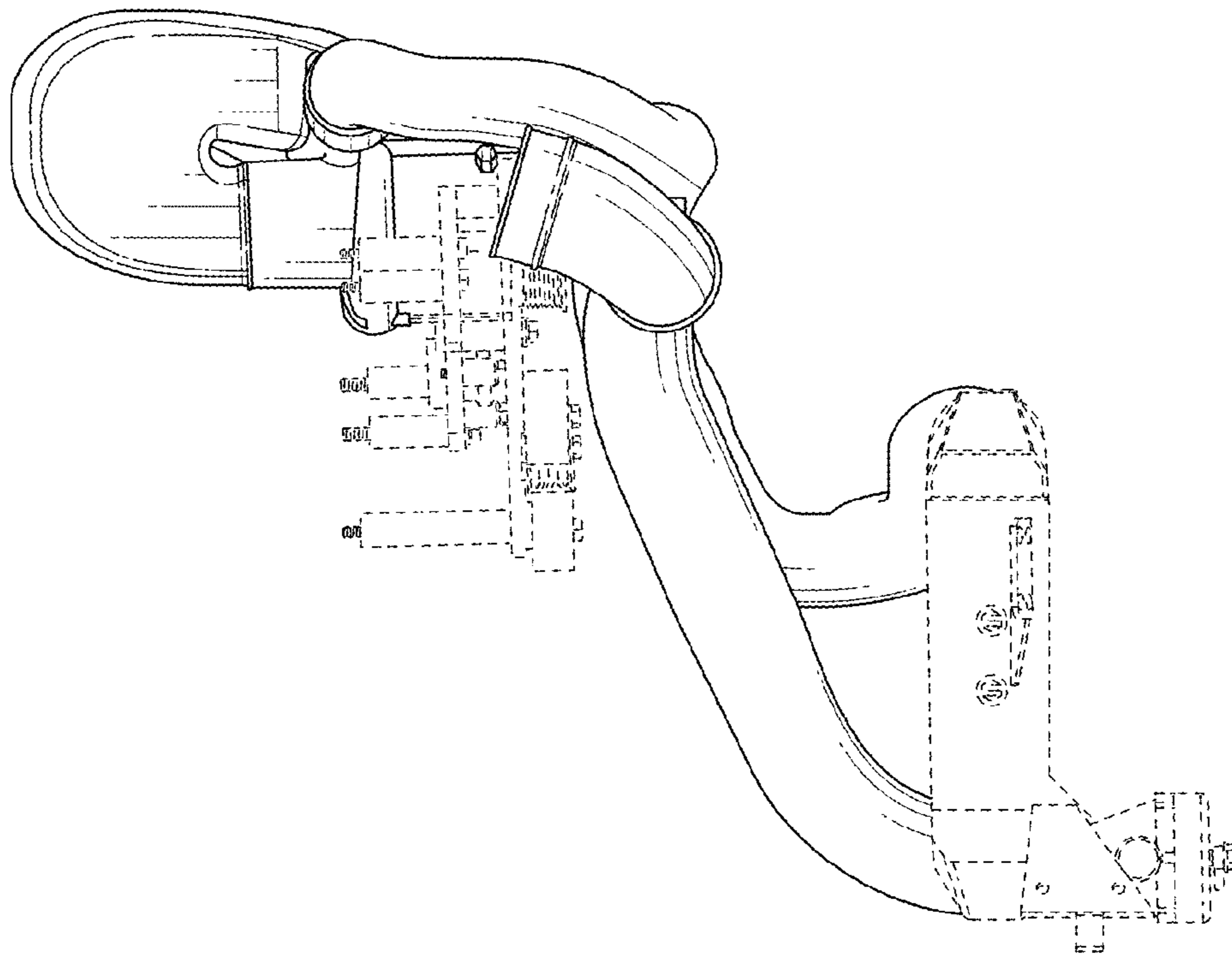


FIG. 4

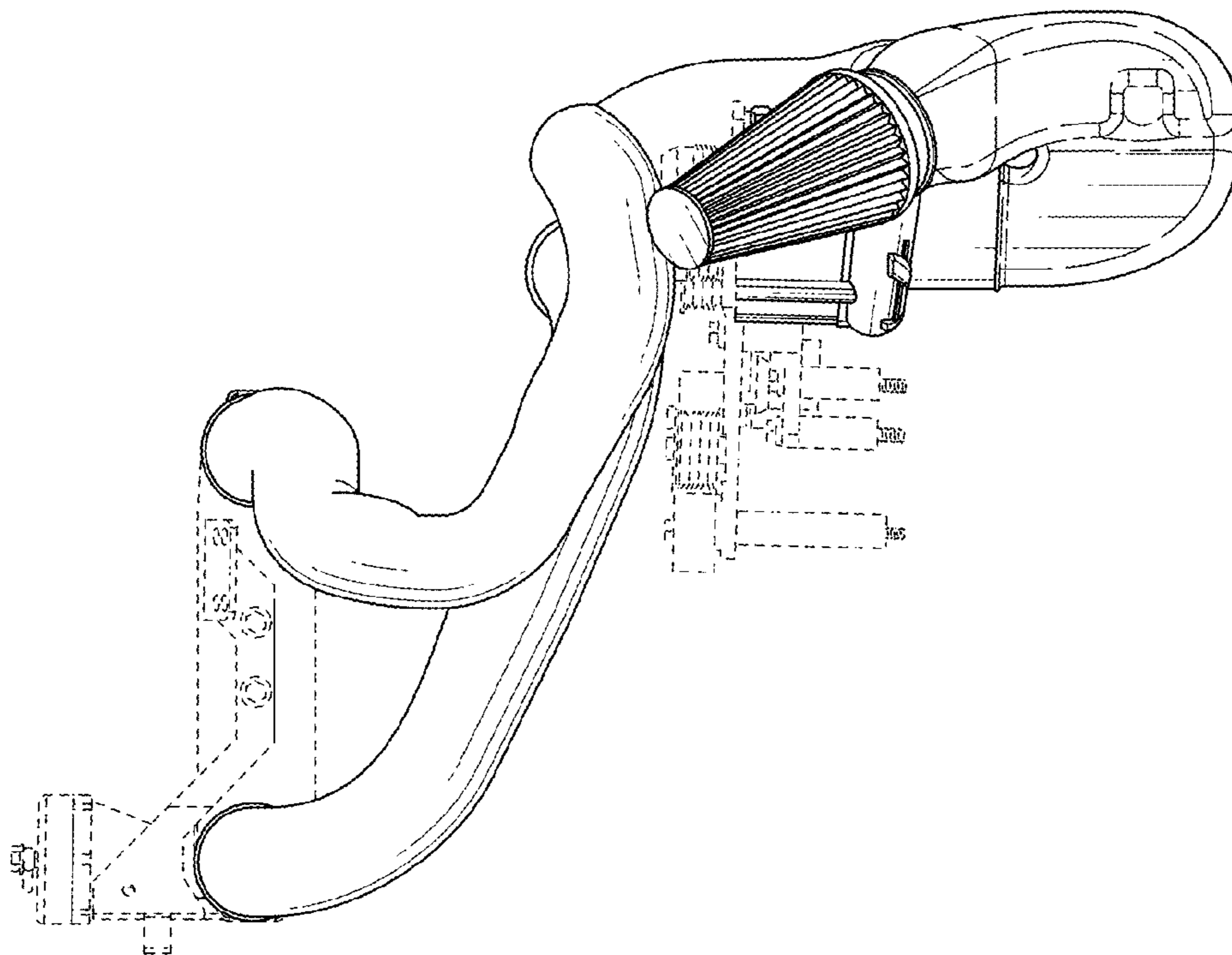


FIG. 5

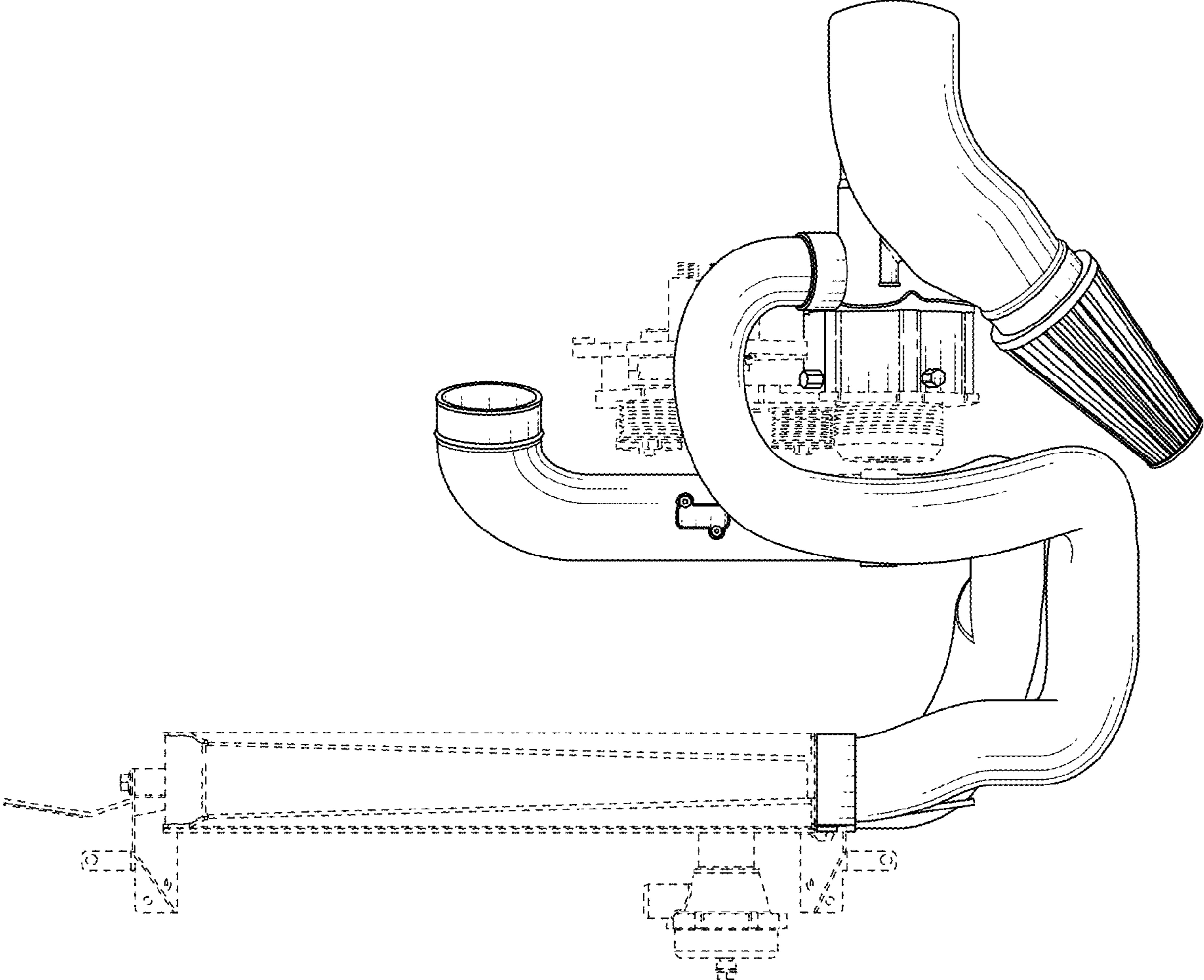


FIG. 6

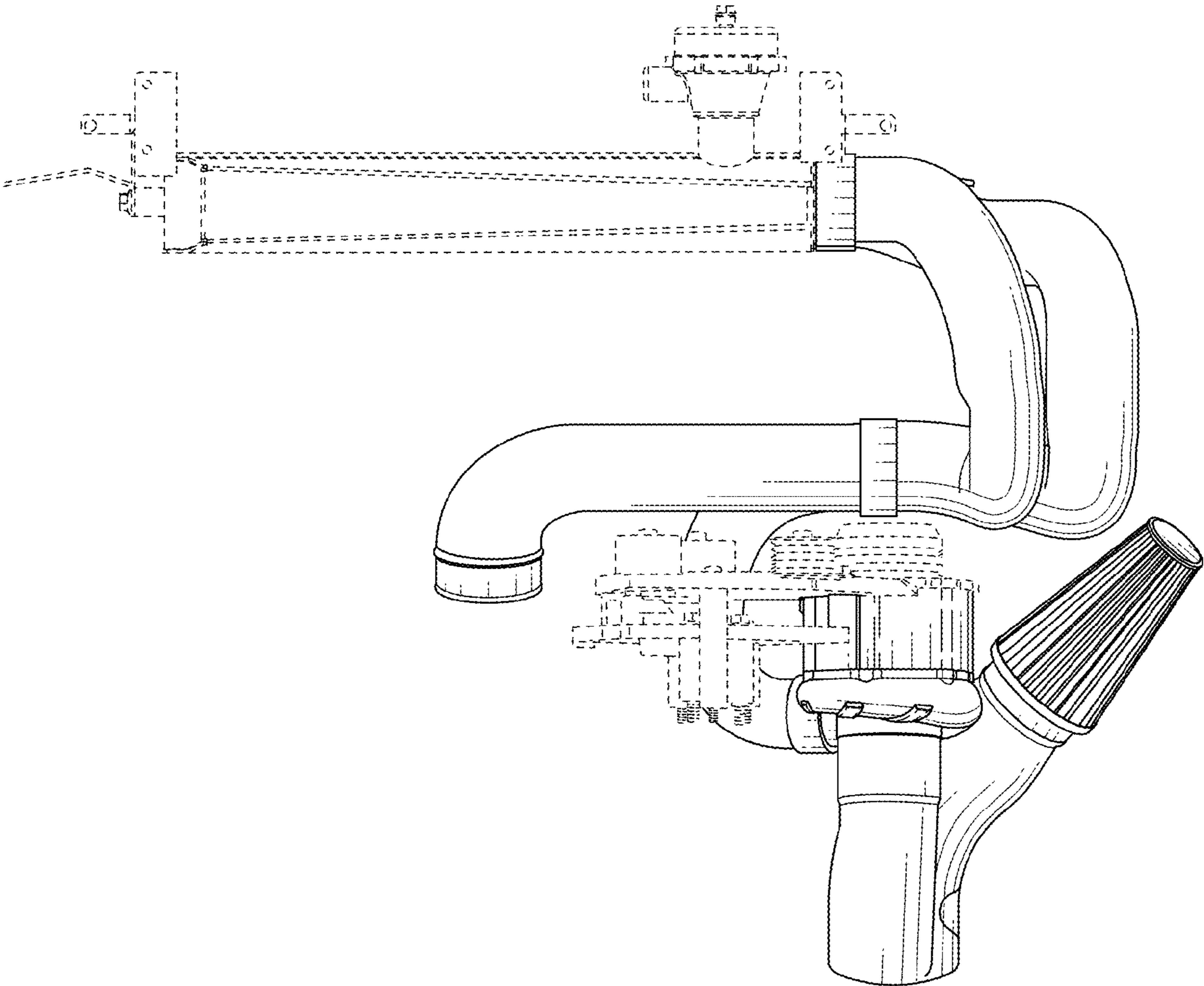


FIG. 7