



US00D872769S

(12) **United States Design Patent**  
**Hamburger et al.**

(10) **Patent No.:** **US D872,769 S**  
(45) **Date of Patent:** **\*\* Jan. 14, 2020**

- (54) **SUPERCHARGER SYSTEM**
- (71) Applicant: **Hamburger Specialty Vehicles, Inc.**,  
Toms River, NJ (US)
- (72) Inventors: **Edward Hamburger**, Toms River, NJ  
(US); **David Goral**, Bayville, NJ (US);  
**Henry Daniecki**, Cream Ridge, NJ  
(US)
- (73) Assignee: **Hamburger's Specialty Vehicles, Inc.**,  
Toms River, NJ (US)
- (\*\*) Term: **15 Years**
- (21) Appl. No.: **29/658,390**
- (22) Filed: **Jul. 31, 2018**
- (51) **LOC (12) Cl.** ..... **15-01**
- (52) **U.S. Cl.**  
USPC ..... **D15/5**
- (58) **Field of Classification Search**  
USPC ..... D15/1-5  
CPC .... F01D 9/026; F02B 37/183; F02B 29/0412;  
F02B 29/0437; F02B 33/36; F02B 27/00;  
F02B 33/44; F02B 61/02; F02M  
35/10157; F02M 35/116; F02M 35/161;  
F02M 35/10039; F02M 35/10045; F02M  
35/10144; F02M 35/10268  
See application file for complete search history.

- D811,438 S 2/2018 Hamburger et al.
- D835,157 S \* 12/2018 Hamburger ..... D15/5
- 2013/0306040 A1\* 11/2013 Yamada ..... F02B 29/04  
123/563
- 2017/0218891 A1\* 8/2017 Zoner ..... F02B 33/36
- 2017/0284421 A1\* 10/2017 Wade ..... F02M 35/10157
- 2018/0051662 A1\* 2/2018 Owen ..... F02M 35/10144
- 2019/0063304 A1\* 2/2019 Lefebvre ..... F02B 29/0425

**OTHER PUBLICATIONS**

Pending Design U.S. Appl. No. 29/582,660, filed Oct. 28, 2016,  
Conf. No. 1950.

\* cited by examiner

*Primary Examiner* — T Chase Nelson

*Assistant Examiner* — Ania Aman

(74) *Attorney, Agent, or Firm* — MacMillan, Sobanski &  
Todd, LLC

**CLAIM**

(57) The ornamental design for a supercharger system, as shown  
and described.

**DESCRIPTION**

FIG. 1 is a perspective view of a supercharger system according to the design;  
 FIG. 2 is a front elevational view thereof;  
 FIG. 3 is a rear elevational view thereof;  
 FIG. 4 is a right side elevational view thereof;  
 FIG. 5 is a left side elevational view thereof;  
 FIG. 6 is a top plan view thereof; and,  
 FIG. 7 is a bottom plan view thereof.

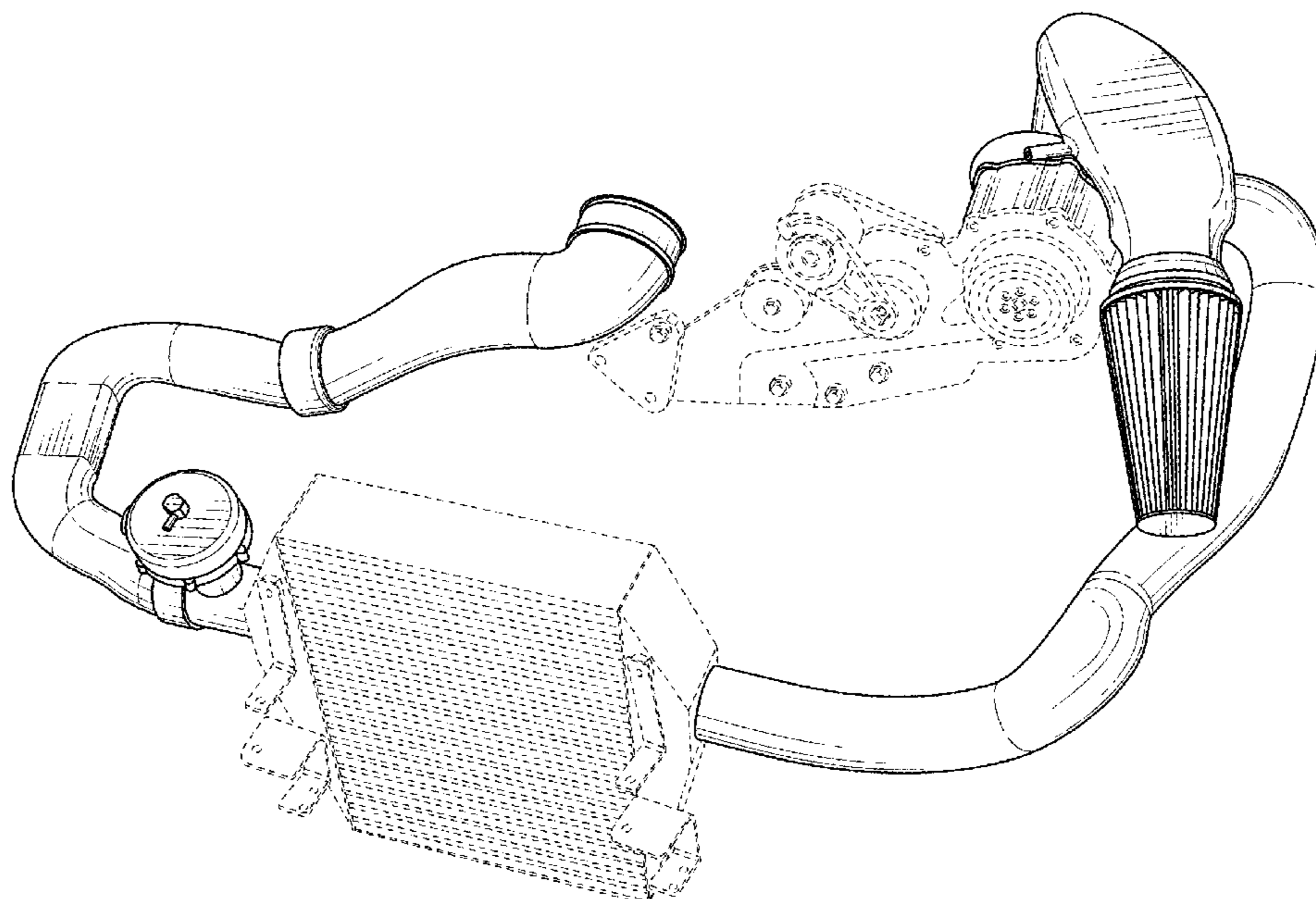
The broken lines shown in the drawings are for the purposes of illustrating portions of the article that form no part of the claimed design.

**1 Claim, 6 Drawing Sheets**

(56) **References Cited**

**U.S. PATENT DOCUMENTS**

- 8,439,019 B1 \* 5/2013 Carlson ..... F16H 7/20  
123/559.1
- 8,439,020 B1 \* 5/2013 Carlson ..... F02B 33/40  
123/559.1
- D808,436 S 1/2018 Hamburger et al.



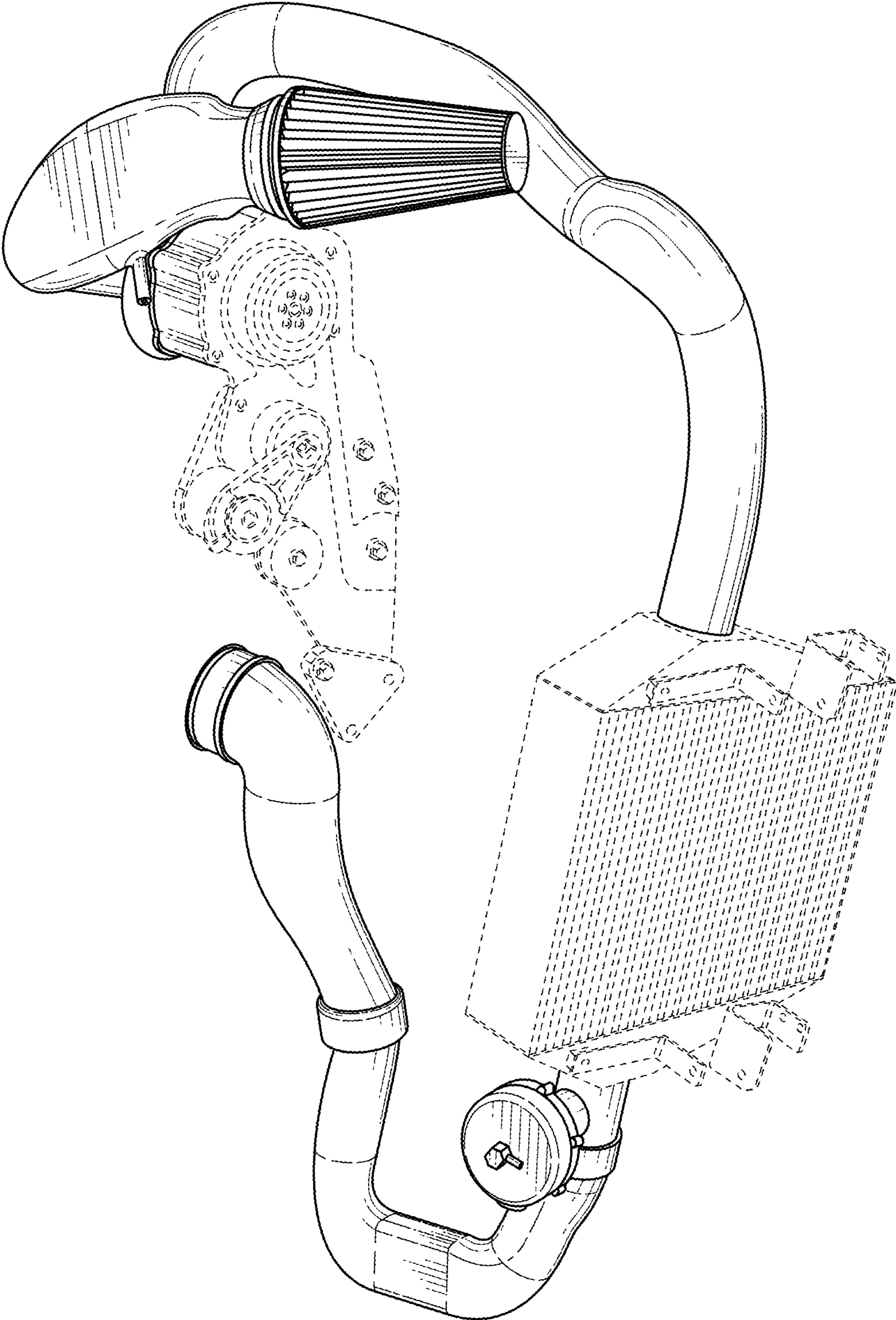


FIG. 1

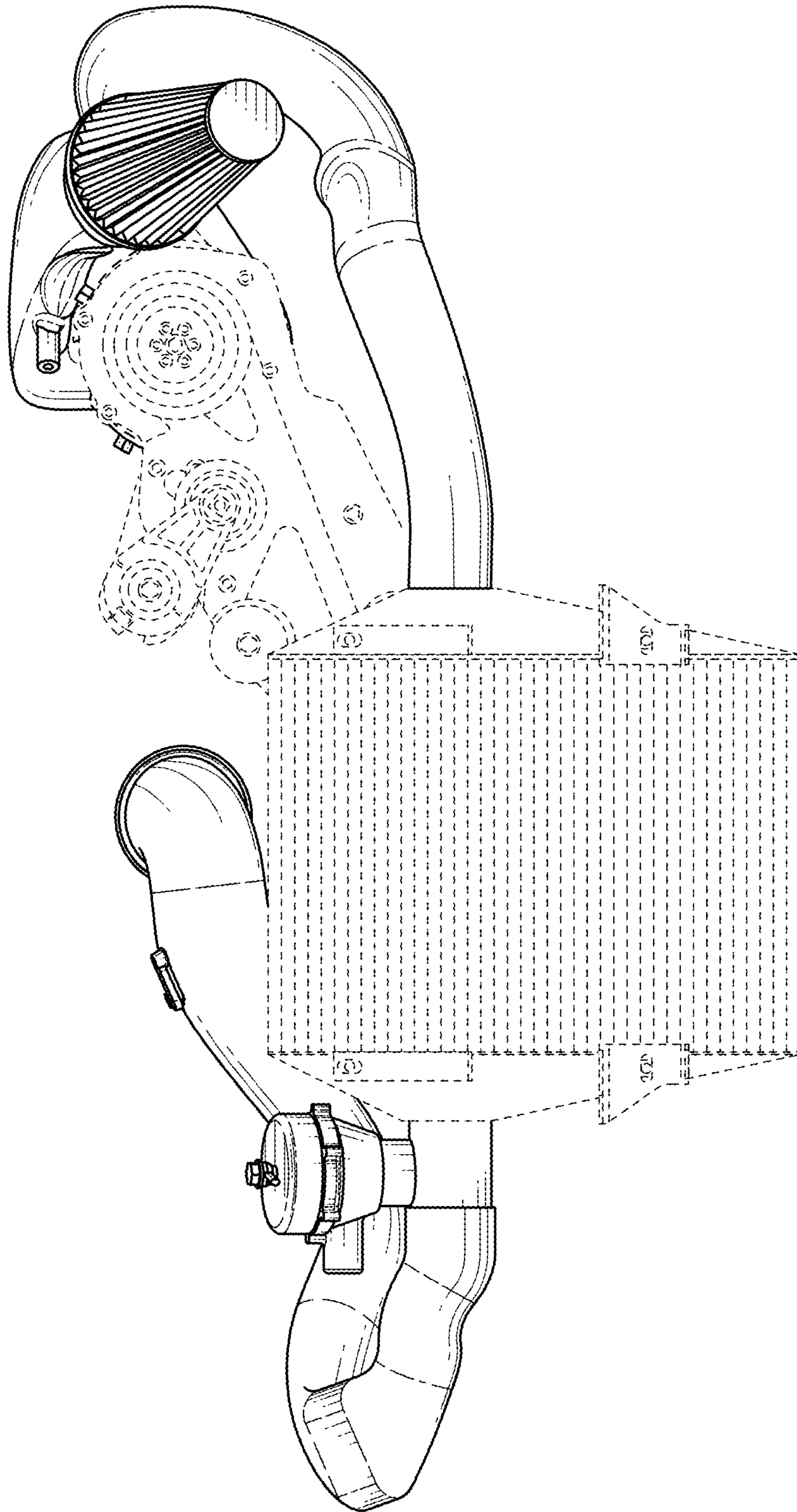


FIG. 2

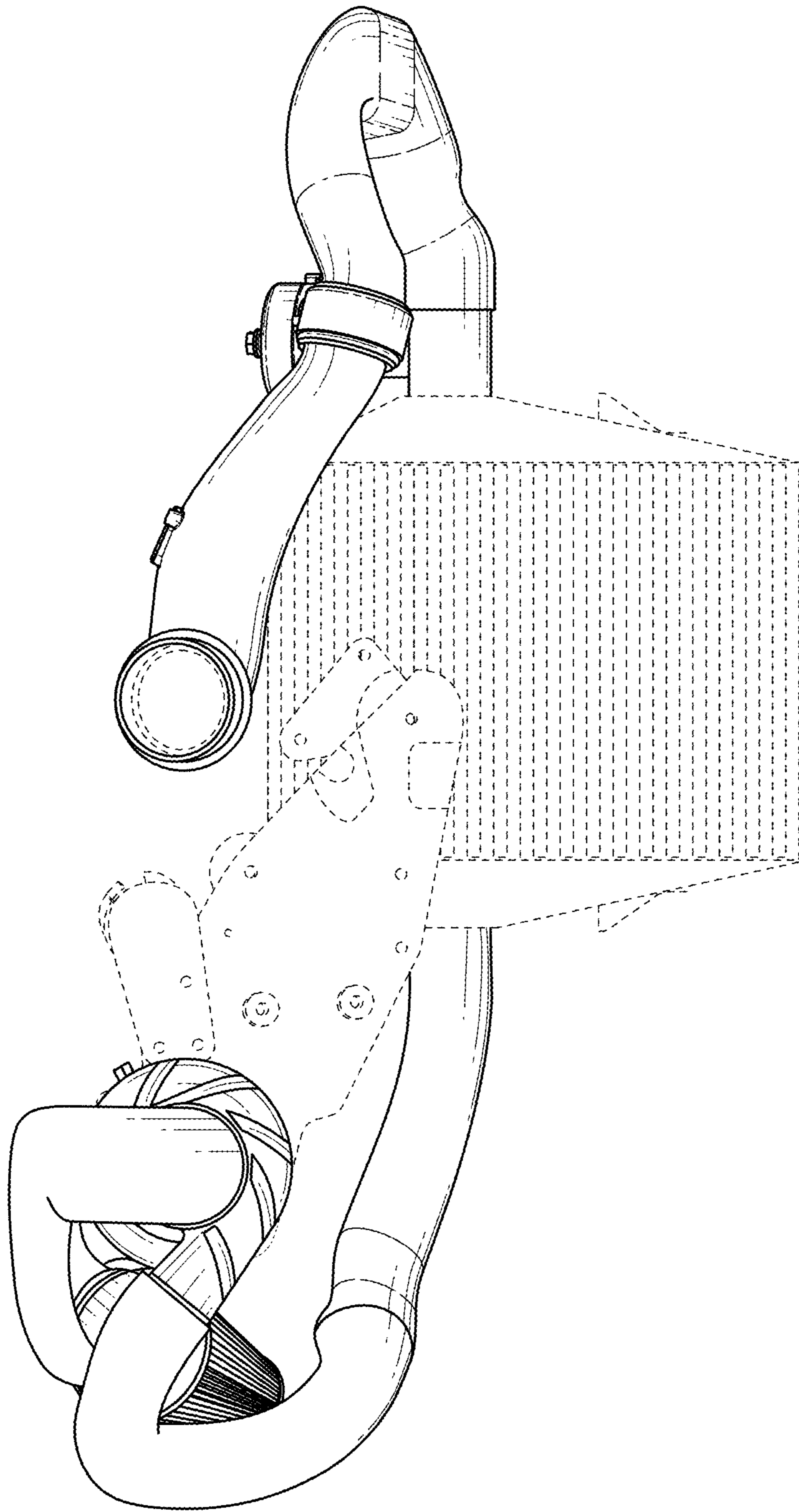


FIG. 3

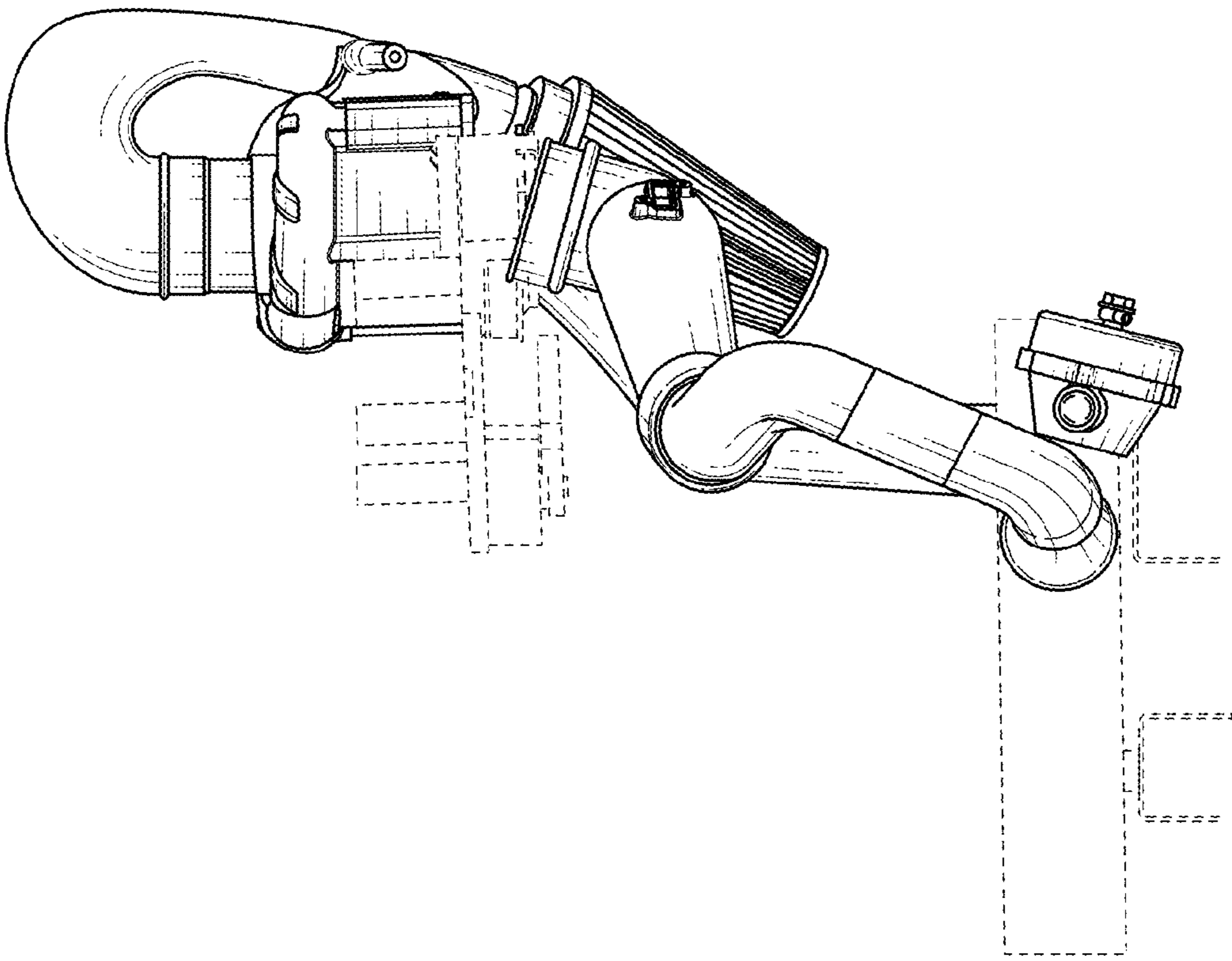


FIG. 4

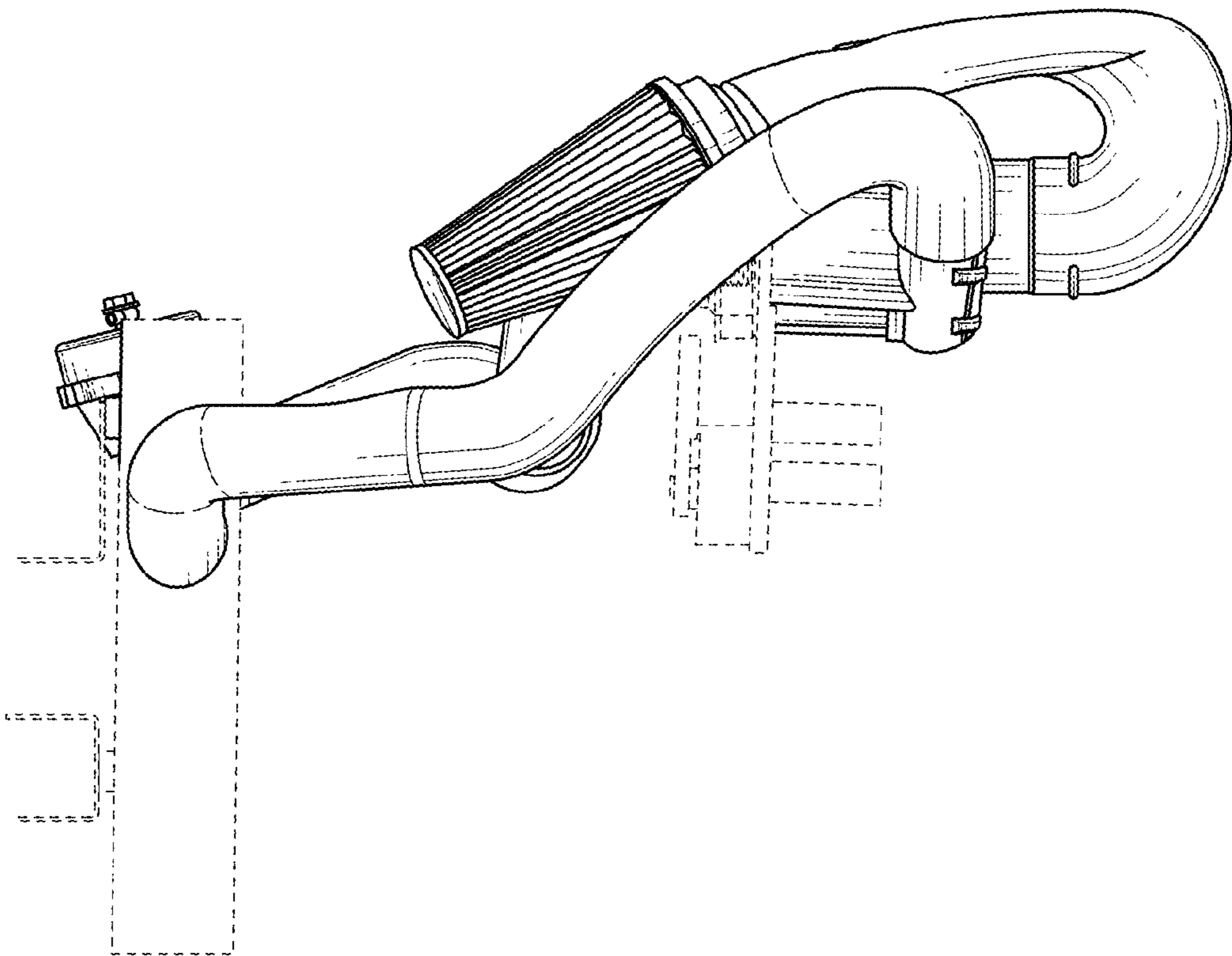


FIG. 5

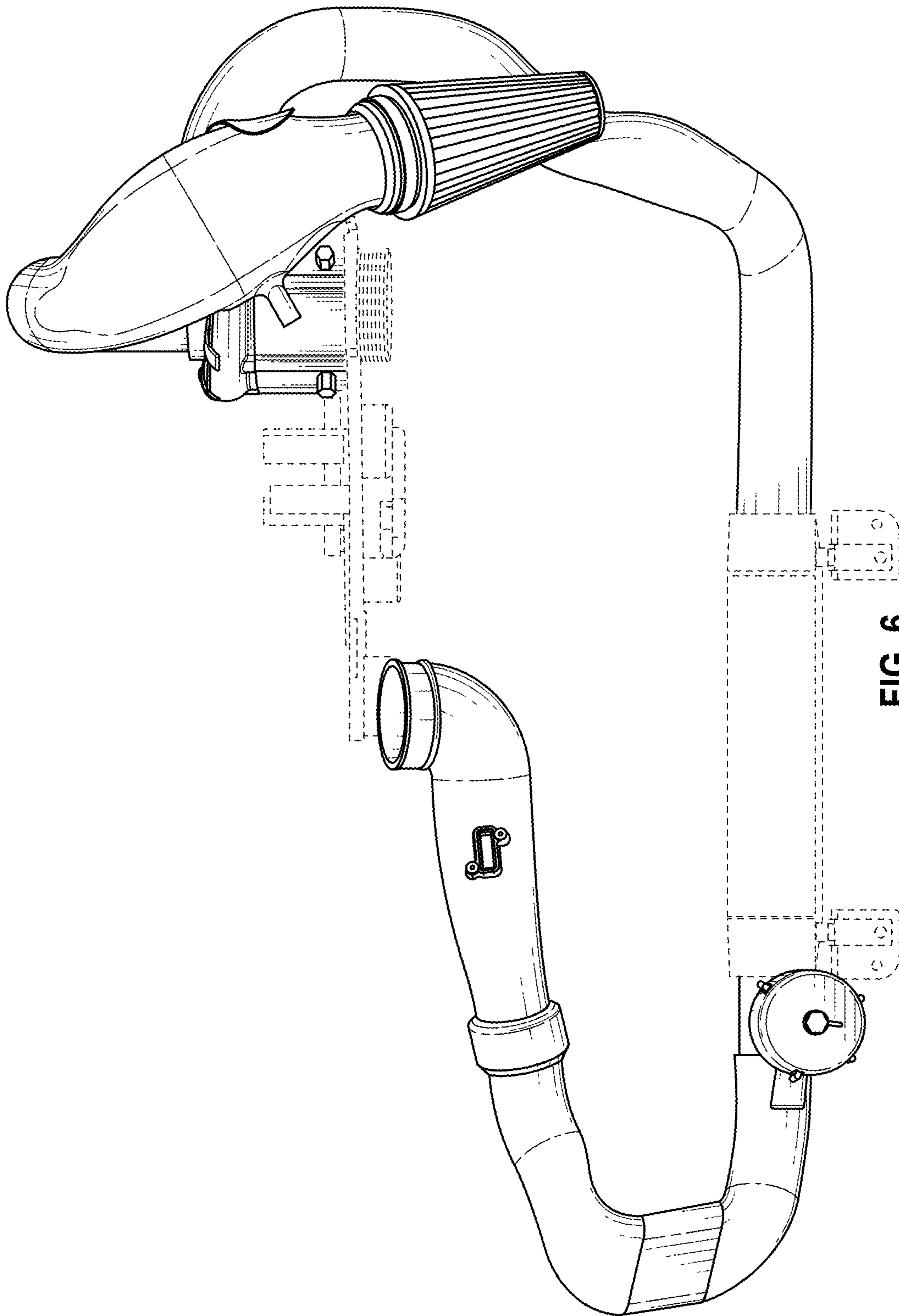


FIG. 6

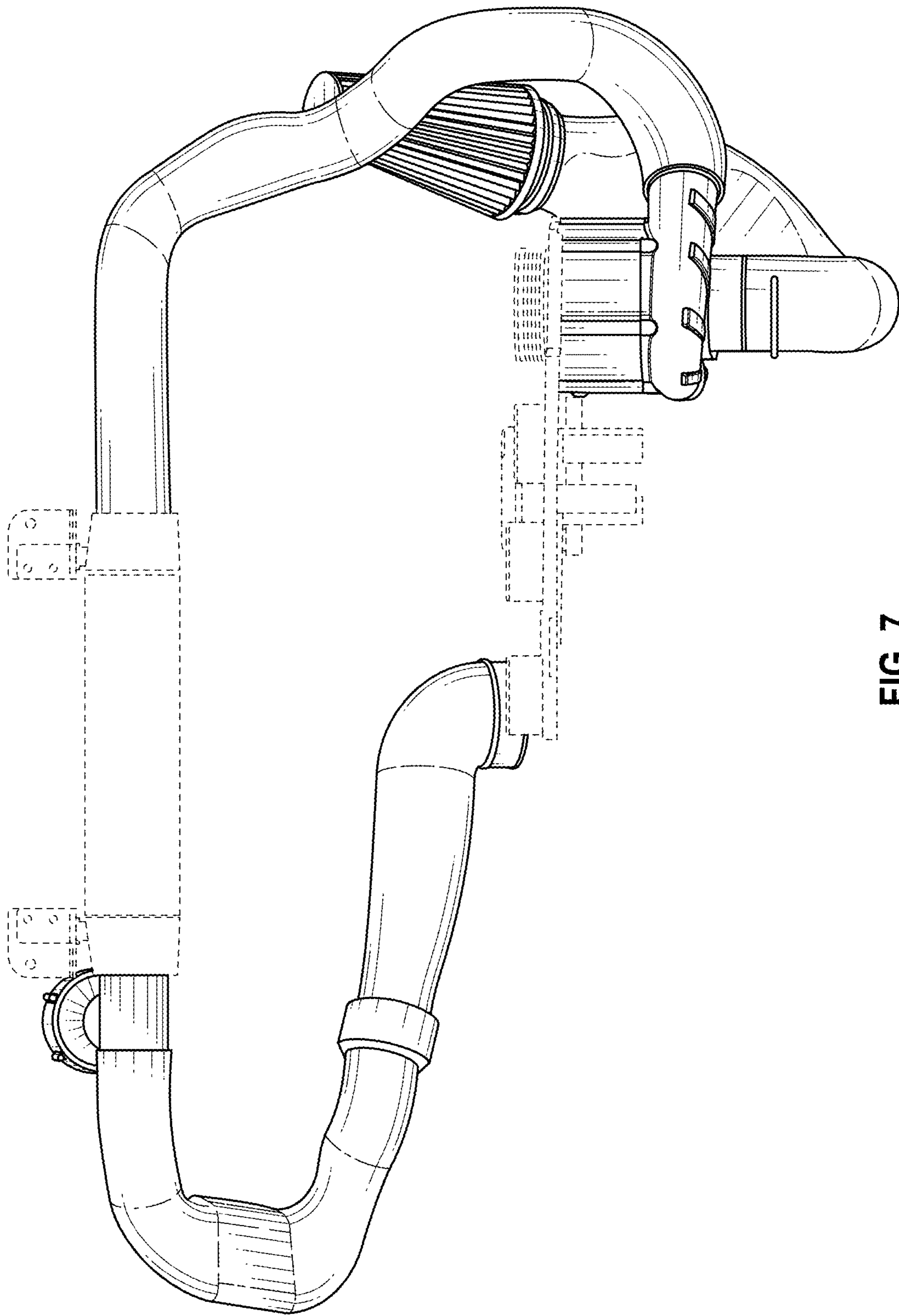


FIG. 7