



US00D872768S

(12) **United States Design Patent**  
**Morisawa et al.**

(10) **Patent No.:** **US D872,768 S**  
(45) **Date of Patent:** **\*\* Jan. 14, 2020**

(54) **ROBOT HAVING DISPLAY SCREEN WITH ANIMATED GRAPHICAL USER INTERFACE**

(71) Applicant: **Sony Corporation**, Tokyo (JP)

(72) Inventors: **Yujin Morisawa**, Tokyo (JP); **Kunihito Sawai**, Kanagawa (JP); **Kenichi Okada**, Tokyo (JP)

(73) Assignee: **SONY CORPORATION**, Tokyo (JP)

(\*\*) Term: **15 Years**

(21) Appl. No.: **29/558,627**

(22) Filed: **Mar. 18, 2016**

(30) **Foreign Application Priority Data**

Feb. 19, 2016 (JP) ..... D2016-003675

Feb. 19, 2016 (JP) ..... D2016-003676

(Continued)

(51) **LOC (12) Cl.** ..... **14-04**

(52) **U.S. Cl.**

USPC ..... **D14/494**; D14/492; D21/659; D15/199

(58) **Field of Classification Search**

USPC ..... D14/406, 356, 357, 203.1–203.7, 511, D14/217, 485, 488, 489, 494, 495, 496,

(Continued)

(56) **References Cited**

**U.S. PATENT DOCUMENTS**

D277,856 S \* 3/1985 Lewellen ..... D13/156

D301,005 S \* 5/1989 Waters ..... D21/578

(Continued)

**FOREIGN PATENT DOCUMENTS**

CN 303677271 \* 5/2016

CN 303677275 \* 5/2016

(Continued)

**OTHER PUBLICATIONS**

Dad Does (Youtube—Toy, Gadget & Product Reviews by Dad Does), “COJI Robot Review, Learn to Code with Emojis, Programming Robot from WowWee”, dated Aug. 23, 2016, <https://www.youtube.com/watch?v=9xJ2KHztJBk>, accessed Sep. 4, 2018, 2pgs. (Year: 2016).\*

*Primary Examiner* — Keli L Hill

(74) *Attorney, Agent, or Firm* — Michael Best and Friedrich LLP

(57) **CLAIM**

The ornamental design for a robot having display screen with animated graphical user interface, as shown and described.

**DESCRIPTION**

FIG. 1 is a front view of a robot having display screen with animated graphical user interface showing a first image of a sequence, according to a first embodiment of our new design;

FIG. 2 is a right side elevational view thereof, a left side elevational view thereof being a mirror image; and

FIG. 3 is a top plan view thereof;

FIG. 4 is a top and front perspective view thereof, as viewed toward the face of the display screen of FIG. 2;

FIG. 5 is a top and front perspective view of a second image thereof;

FIG. 6 is a top and front perspective view of a third image thereof; and

FIG. 7 is a top and front perspective view of a fourth image thereof.

FIG. 8 is a front view of a robot having display screen with animated graphical user interface showing a first image of a sequence, according to a second embodiment of our new design;

FIG. 9 is a right side elevational view thereof, a left side elevational view thereof being a mirror image; and

FIG. 10 is a top plan view thereof;

FIG. 11 is a perspective view thereof as viewed toward the face of the display screen of FIG. 9;

FIG. 12 is a top and front perspective view of a second image thereof;

(Continued)

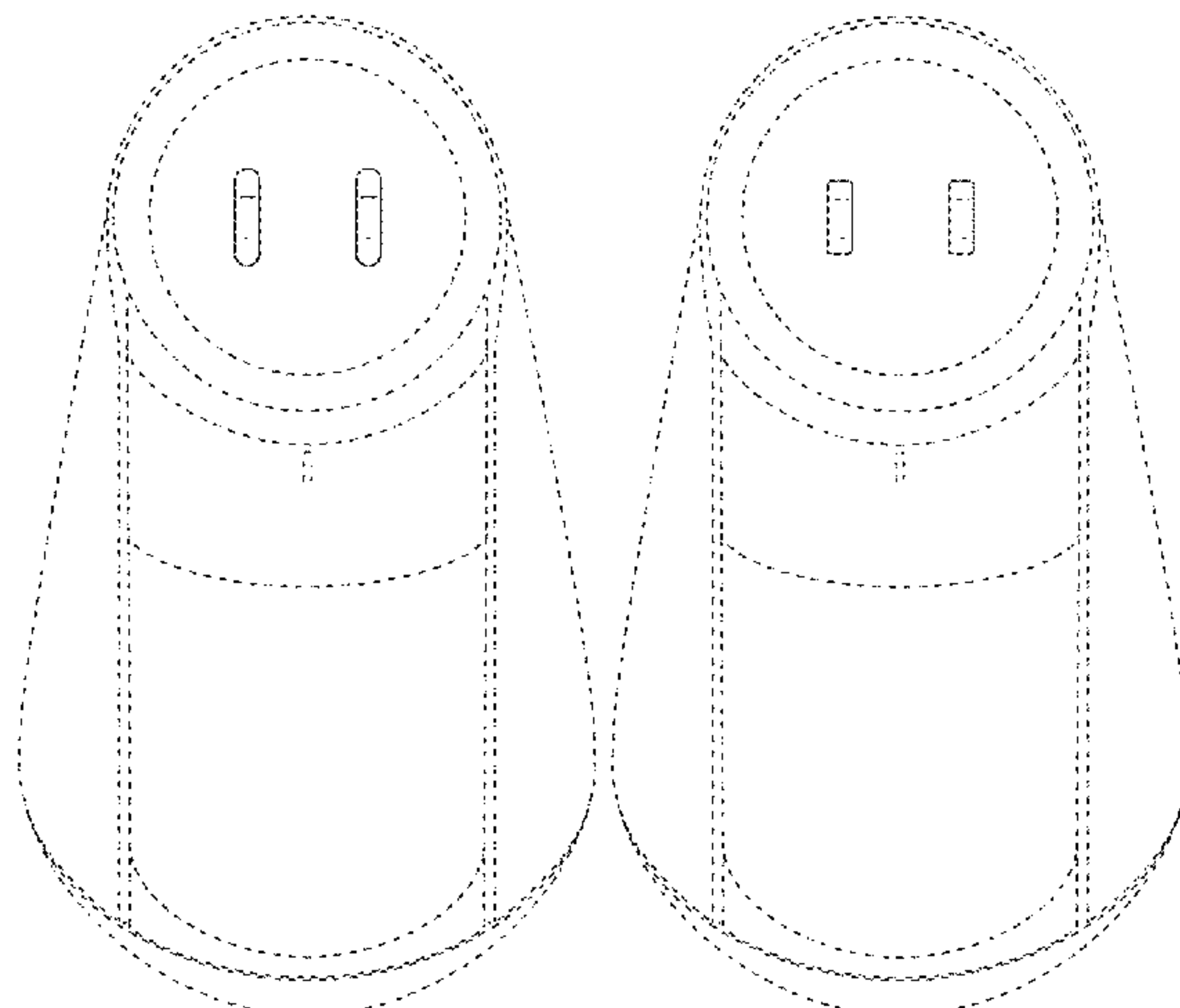


FIG. 13 is a top and front perspective view of a third image thereof; and

FIG. 14 is a top and front perspective view of a fourth image thereof.

FIG. 15 is a front view of a robot having display screen with animated graphical user interface showing a first image of a sequence, according to a third embodiment of our new design;

FIG. 16 is a right side elevational view thereof, a left side elevational view thereof being a mirror image; and

FIG. 17 is a top plan view thereof.

FIG. 18 is a top and front perspective view thereof as viewed toward the face of the display screen of FIG. 16;

FIG. 19 is a top and front perspective view of a second image thereof;

FIG. 20 is a top and front perspective view of a third image thereof; and,

FIG. 21 is a top and front perspective view of a fourth image thereof.

The broken lines shown immediately surrounding the animated graphical user interface illustrate the display screen, while all other broken lines are included for the purpose of illustrating portions of the robot; the broken lines form no part of the claimed design.

The appearance of the animated graphical user interface sequentially transitions between the images shown in FIGS. 4-7, FIGS. 11-14 and FIGS. 18-21 respectively. The process or period in which an image transitions to another forms no part of the claimed design.

**1 Claim, 12 Drawing Sheets**

(30) **Foreign Application Priority Data**

- Feb. 19, 2016 (JP) ..... D2016-003677
- Feb. 19, 2016 (JP) ..... D2016-003678
- Feb. 19, 2016 (JP) ..... D2016-003679
- Feb. 19, 2016 (JP) ..... D2016-003680

(58) **Field of Classification Search**

- USPC ..... D14/207, 189, 218; 700/245, 259, 264; 318/568.11, 568.12, 568.2, 567, 568.25; 448/26-28, 83, 234, 243, 368, 269; 446/26-28, 83, 234, 243, 368, 269, 175; 463/1, 29; 382/153; 901/1, 46, 47, 50; 706/45-61; D21/576-579, 621, 622, 659, D21/661; D15/199; D20/111
- CPC ..... B25J 13/00; B25J 11/0015; B25J 19/02; B25J 19/027; B25J 5/00; B25J 9/00; B25J 9/044; B25J 9/102; B60H 1/00; G06F 3/048; G06F 3/0481; G06F 3/0482; G06F 3/04812; G06F 3/04817; G06F 3/0485

See application file for complete search history.

(56) **References Cited**

U.S. PATENT DOCUMENTS

- 5,158,493 A \* 10/1992 Morgrey ..... B62D 57/02 180/8.6
- 5,399,115 A \* 3/1995 Arad ..... A63H 3/40 446/342
- D467,630 S \* 12/2002 Kawakita ..... D21/578

- 6,507,773 B2 \* 1/2003 Parker ..... G06N 3/008 318/568.11
- D500,099 S \* 12/2004 Gioffre ..... D21/515
- 6,925,358 B2 \* 8/2005 Chiu ..... G05D 1/0229 318/568.11
- D549,756 S \* 8/2007 Park ..... D15/199
- 7,418,312 B2 \* 8/2008 Hidai ..... B62D 57/032 318/568.12
- D639,353 S \* 6/2011 Stibolt ..... D21/578
- 8,019,145 B2 \* 9/2011 Asatani ..... B62D 57/032 318/568.1
- D667,898 S \* 9/2012 Gettings ..... D15/199
- 8,346,390 B2 \* 1/2013 Ruan ..... B25J 5/007 180/252
- D687,907 S \* 8/2013 Hoang ..... D15/199
- D688,329 S \* 8/2013 Vinh Hoang ..... D15/199
- 8,583,287 B2 \* 11/2013 Kase ..... A63H 30/04 700/259
- D701,256 S \* 3/2014 Song ..... D15/199
- D710,953 S \* 8/2014 Katsutani ..... D15/199
- 8,892,250 B2 \* 11/2014 Ha ..... B25J 9/008 318/568.11
- D720,378 S \* 12/2014 Dye ..... D15/199
- 8,914,139 B2 \* 12/2014 Badavne ..... A63H 3/28 180/7.1
- D726,836 S \* 4/2015 Song ..... D15/199
- D746,886 S \* 1/2016 Breazeal ..... D15/199
- D762,705 S \* 8/2016 Murillo ..... D14/488
- D764,548 S \* 8/2016 Gagnier ..... D14/494
- D765,733 S \* 9/2016 Gagnier ..... D14/494
- D800,744 S \* 10/2017 Jitkoff ..... D14/485
- D801,449 S \* 10/2017 Forti ..... D21/661
- D803,870 S \* 11/2017 Landry ..... D14/488
- 9,873,200 B2 \* 1/2018 Song ..... B25J 11/001
- D811,492 S \* 2/2018 Rehkemper ..... D21/578
- D811,496 S \* 2/2018 Belker ..... D21/659
- D812,154 S \* 3/2018 Belker ..... D21/659
- D813,272 S \* 3/2018 Park ..... D14/492
- D813,281 S \* 3/2018 Kittmann ..... D15/199
- D813,285 S \* 3/2018 Wei ..... D15/199
- D822,740 S \* 7/2018 Tsai ..... D15/199
- D822,770 S \* 7/2018 Hsiao ..... D21/578
- D824,978 S \* 8/2018 Amino ..... D15/199
- D825,010 S \* 8/2018 Osentoski ..... D21/578
- D825,588 S \* 8/2018 Hashimoto ..... D14/485
- D835,136 S \* 12/2018 Ross ..... D14/486
- D836,722 S \* 12/2018 Worrall ..... D20/11
- D837,906 S \* 1/2019 Christensen ..... D21/659
- D838,758 S \* 1/2019 Kymm ..... D15/199
- D839,333 S \* 1/2019 Chao ..... D15/199
- D843,498 S \* 3/2019 Clerc ..... D21/578
- D846,598 S \* 4/2019 Wang ..... D14/496
- 2005/0222713 A1 \* 10/2005 Kawabe ..... B25J 19/027 700/259
- 2007/0192910 A1 \* 8/2007 Vu ..... B25J 5/007 700/245
- 2008/0009975 A1 \* 1/2008 Nakamoto ..... G05D 1/0246 700/259
- 2008/0263164 A1 \* 10/2008 Portele ..... H04M 1/72552 709/206
- 2012/0209433 A1 \* 8/2012 Paz Rodriguez ..... B25J 5/007 700/259
- 2013/0123987 A1 \* 5/2013 Kase ..... A63H 30/04 700/259
- 2015/0002770 A1 \* 1/2015 Kataoka ..... G02F 1/133707 349/33
- 2015/0295315 A1 \* 10/2015 Tanaka ..... H01Q 1/3241 343/788
- 2019/0103849 A1 \* 4/2019 Shaya ..... H04R 29/001

FOREIGN PATENT DOCUMENTS

- CN 303692121 \* 6/2016
- CN 303662298 \* 7/2016
- CN 303739635 \* 7/2016

\* cited by examiner



FIG.1

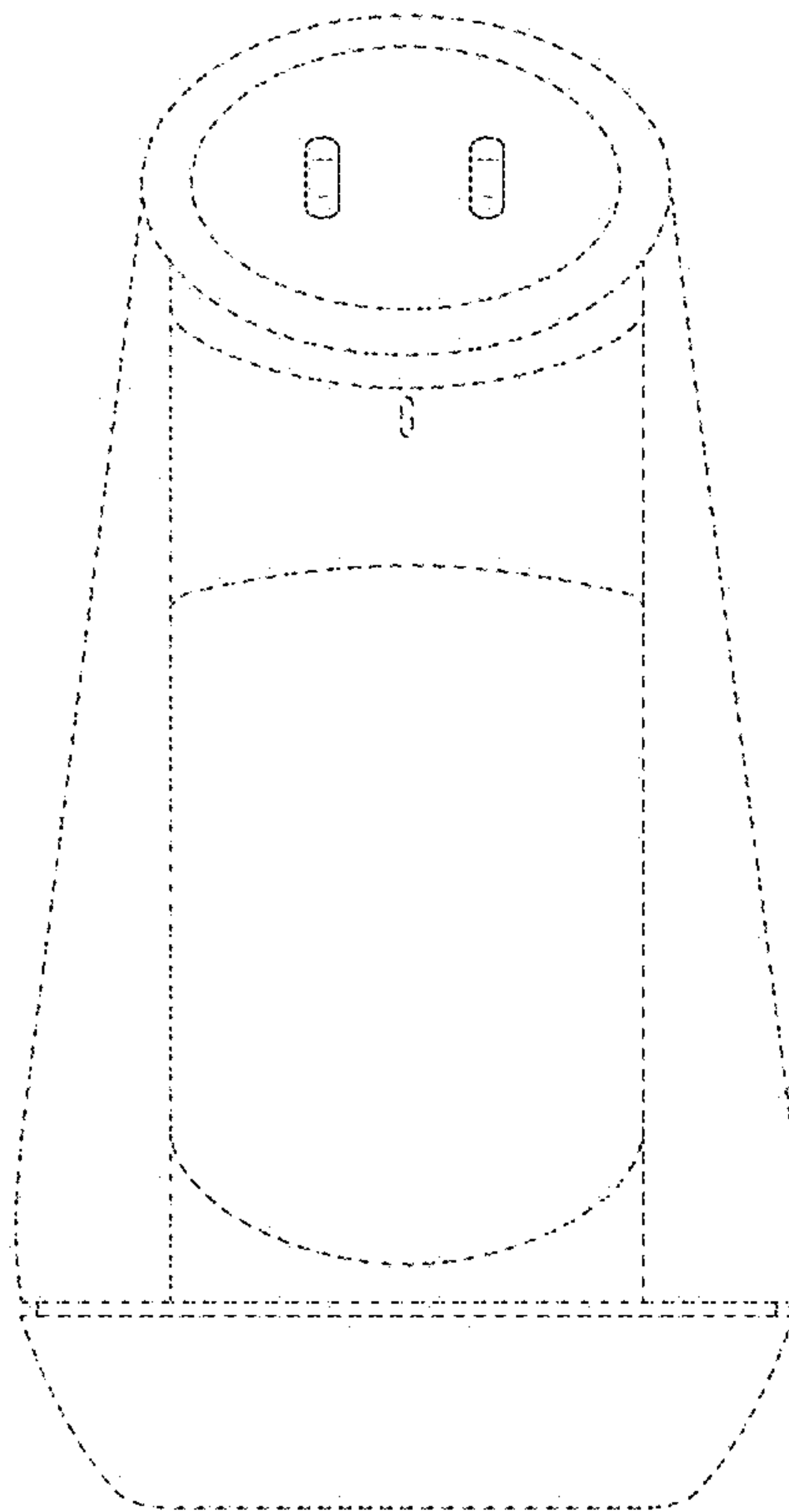


FIG.2

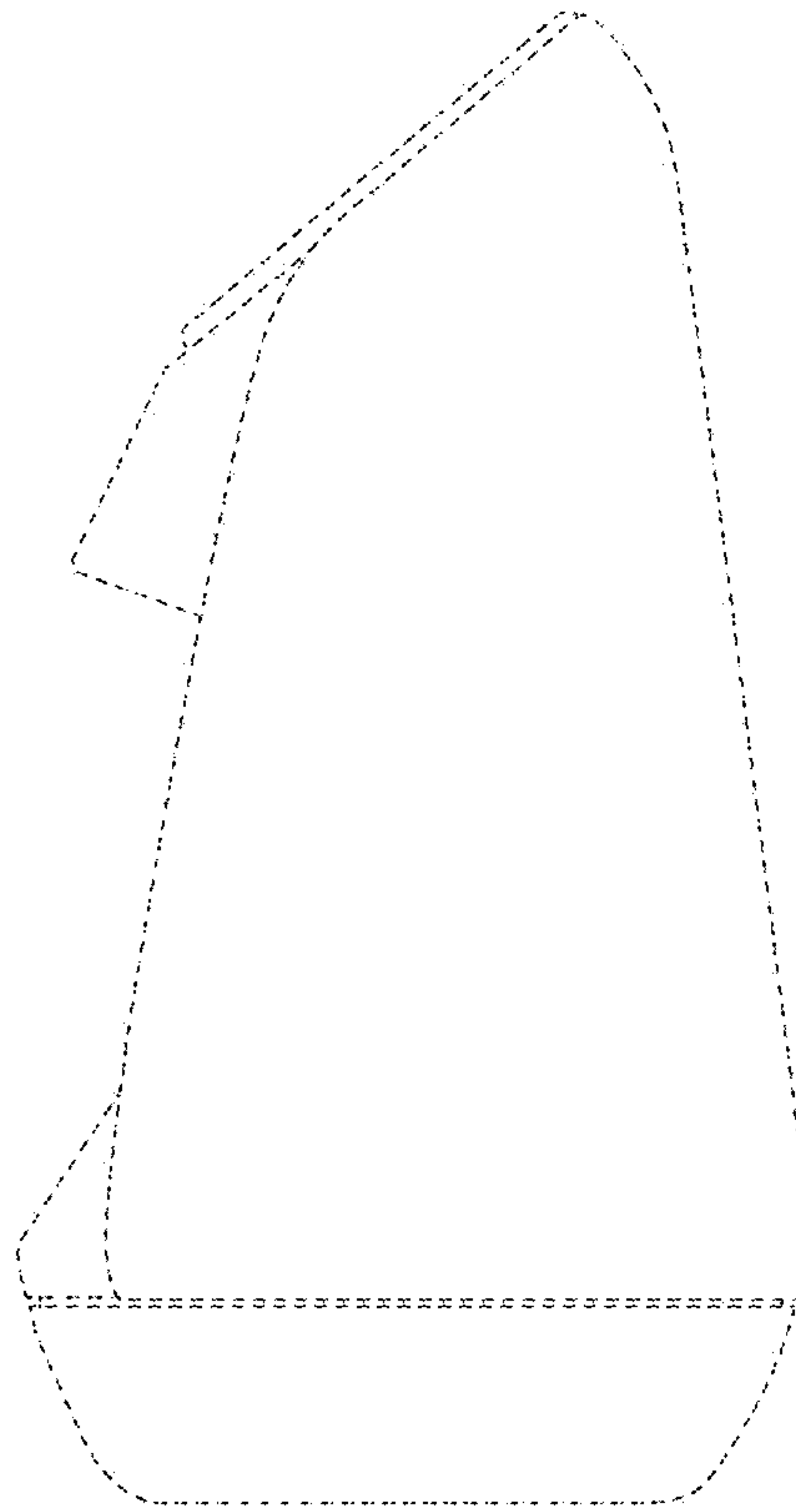


FIG.3

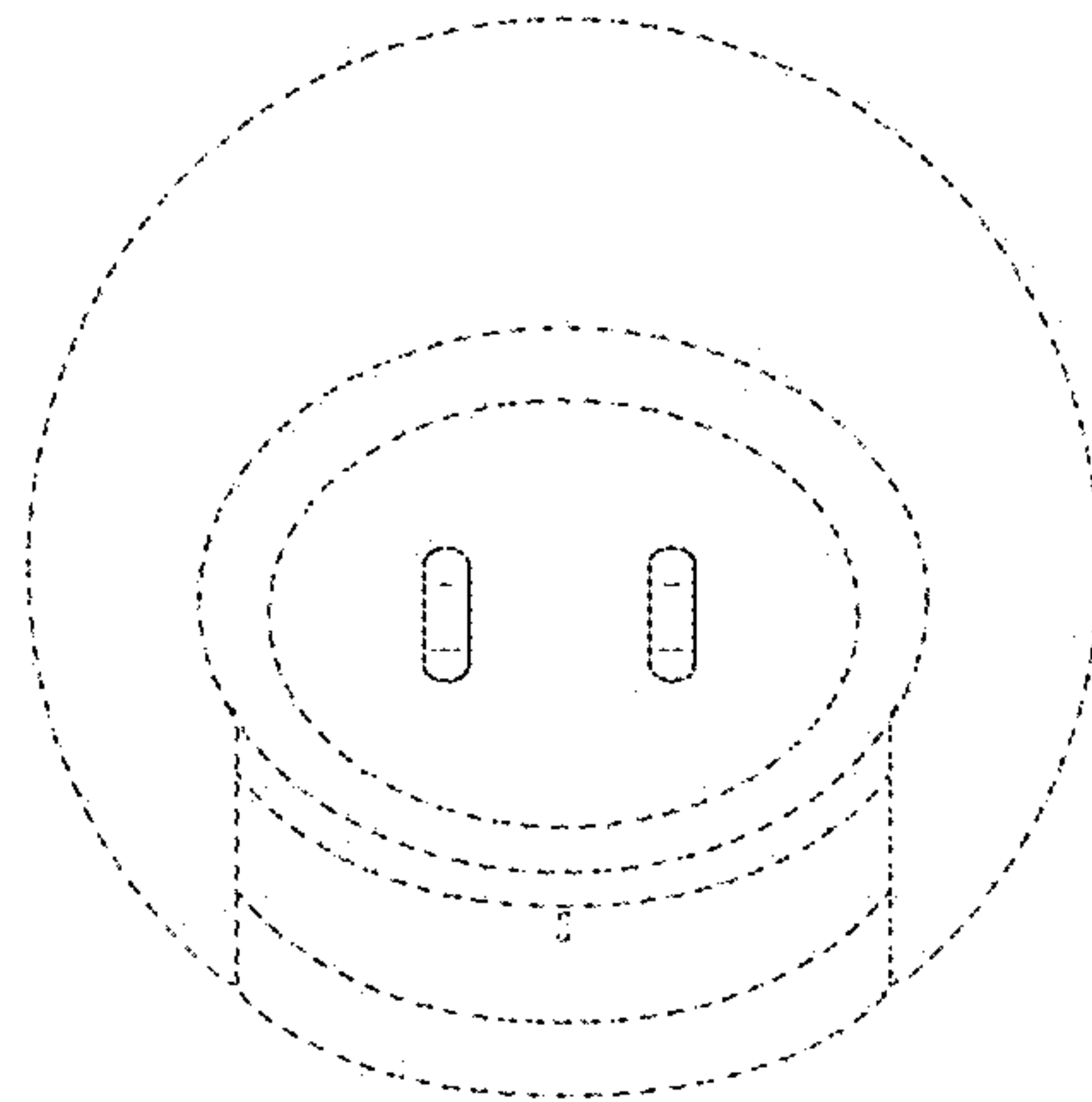


FIG.4

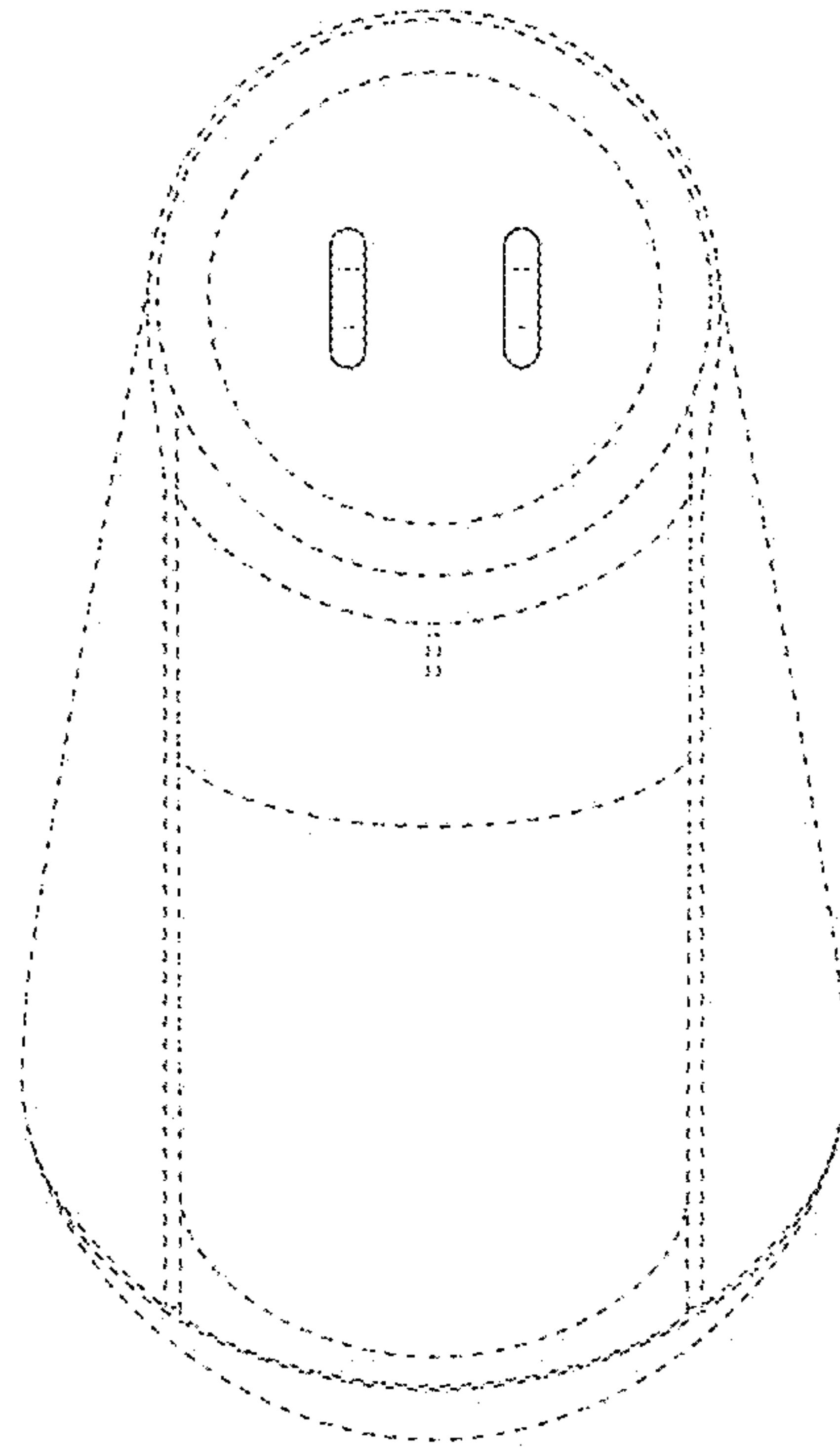


FIG.5

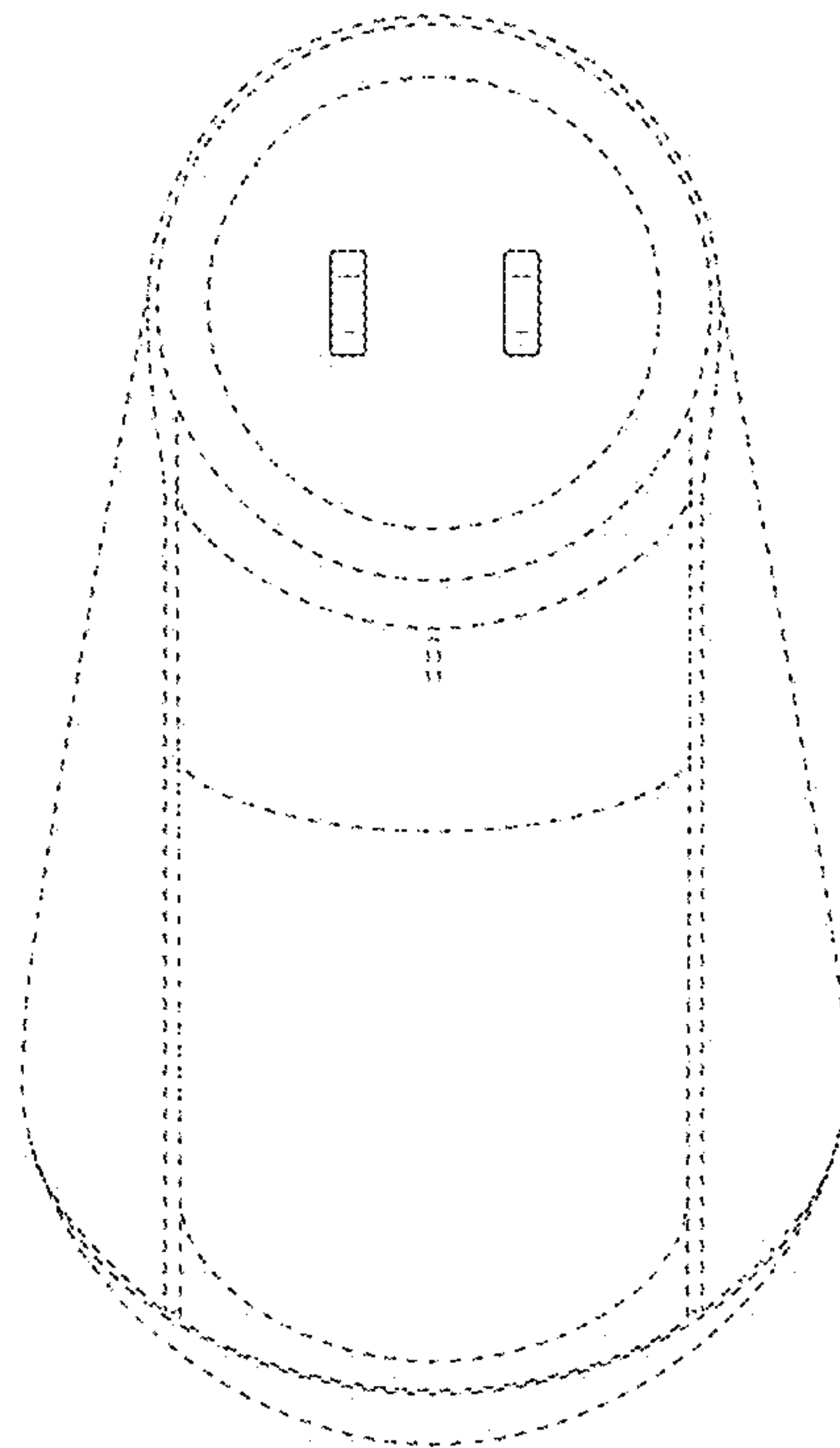


FIG.6

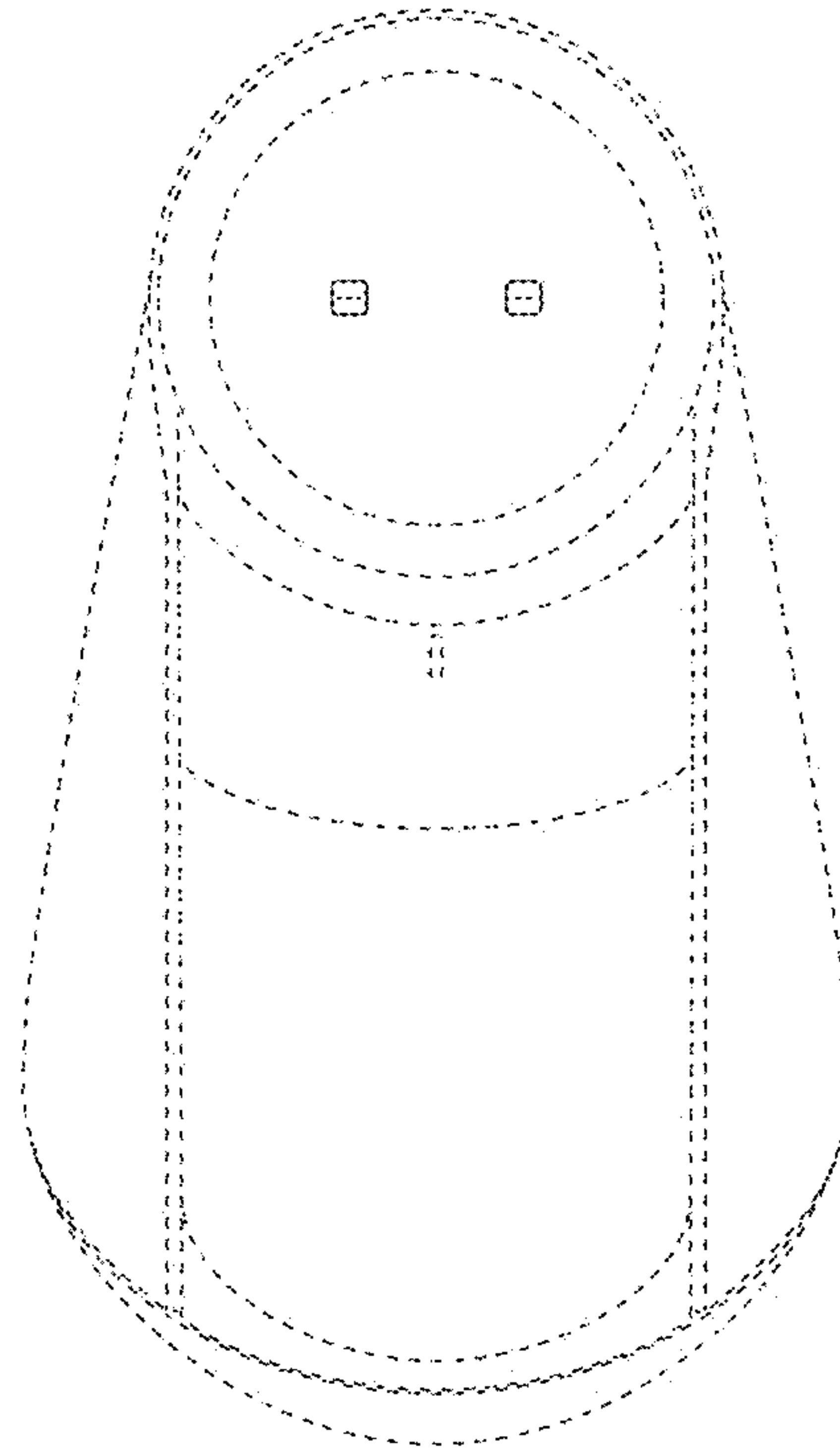


FIG.7

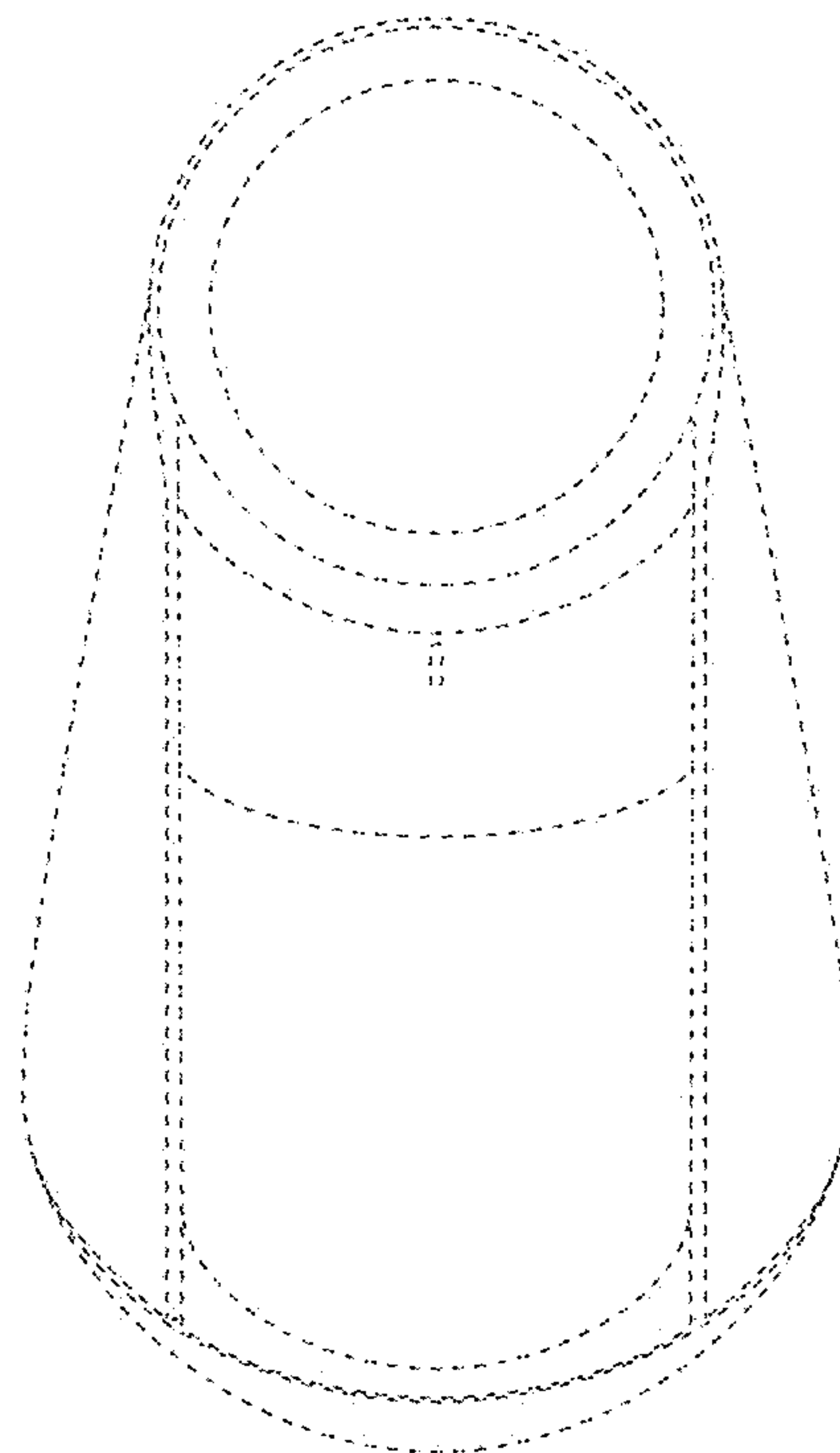


FIG.8

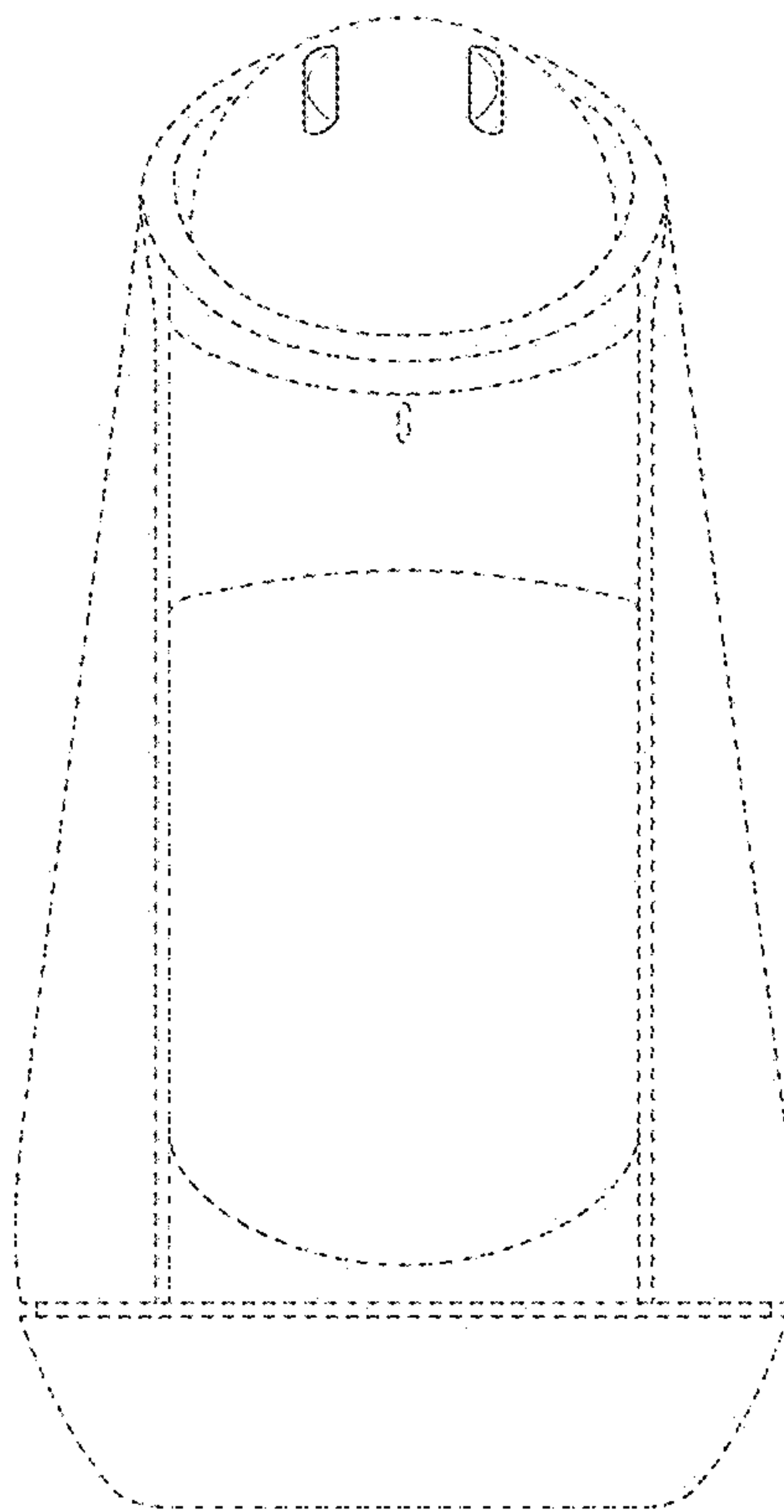


FIG.9

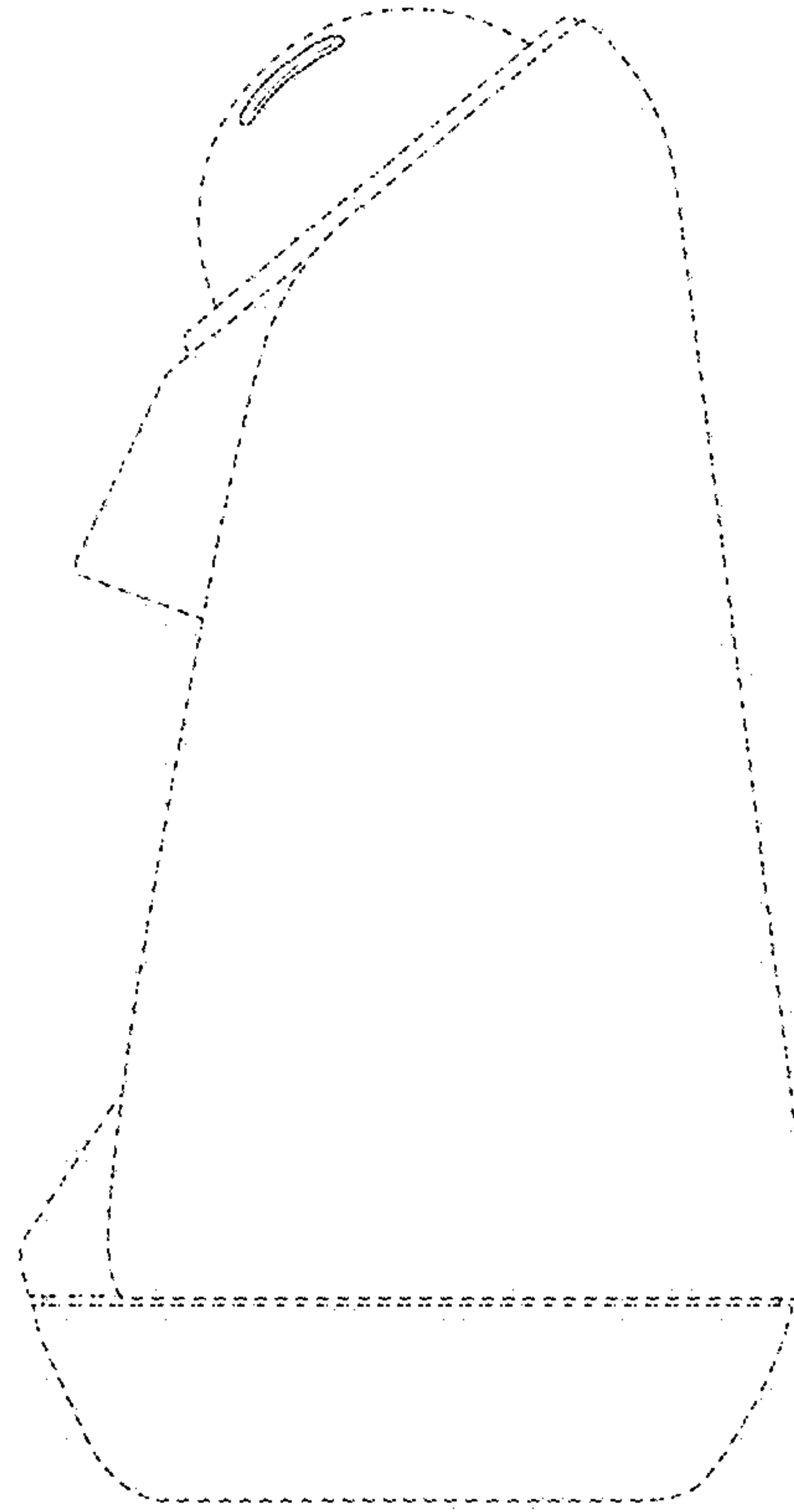


FIG.10

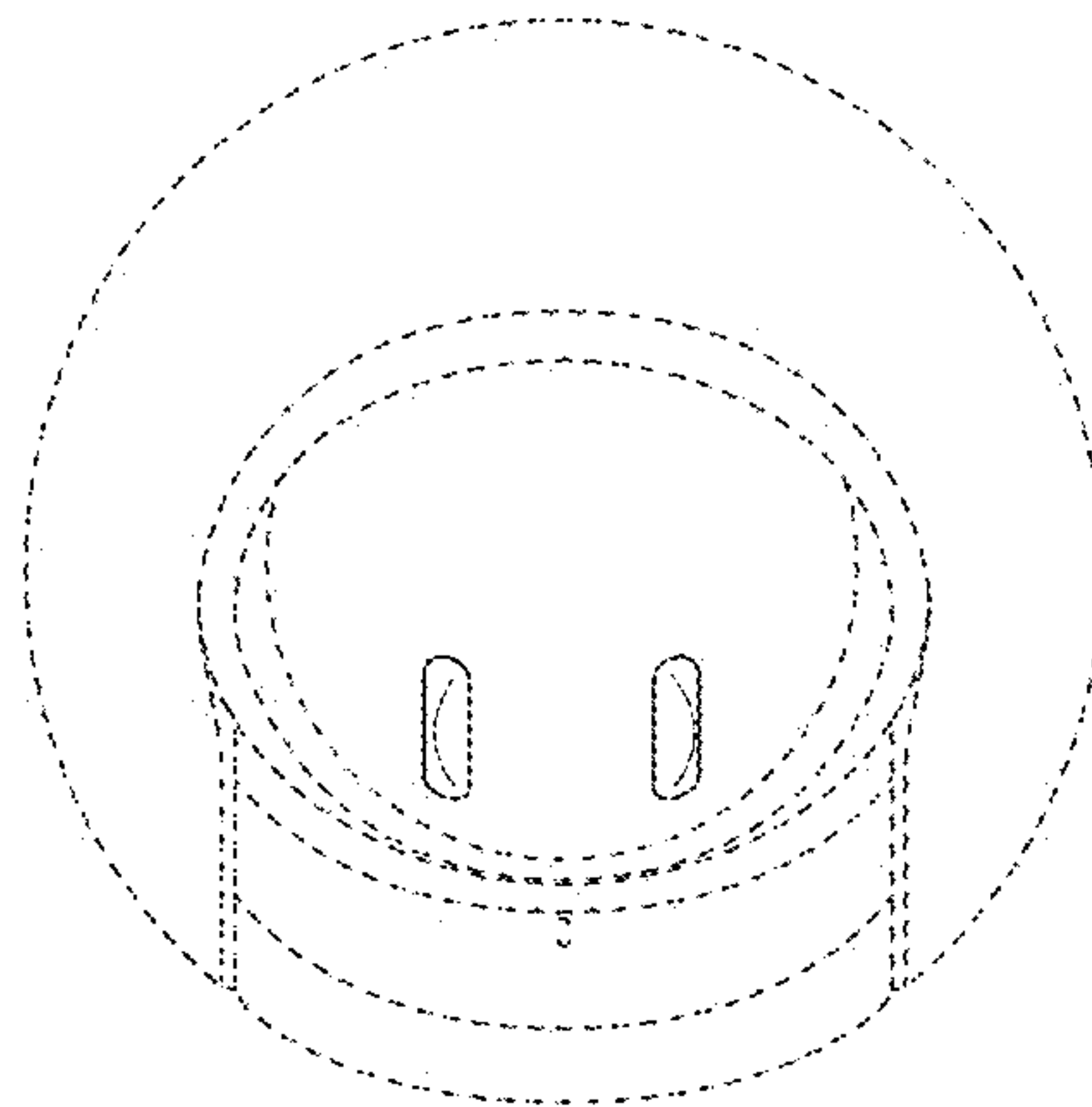




FIG.11

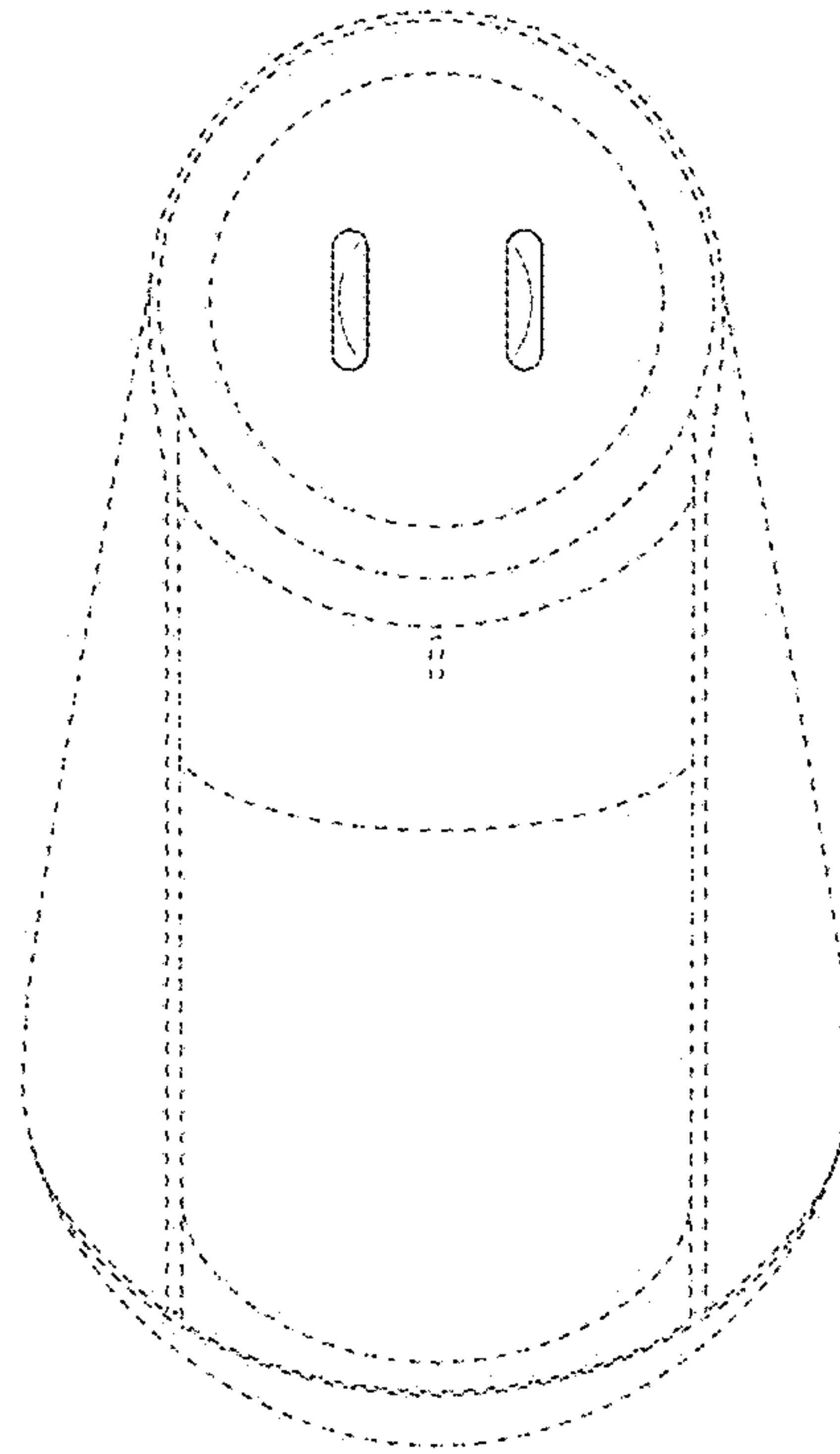


FIG.12

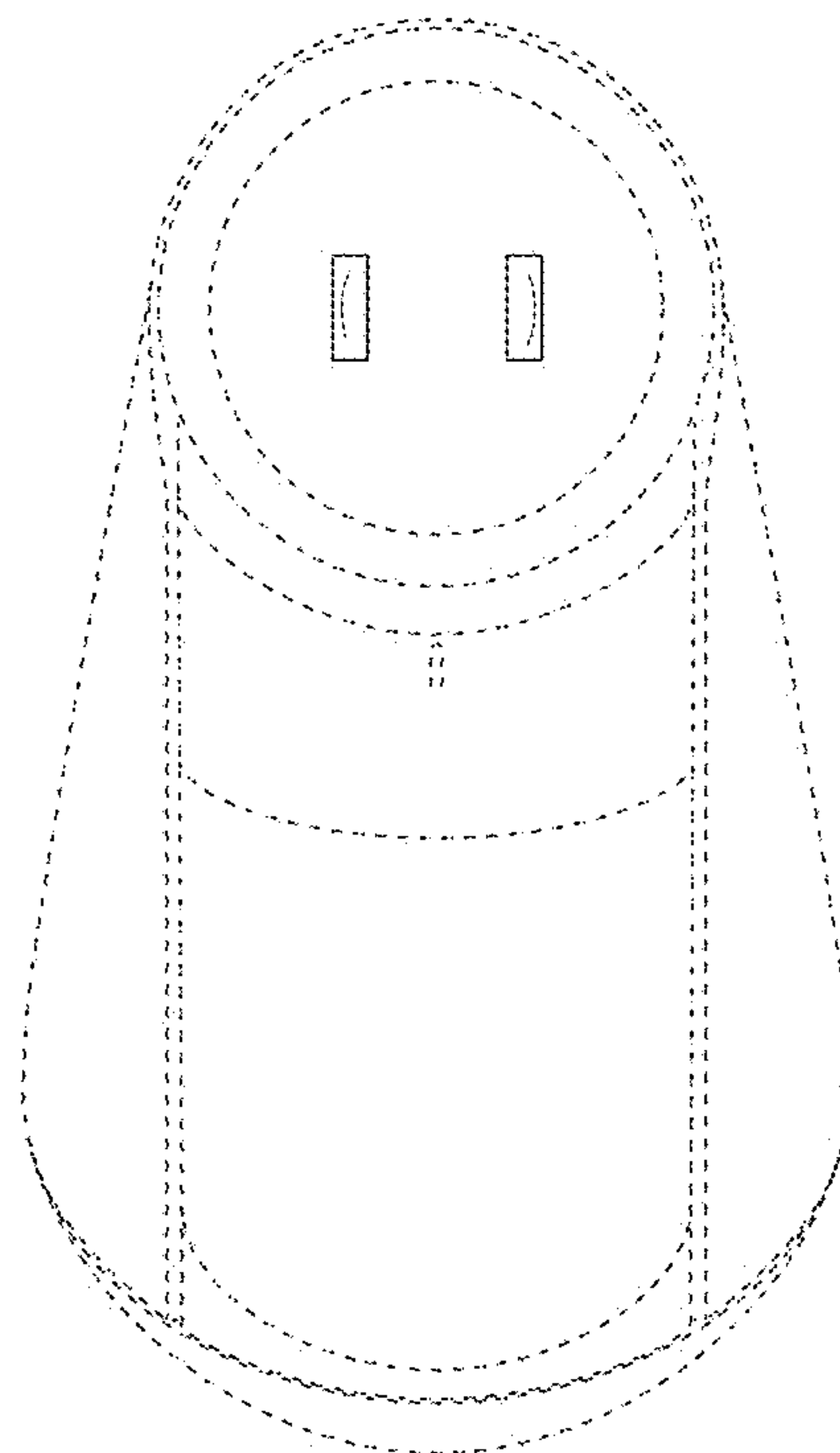


FIG.13

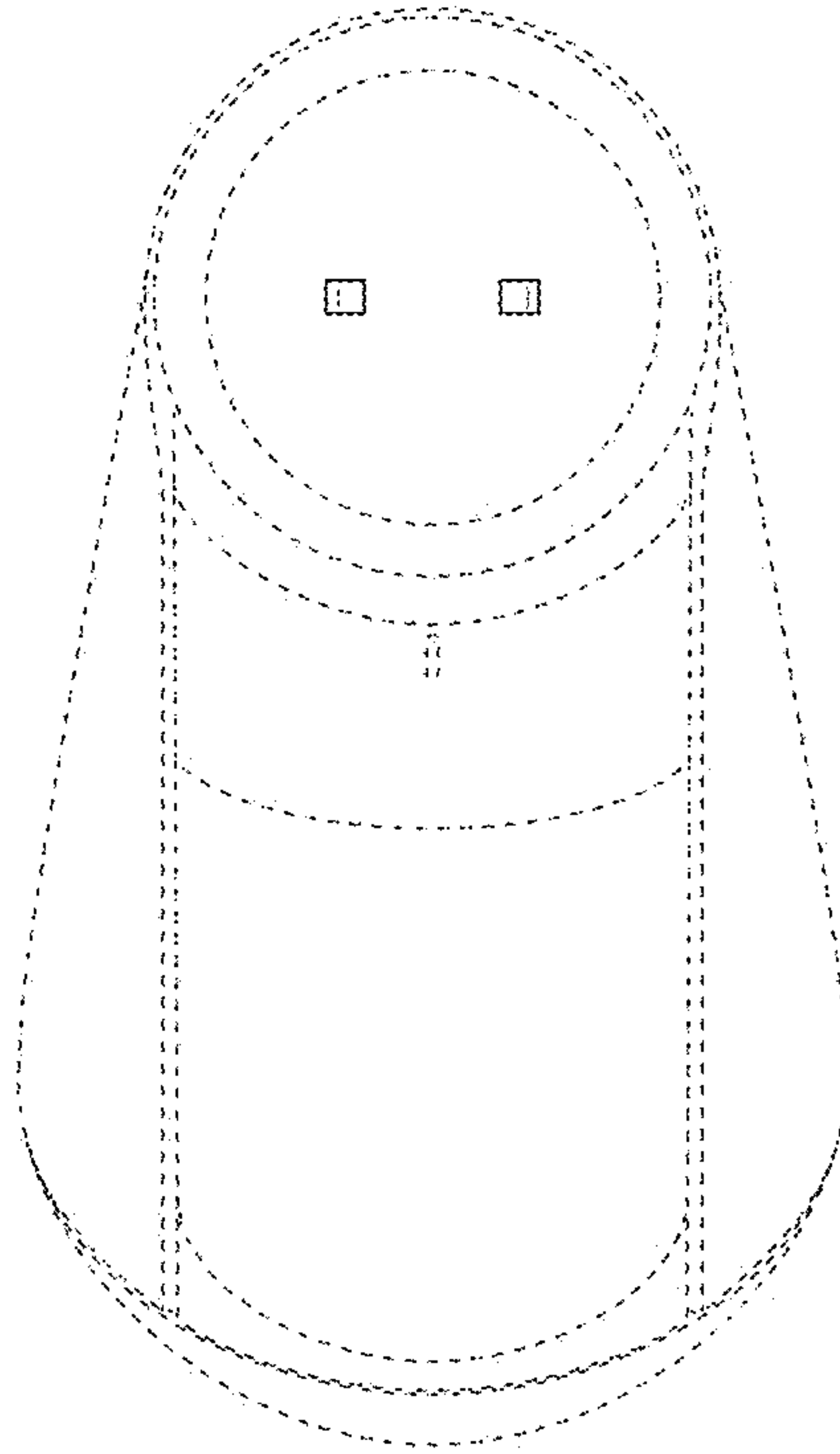


FIG.14

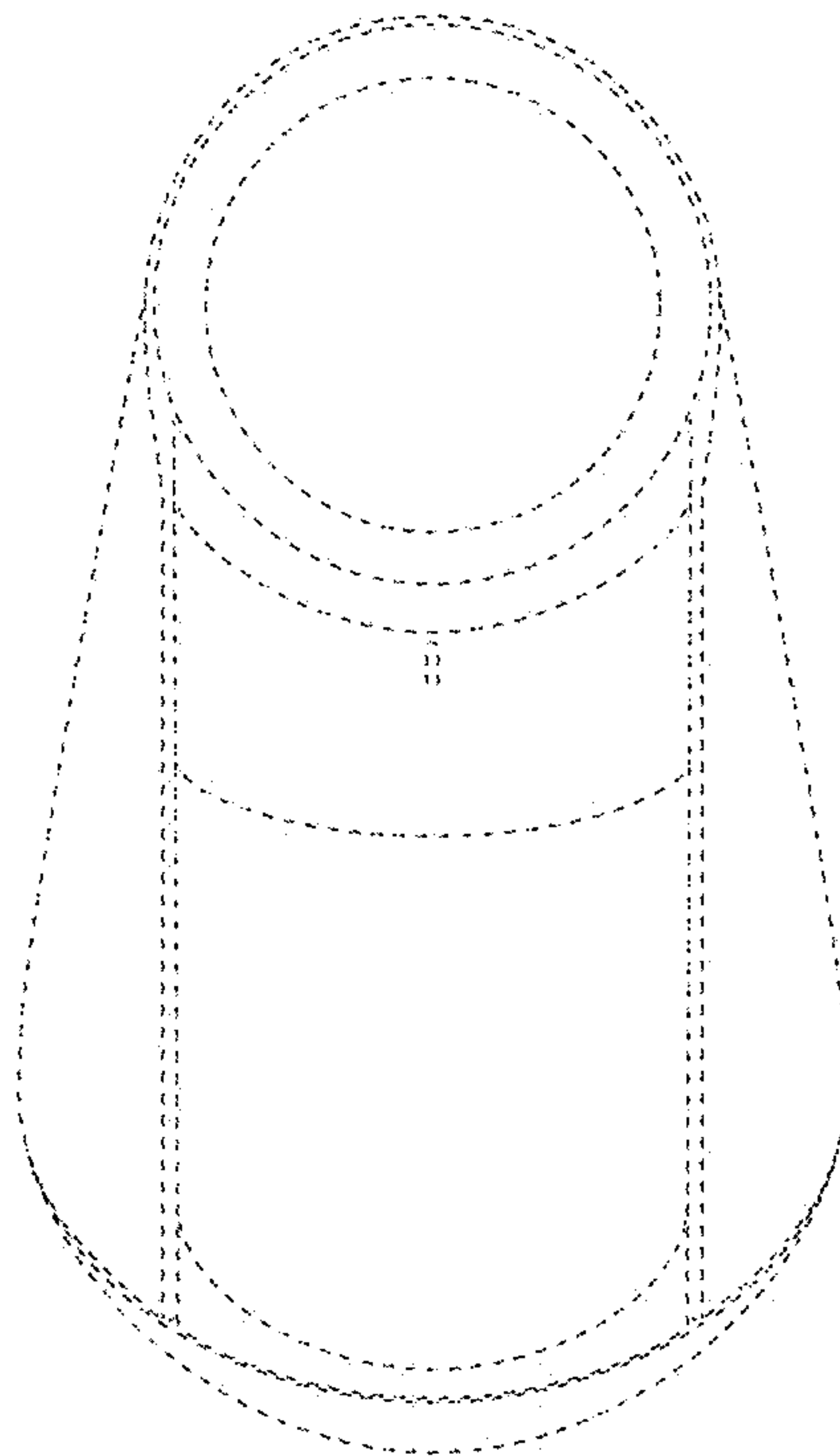


FIG. 15

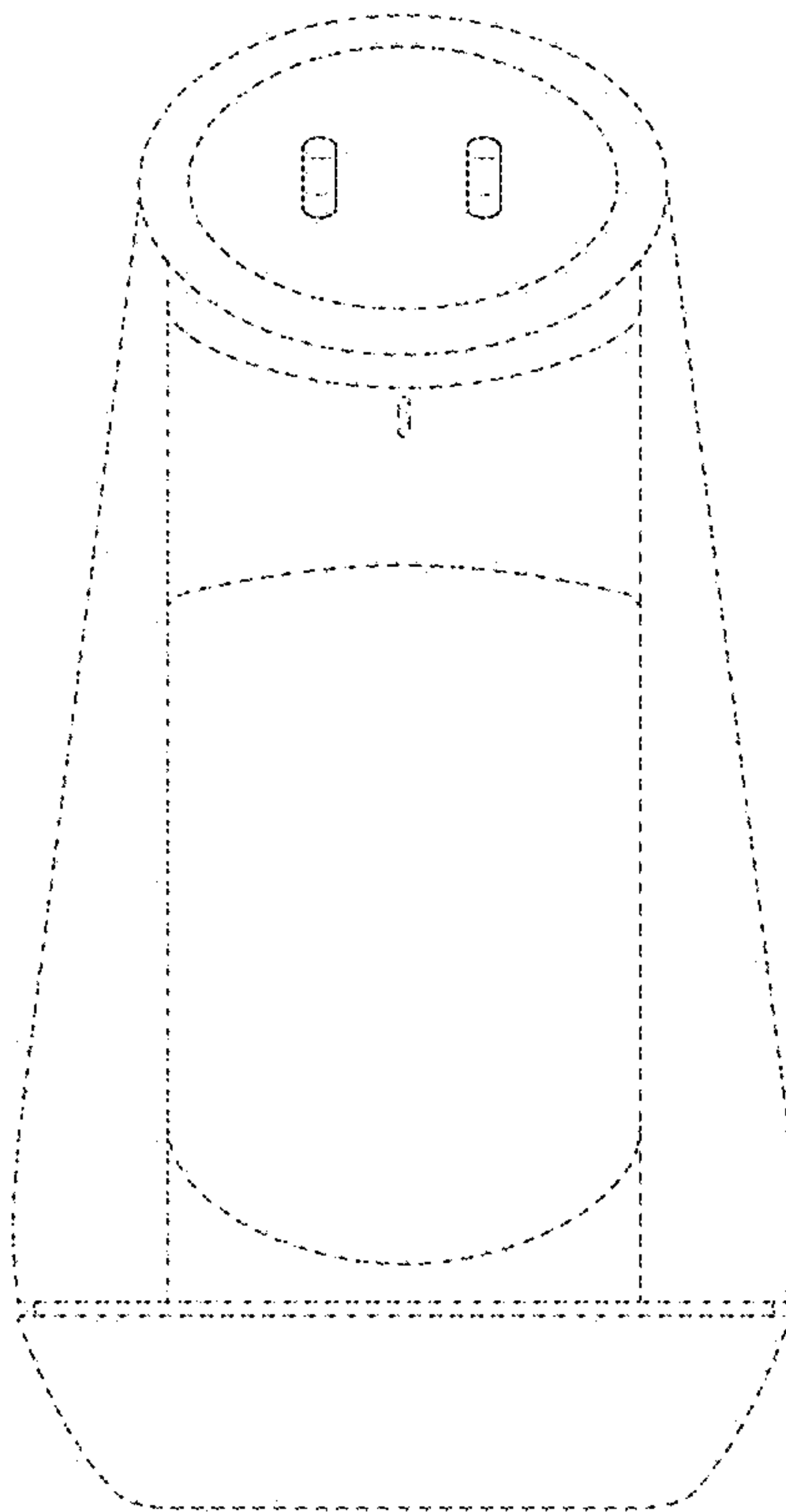


FIG. 16

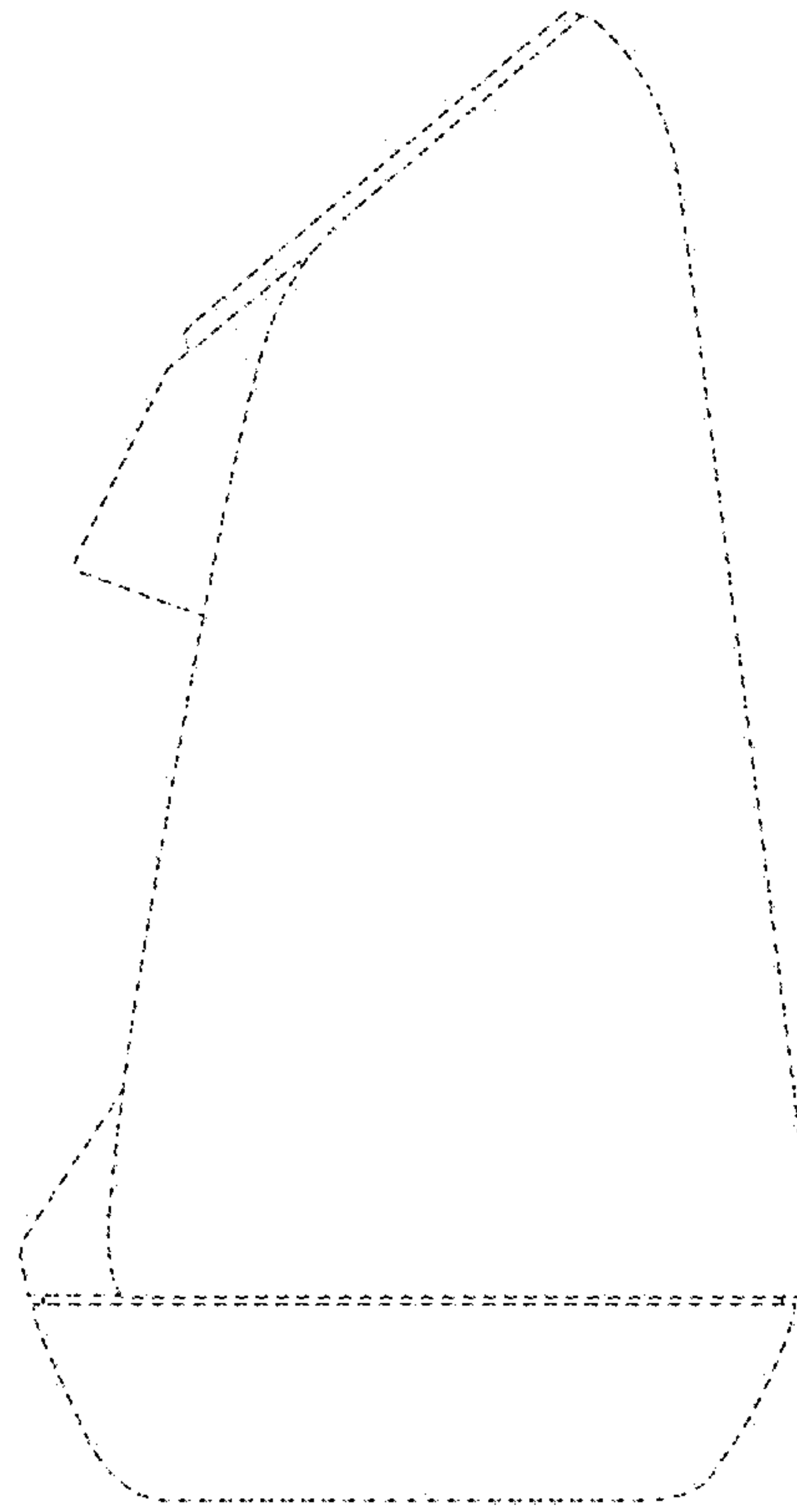


FIG. 17

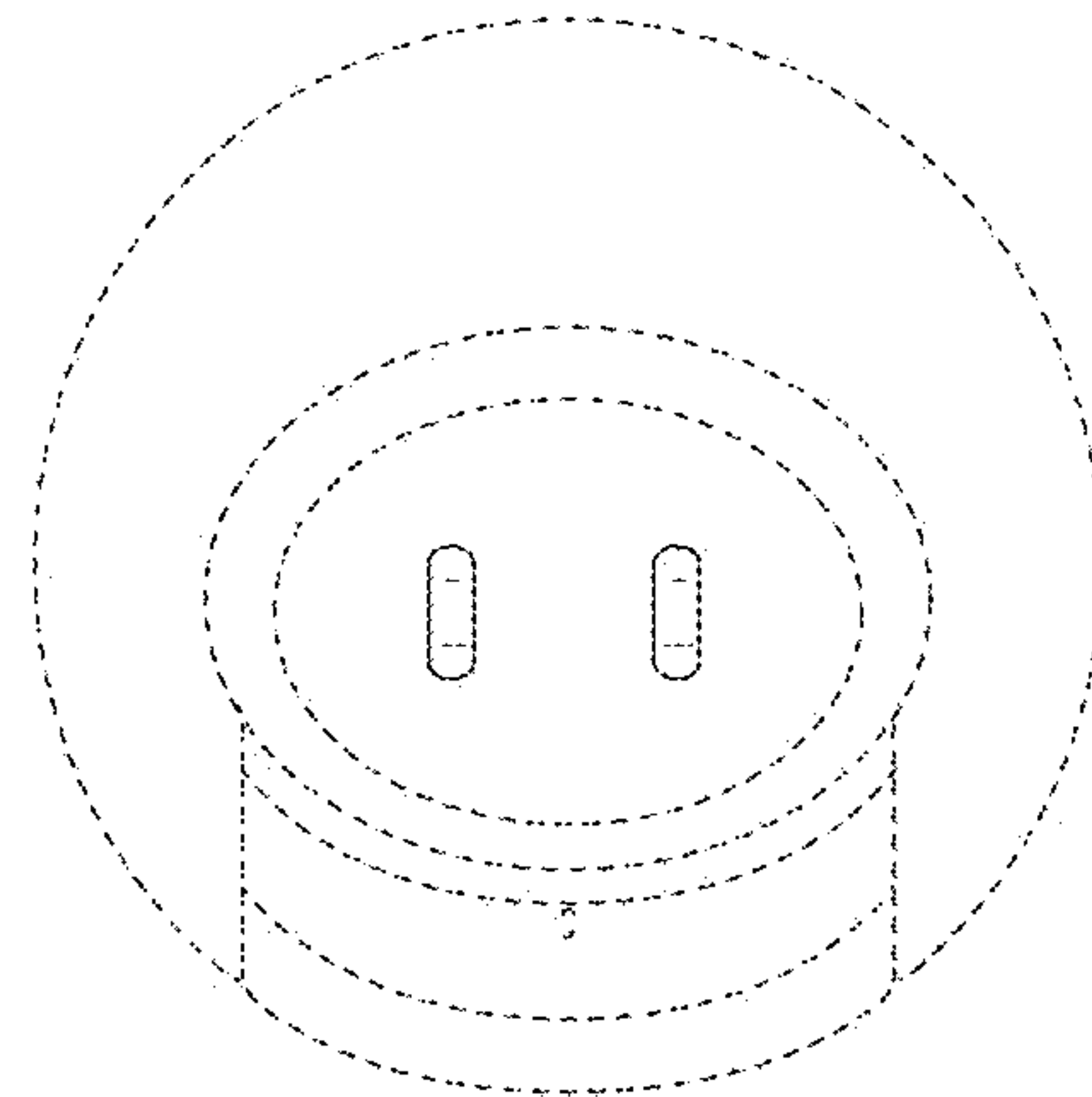


FIG. 18

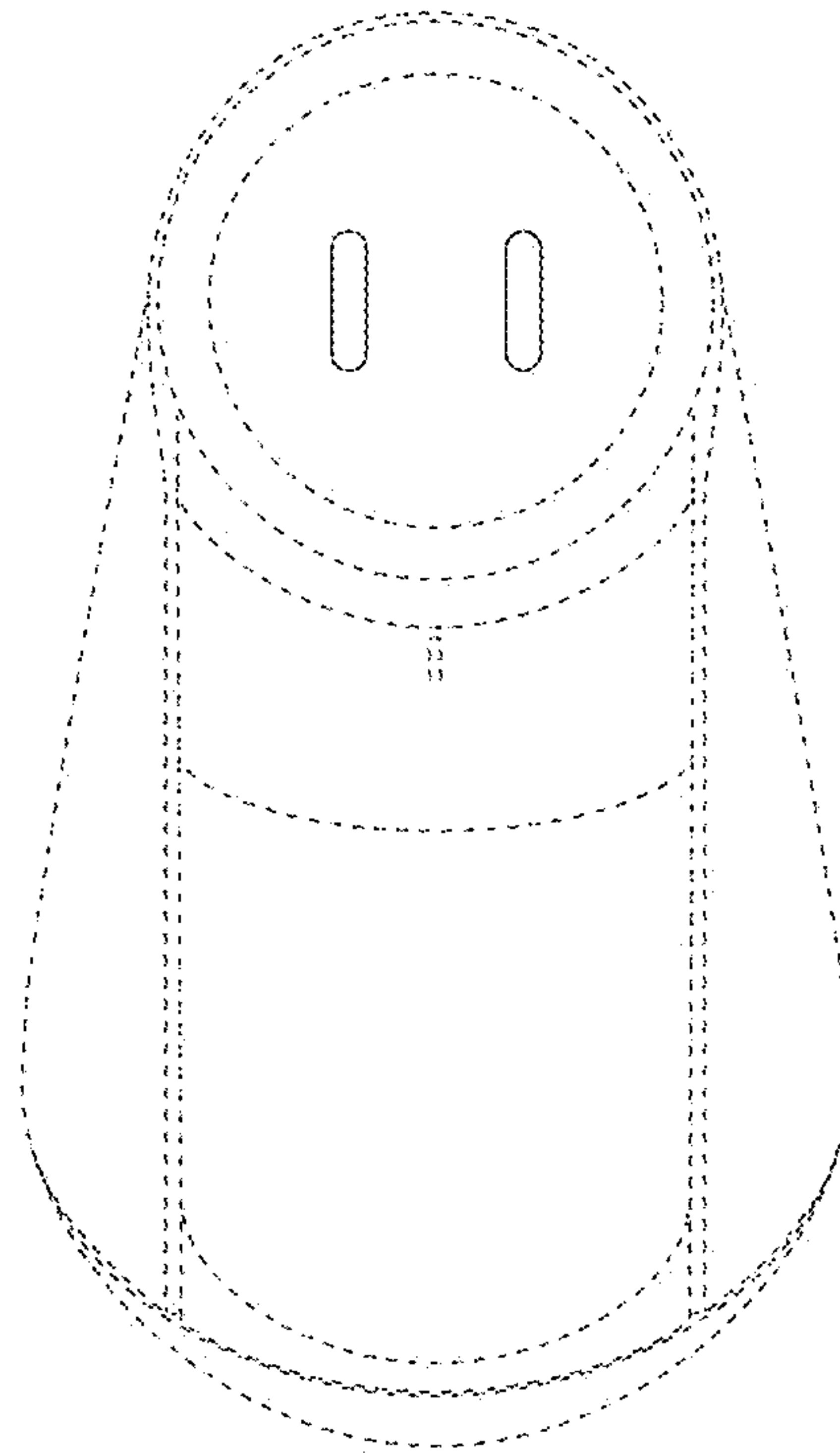


FIG. 19

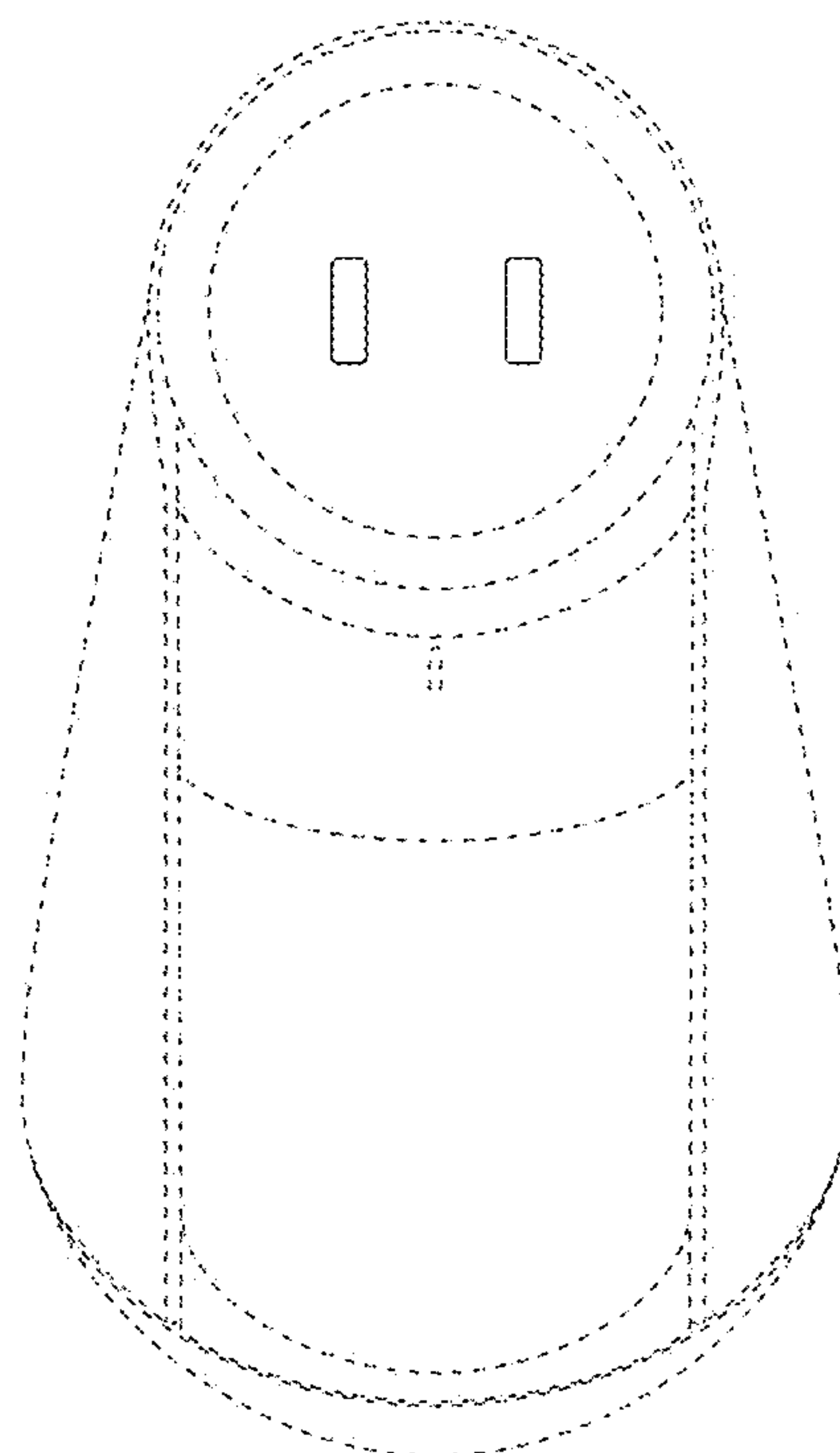




FIG.20

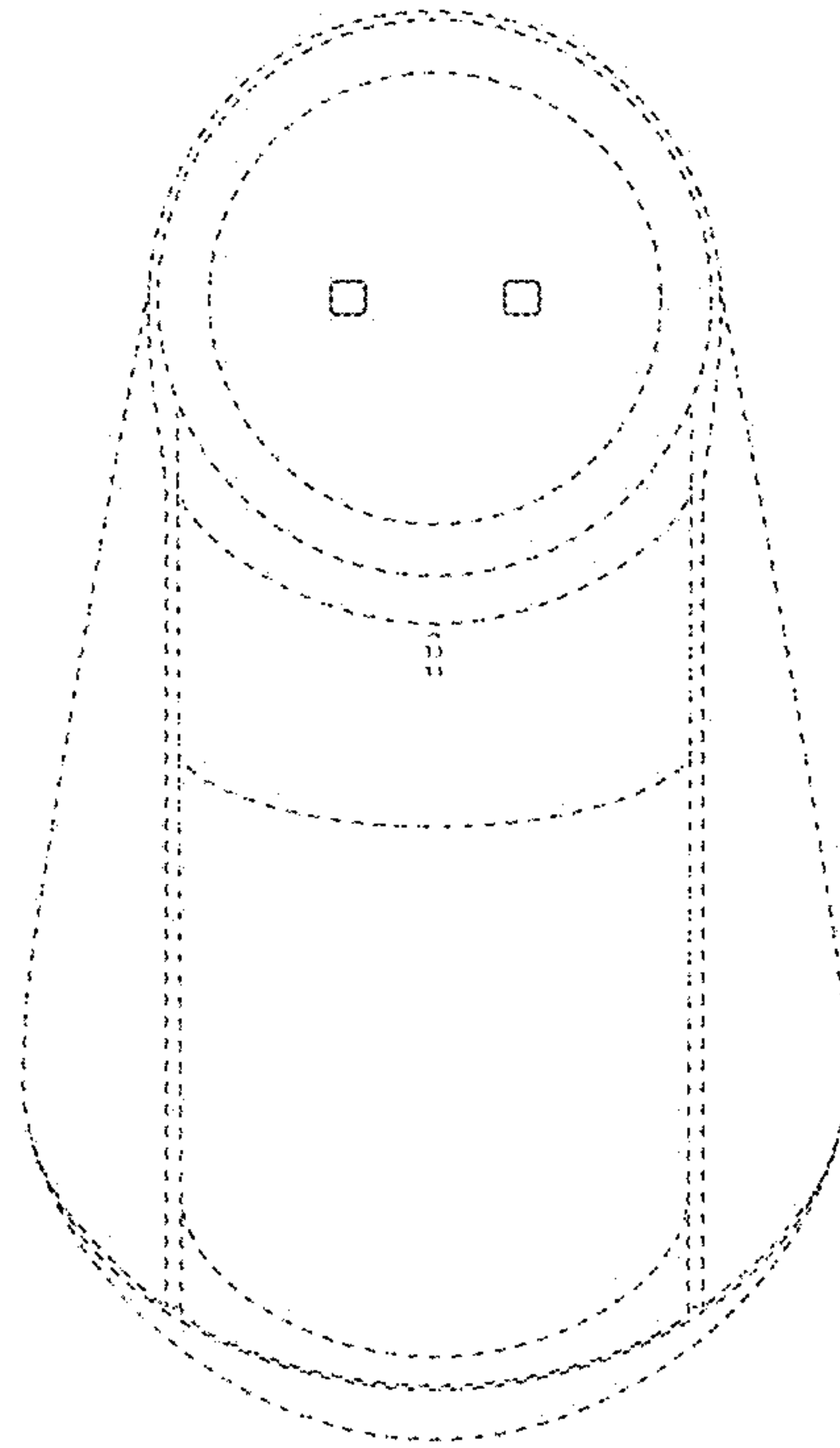


FIG.21

