



US00D872750S

(12) **United States Design Patent**  
**Sakuma**

(10) **Patent No.:** **US D872,750 S**

(45) **Date of Patent:** **\*\* Jan. 14, 2020**

(54) **DIGITAL CAMERA DISPLAY SCREEN WITH GRAPHICAL USER INTERFACE**

(71) Applicant: **FUJIFILM Corporation**, Tokyo (JP)

(72) Inventor: **Nanae Sakuma**, Saitama (JP)

(73) Assignee: **FUJIFILM Corporation**, Tokyo (JP)

(\*\*) Term: **15 Years**

(21) Appl. No.: **29/640,437**

(22) Filed: **Mar. 14, 2018**

(30) **Foreign Application Priority Data**

Sep. 15, 2017 (JP) ..... 2017-020234

(51) **LOC (12) Cl.** ..... **14-04**

(52) **U.S. Cl.**  
USPC ..... **D14/485**

(58) **Field of Classification Search**  
USPC ..... D14/485-495  
CPC ..... G06F 3/048; G06F 3/0481; G06F 3/0482;  
G06F 3/04842; G06F 3/04847; G06F  
3/0485; G06F 1/1692; G06F 2203/04806  
See application file for complete search history.

(56) **References Cited**

**U.S. PATENT DOCUMENTS**

D575,793 S *	8/2008	Ording	.....	D14/486
D593,116 S *	5/2009	Garcia	.....	D14/487
D685,817 S *	7/2013	Kunieda	.....	D14/487
D692,444 S *	10/2013	Lee	.....	D14/486
D722,069 S *	2/2015	Lee	.....	D14/485
D735,741 S *	8/2015	Kim	.....	D14/486
D740,841 S *	10/2015	Yampolskaya	.....	D14/486
D745,022 S *	12/2015	McCleary	.....	D14/486
D745,549 S *	12/2015	Lim	.....	D14/487
D748,124 S *	1/2016	Jeon	.....	D14/486
D748,129 S *	1/2016	Steplyk	.....	D14/486

D748,667 S *	2/2016	Morishige	.....	D14/488
D752,088 S *	3/2016	Hiramatsu	.....	D14/488
D752,607 S *	3/2016	Zhang	.....	D14/485
D754,709 S *	4/2016	Wielgosz	.....	D14/487
D755,204 S *	5/2016	Zankowski	.....	D14/485
D755,800 S *	5/2016	Bauducco	.....	D14/485
D755,805 S *	5/2016	Zankowski	.....	D14/485
D755,806 S *	5/2016	Zankowski	.....	D14/485
D757,067 S *	5/2016	Kim	.....	D14/486
D760,767 S *	7/2016	Park	.....	D14/488
D762,711 S *	8/2016	Zhang	.....	D14/488
D763,879 S *	8/2016	Worrell	.....	D14/486
D765,717 S *	9/2016	Cho	.....	D14/487
D768,661 S *	10/2016	McRae	.....	D14/486
D771,688 S *	11/2016	Sugawara	.....	D14/488
D772,253 S *	11/2016	Sugawara	.....	D14/486

(Continued)

*Primary Examiner* — Daniel J Domino

(74) *Attorney, Agent, or Firm* — Birch, Stewart, Kolasch & Birch, LLP

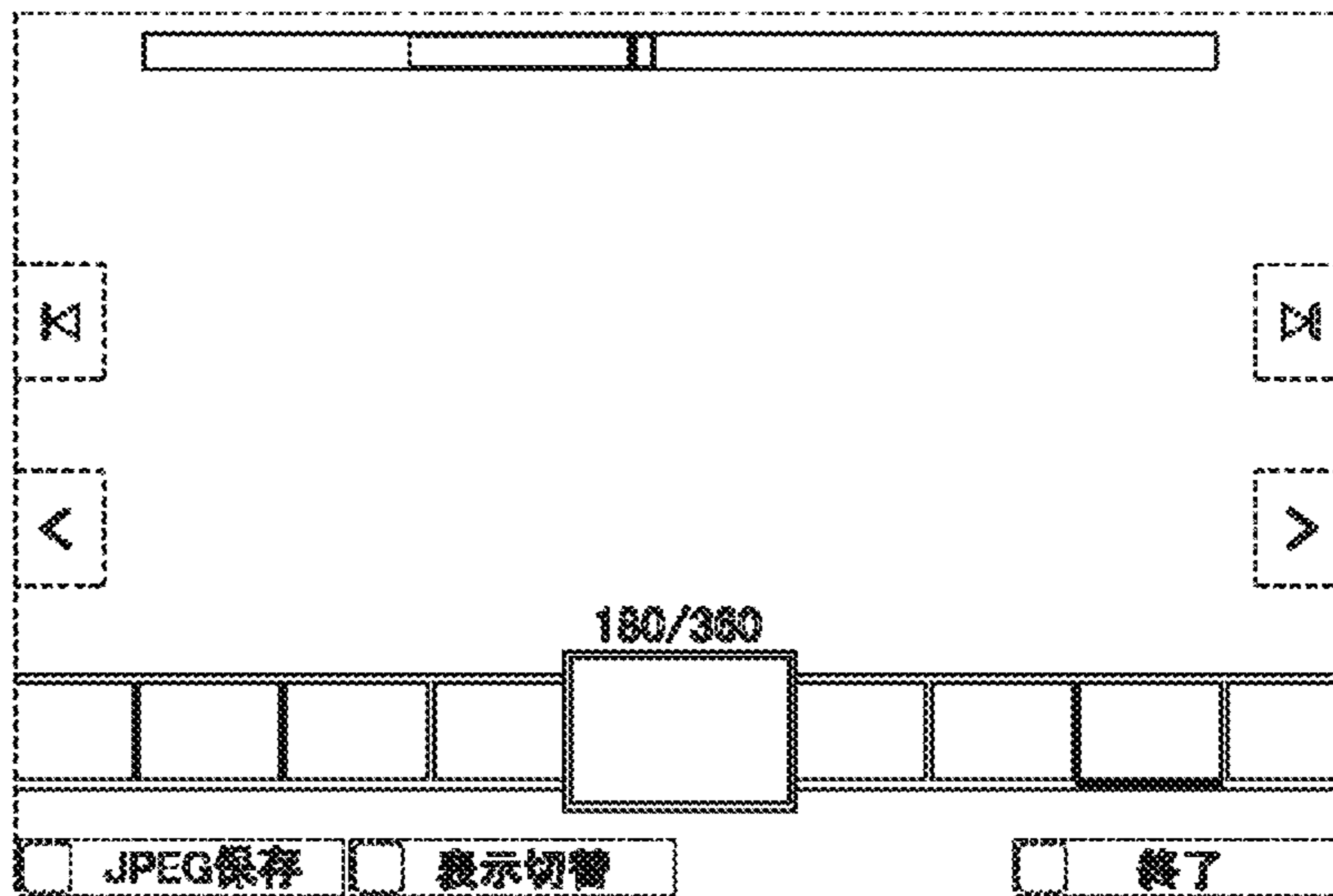
(57) **CLAIM**

The ornamental design for digital camera display screen with graphical user interface, as shown and described.

**DESCRIPTION**

FIG. 1 is a perspective view of a digital camera, showing the new design;  
 FIG. 2 is a front view thereof;  
 FIG. 3 is a rear view thereof;  
 FIG. 4 is a top view thereof;  
 FIG. 5 is a left view thereof; and,  
 FIG. 6 is an enlarged view of a display portion showing the display screen separately for clarity.  
 The broken lines showing the digital camera illustrate the environment of the claimed design and form no part thereof. The broken lines within display screen in the drawings illustrate portions of the graphical user interface which form no part of the claimed design.

**1 Claim, 6 Drawing Sheets**



(56)

**References Cited**

## U.S. PATENT DOCUMENTS

D773,495	S	*	12/2016	McRae	.....	D14/486
D774,515	S	*	12/2016	Kim	.....	D14/485
D789,946	S	*	6/2017	Sun	.....	D14/485
D792,420	S	*	7/2017	van den Berg	.....	D14/485
D794,663	S	*	8/2017	Sakuma	.....	D14/486
D795,272	S	*	8/2017	Laing	.....	D14/485
D796,539	S	*	9/2017	Sakuma	.....	D14/487
D800,762	S	*	10/2017	Aoshima	.....	D14/487
D801,984	S	*	11/2017	Sugawara	.....	D14/485
D804,495	S	*	12/2017	Kim	.....	D14/485
D804,519	S	*	12/2017	Kim	.....	D14/488
D805,100	S	*	12/2017	Kim	.....	D14/488
D808,975	S	*	1/2018	Park	.....	D14/485
D813,263	S	*	3/2018	Hwang	.....	D14/486
D813,885	S	*	3/2018	Soh	.....	D14/485
D815,126	S	*	4/2018	Iketsuki	.....	D14/486
D815,130	S	*	4/2018	Phillips	.....	D14/486
D823,883	S	*	7/2018	Stringham	.....	D14/487
D829,759	S	*	10/2018	Clapper	.....	D14/486
D830,378	S	*	10/2018	Li	.....	D14/485
D830,390	S	*	10/2018	Xie	.....	D14/486
D830,395	S	*	10/2018	Phillips	.....	D14/486
D833,480	S	*	11/2018	Kim	.....	D14/489
D837,230	S	*	1/2019	Johnston	.....	D14/485
D846,586	S	*	4/2019	Kim	.....	D14/487
D847,177	S	*	4/2019	Ma	.....	D14/486

\* cited by examiner

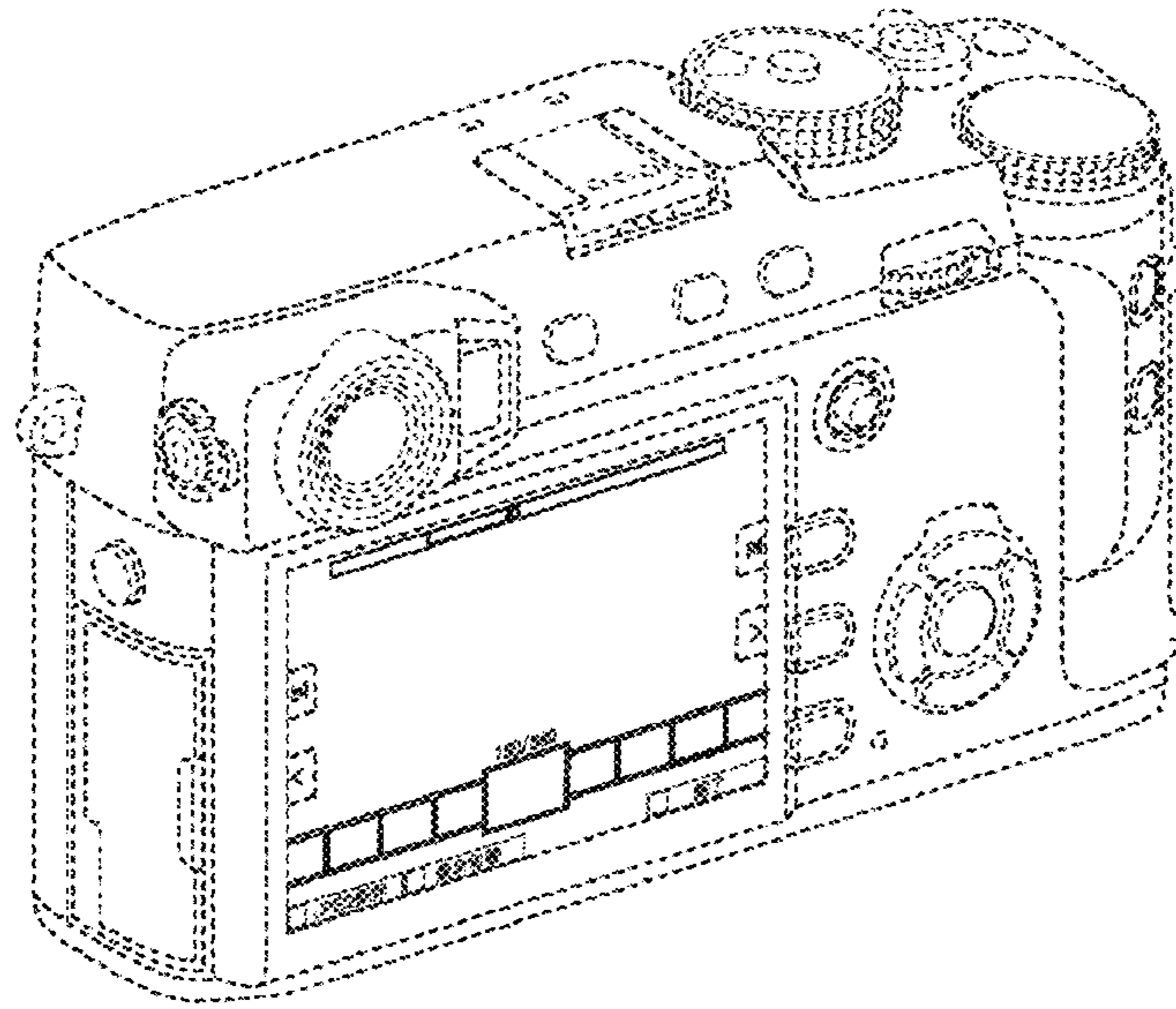


Fig. 1

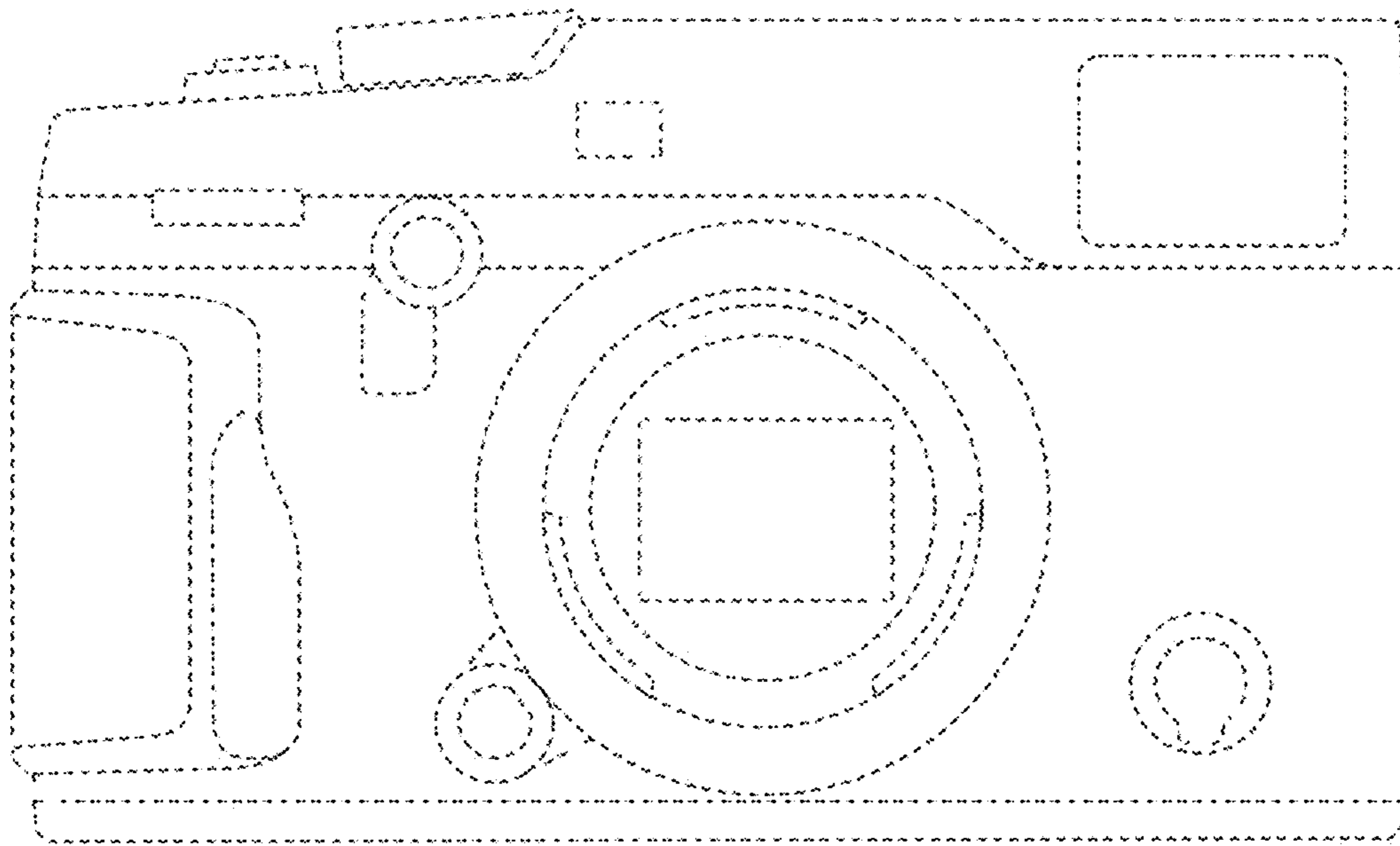


Fig. 2

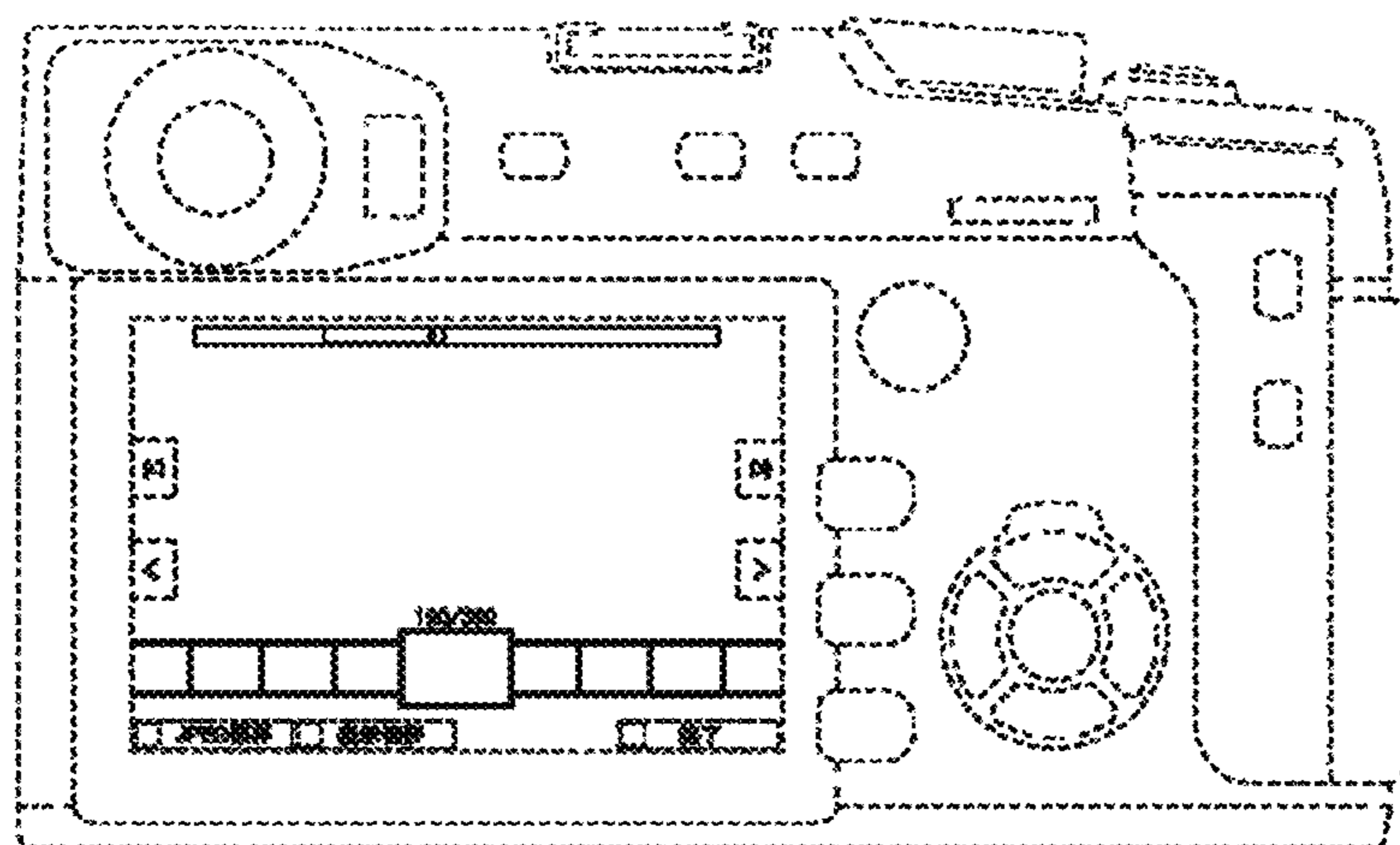


Fig. 3

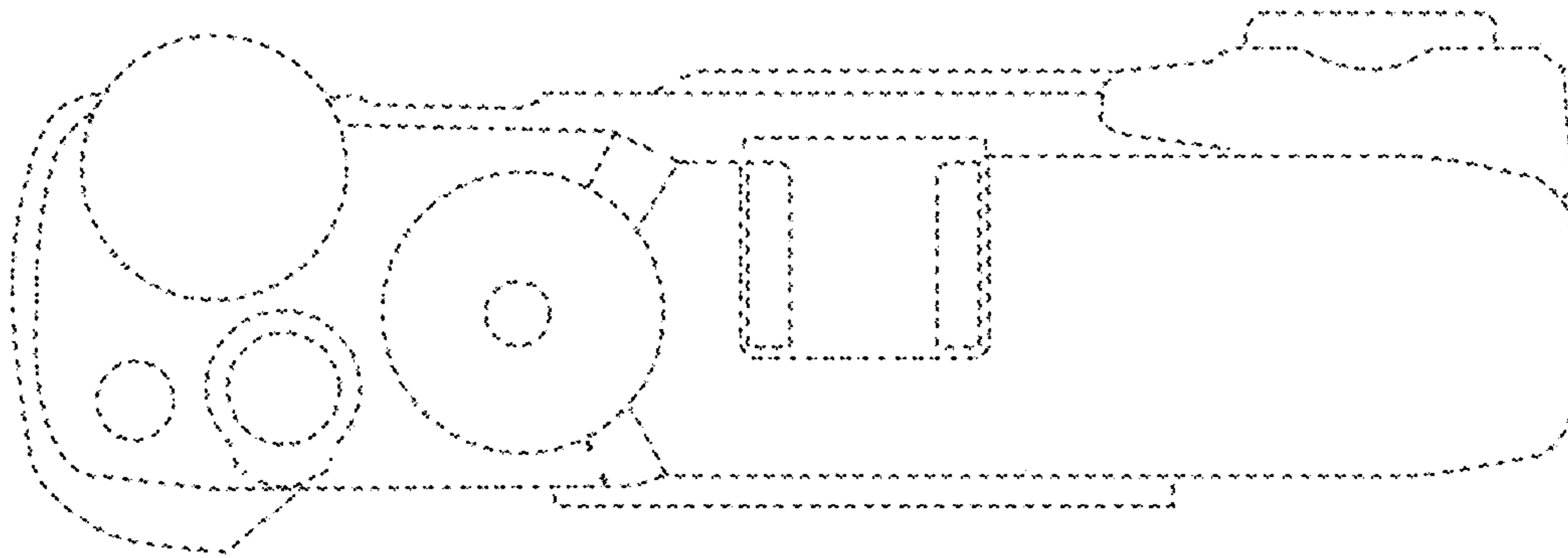


Fig. 4

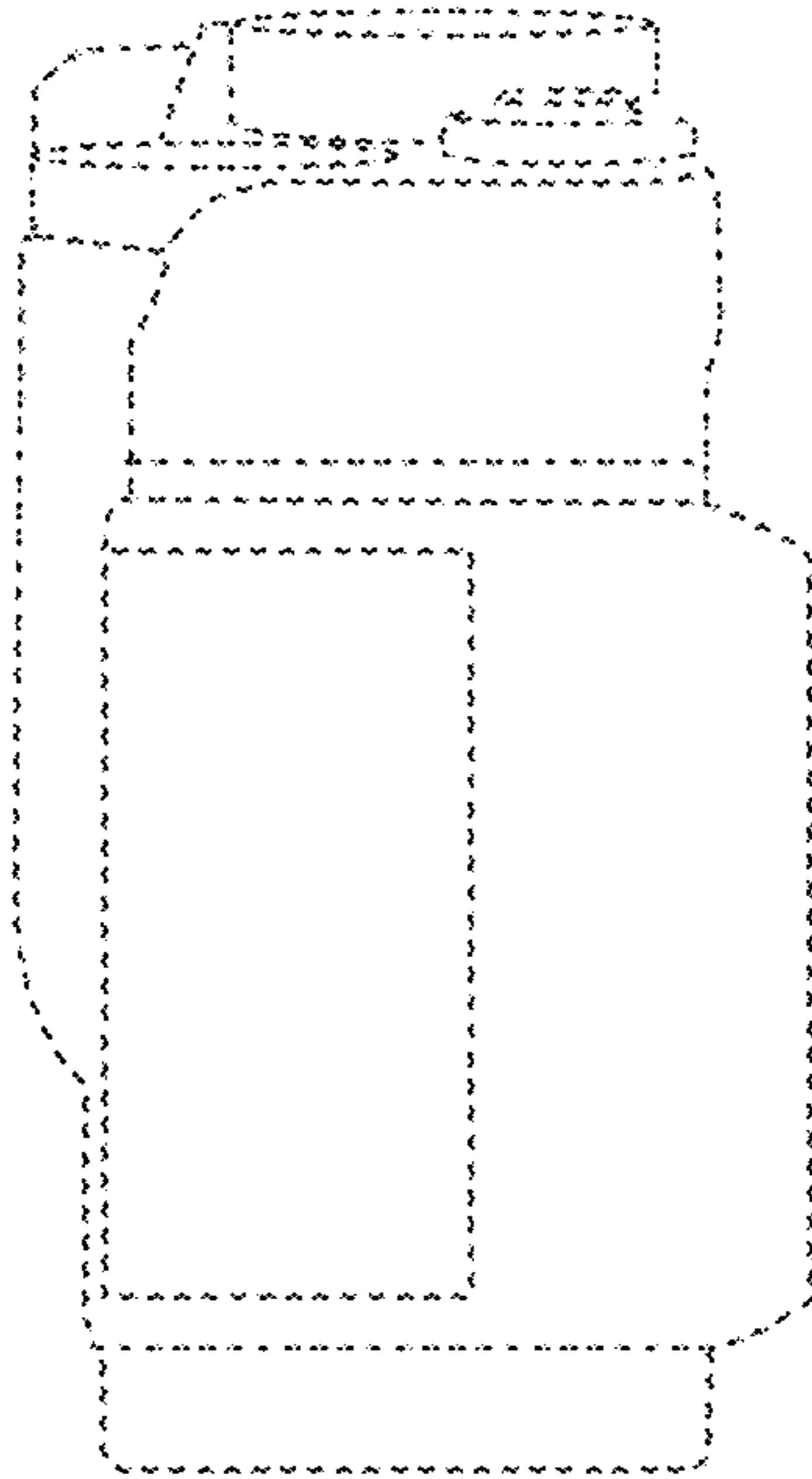


Fig. 5

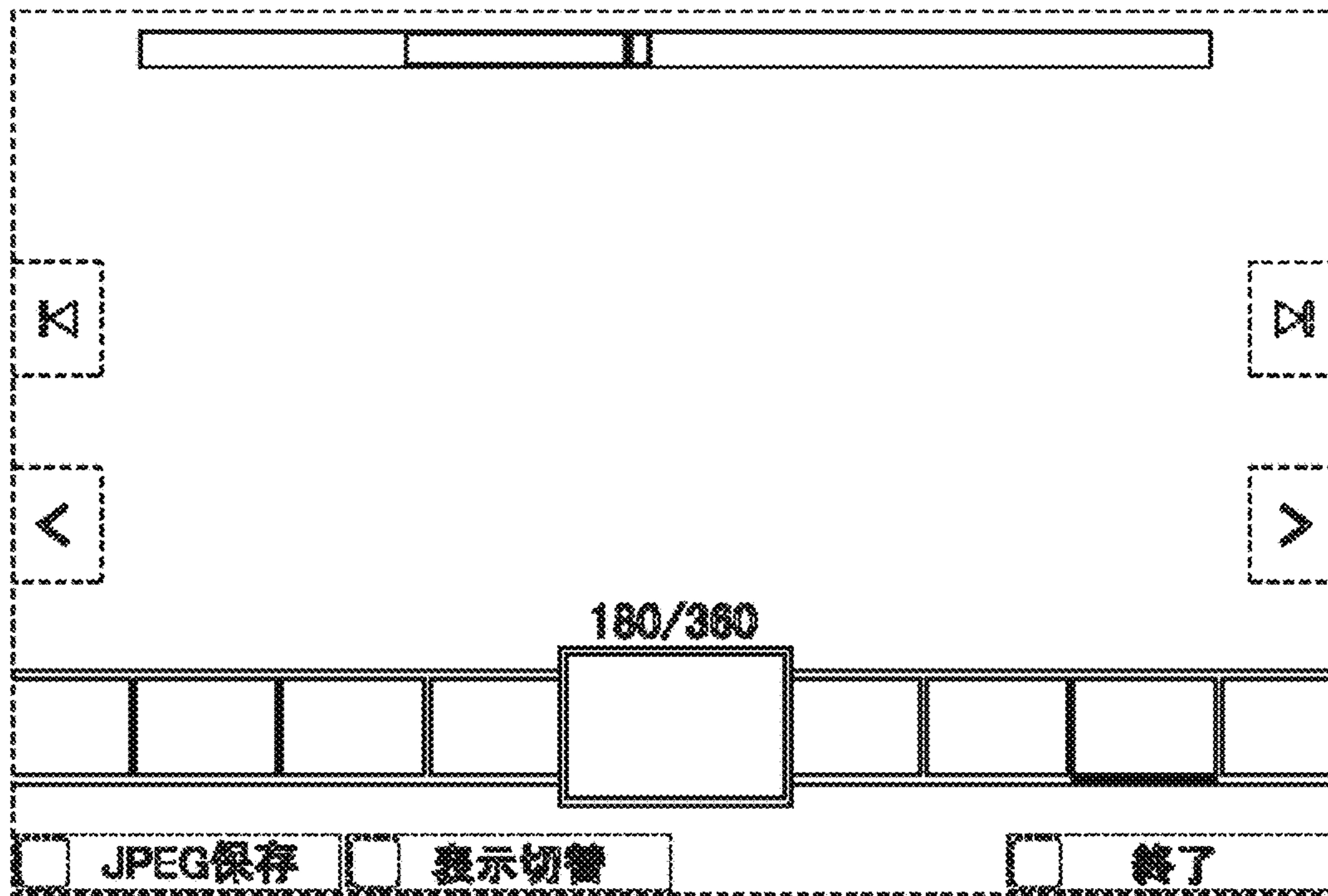


Fig. 6