



US00D872734S

(12) **United States Design Patent** (10) **Patent No.:** **US D872,734 S**
Pillalamarri et al. (45) **Date of Patent:** **** Jan. 14, 2020**

- (54) **DISPLAY SCREEN WITH A GRAPHICAL USER INTERFACE**
- (71) Applicant: **INSULET CORPORATION**, Acton, MA (US)
- (72) Inventors: **Sandhya Pillalamarri**, Methuen, MA (US); **Jorge Borges**, Billerica, MA (US); **Susan Mercer**, Waltham, MA (US)
- (73) Assignee: **Insulet Corporation**, Acton, MA (US)
- (**) Term: **15 Years**
- (21) Appl. No.: **29/597,104**
- (22) Filed: **Mar. 14, 2017**
- (51) **LOC (12) Cl.** **14-04**
- (52) **U.S. Cl.**
USPC **D14/485**
- (58) **Field of Classification Search**
USPC D14/485–495
CPC G06F 3/048; G06F 3/0481; G06F 3/0482; G06F 3/04842; G06F 3/04847; G06F 3/0485; G06F 1/1692; G06F 2203/04806
See application file for complete search history.

| | | | | |
|--------------|---------|---------|-------|--------------|
| D741,871 S * | 10/2015 | Chung | | G06F 3/04817 |
| | | | | D14/485 |
| D748,664 S * | 2/2016 | Noack | | D14/486 |
| D752,607 S * | 3/2016 | Zhang | | D14/485 |
| D754,181 S * | 4/2016 | Dong | | D14/487 |
| D760,272 S * | 6/2016 | Li | | D14/487 |
| D762,702 S * | 8/2016 | Hoang | | D14/487 |
| D764,507 S * | 8/2016 | Gansca | | D14/486 |
| D766,264 S * | 9/2016 | Kahn | | D14/485 |
| D768,188 S * | 10/2016 | Li | | D14/488 |
| D779,523 S * | 2/2017 | Jensen | | D14/486 |
| D779,526 S * | 2/2017 | Volovik | | D14/486 |
| D781,302 S * | 3/2017 | Baguley | | D14/485 |
| D784,395 S * | 4/2017 | Laing | | D14/487 |

(Continued)

Primary Examiner — Daniel J Domino

(57) **CLAIM**

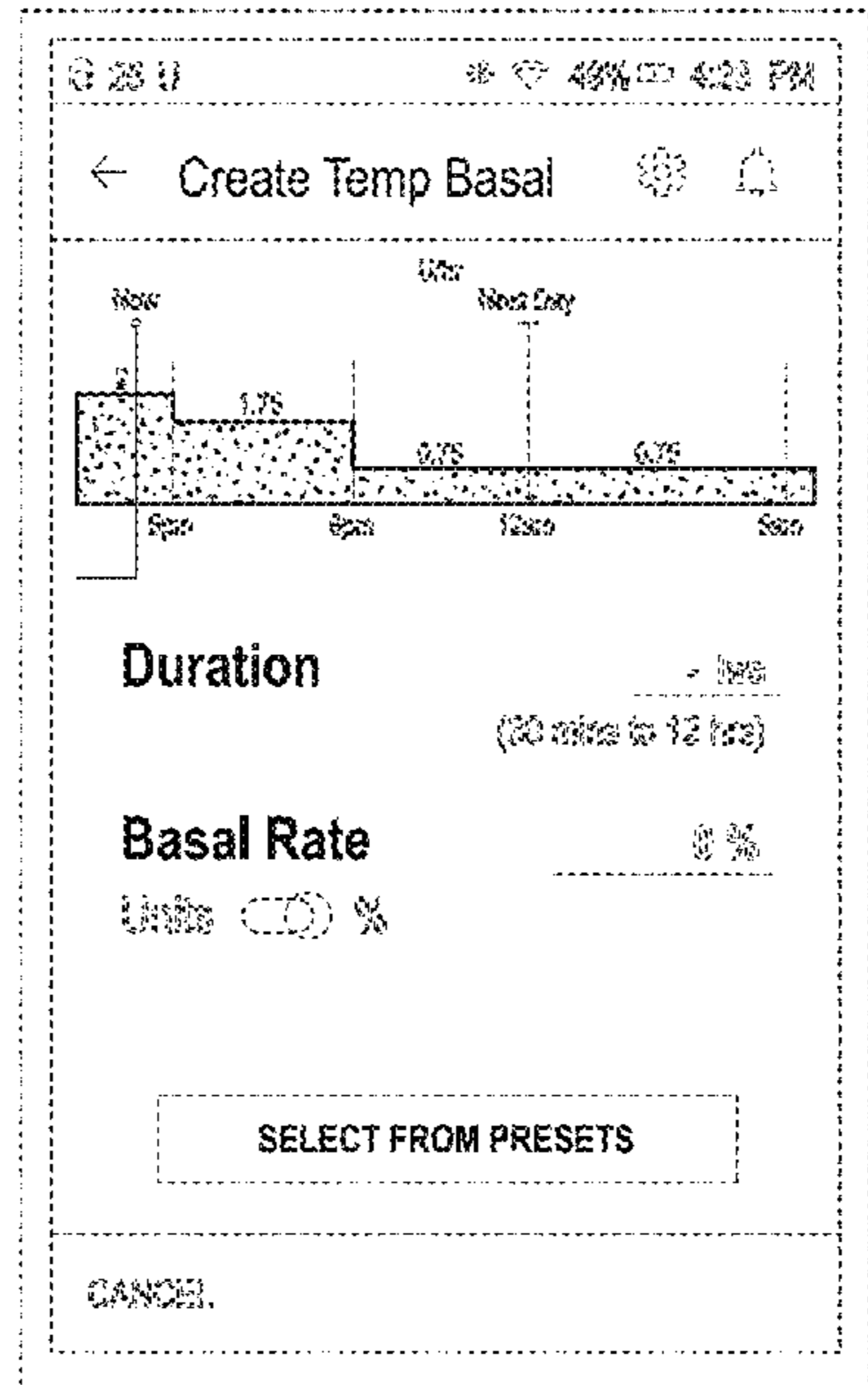
The ornamental design for a display screen with a graphical user interface, as shown and described.

DESCRIPTION

FIG. 1 is a front view of a display screen with a graphical user interface showing our new design;
 FIG. 2 is a front view of a second embodiment thereof;
 FIG. 3 is a front view of a third embodiment thereof;
 FIG. 4 is a front view of a fourth embodiment thereof;
 FIG. 5 is a front view of a fifth embodiment thereof;
 FIG. 6 is a front view of a sixth embodiment thereof;
 FIG. 7 is a front view of a seventh embodiment thereof;
 FIG. 8 is a front view of an eighth embodiment thereof;
 FIG. 9 is a front view of a ninth embodiment thereof;
 FIG. 10 is a front view of a tenth embodiment thereof;
 FIG. 11 is a front view of an eleventh embodiment thereof;
 FIG. 12 is a front view of a twelfth embodiment thereof; and,
 FIG. 13 is a front view of a thirteenth embodiment thereof.
 The broken line showing of display screens, text and graphical elements form no part of the claimed design.

1 Claim, 13 Drawing Sheets

- (56) **References Cited**
U.S. PATENT DOCUMENTS
- 6,768,425 B2 * 7/2004 Flaherty A61B 5/14532
128/920
- D674,400 S * 1/2013 Fong D14/486
- D677,675 S * 3/2013 Rampson D14/485
- D688,681 S * 8/2013 Talbot D14/486
- D703,690 S * 4/2014 MacCubbin D14/488
- D713,854 S * 9/2014 Cojuangco D14/486
- D714,335 S * 9/2014 Cojuangco D14/486
- D733,740 S * 7/2015 Lee D14/487



(56)

References Cited

U.S. PATENT DOCUMENTS

D791,813 S * 7/2017 Kisielius D14/486
 D795,272 S * 8/2017 Laing D14/485
 D802,011 S * 11/2017 Friedman D14/488
 D807,389 S * 1/2018 Miller D14/487
 D807,911 S * 1/2018 Zhou D14/487
 D810,122 S * 2/2018 McClellan D14/488
 D816,092 S * 4/2018 Mazur D14/485
 D816,698 S * 5/2018 Oldenburger D14/486
 D817,977 S * 5/2018 Kato D14/485
 D822,692 S * 7/2018 Loychik D14/486
 D824,933 S * 8/2018 Harris D14/486
 D826,239 S * 8/2018 Duriseti D14/485
 D826,956 S * 8/2018 Pillalamarri D14/485
 D829,229 S * 9/2018 Durkan D14/486
 D830,407 S * 10/2018 Kisielius D14/487
 D831,034 S * 10/2018 Hoang D14/485
 D833,461 S * 11/2018 Dieken D14/485
 D834,061 S * 11/2018 Wall D14/489
 D834,610 S * 11/2018 Kim D14/488
 D835,116 S * 12/2018 Taylor D14/485

D835,631 S * 12/2018 Yopez D14/485
 D835,663 S * 12/2018 Ho D14/487
 D837,240 S * 1/2019 Van Tricht D14/486
 D839,284 S * 1/2019 Pillalamarri D14/485
 D840,420 S * 2/2019 Chalker D14/485
 D840,421 S * 2/2019 Chalker D14/485
 D841,023 S * 2/2019 Millett D14/485
 D844,652 S * 4/2019 Edman D14/486
 D845,991 S * 4/2019 Kessler D14/488
 D847,154 S * 4/2019 Cheney D14/485
 D847,169 S * 4/2019 Sombreiraireiro D14/486
 D847,852 S * 5/2019 Sapre D14/488
 D848,460 S * 5/2019 Wiese D14/486
 D849,767 S * 5/2019 Mok D14/486
 D851,666 S * 6/2019 Lu D14/486
 D853,416 S * 7/2019 Ryan D14/486
 D853,426 S * 7/2019 Alexander D14/486
 D853,427 S * 7/2019 Alexander D14/486
 D854,559 S * 7/2019 Dudey D14/486
 2014/0078263 A1 * 3/2014 Kim G06T 7/285
 348/47
 2017/0214584 A1 * 7/2017 Kanojia H04L 67/145

* cited by examiner

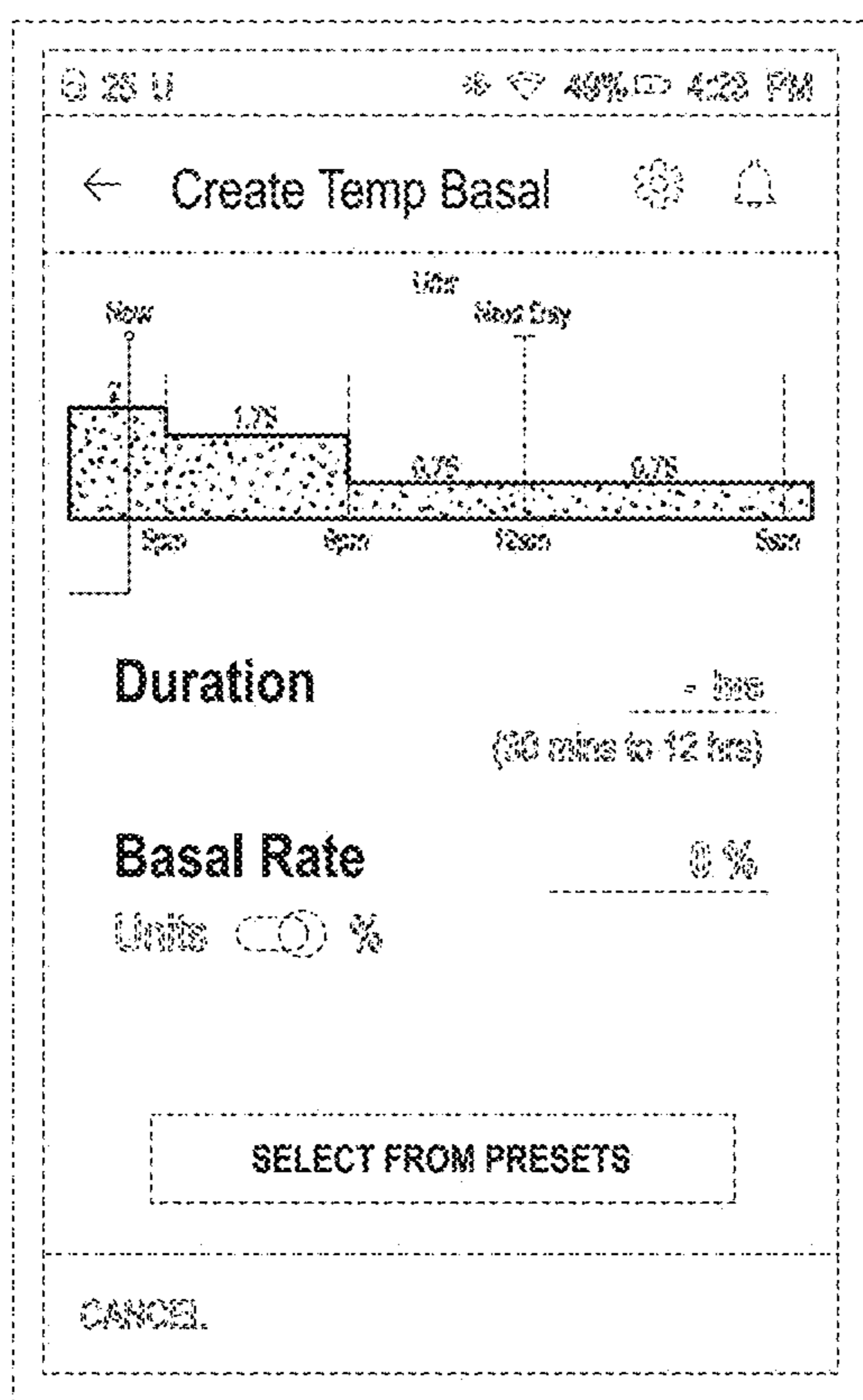


FIG. 1

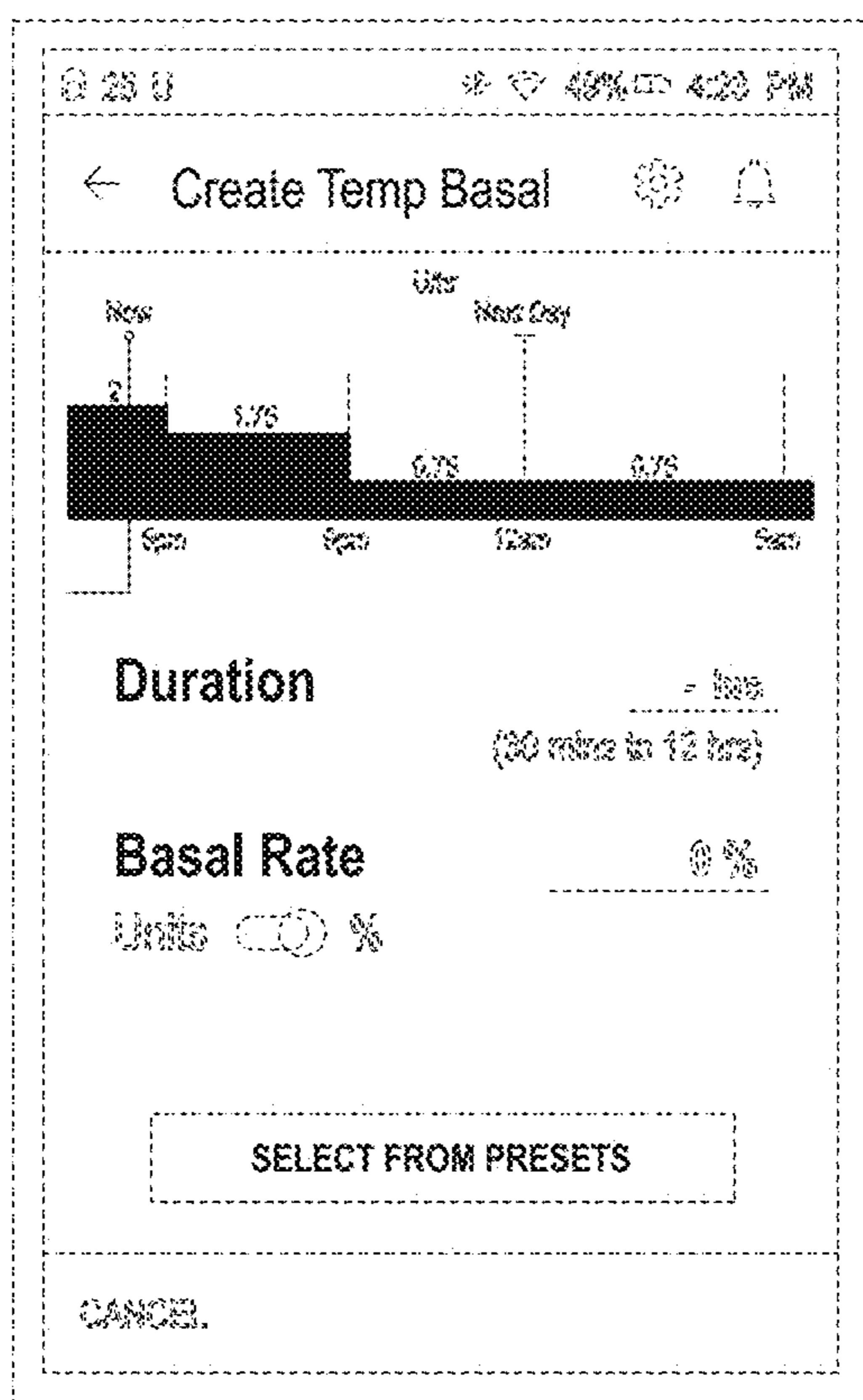


FIG. 2

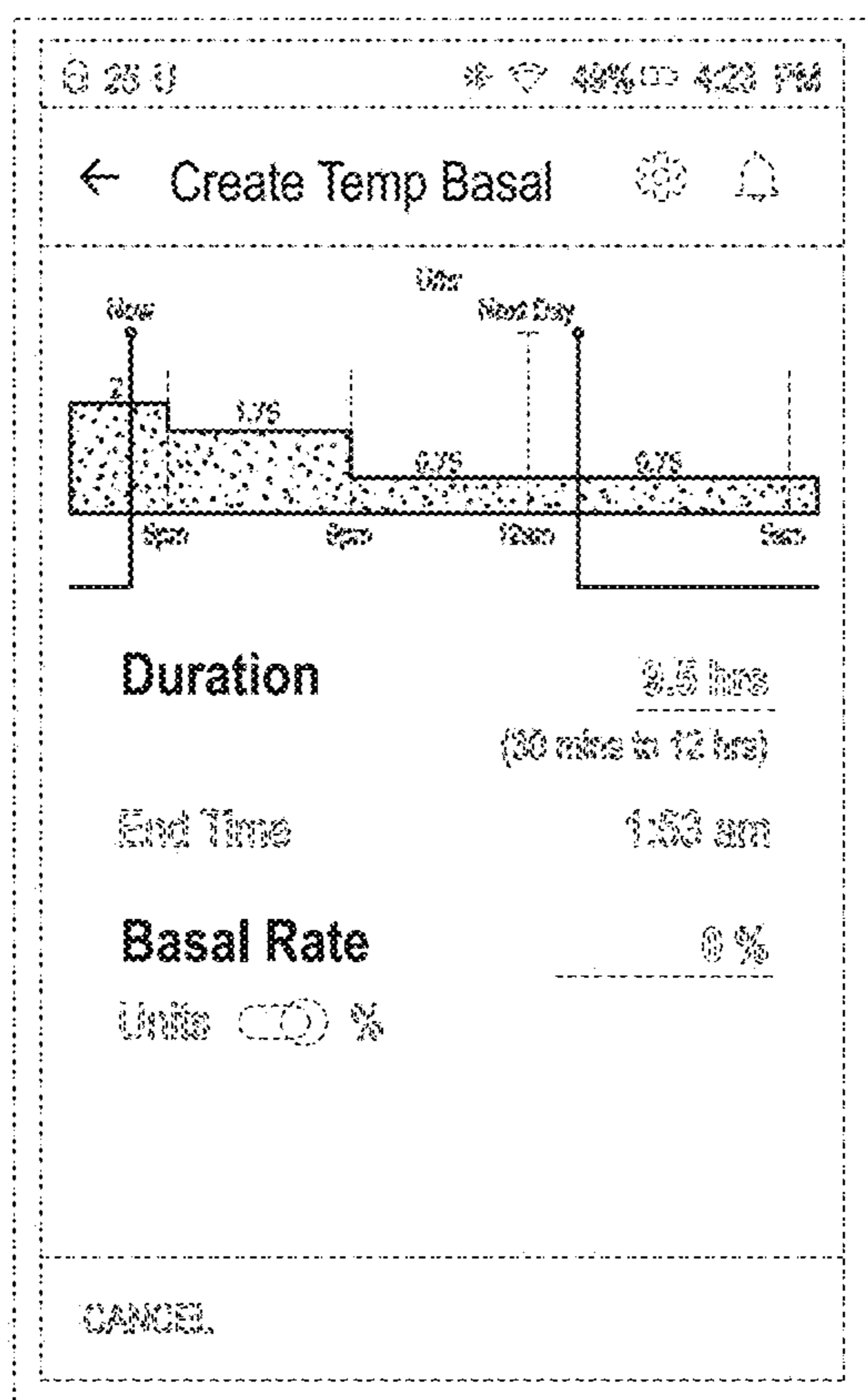


FIG. 3

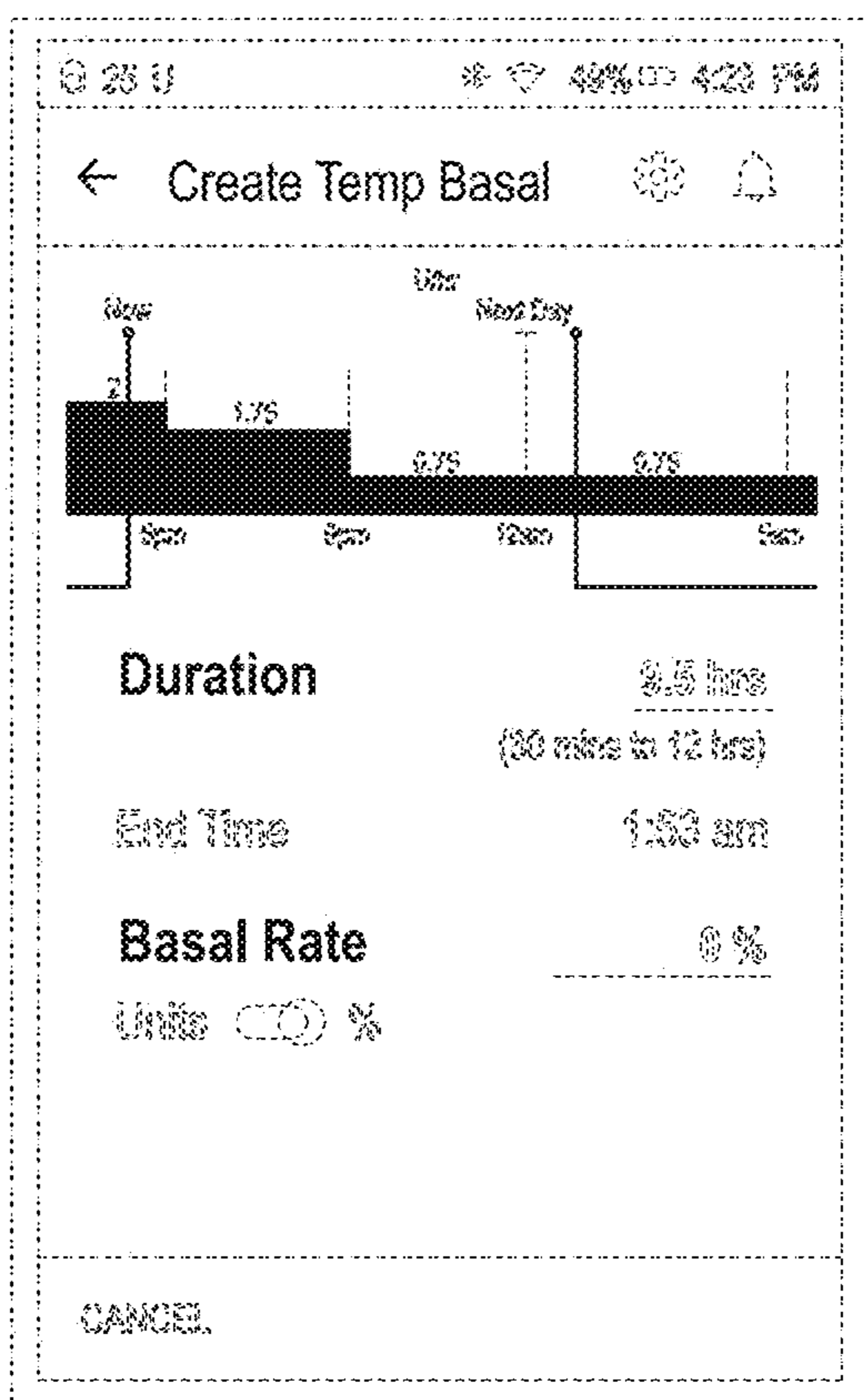


FIG. 4

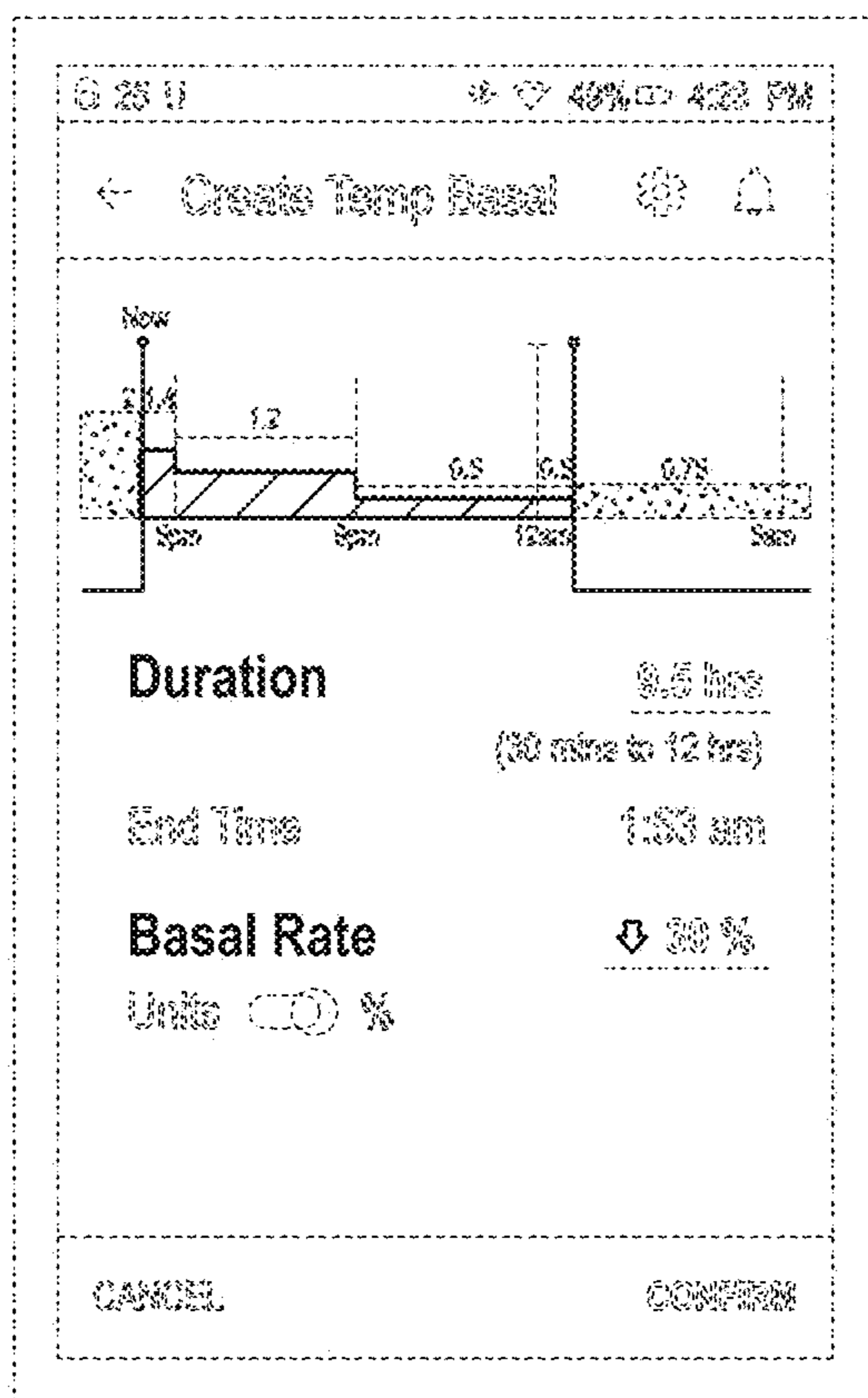


FIG. 5

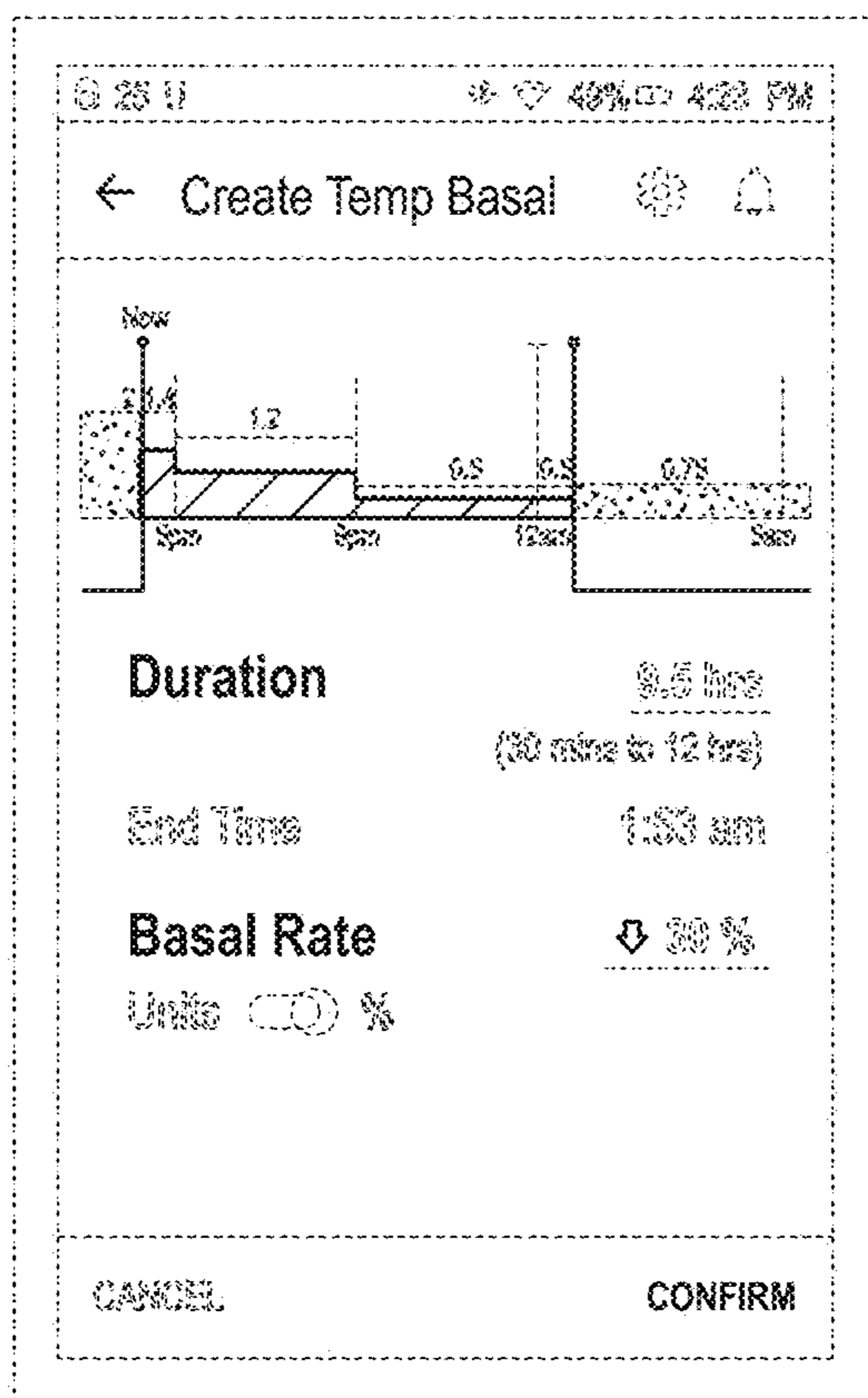


FIG. 6

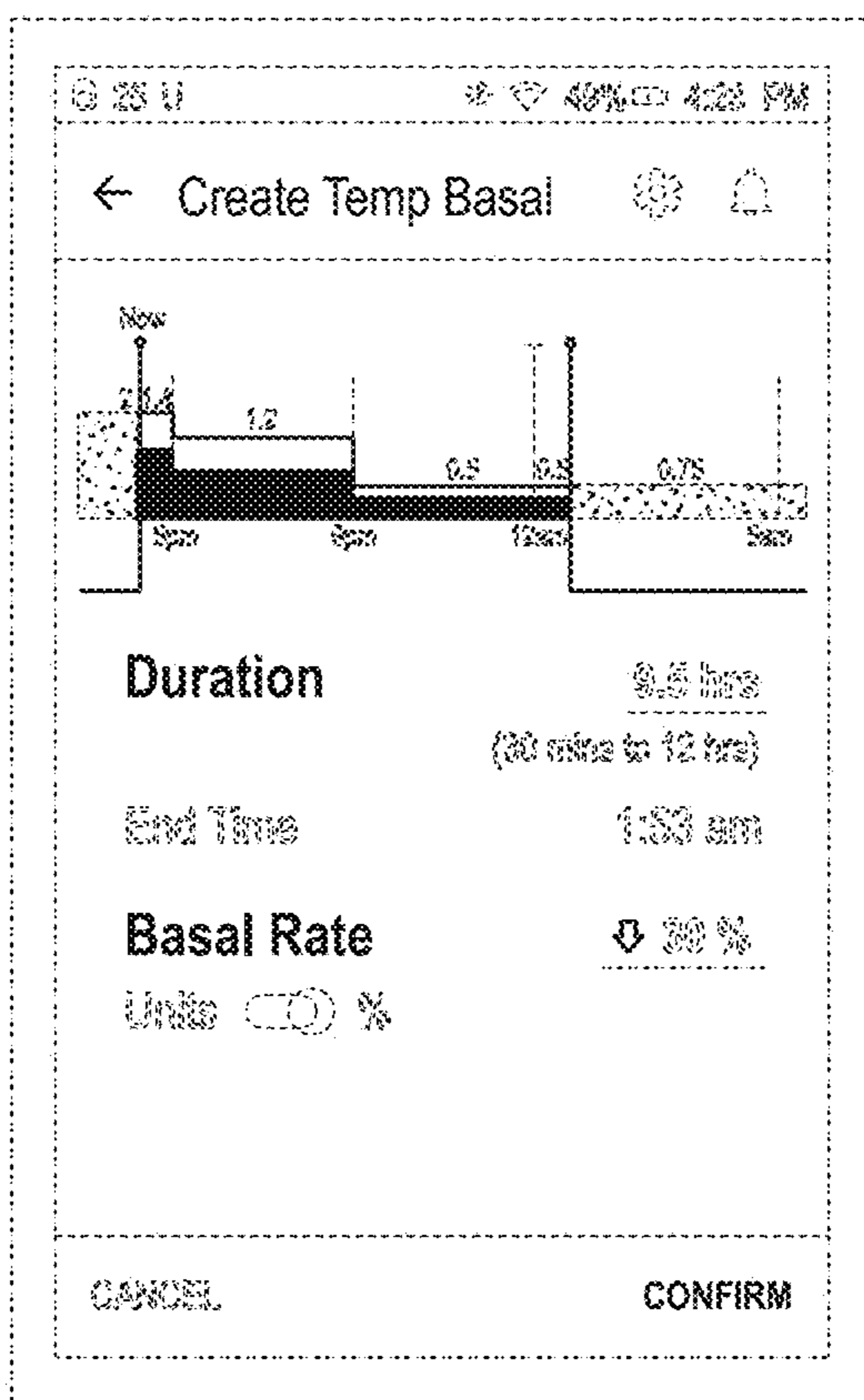


FIG. 7

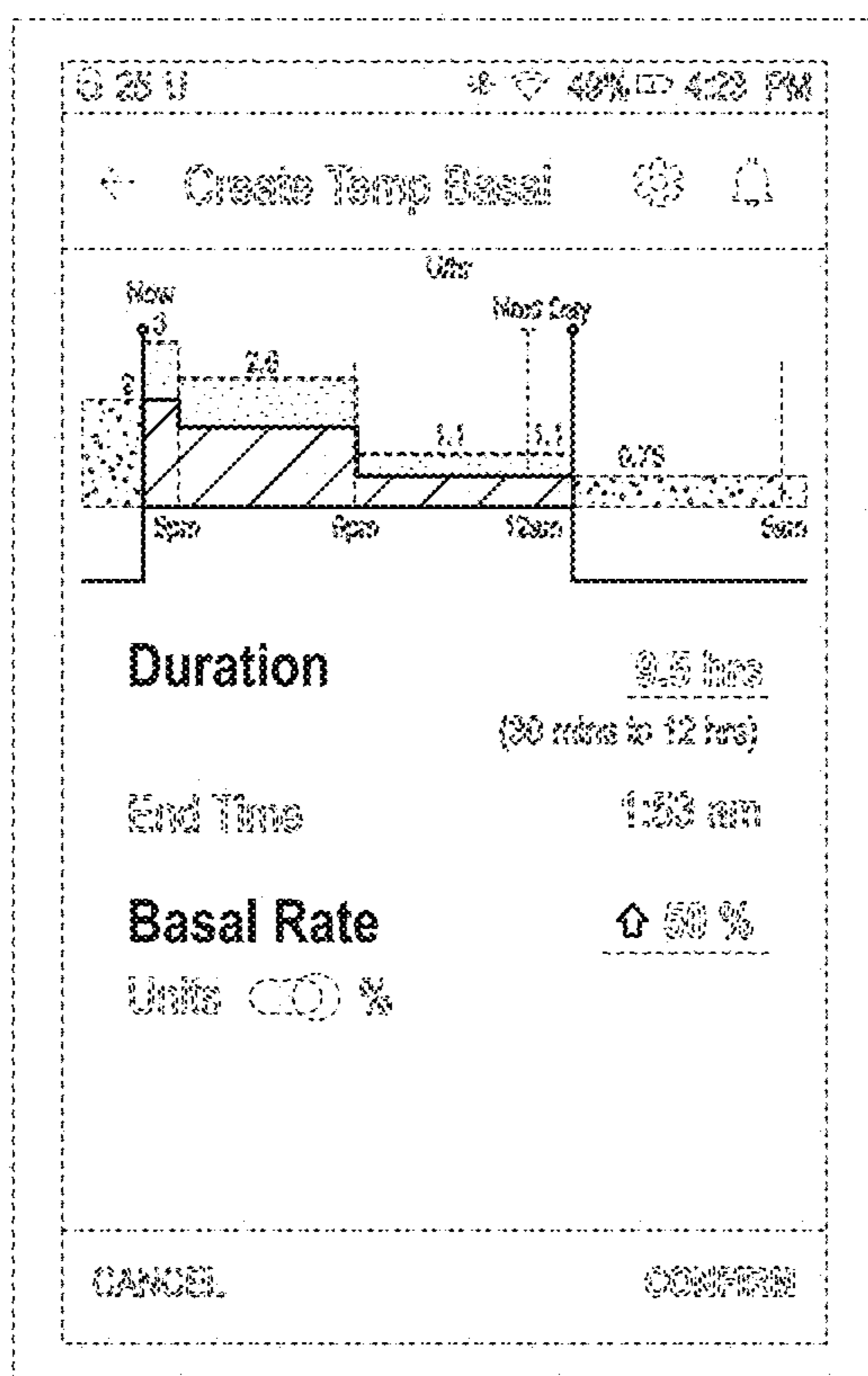


FIG. 8

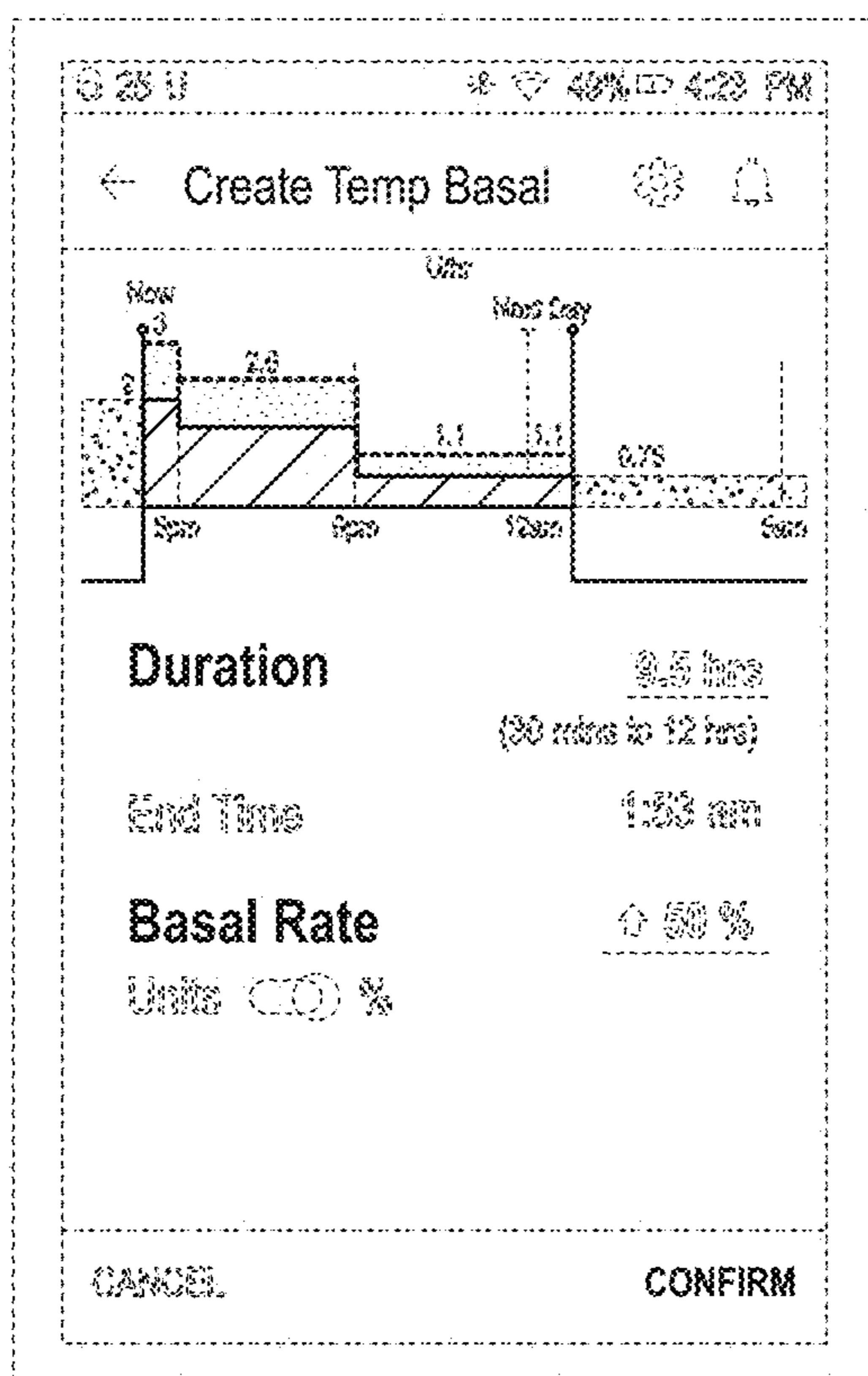


FIG. 9

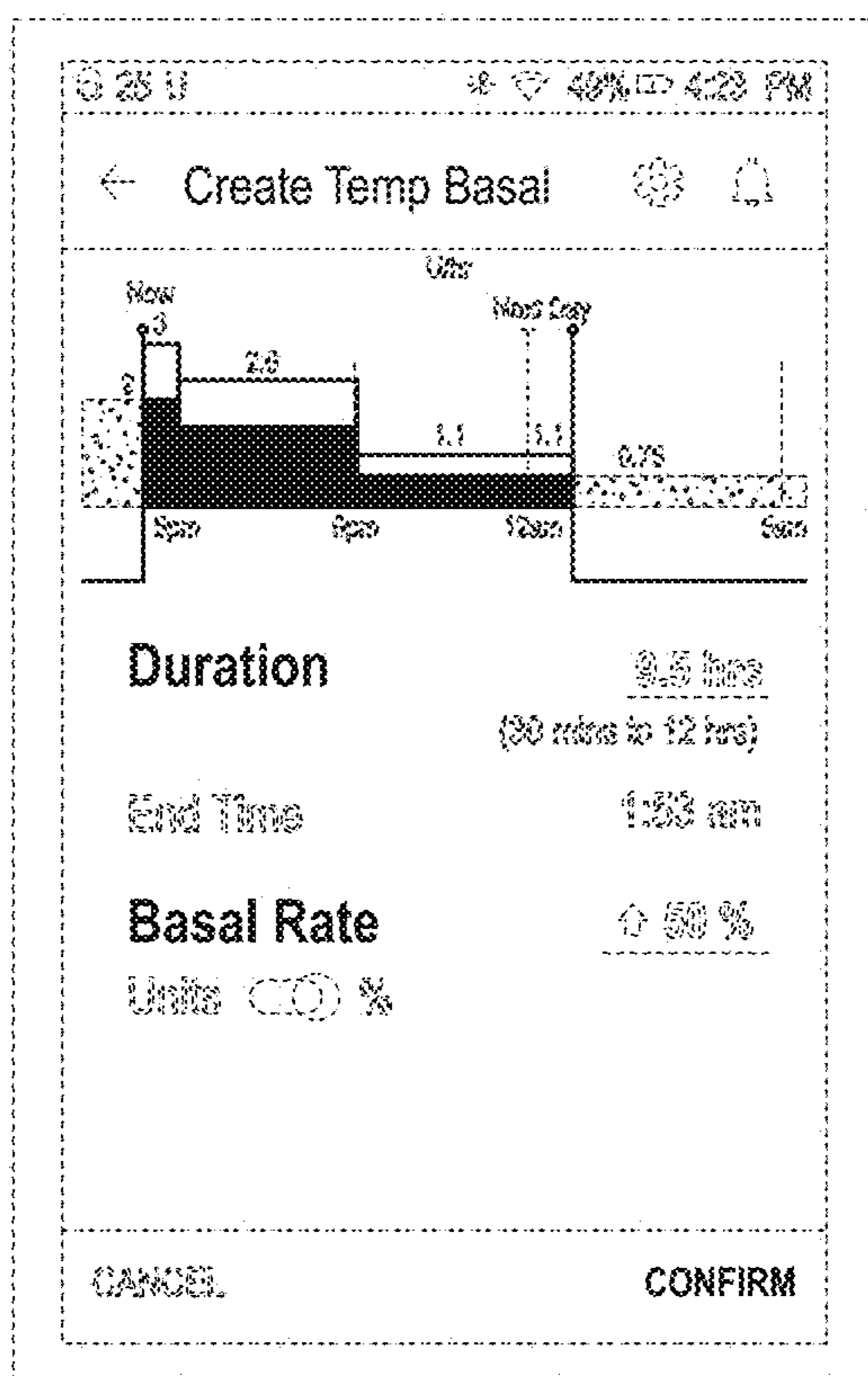


FIG. 10

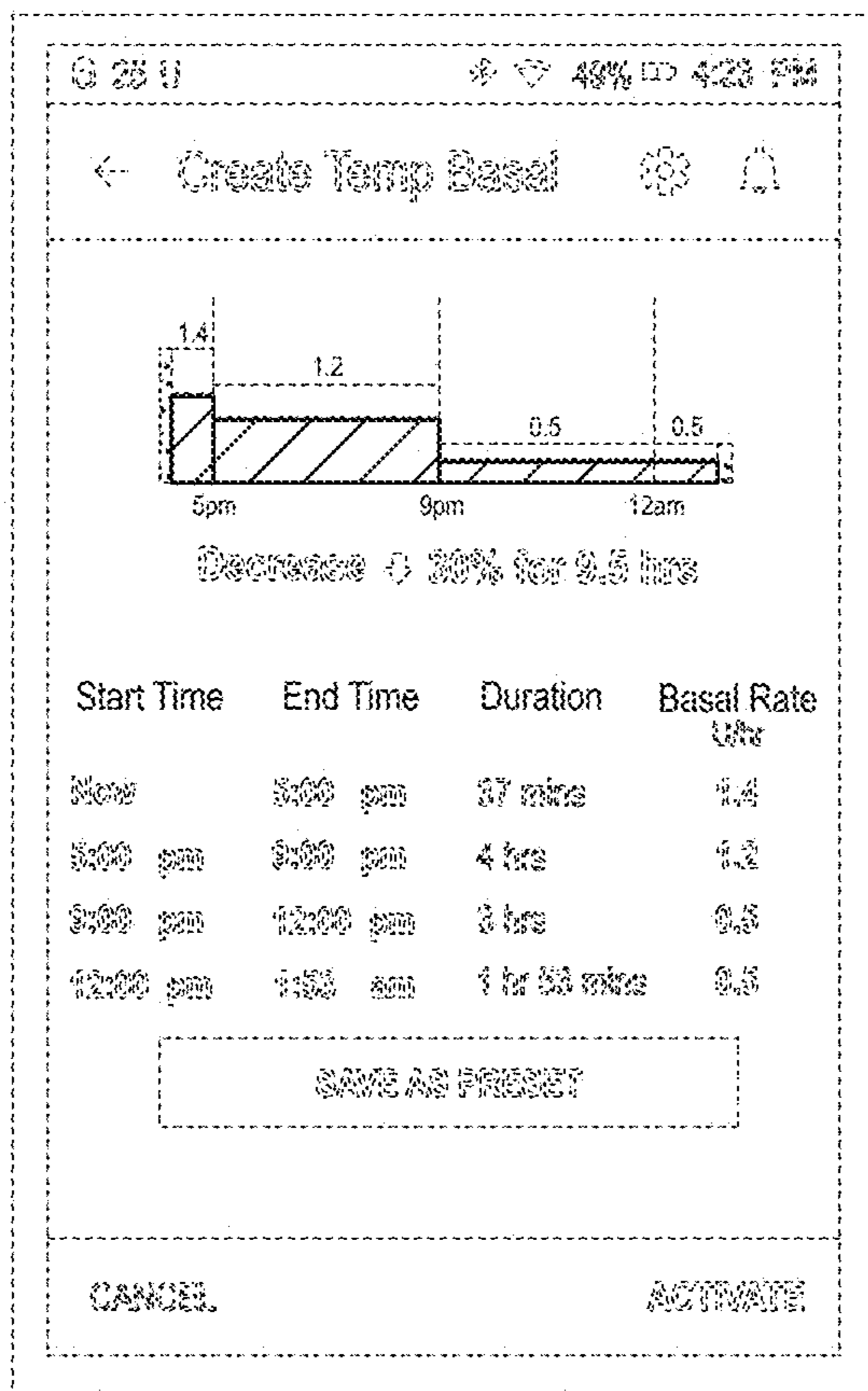


FIG. 11

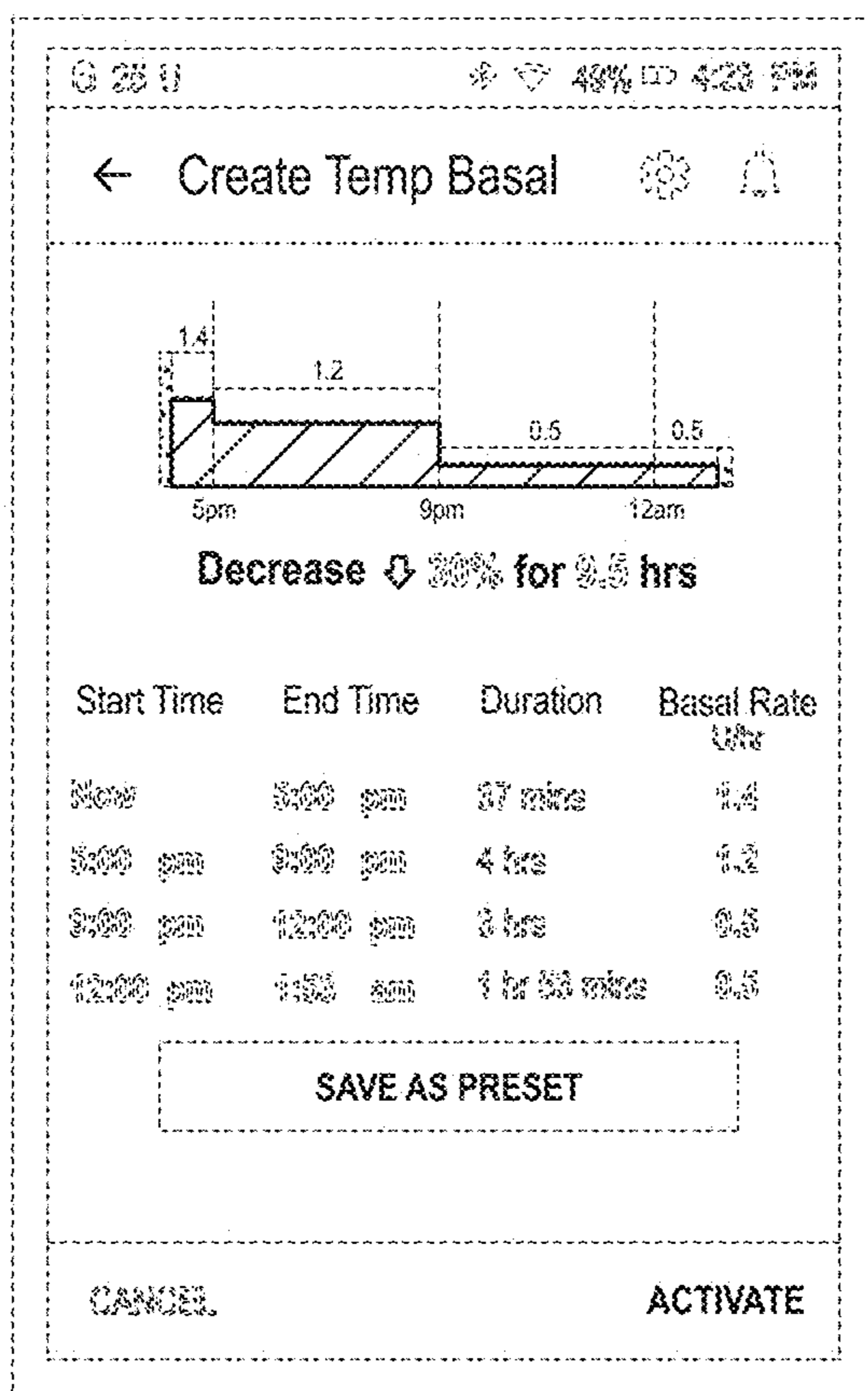


FIG. 12

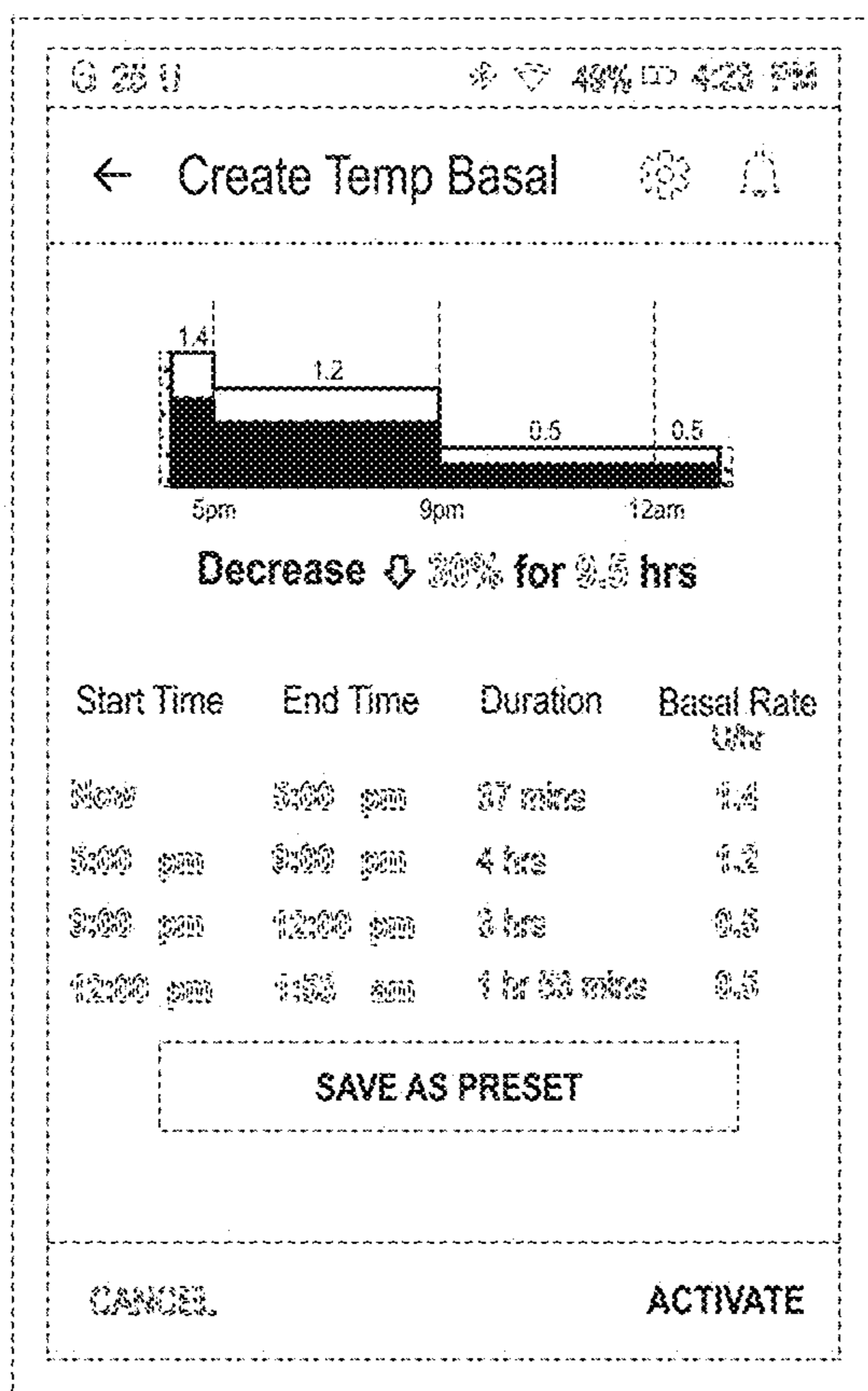


FIG. 13