



US00D872727S

(12) **United States Design Patent**  
**Chung**

(10) **Patent No.:** **US D872,727 S**

(45) **Date of Patent:** **\*\* Jan. 14, 2020**

(54) **HOLDER FOR SMART DEVICE**

(71) Applicant: **ISPEAKER CO., LTD.**, Goyang-Si,  
Gyeonggi-Do (KR)

(72) Inventor: **Young Suk Chung**, Goyang-Si (KR)

(73) Assignee: **ISPEAKER CO., LTD.** (KR)

(\*\*) Term: **15 Years**

(21) Appl. No.: **29/658,142**

(22) Filed: **Jul. 27, 2018**

(30) **Foreign Application Priority Data**

May 14, 2018 (KR) ..... 30-2018-0022289

(51) **LOC (12) Cl.** ..... **14-99**

(52) **U.S. Cl.**  
USPC ..... **D14/253; D12/415**

(58) **Field of Classification Search**  
USPC ..... D14/250-254, 217, 224, 224.1, 238.1,  
D14/299, 434, 447, 451-452, 483;  
D12/400, 415-426, 426.1, 114, 223;  
D16/242, 245; D10/74; D3/218;  
D13/107, 108; D8/363

CPC ..... B60R 11/00; B60R 11/02; B60R 11/0241;  
B60R 11/0252; B60R 2011/0003; B60R  
2011/0005; B60R 2011/0008; H04M  
1/04; H04B 1/3877; A45F 2200/0516;  
A45F 2200/0525; H05K 5/0204; F16M  
13/02; F16M 13/022; F16M 11/04; F16M  
11/041; F16B 2/12; H01F 7/0252; G03B  
17/561

See application file for complete search history.

(56) **References Cited**

**U.S. PATENT DOCUMENTS**

D553,957 S \* 10/2007 Brassard ..... D8/363  
D566,530 S \* 4/2008 Brassard ..... D8/363  
D592,205 S \* 5/2009 O'Brien ..... D12/415

D613,731 S \* 4/2010 Yeo ..... D14/253  
D614,613 S \* 4/2010 Kim ..... D14/253  
D638,008 S \* 5/2011 Richter ..... D14/253  
D654,120 S \* 2/2012 Lin ..... D14/434  
D718,297 S \* 11/2014 Aspinall ..... D14/253  
D769,235 S \* 10/2016 Li ..... D14/253  
D817,317 S \* 5/2018 Lee ..... D14/253  
D818,421 S \* 5/2018 Hu ..... D12/415  
D832,248 S \* 10/2018 Sukphist ..... D14/253  
D833,369 S \* 11/2018 Lan ..... D12/415

(Continued)

**OTHER PUBLICATIONS**

VRS Design Universal Car Phone Mount, Youtube online, post date  
Dec. 4, 2018, URL: <https://www.youtube.com/watch?v=UMj40RyZAag>, retrieved Aug. 26, 2019.\*

*Primary Examiner* — Jeffrey D Asch

*Assistant Examiner* — Rebekah A Caruso

(74) *Attorney, Agent, or Firm* — Renaissance IP Law  
Group LLP

(57) **CLAIM**

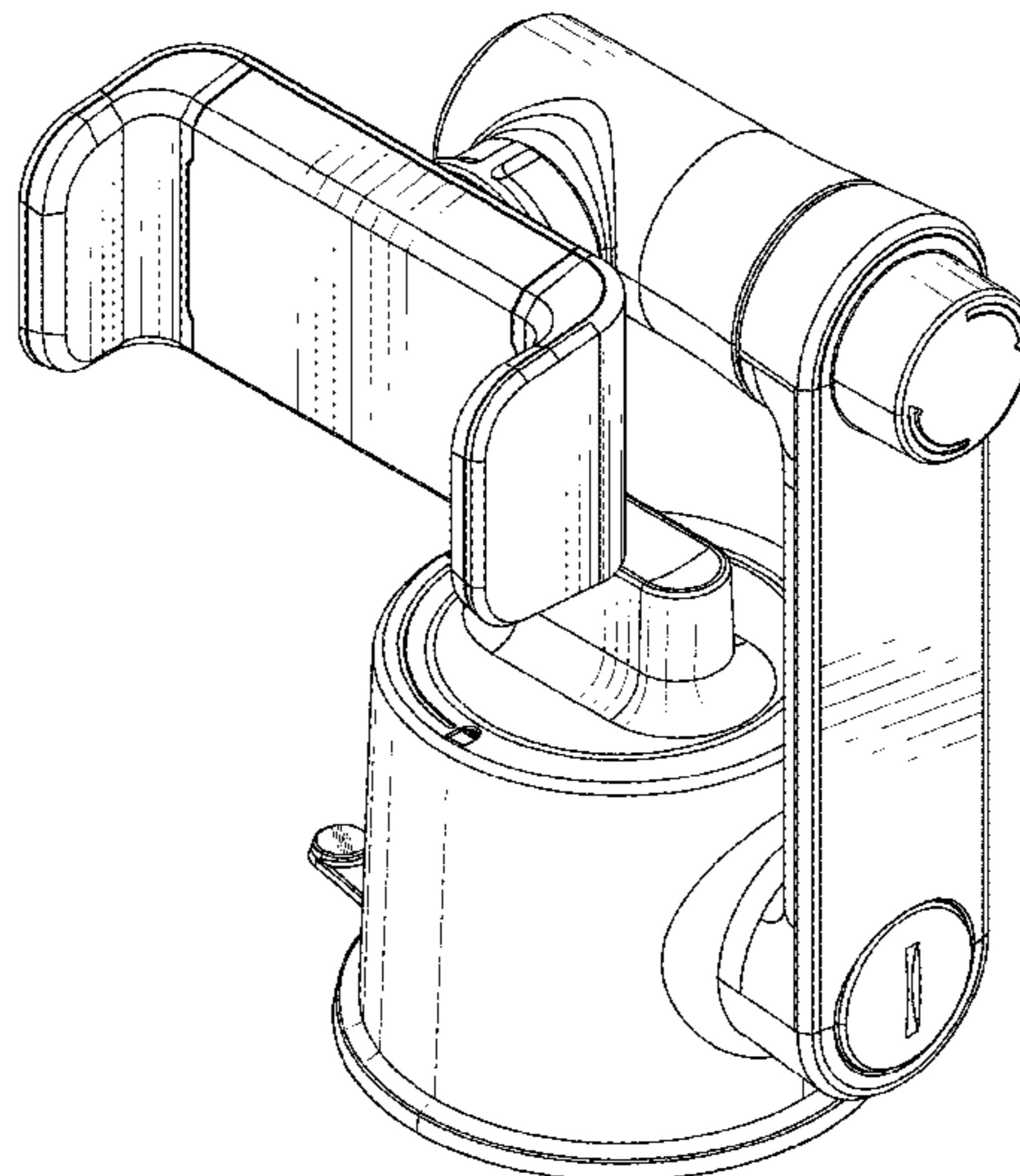
The ornamental design for a holder for smart device, as  
shown and described.

**DESCRIPTION**

FIG. 1 is a perspective view of a holder for smart device  
showing my new design;  
FIG. 2 is a rear perspective view thereof, showing the holder  
for smart device in an alternate position;  
FIG. 3 is a left elevational view thereof, showing the holder  
for smart device in the FIG. 1 position;  
FIG. 4 is a front elevational view thereof;  
FIG. 5 is a right elevational view thereof;  
FIG. 6 is a rear elevational view thereof;  
FIG. 7 is a top plan view thereof; and,  
FIG. 8 is bottom plan thereof.

The broken lines depicting a smart device in FIG. 2 repre-  
sent environmental subject matter which form no part of the  
claimed design.

**1 Claim, 8 Drawing Sheets**



(56)

**References Cited**

U.S. PATENT DOCUMENTS

D852,116 S \* 6/2019 Jun ..... D12/415  
2019/0230205 A1\* 7/2019 Lee ..... H04M 1/04

\* cited by examiner

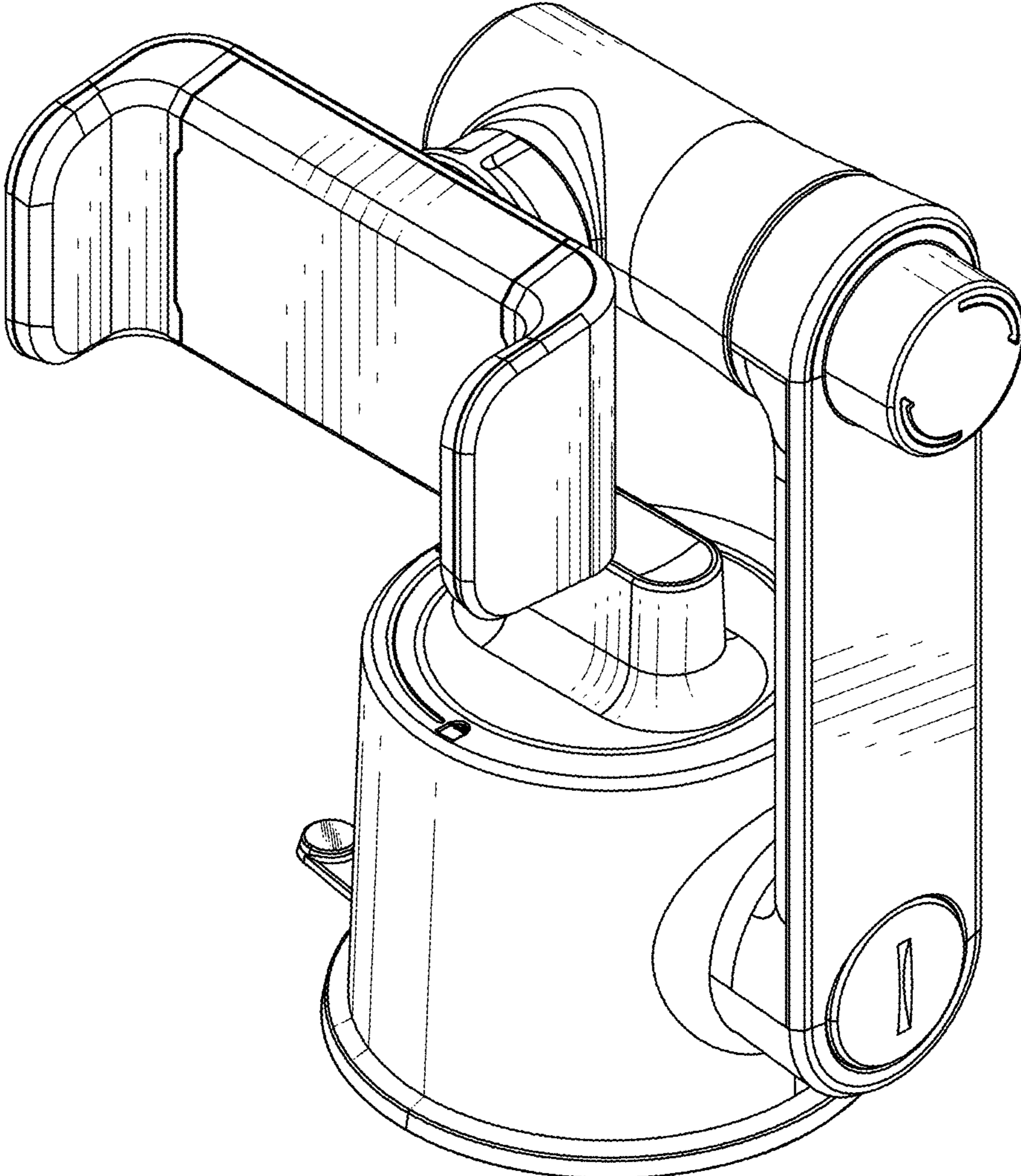


FIG. 1

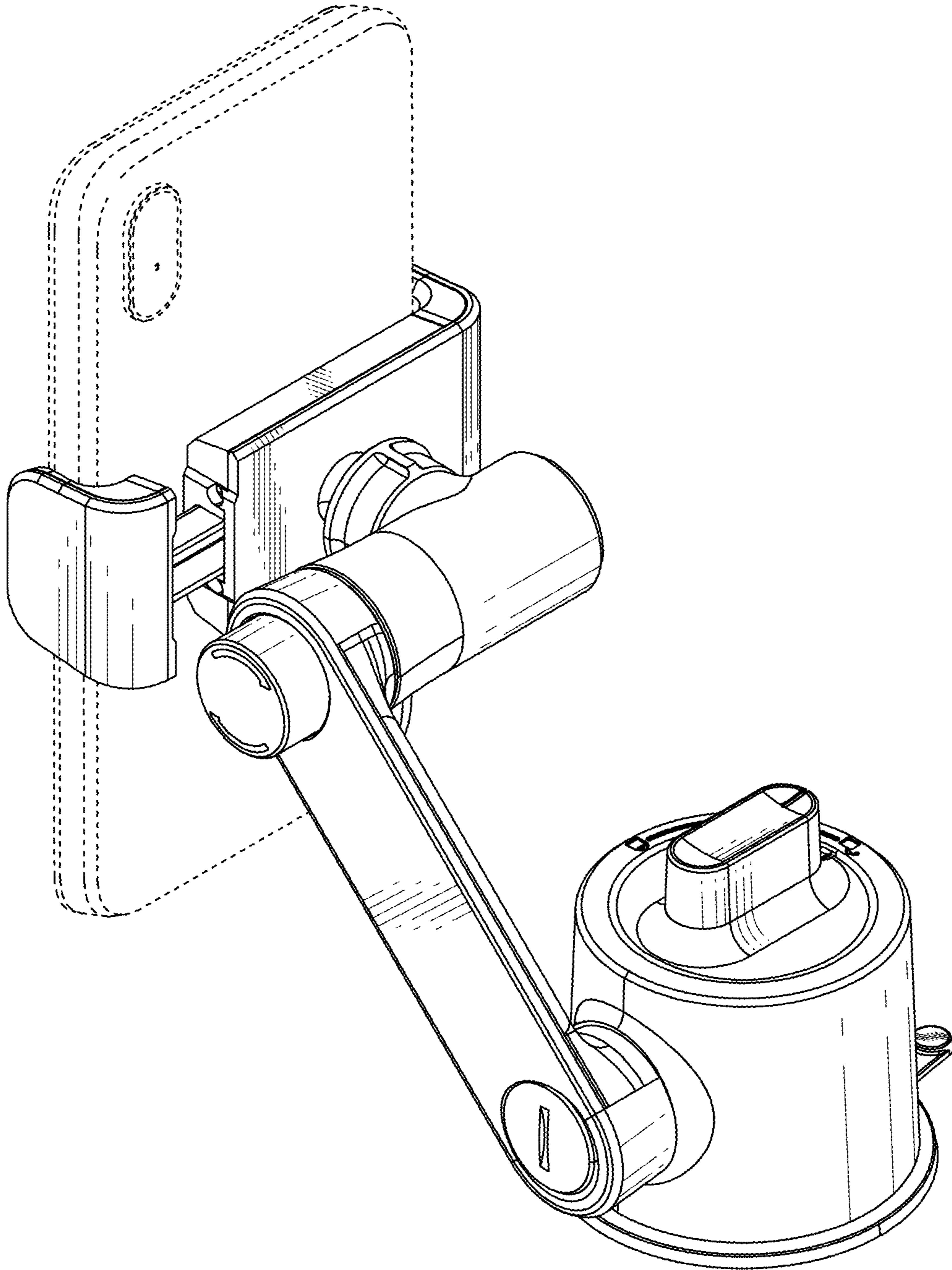
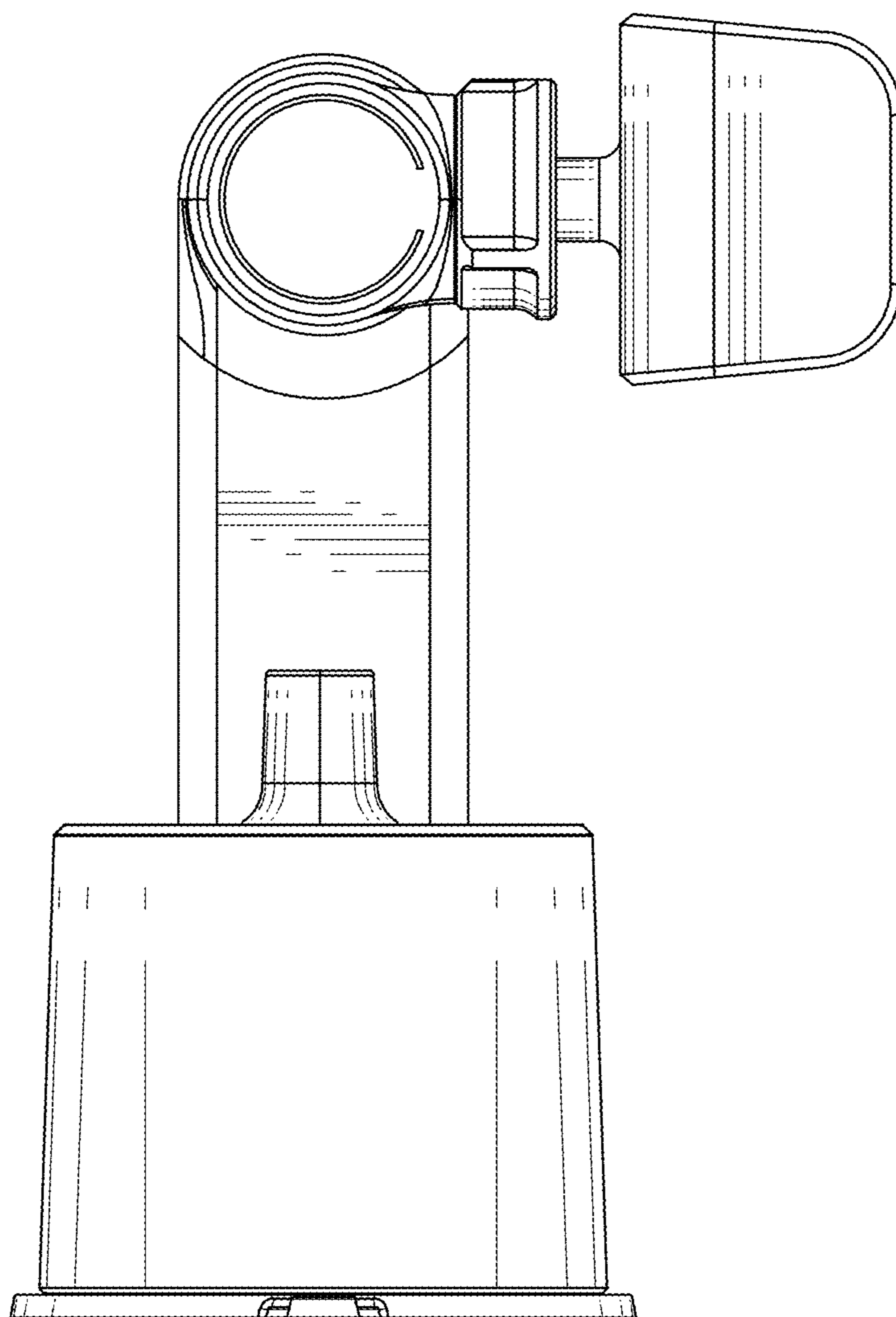


FIG. 2



*FIG. 3*

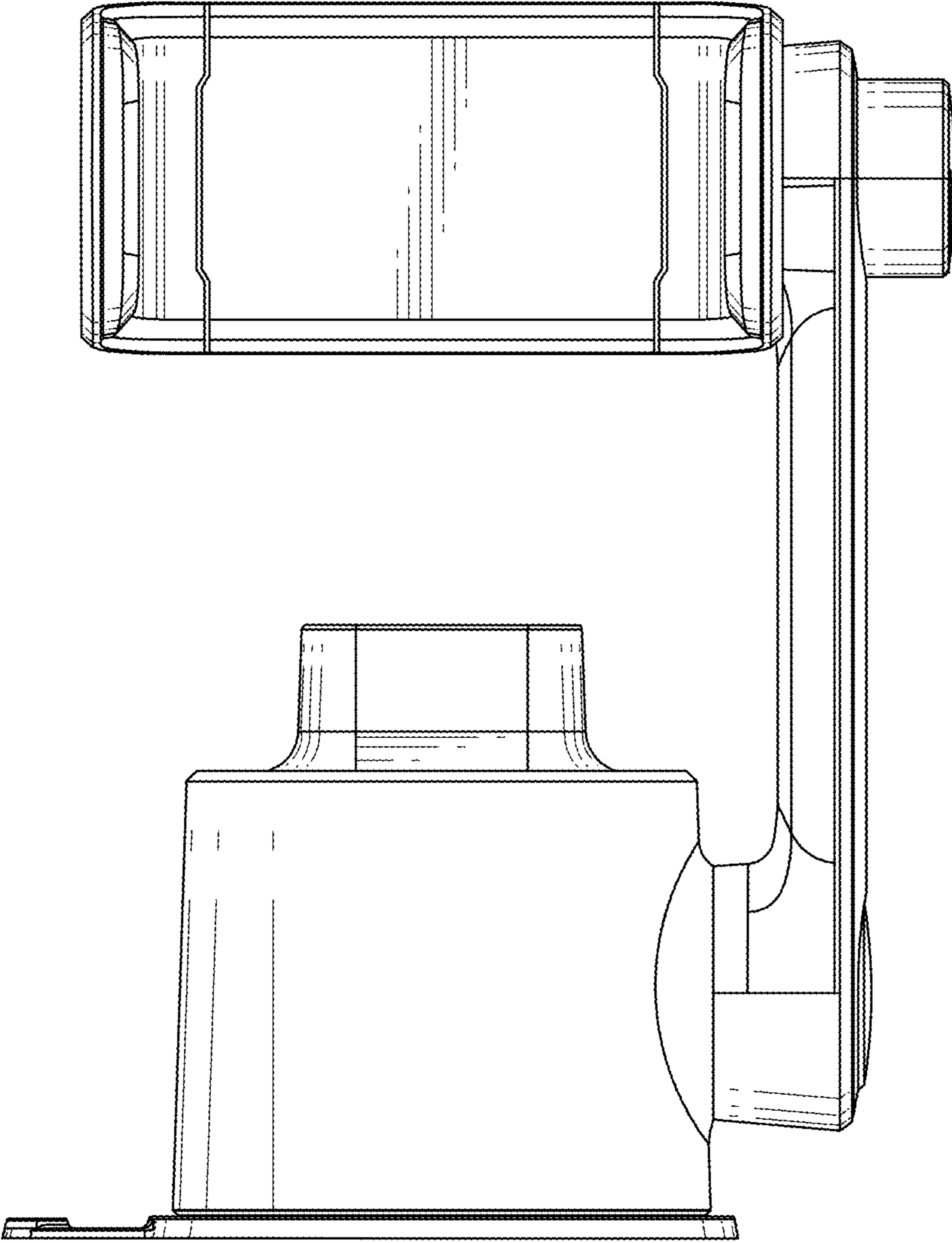
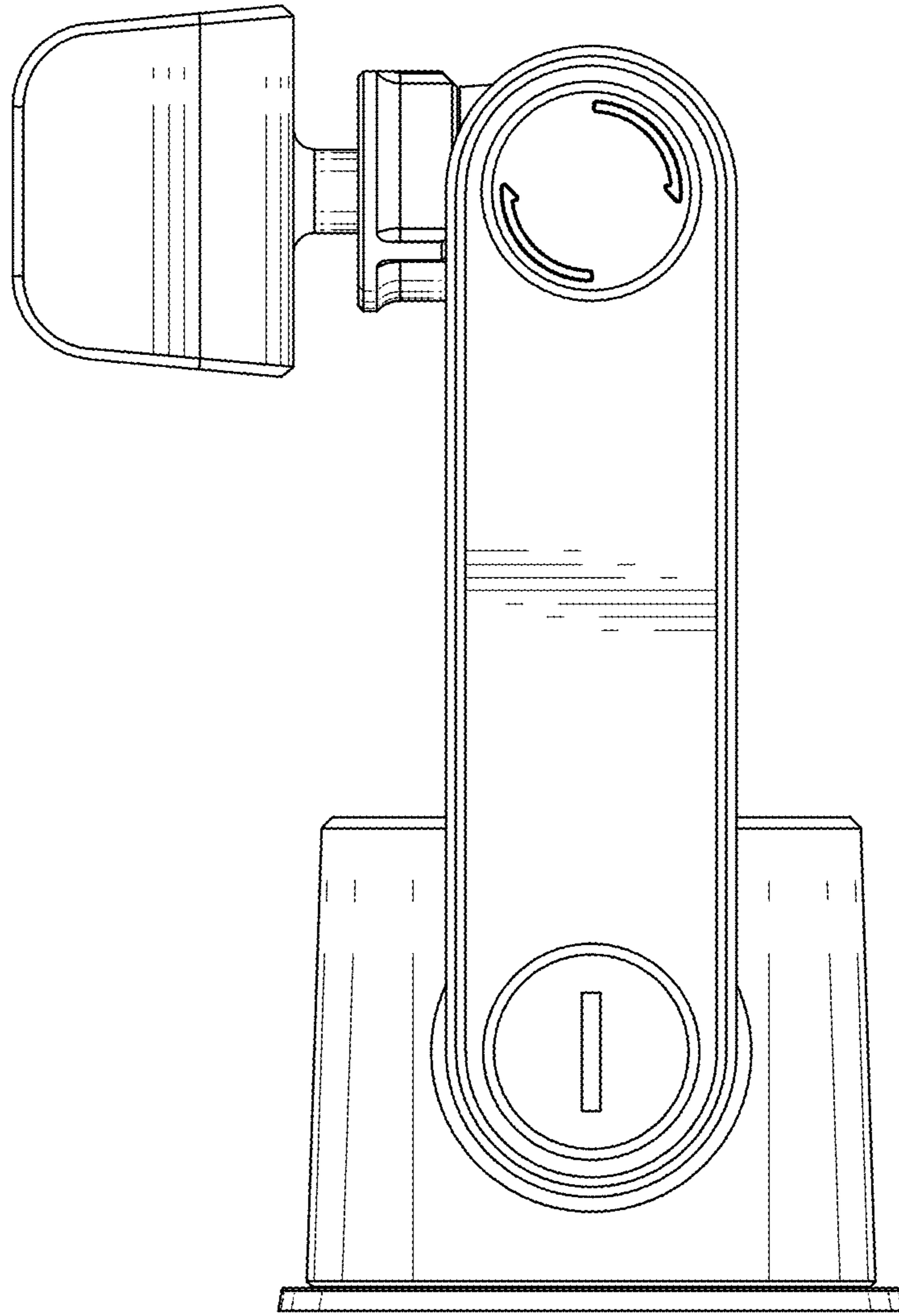


FIG. 4



*FIG. 5*

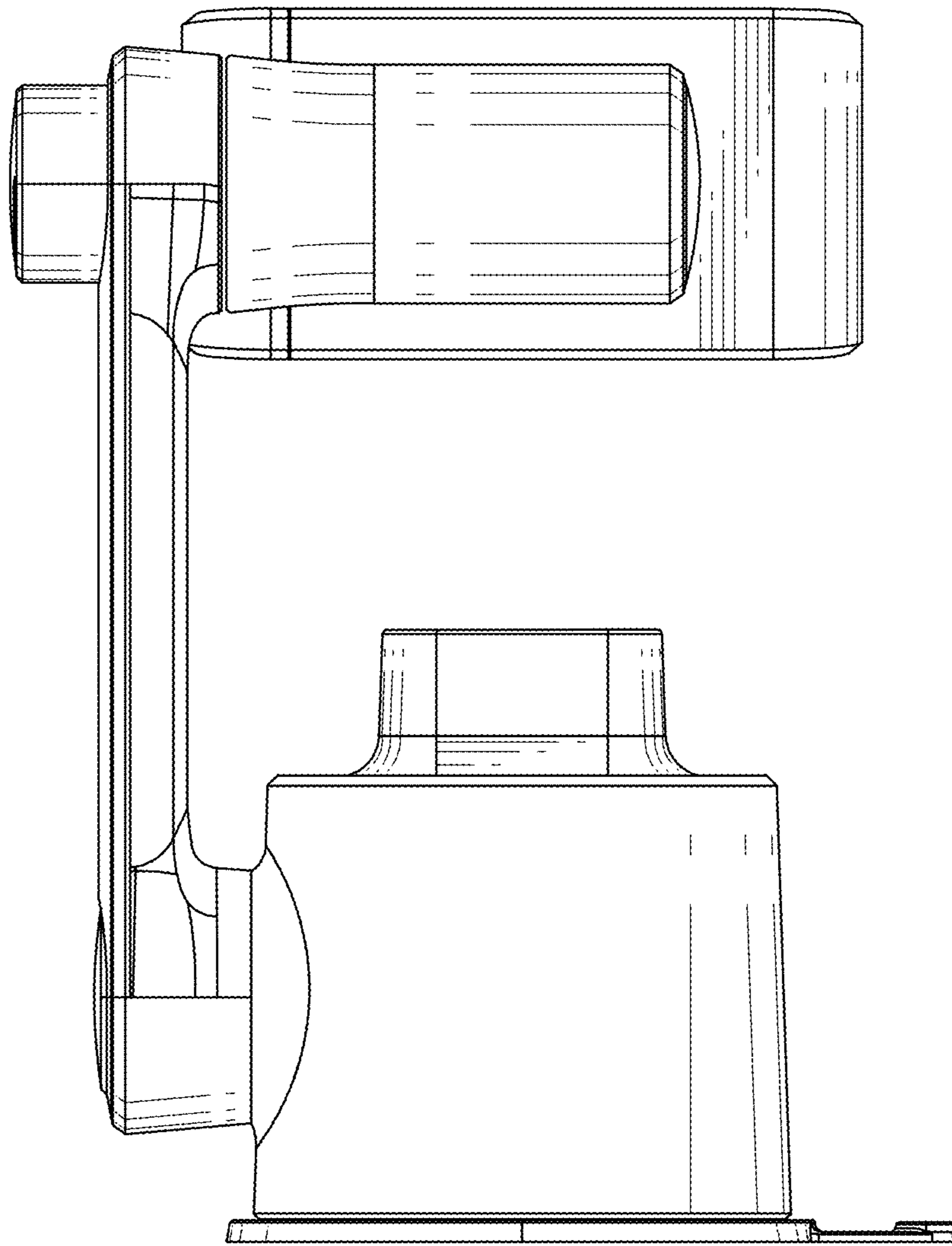
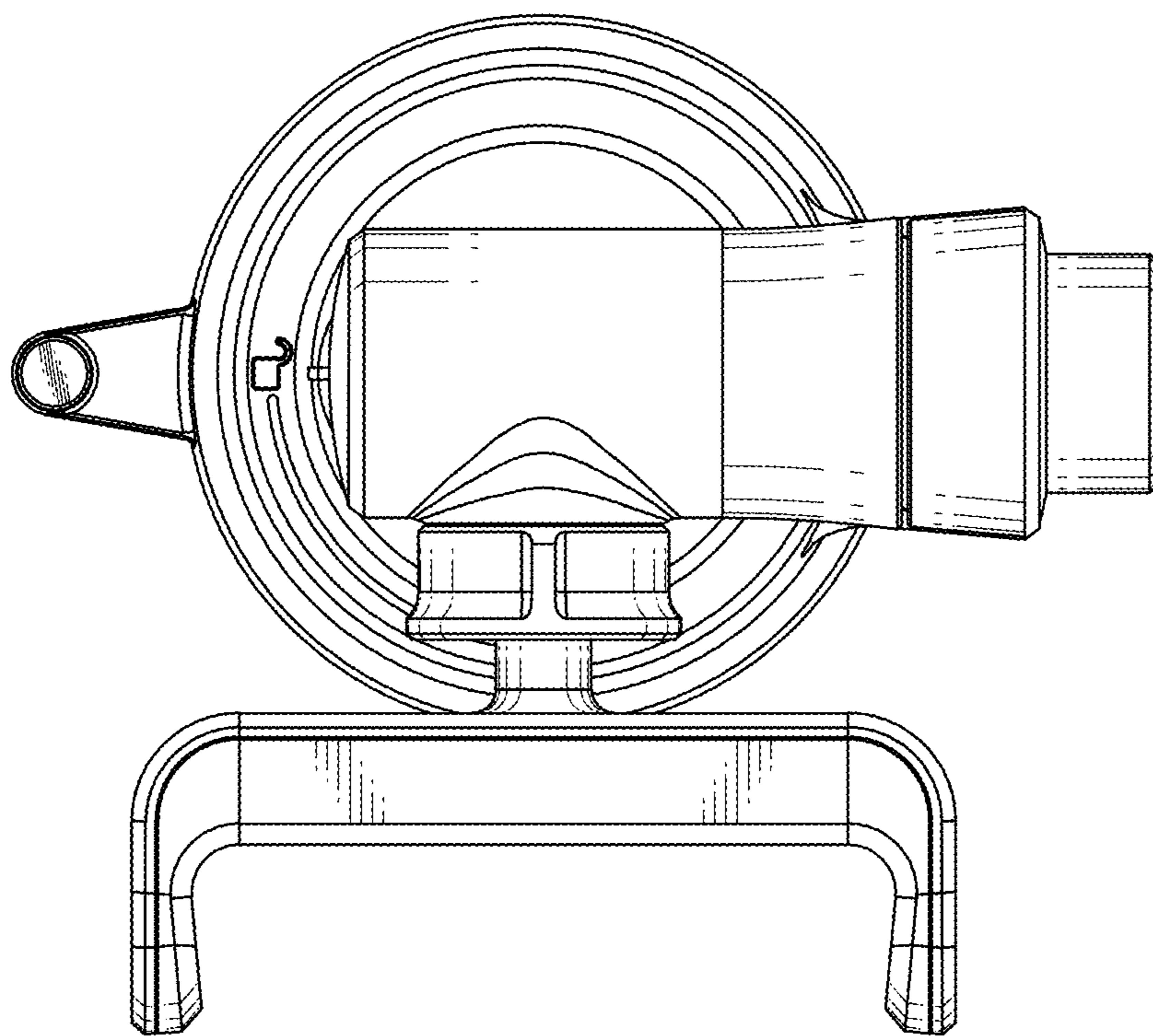
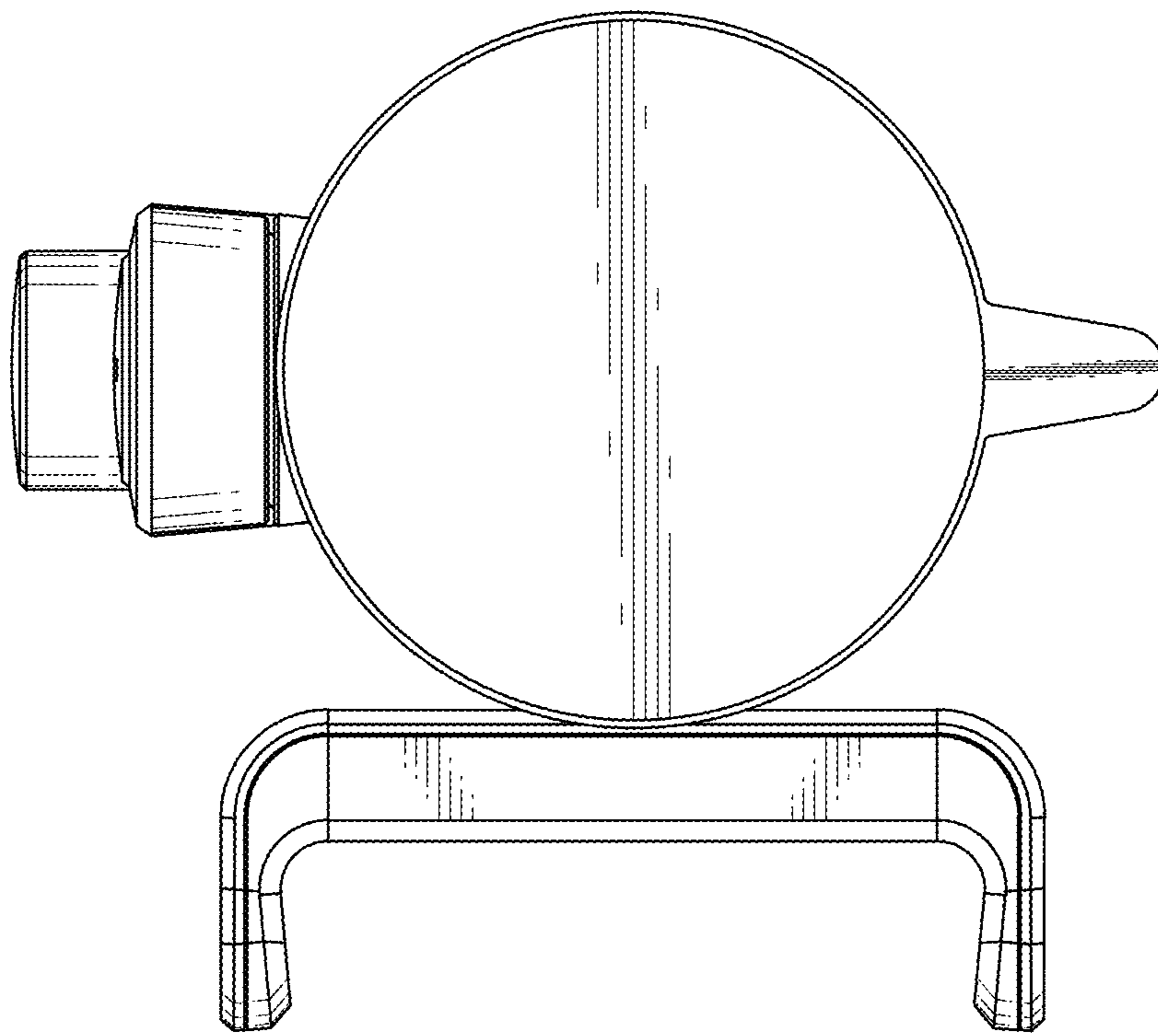


FIG. 6





*FIG. 7*



*FIG. 8*