



US00D872723S

(12) **United States Design Patent**
Lee et al.

(10) **Patent No.:** **US D872,723 S**
(45) **Date of Patent:** **** Jan. 14, 2020**

(54) **WATERPROOF HANG CASE FOR ELECTRONIC DEVICE**

(71) Applicant: **elago CO. LTD**, Goyang-si, Gyeonggi-do (KR)

(72) Inventors: **Chan Woo Lee**, Goyang-si (KR); **Chong Min Kim**, Seoul (KR)

(73) Assignee: **elago CO. LTD**, Goyang-si, Gyeonggi-Do (KR)

(**) Term: **15 Years**

(21) Appl. No.: **29/644,607**

(22) Filed: **Apr. 19, 2018**

(51) **LOC (12) Cl.** **14-03**

(52) **U.S. Cl.**
USPC **D14/250; D3/218**

(58) **Field of Classification Search**
USPC D3/201, 212, 207, 208, 218, 294, 299, D3/300, 303; D10/30; D24/201, 205, D24/217, 250, 251, 440, 447; D28/66, D28/76
CPC . H04R 1/1016; H04R 1/105; A45C 2011/001; A45C 2011/002; A45C 2011/003; B65D 2585/6835

See application file for complete search history.

(56) **References Cited**

U.S. PATENT DOCUMENTS

D393,148 S	*	4/1998	Petruzzi	D3/208
D399,604 S	*	10/1998	Wolff	D28/66
D478,721 S	*	8/2003	Anderton	D3/208
D503,851 S	*	4/2005	Landow	D3/212
D569,608 S	*	5/2008	Rowe	D3/203.1
D570,597 S	*	6/2008	Klein	D14/484.1

(Continued)

OTHER PUBLICATIONS

This AirPods Accessory is strangely awesome—Catalyst AirPods Case, publication date Apr. 7, 2017, [online][site visited Sep. 9, 2019] URL: <https://www.cnet.com/news/coming-soon-a-waterproof-case-for-your-airpods-case/> (Year: 2017).*

(Continued)

Primary Examiner — Susan E. Krakower

Assistant Examiner — L. A. Grabenstetter

(74) *Attorney, Agent, or Firm* — Paratus Law Group, PLLC

(57) **CLAIM**

The ornamental design for a waterproof hang case for electronic device, as shown and described.

DESCRIPTION

FIG. 1 is a front, top and right perspective view of waterproof hang case for electronic device showing claimed design;

FIG. 2 is a front view thereof;

FIG. 3 is a back view thereof;

FIG. 4 is a left side view thereof;

FIG. 5 is a right side view thereof;

FIG. 6 is a top view thereof;

FIG. 7 is a bottom view thereof;

FIG. 8 is a front, bottom and left perspective view thereof;

FIG. 9 is a front, bottom and right perspective view thereof with a bottom packing open in use;

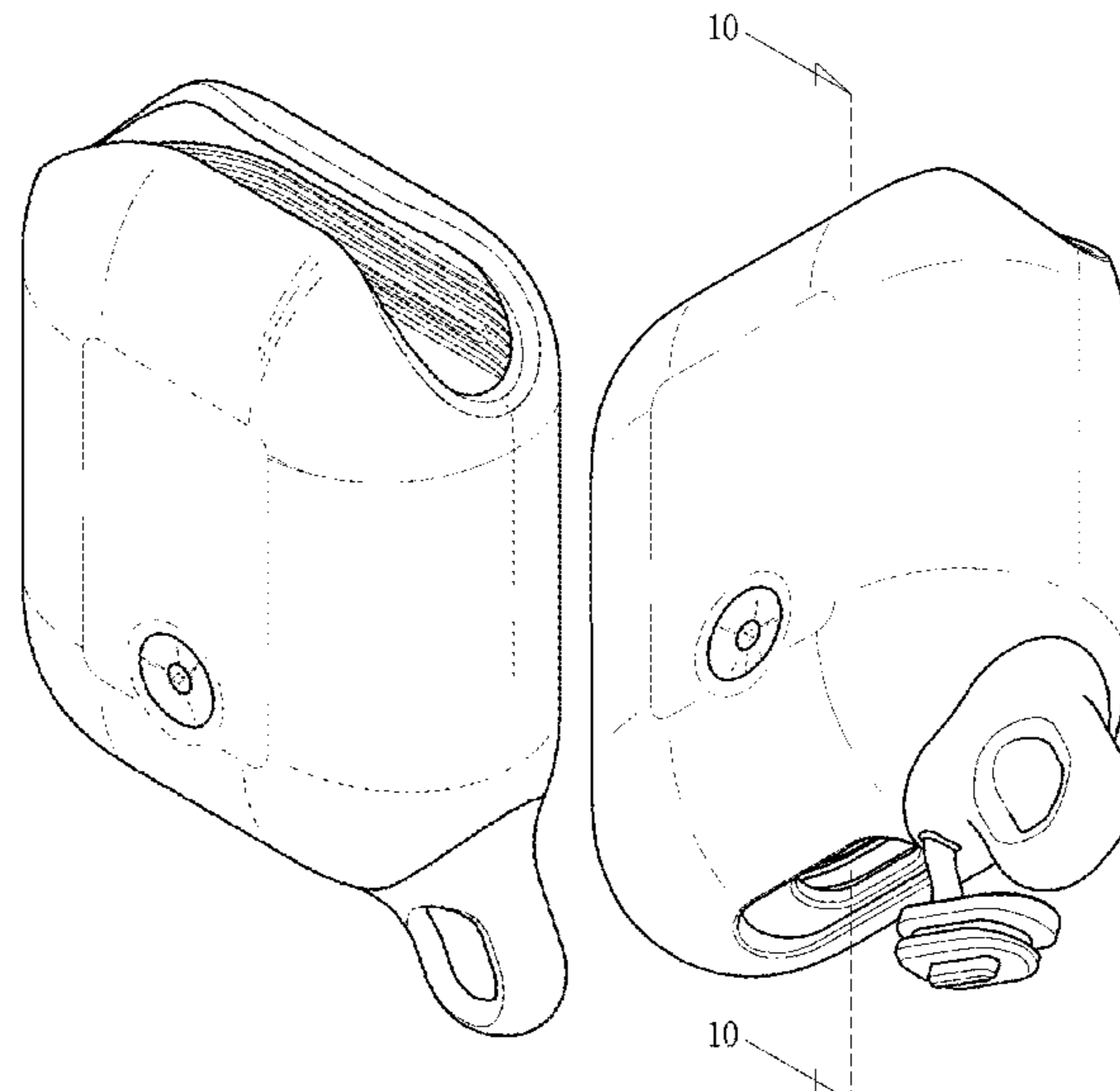
FIG. 10 is a cross-sectional view taken along line 10-10 shown in FIG. 9;

FIG. 11 is a cross-sectional view taken along line 11-11 shown in FIG. 3; and,

FIG. 12 is a cross-sectional view taken along line 11-11 shown in FIG. 3, with an upper part being folded outside in use.

The broken lines depict environment and form no part of the claimed design.

1 Claim, 11 Drawing Sheets



(56)

References Cited

U.S. PATENT DOCUMENTS

D604,040 S * 11/2009 Fleming D3/207
D623,399 S * 9/2010 McSweyn D14/480.5
D666,408 S * 9/2012 Neely, III D3/208
D669,272 S * 10/2012 Yang D3/303
D692,664 S * 11/2013 Rashid D3/303
D707,041 S * 6/2014 Park D3/215
D711,866 S * 8/2014 Kawata D14/250
D720,718 S * 1/2015 Stevinson D14/205
D735,991 S * 8/2015 Brennan D3/218
D740,653 S * 10/2015 Akana D9/418
D751,558 S * 3/2016 Lee D10/103
D766,905 S * 9/2016 Lee D14/440
D769,879 S * 10/2016 Kim D14/440
D775,818 S * 1/2017 Ingraham D3/218
D780,740 S * 3/2017 Kim D14/250
D790,512 S * 6/2017 Lee D14/217
D794,617 S 8/2017 Wright et al.
D794,618 S * 8/2017 Wright D14/203.3
D800,700 S * 10/2017 Bergman D14/217
D806,388 S * 1/2018 Akana D3/294

OTHER PUBLICATIONS

This glow-in-the-dark,waterproof AirPods case—Catalist AirPods Case, publication date Apr. 14, 2017, [online][site visited Sep. 9, 2019] URL: <https://www.theverge.com/circuitbreaker/2017/4/14/15306100/catalyst-case-airpods-sale-glow-in-the-dark> (Year: 2017).*

* cited by examiner

FIG. 1

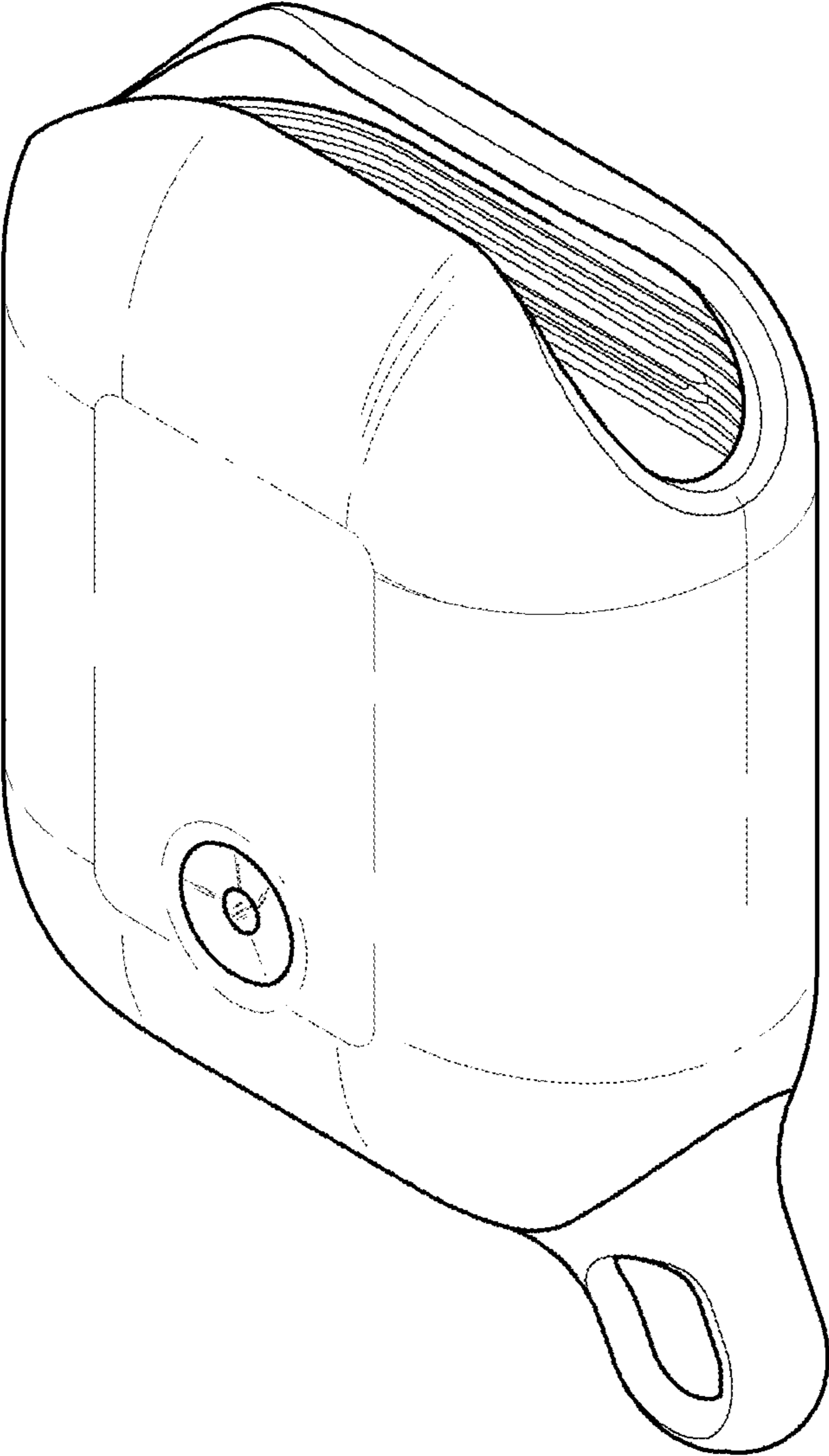


FIG. 2

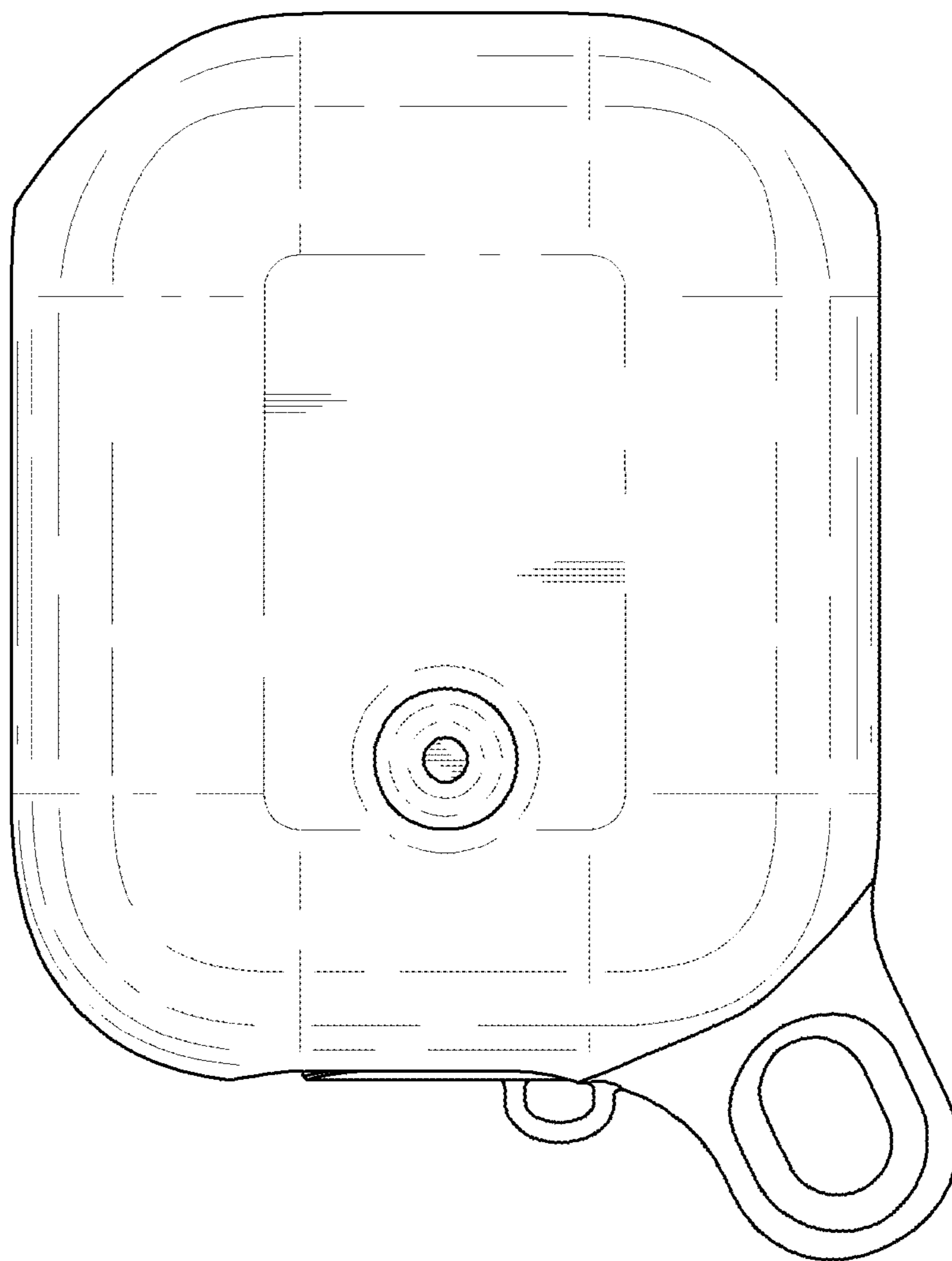


FIG. 3

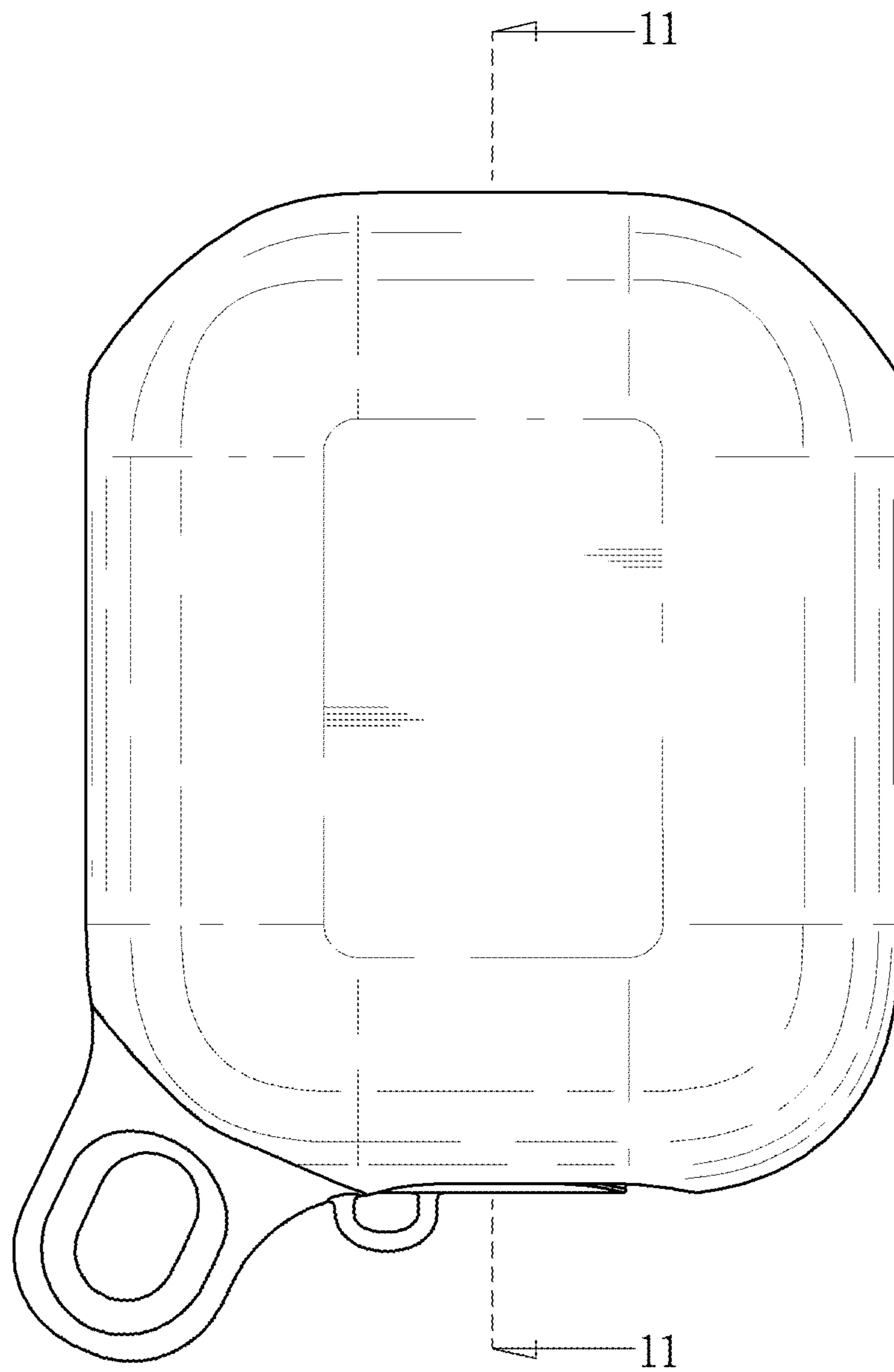


FIG. 4

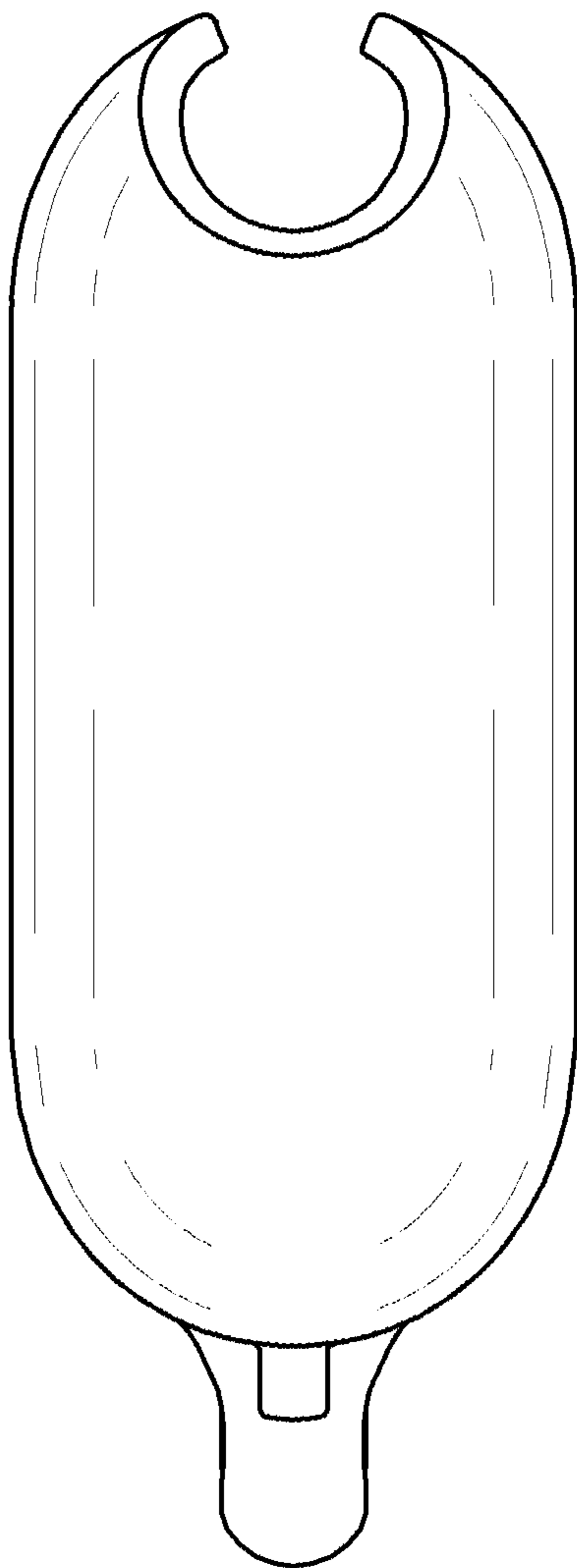


FIG. 5

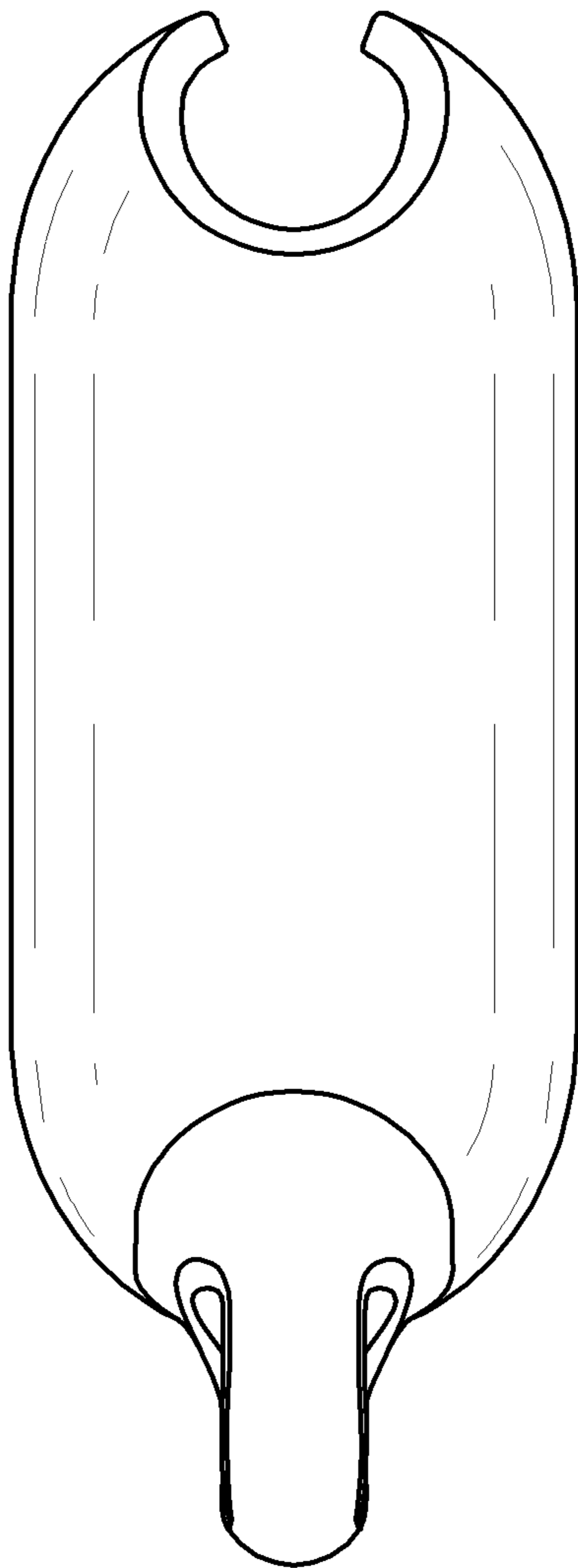


FIG. 6

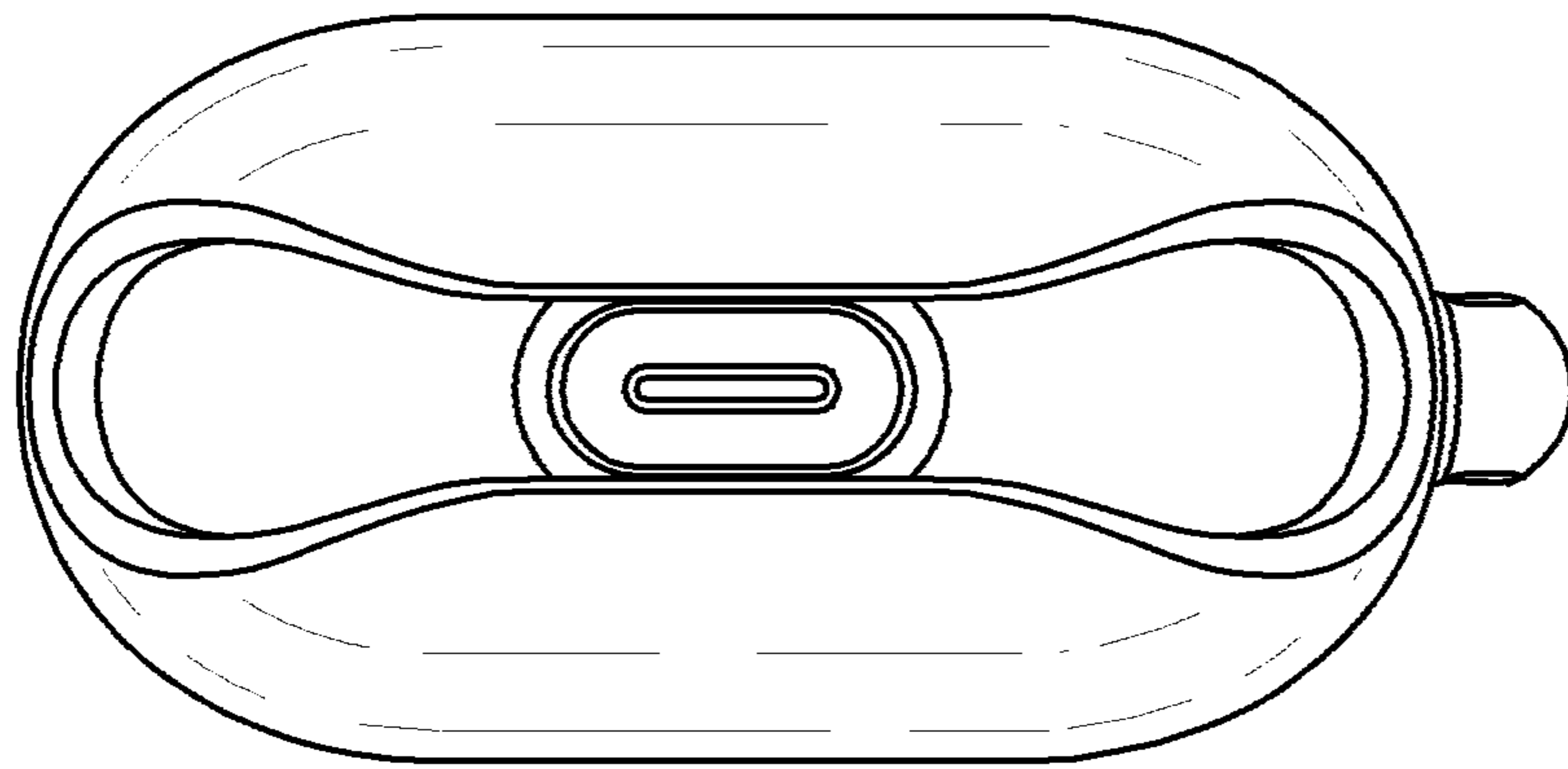


FIG. 7

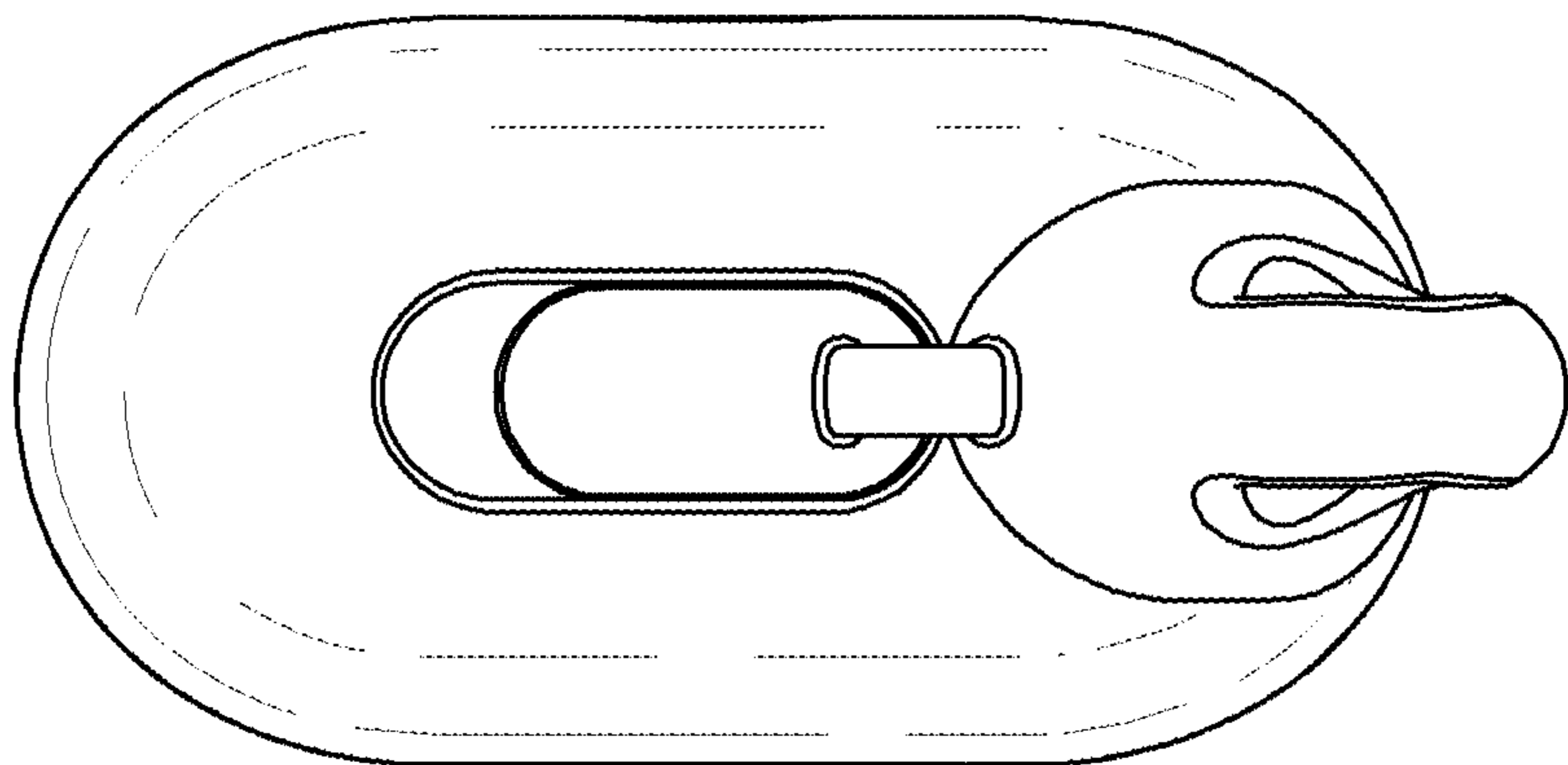


FIG. 8

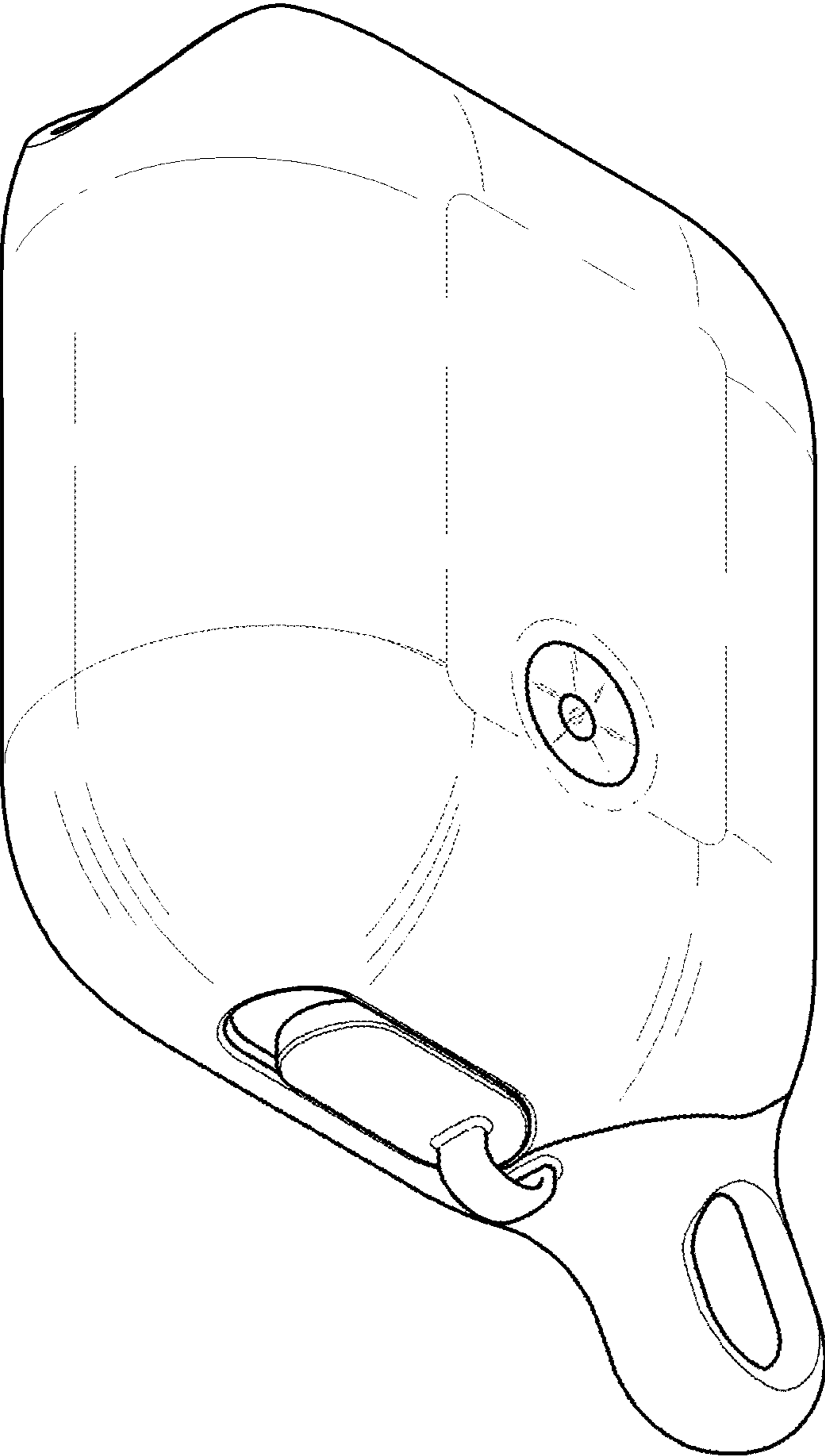


FIG. 9

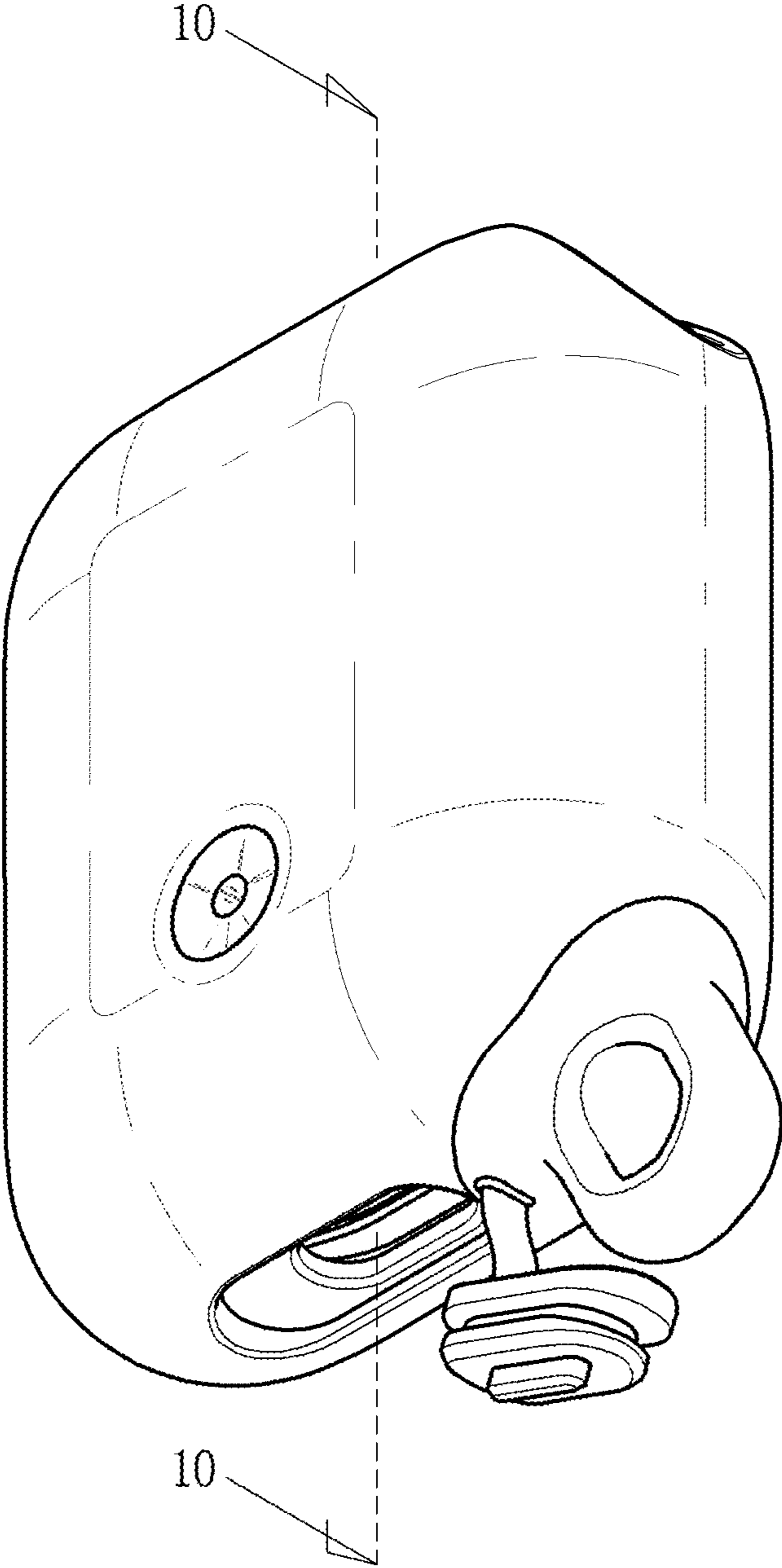


FIG. 10

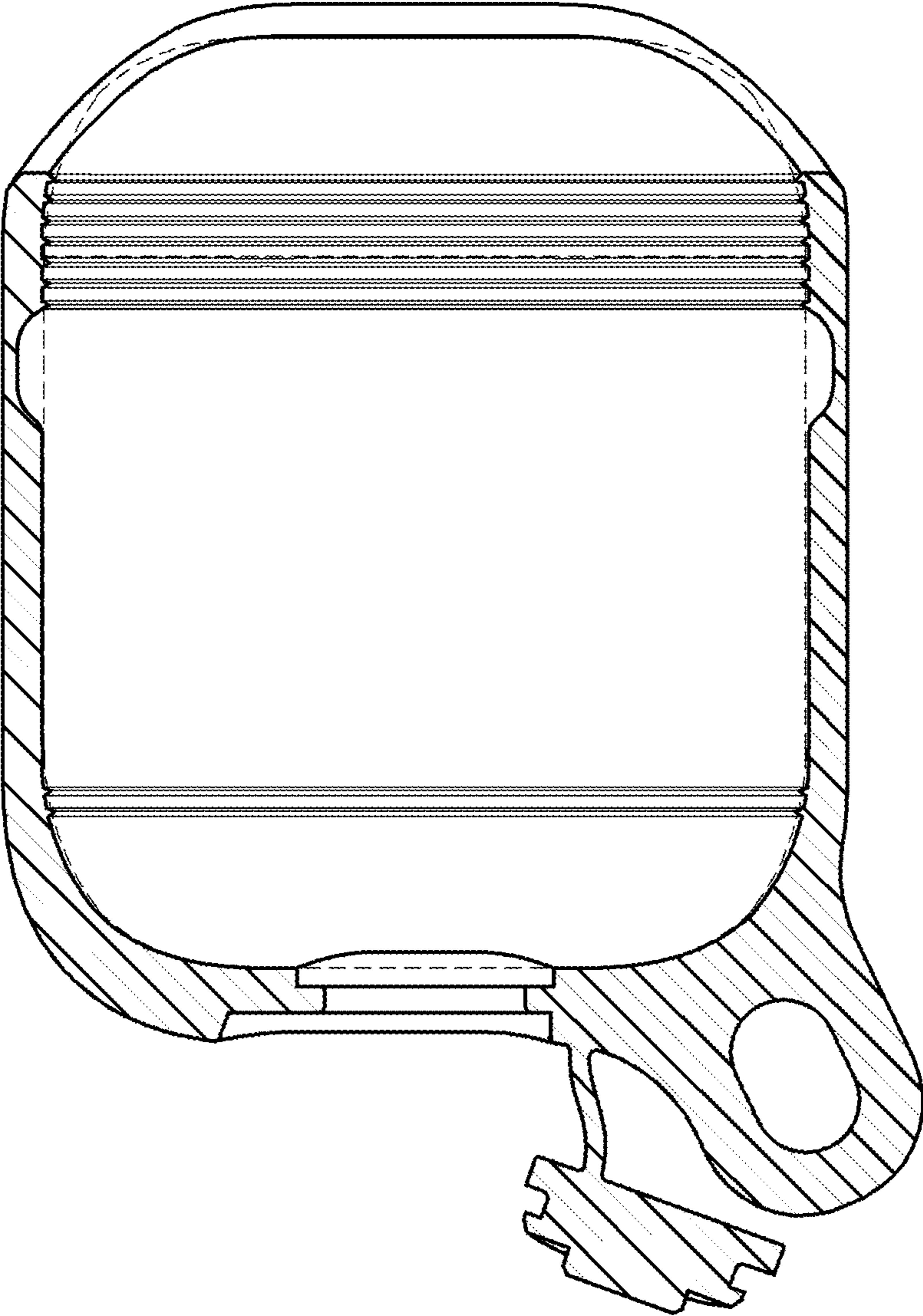


FIG. 11

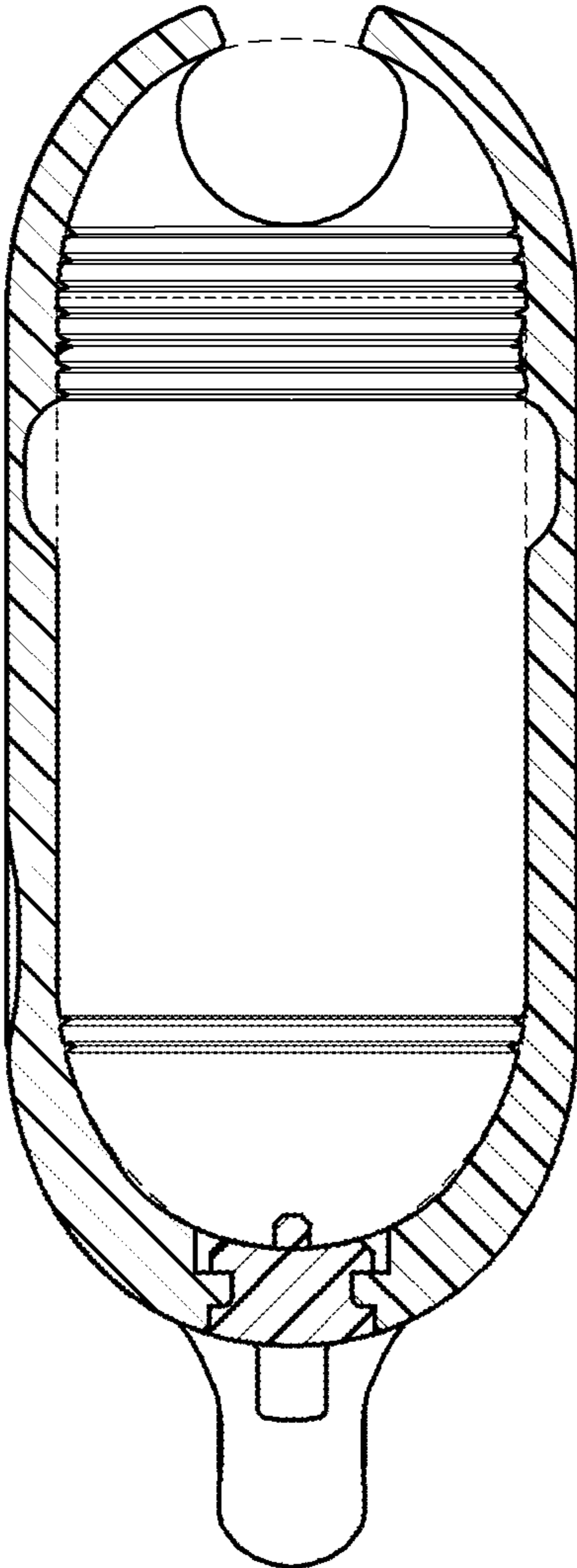


FIG. 12

