

US00D872722S

(12) **United States Design Patent**
Zhou

(10) **Patent No.:** **US D872,722 S**
(45) **Date of Patent:** **** Jan. 14, 2020**

(54) **PROTECTIVE CASE FOR MOBILE PHONE**

(71) Applicant: **SHENZHEN XUXINGCHUANGCHEN TECHNOLOGY LIMITED COMPANY**, Shenzhen, Guangdong (CN)

(72) Inventor: **Xiaoxia Zhou**, Baoding (CN)

(73) Assignee: **SHENZHEN XUXINGCHUANGCHEN TECHNOLOGY LIMITED COMPANY**, Shenzhen, Guangdong Province (CN)

(**) Term: **15 Years**

(21) Appl. No.: **29/628,738**

(22) Filed: **Dec. 7, 2017**

(51) **LOC (12) Cl.** **14-03**

(52) **U.S. Cl.**
USPC **D14/250**

(58) **Field of Classification Search**
USPC D14/250
CPC A45C 2011/002
See application file for complete search history.

(56) **References Cited**

U.S. PATENT DOCUMENTS

D714,054 S *	9/2014	Kershenstein	D3/269
D729,522 S *	5/2015	Kim	D3/218
D737,828 S *	9/2015	Albano	D14/440
D738,620 S *	9/2015	Schmole	D3/249
D745,780 S *	12/2015	Feng	D3/269
D750,888 S *	3/2016	Johnson	D3/249
D762,615 S *	8/2016	Kim	D14/203.4
D767,888 S *	10/2016	Kim	D3/249
D777,421 S *	1/2017	Grote	D14/250
D779,472 S *	2/2017	Lee	D14/250

D779,473 S *	2/2017	Lee	D14/250
D779,474 S *	2/2017	Kim	D14/250
D794,952 S *	8/2017	Feng	D3/247
D796,837 S *	9/2017	Wu	D3/265
D806,378 S *	1/2018	Lerenthal	D3/201
D816,181 S *	4/2018	Chen	D22/117

(Continued)

OTHER PUBLICATIONS

HOOMIL iPhone 6 Case, posted at amazon.co.uk, posting date by Jul. 10, 2017, [online], [site visited Mar. 25, 2019]. Available from Internet, URL: <https://www.amazon.co.uk/HOOMIL-iPhone-Premium-Leather-Apple/dp/B01MT4A6RN/> (Year: 2017).*

(Continued)

Primary Examiner — George D. Kirschbaum

Assistant Examiner — Marie J Edwards

(74) *Attorney, Agent, or Firm* — Li & Cai Intellectual Property (USA) Office

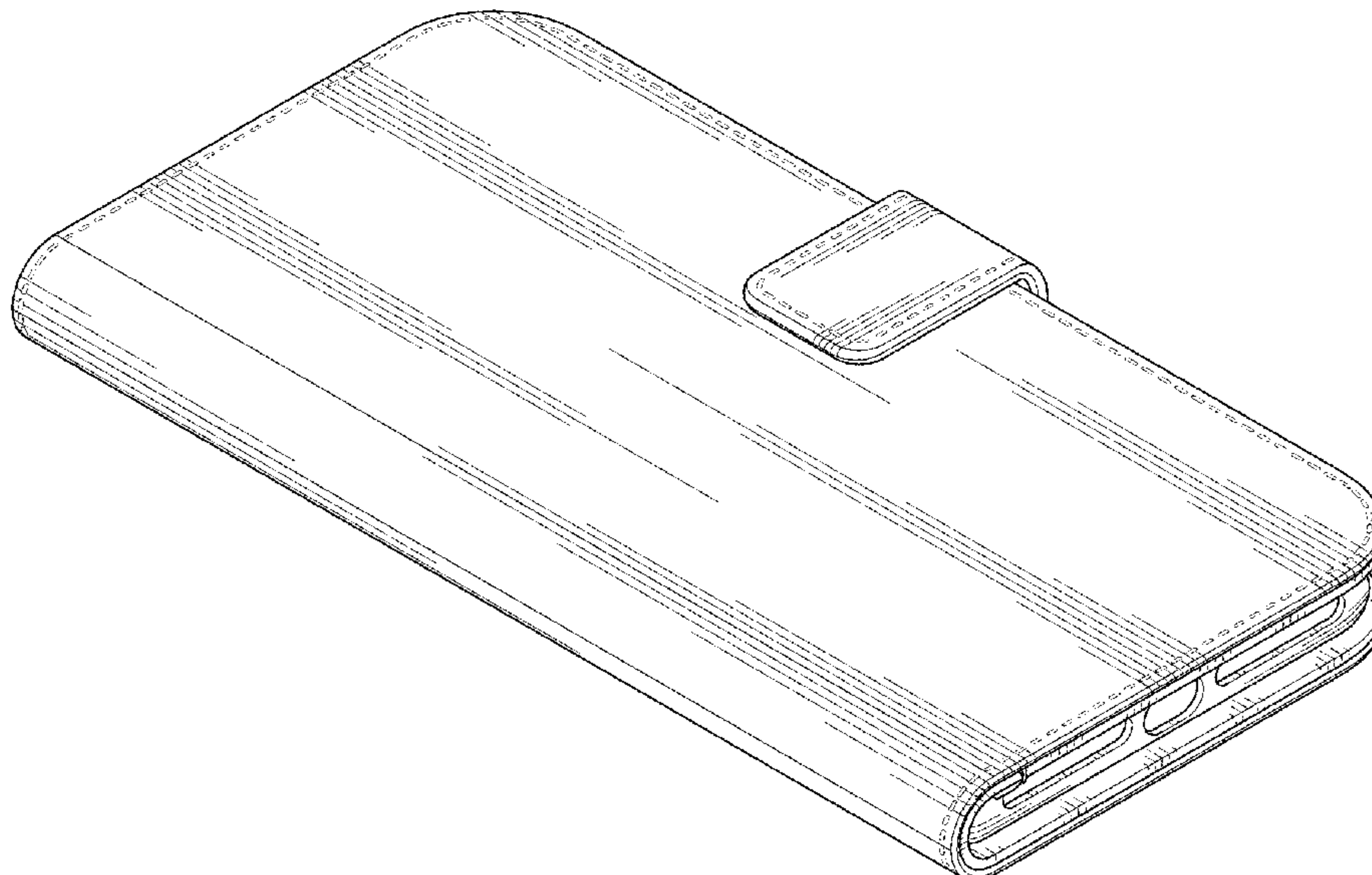
(57) **CLAIM**

The ornamental design for a “protective case for mobile phone”, as shown and described.

DESCRIPTION

FIG. 1 is a left, top and front perspective view of a protective case for mobile phone showing my new design;
FIG. 2 is a front elevational view thereof;
FIG. 3 is a rear elevational view thereof;
FIG. 4 is a left side elevational view thereof;
FIG. 5 is a right side elevational view thereof;
FIG. 6 is a top plan view thereof;
FIG. 7 is a bottom plan view thereof;
FIG. 8 is a left, bottom and front perspective view thereof; and,
FIG. 9 is a top plan view thereof, shown in an open position. The broken lines illustrate portions of the protective case for mobile phone and form no part of the claimed design.

1 Claim, 7 Drawing Sheets



(56)

References Cited

U.S. PATENT DOCUMENTS

D816,987 S * 5/2018 Grote D3/218
D822,989 S * 7/2018 Persson D3/249
D837,195 S * 1/2019 Kaiser D14/250
D842,289 S * 3/2019 Feng D14/250
2015/0155902 A1* 6/2015 Lin H04B 1/3888
455/575.8

OTHER PUBLICATIONS

HOOMIL iPhone 7 Plus Case, posted at amazon.co.uk, posting date by Jul. 11, 2017, [online], [site visited Mar. 25, 2019]. Available from Internet, URL: <https://www.amazon.co.uk/HOOMIL-iPhone-Premium-Leather-Apple/dp/B072118XQ7> (Year: 2017).*

Shieldon iPhone 8 Plus Wallet Case, posted at amazon.com, posting date by Aug. 31, 2016, [online], [site visited Mar. 25, 2019]. Available from Internet, URL: <https://www.amazon.com/dp/B074QPH6GL/> (Year: 2016).*

TUCCH iPhone 8 Plus Wallet Case, posted at amazon.co.uk, posting date by Sep. 19, 2016, [online], [site visited Mar. 25, 2019]. Available from Internet, URL: <https://www.amazon.com/iPhone-TUCCH-Leather-Carry-All-Compatible/dp/B01LABLMEA> (Year: 2016).*

* cited by examiner

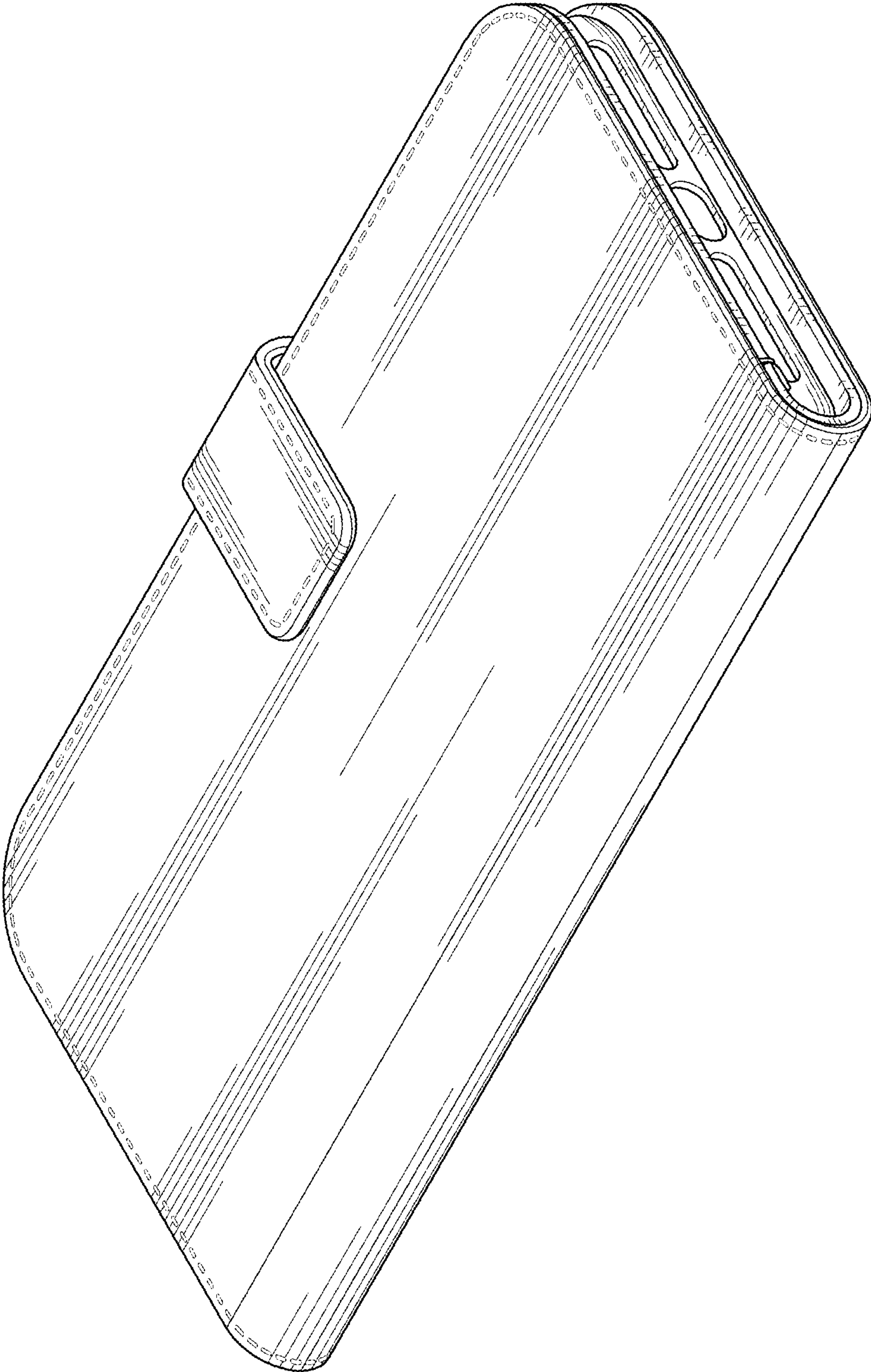


FIG. 1

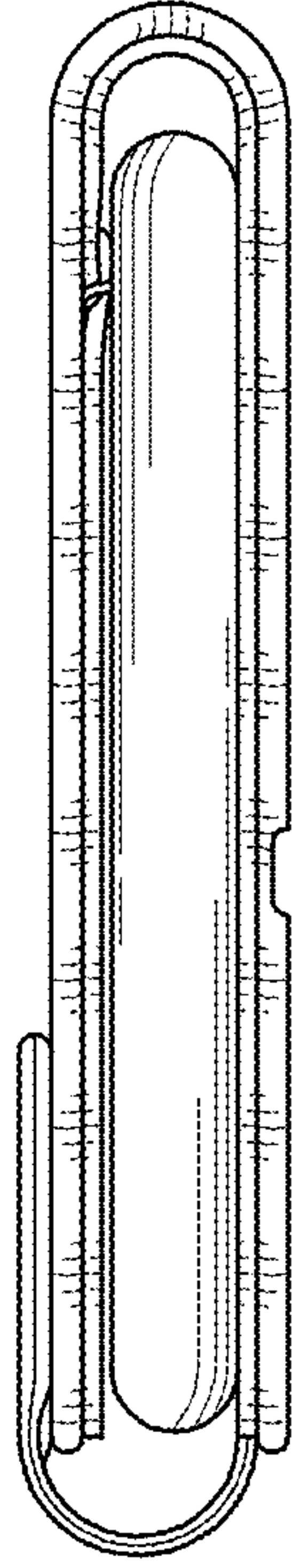


FIG. 3

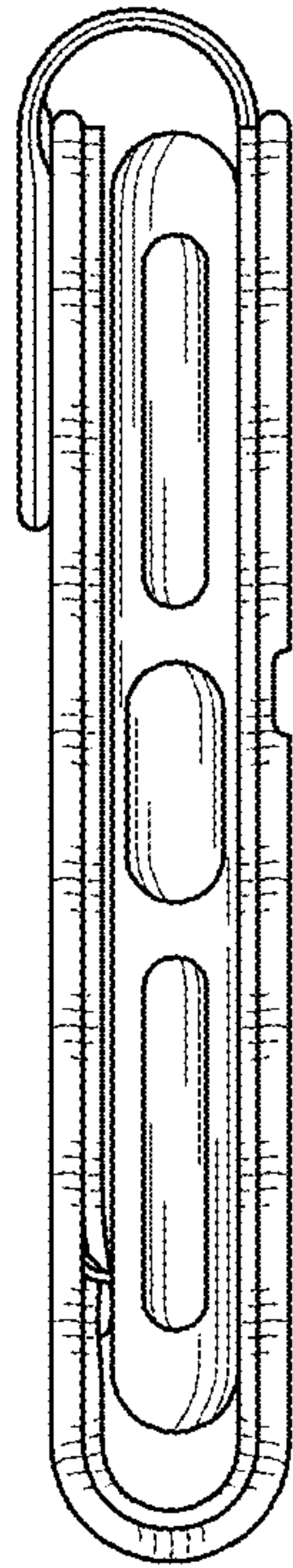


FIG. 2

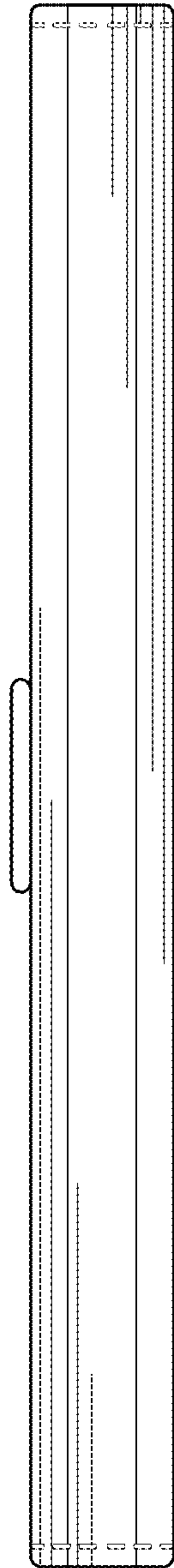


FIG. 4

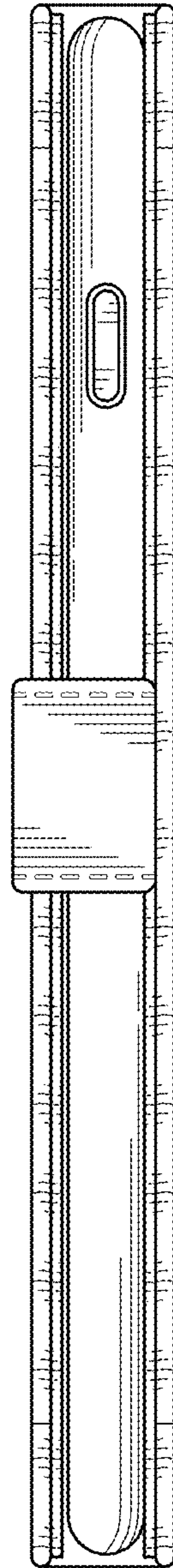


FIG. 5

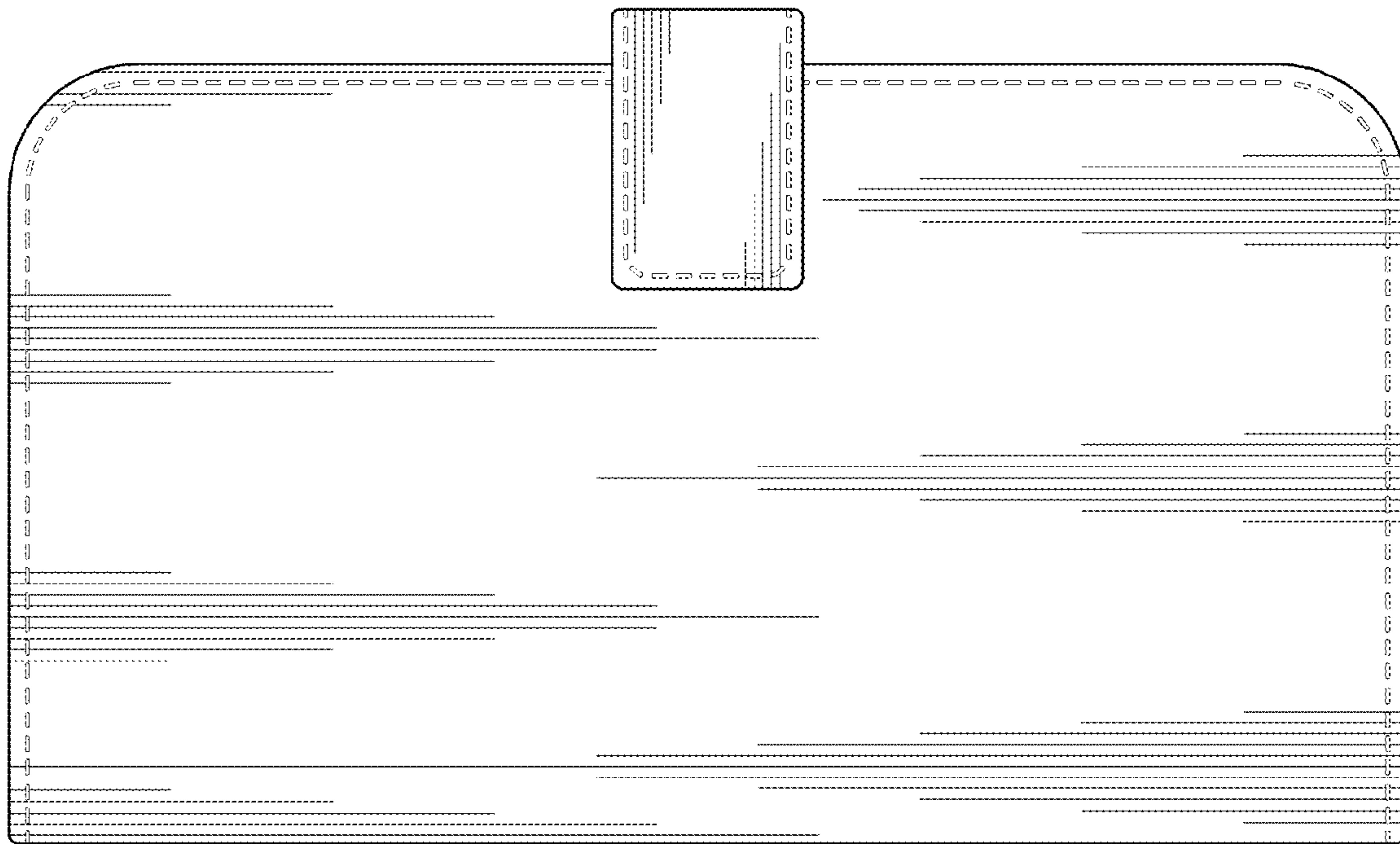


FIG. 6

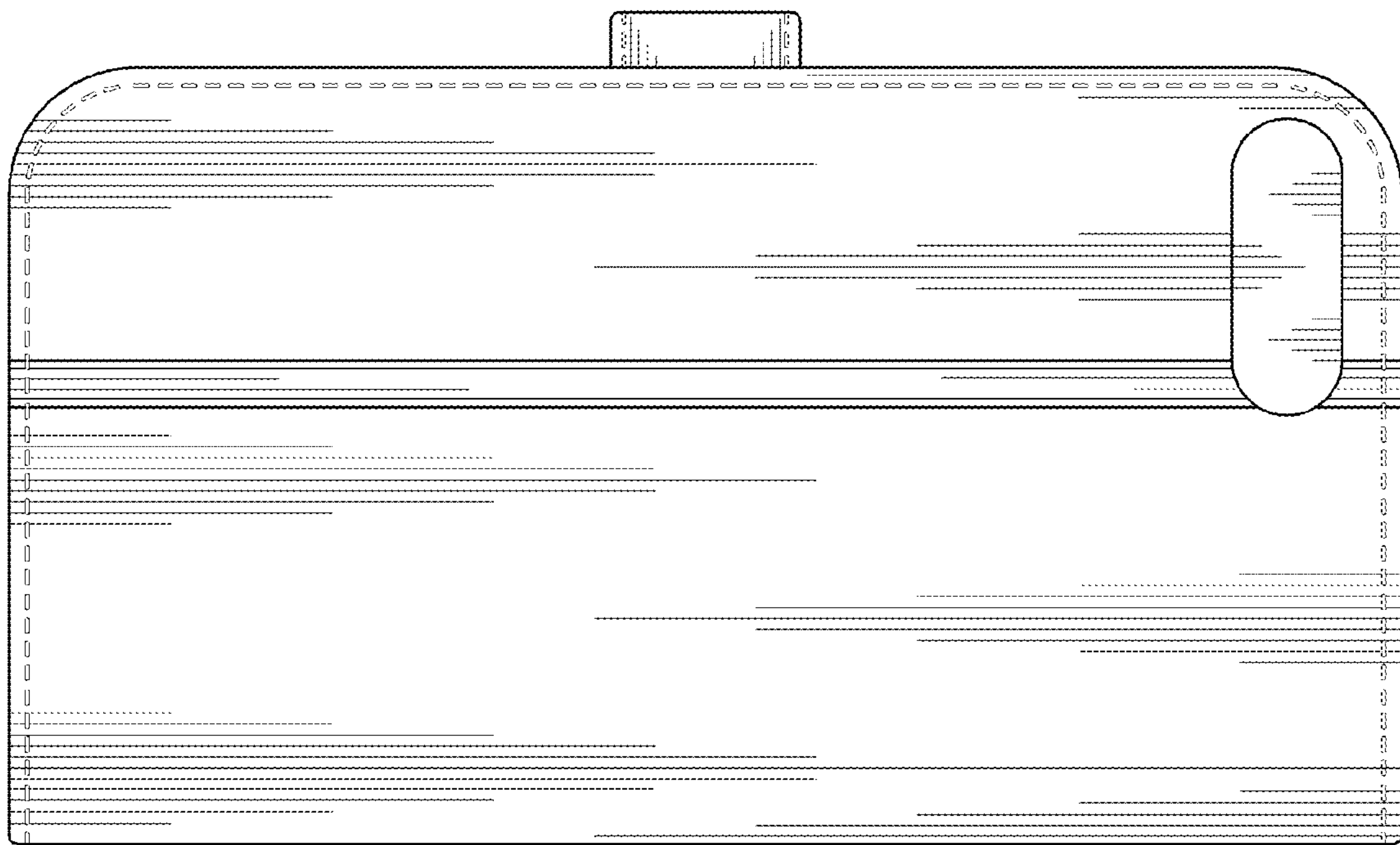


FIG. 7

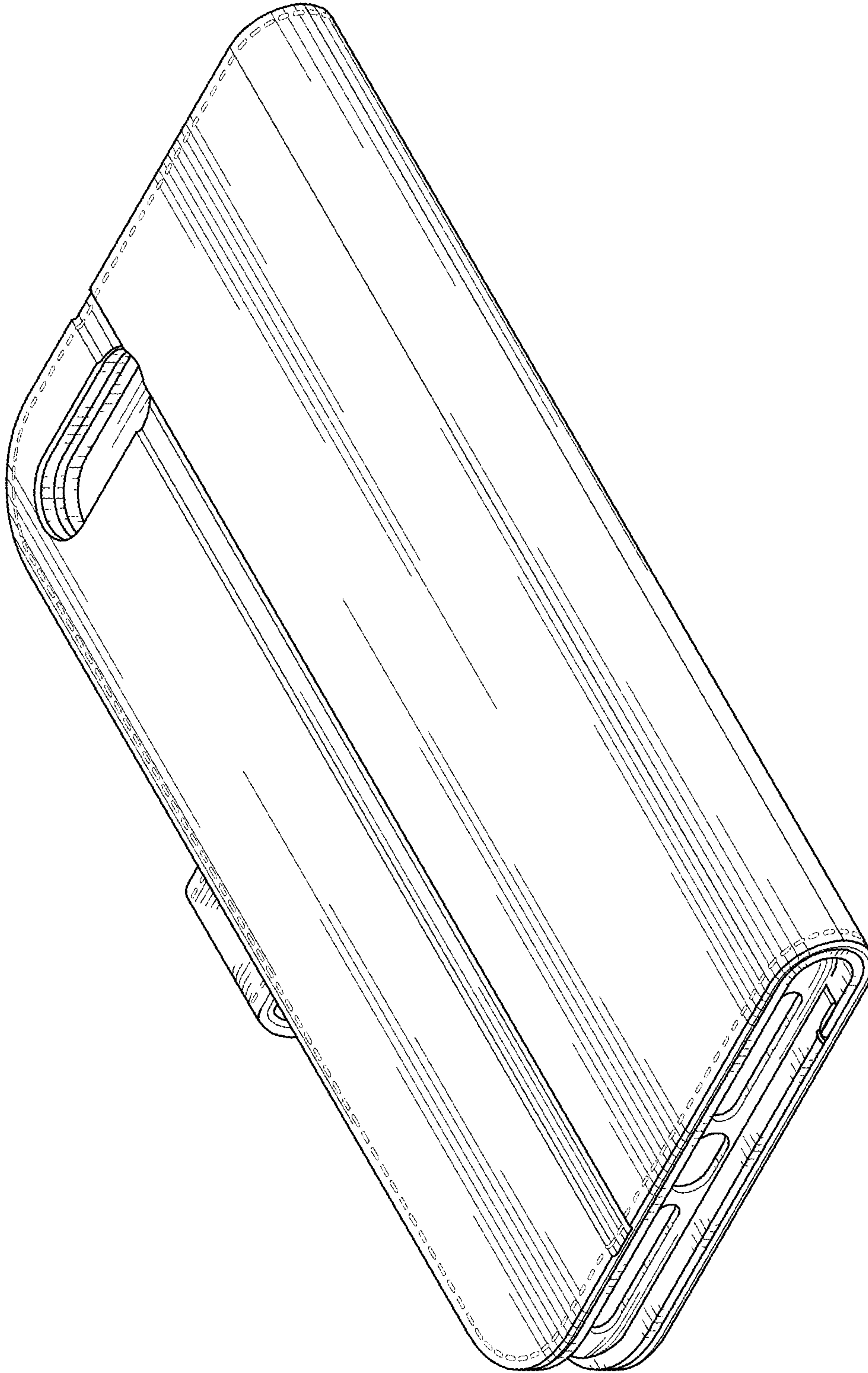


FIG. 8

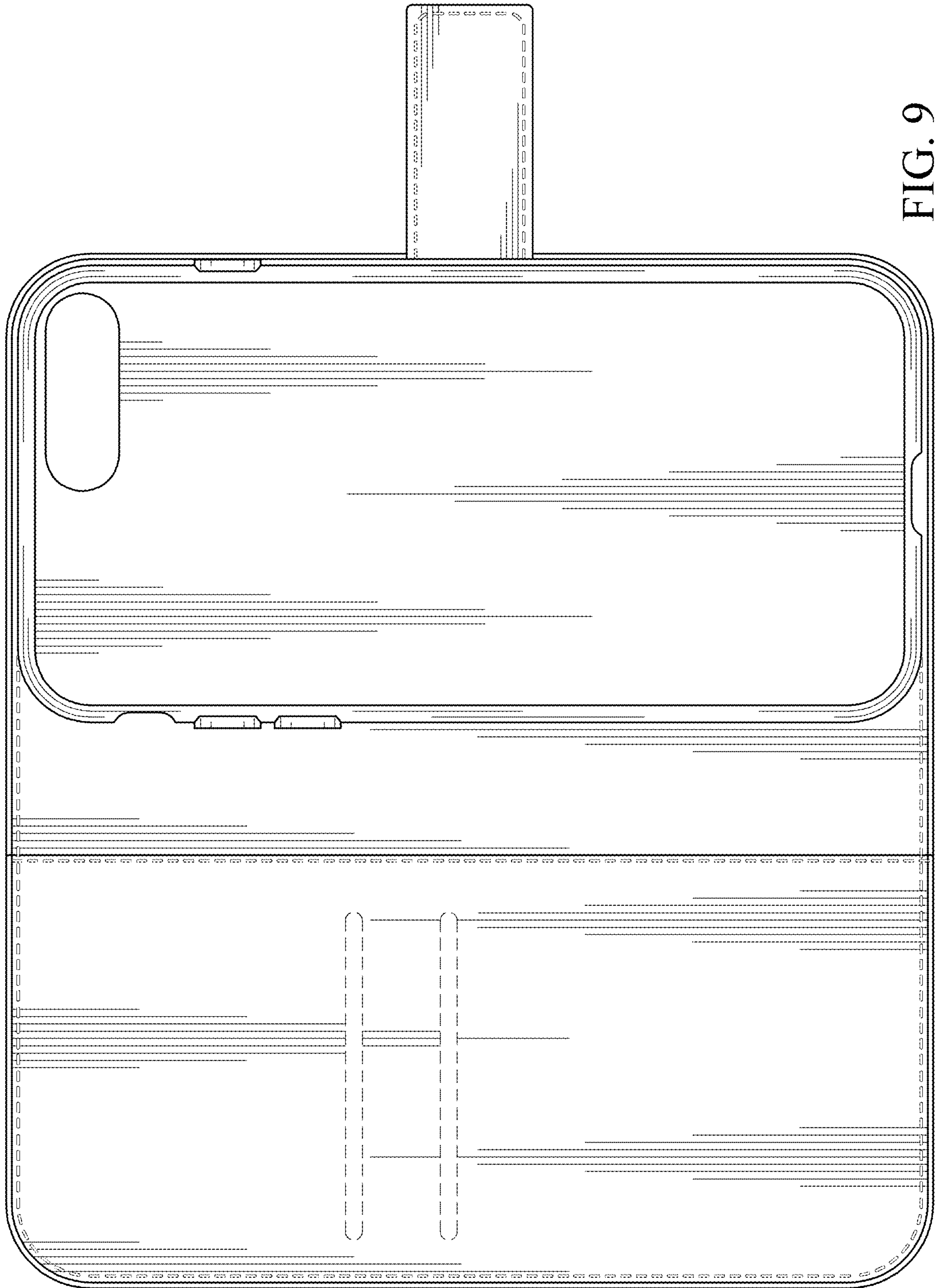


FIG. 9