



US00D872718S

(12) **United States Design Patent**
Bian et al.

(10) **Patent No.:** **US D872,718 S**
(45) **Date of Patent:** **** Jan. 14, 2020**

- (54) **ANTENNA MOUNTING FRAME**
- (71) Applicant: **Airgain, Incorporated**, San Diego, CA (US)
- (72) Inventors: **Xiangjie Bian**, Zhang Jia Gang (CN); **Geoff Schulteis**, San Diego, CA (US); **Inan Chuang**, Zhang Jia Gang (CN)
- (73) Assignee: **Airgain Incorporated**, San Diego, CA (US)

- D415,497 S * 10/1999 Seifert H01R 13/6658
D14/238
- 7,108,519 B2 * 9/2006 Tomikawa H01R 13/6658
439/76.2
- 8,264,415 B2 * 9/2012 Winkler G08C 17/02
343/702
- D734,190 S * 7/2015 Abdul-Hadi D10/103
- 2006/0030173 A1 * 2/2006 Kawakita H01R 13/6658
439/76.1
- 2008/0084355 A1 * 4/2008 Kuraoka H01Q 1/242
343/702
- 2008/0100528 A1 * 5/2008 Noro H01Q 1/3291
343/872

(**) Term: **15 Years**

* cited by examiner

(21) Appl. No.: **29/598,619**

Primary Examiner — George D. Kirschbaum

(22) Filed: **Mar. 27, 2017**

Assistant Examiner — Joseph J Kukella

Related U.S. Application Data

(74) *Attorney, Agent, or Firm* — Clause Eight IPS;
Michael Catania

(62) Division of application No. 29/535,640, filed on Aug. 7, 2015, now Pat. No. Des. 782,449.

(51) **LOC (12) Cl.** **14-03**

(52) **U.S. Cl.** **D14/238**

USPC **D14/238**

(58) **Field of Classification Search**

USPC D14/217, 230, 238, 299; D10/46, 103

CPC H01Q 1/12; H01Q 1/125; H01Q 1/20;

H01Q 1/22; H01Q 1/42; H01Q 1/44;

H01Q 1/50

See application file for complete search history.

(56) **References Cited**

U.S. PATENT DOCUMENTS

D242,766 S * 12/1976 Neece D8/354

5,519,387 A * 5/1996 Besier G01R 11/04

324/142

(57) **CLAIM**

The ornamental design for an antenna mounting frame, as shown and described.

DESCRIPTION

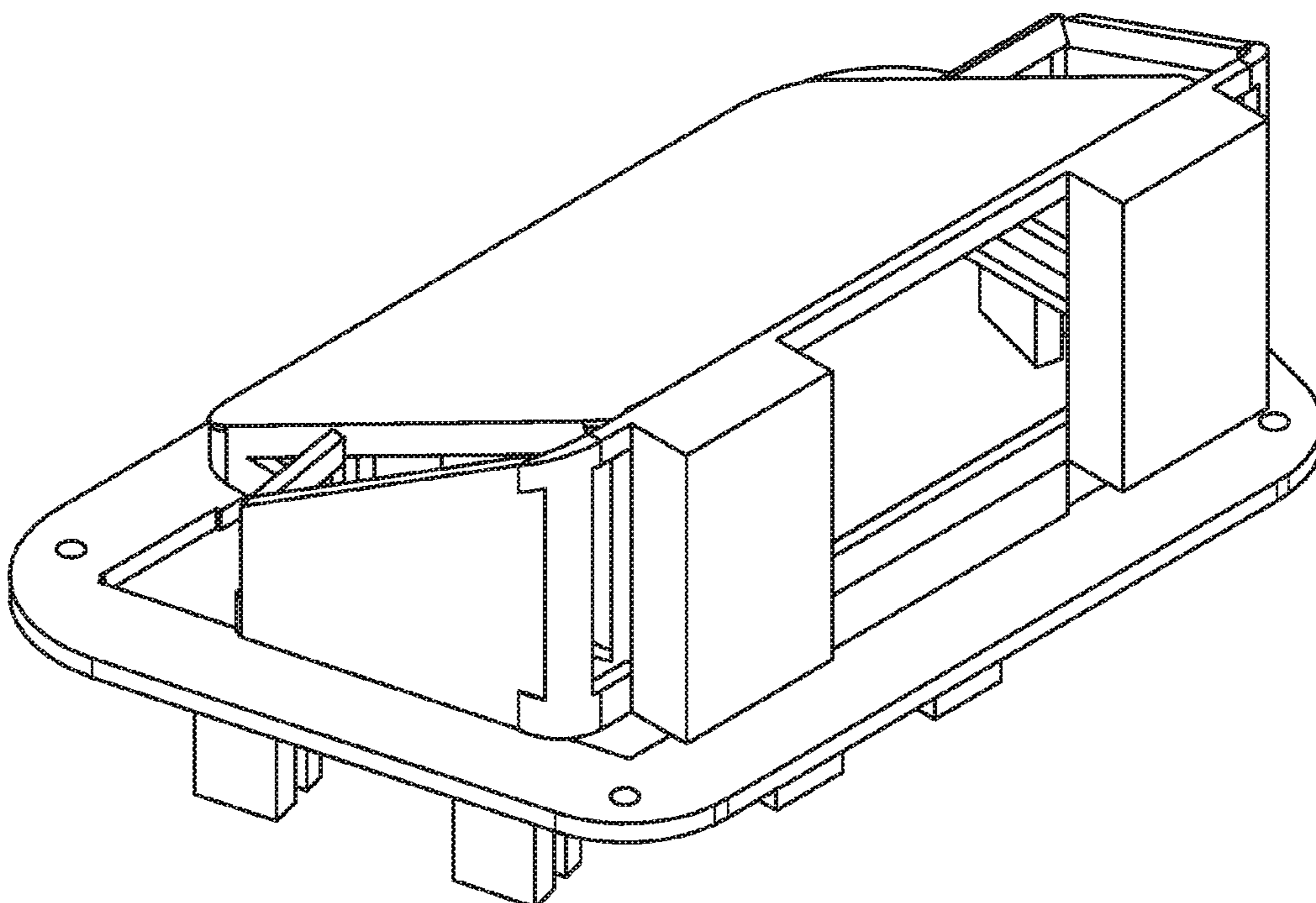
FIG. 1 is a top perspective view of an antenna mounting frame;

FIG. 2 is a top plan view thereof;

FIG. 3 is a front elevation view thereof; and,

FIG. 4 is a side elevation view thereof.

1 Claim, 4 Drawing Sheets



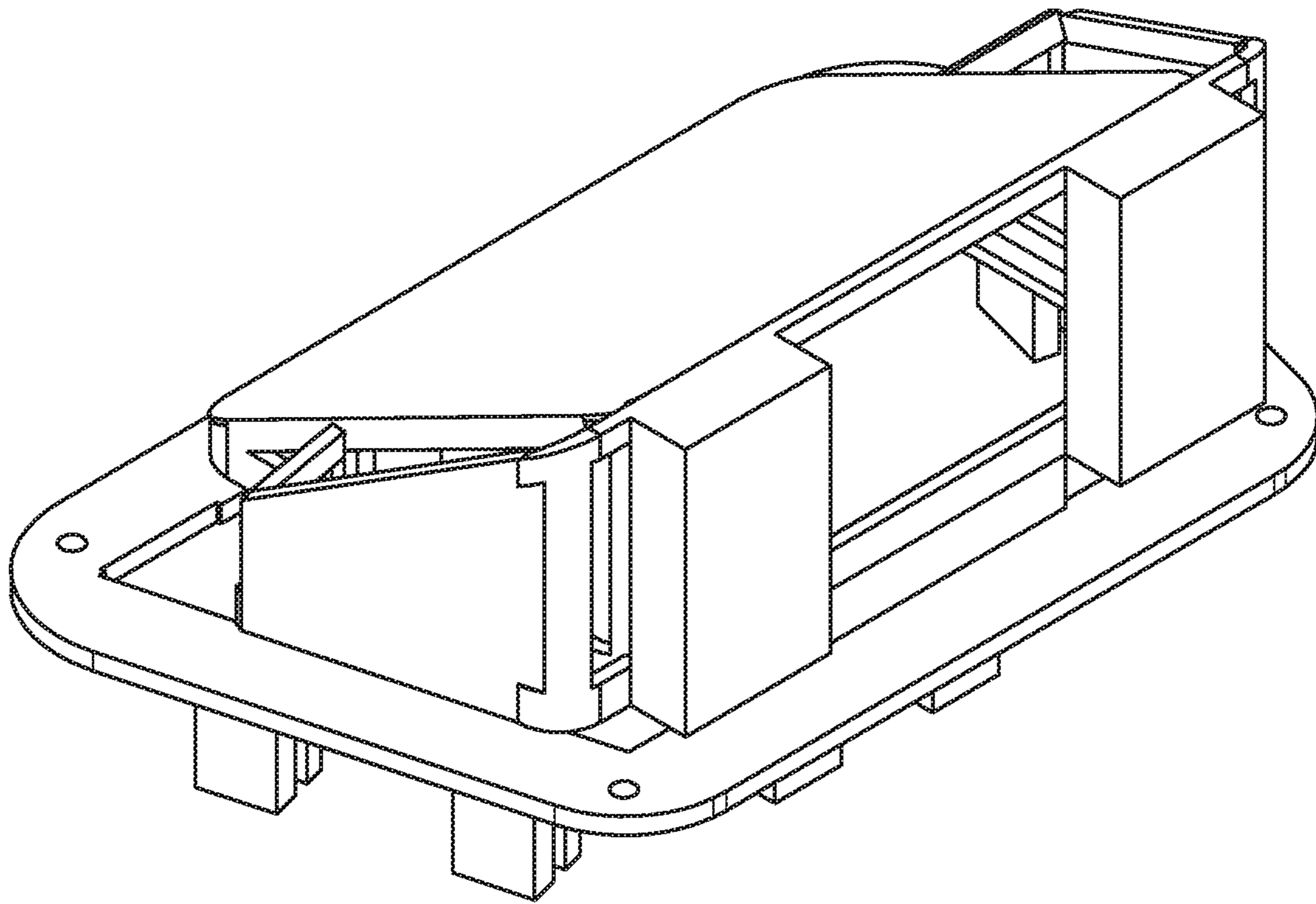


FIG. 1

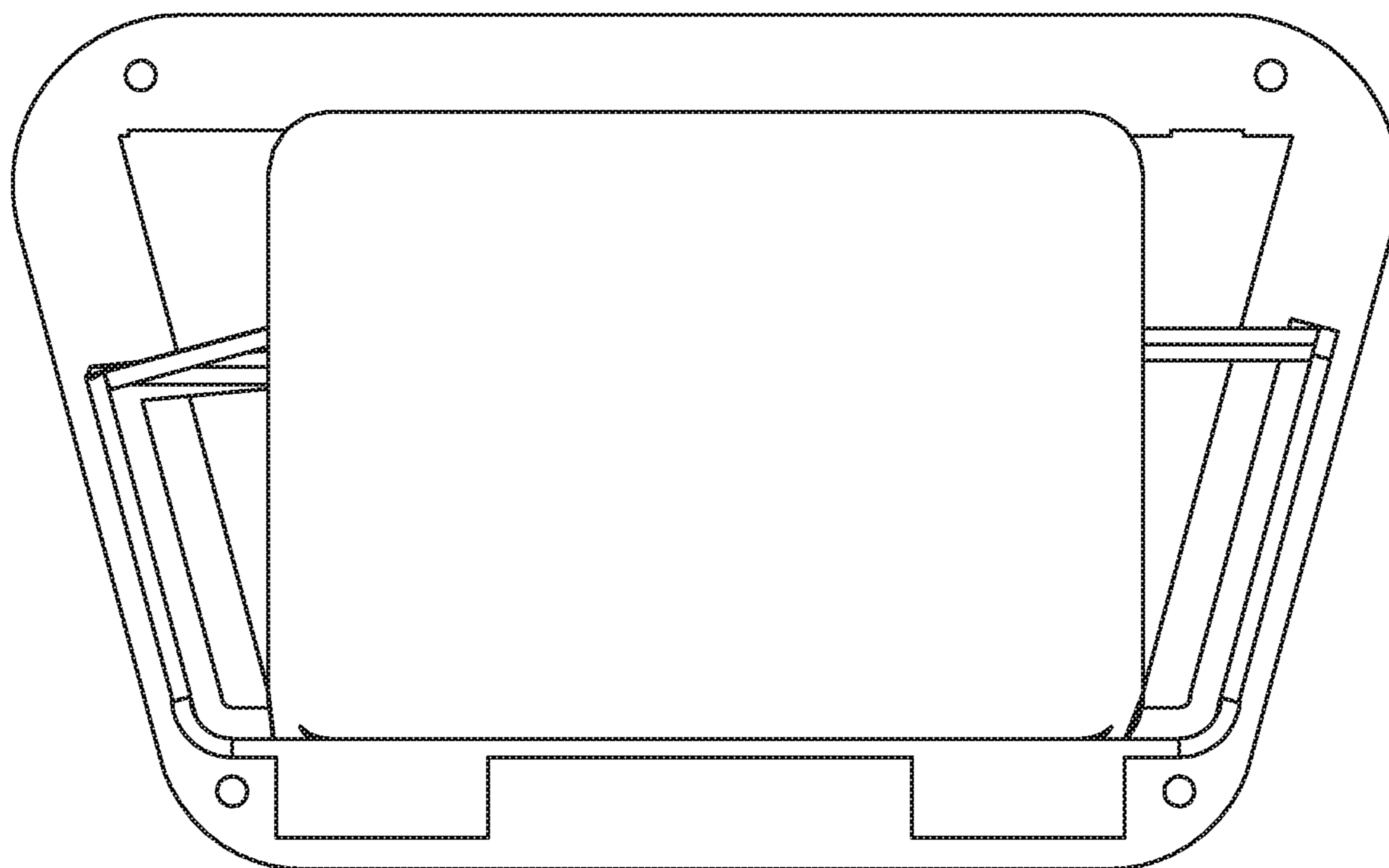


FIG. 2

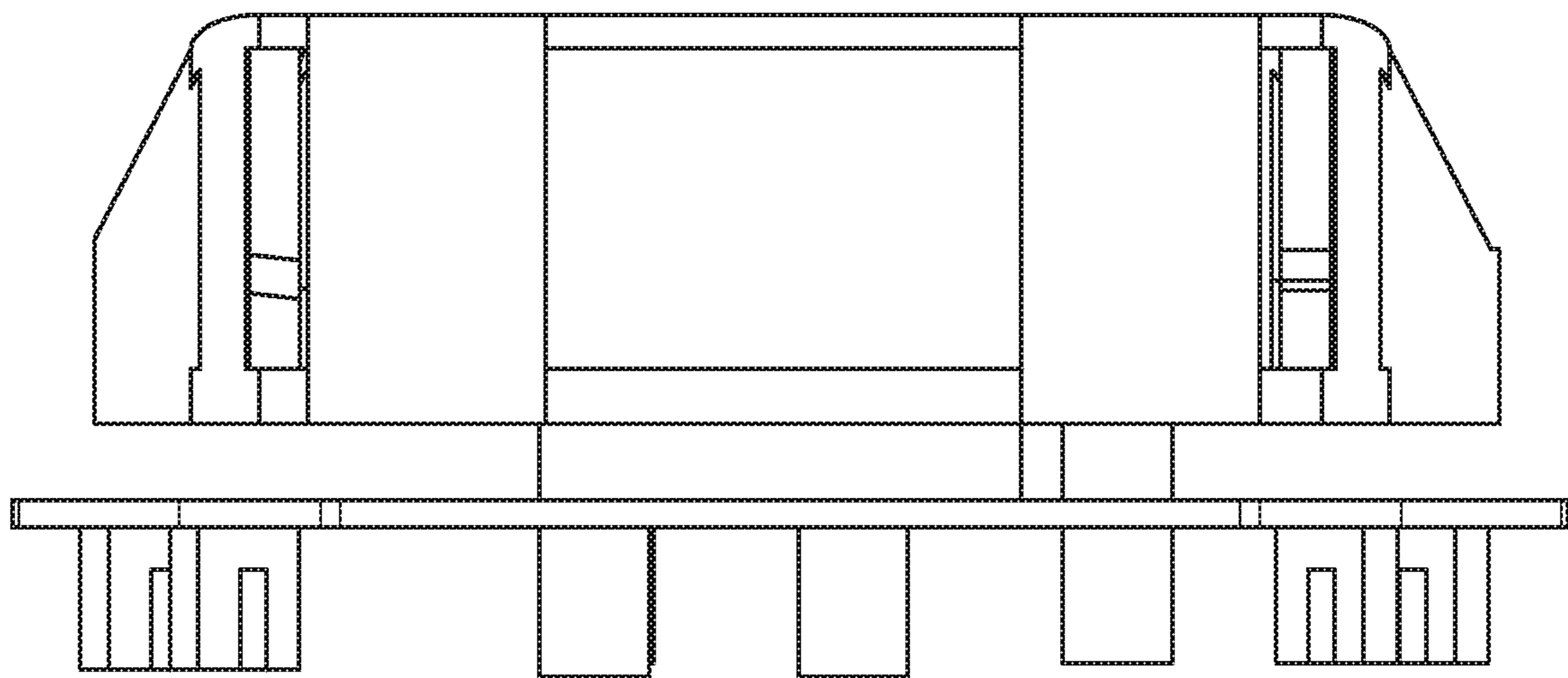


FIG. 3

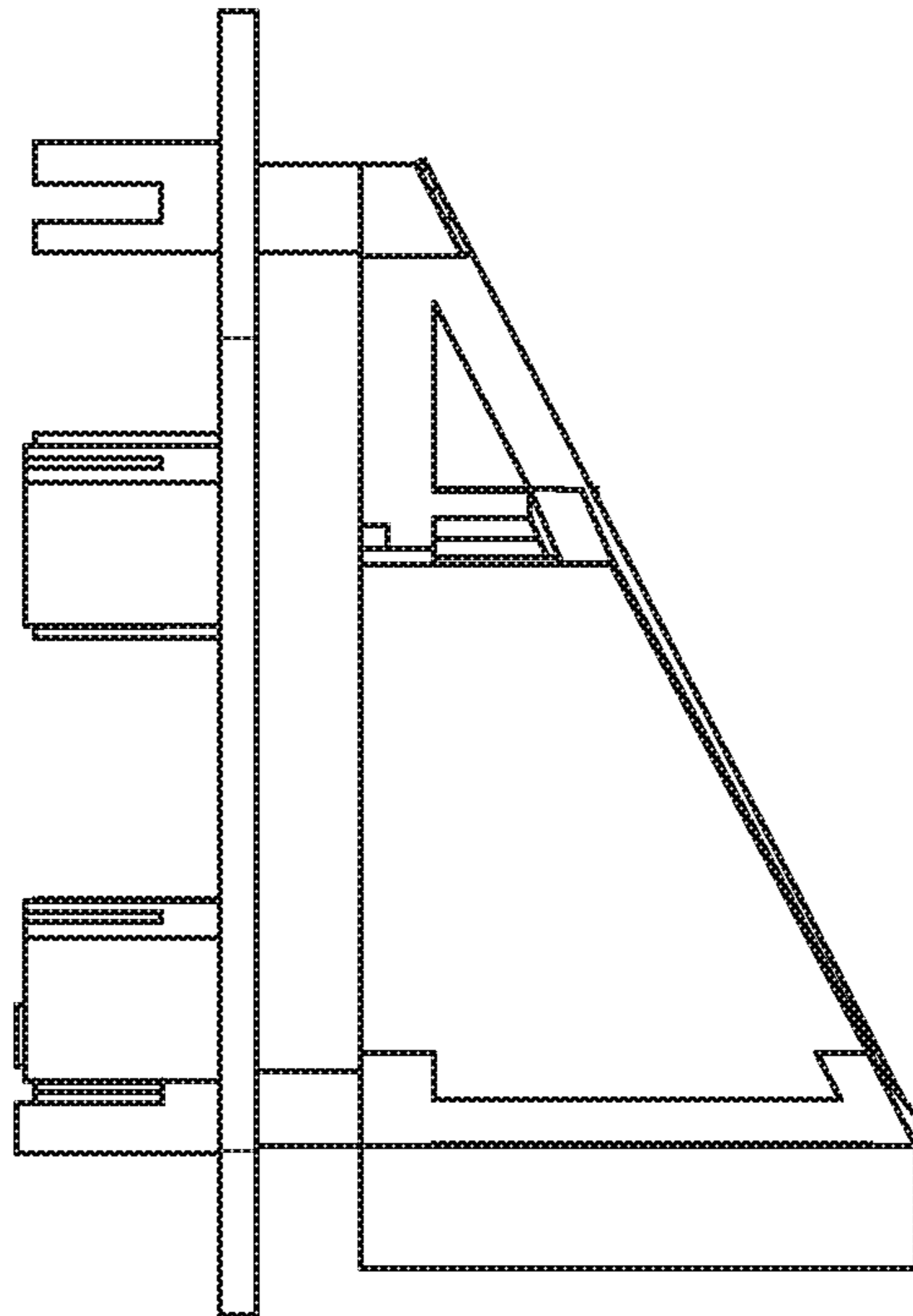


FIG. 4