



US00D872715S

(12) **United States Design Patent** (10) **Patent No.:** **US D872,715 S**  
**Zheng et al.** (45) **Date of Patent:** **\*\* Jan. 14, 2020**

- (54) **ANTENNA**
- (71) Applicant: **Airgain Incorporated**, San Diego, CA (US)
- (72) Inventors: **Bei Zheng**, Zhang Jia Gang (CN); **Geoff Schulteis**, San Diego, CA (US)
- (73) Assignee: **Airgain Incorporated**, San Diego, CA (US)
- (\*\*) Term: **15 Years**
- (21) Appl. No.: **29/688,306**
- (22) Filed: **Apr. 19, 2019**

(56) **References Cited**

U.S. PATENT DOCUMENTS

7,333,067	B2 *	2/2008	Hung	.....	H01Q 1/36 343/700 MS
7,489,278	B2 *	2/2009	Huang	.....	H01Q 9/0421 343/700 MS
D765,062	S *	8/2016	Zheng	.....	D14/230
D795,848	S *	8/2017	Zheng	.....	D14/230
D799,453	S *	10/2017	Chang	.....	D14/230
D807,864	S *	1/2018	He	.....	D14/230
D821,367	S *	6/2018	Zheng	.....	D14/230
D848,986	S *	5/2019	Zheng	.....	D14/230
D848,987	S *	5/2019	He	.....	D14/230
2005/0128151	A1 *	6/2005	Kwak, II	.....	H01Q 1/243 343/702

\* cited by examiner

*Primary Examiner* — Khawaja Anwar  
*Assistant Examiner* — Mojtaba Tehrani  
 (74) *Attorney, Agent, or Firm* — Clause Eight IPS;  
 Michael Catania

**Related U.S. Application Data**

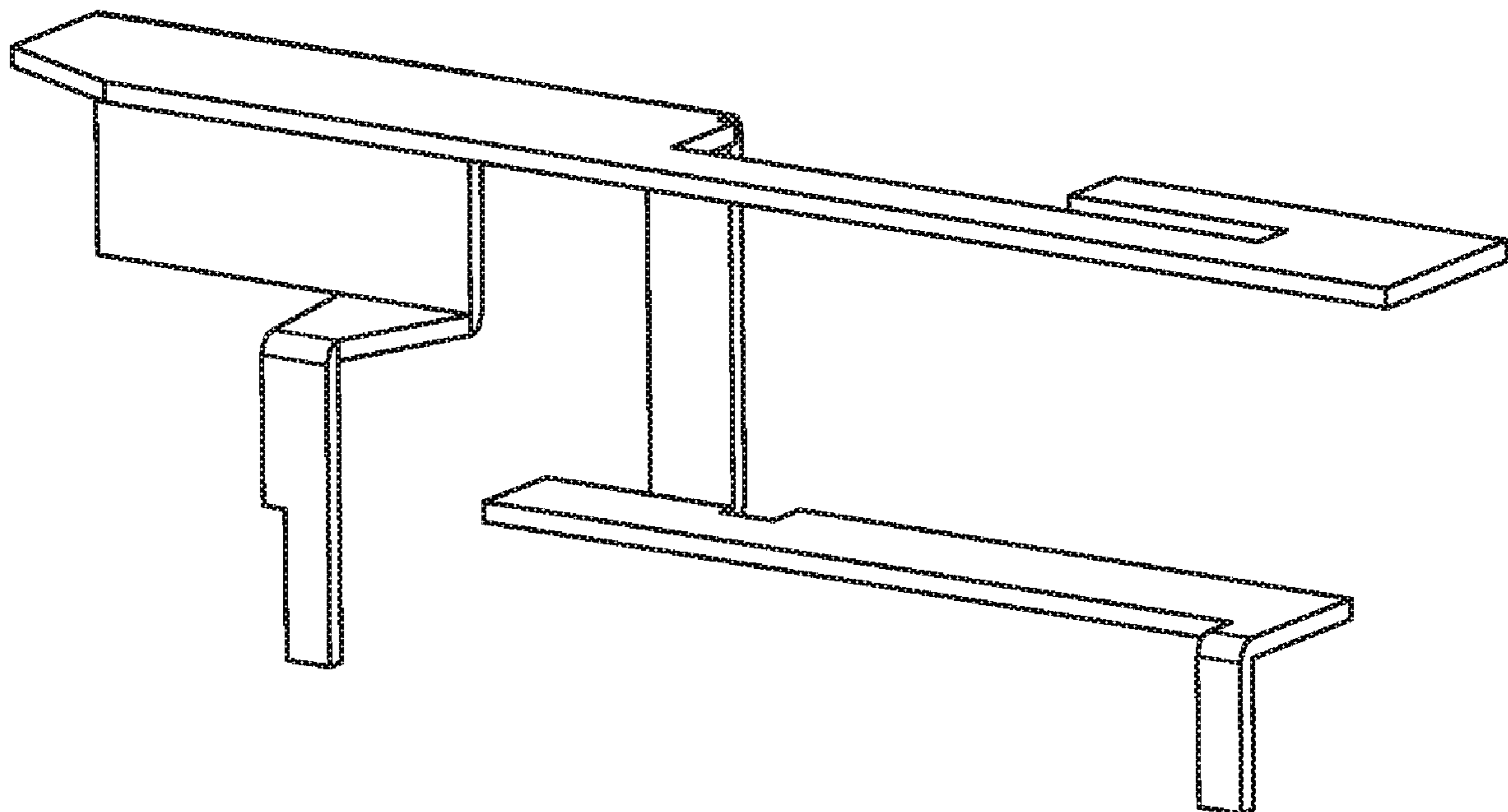
- (62) Division of application No. 29/653,770, filed on Jun. 18, 2018, now Pat. No. Des. 848,986, which is a division of application No. 29/615,184, filed on Aug. 26, 2017, now Pat. No. Des. 821,367, which is a division of application No. 29/558,024, filed on Mar. 15, 2016, now Pat. No. Des. 795,848.
- (51) **LOC (12) Cl.** ..... **14-03**
- (52) **U.S. Cl.**  
USPC ..... **D14/230**
- (58) **Field of Classification Search**  
USPC ..... D14/230, 232, 233, 234, 235, 236, 237, D14/238, 238.1, 299, 358; D13/182  
CPC ..... H01Q 1/088; H01Q 3/10; H01Q 21/00; H04B 7/0608; A61B 2018/1892  
See application file for complete search history.

(57) **CLAIM**  
 The ornamental design for an antenna, as shown and described.

**DESCRIPTION**

FIG. 1 is a top perspective view of an antenna, showing our new design;  
 FIG. 2 is a top plan view thereof;  
 FIG. 3 is a front elevation view thereof;  
 FIG. 4 is a bottom plan view thereof; and,  
 FIG. 5 is a side elevation view thereof.

**1 Claim, 3 Drawing Sheets**



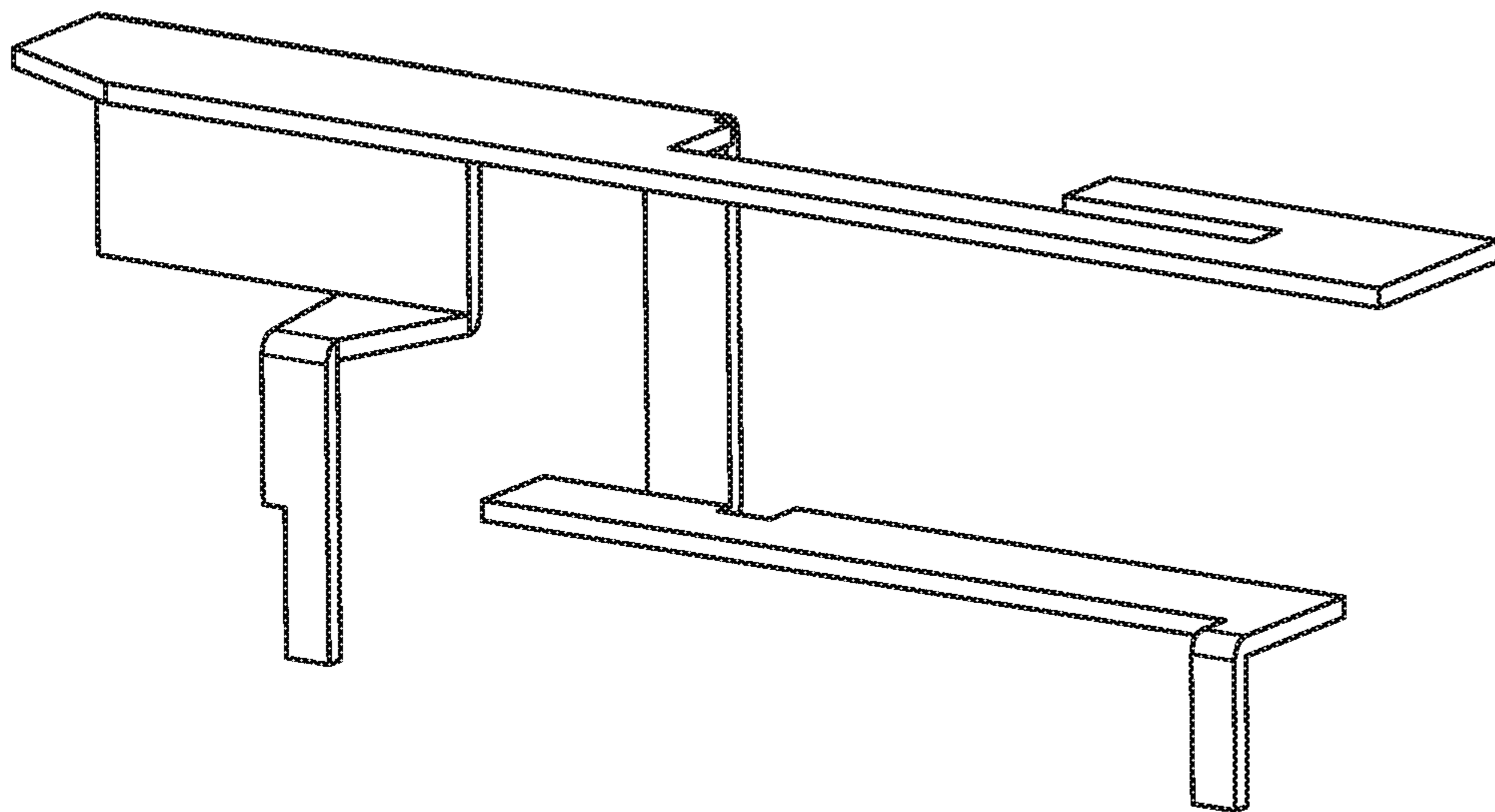


FIG. 1

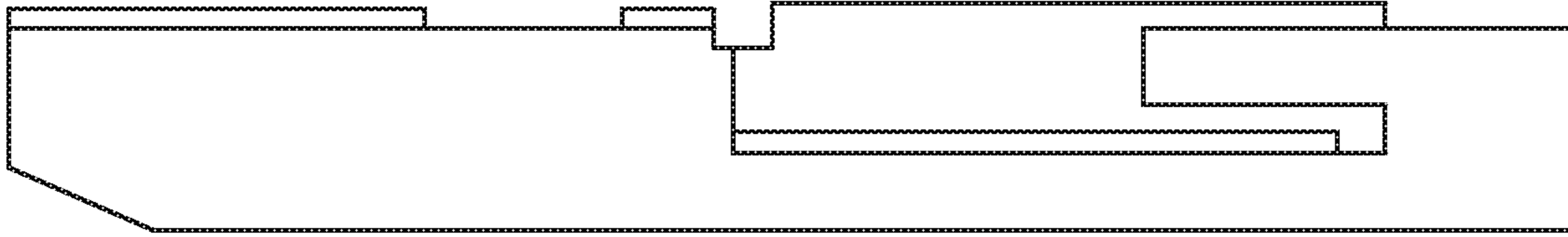


FIG. 2

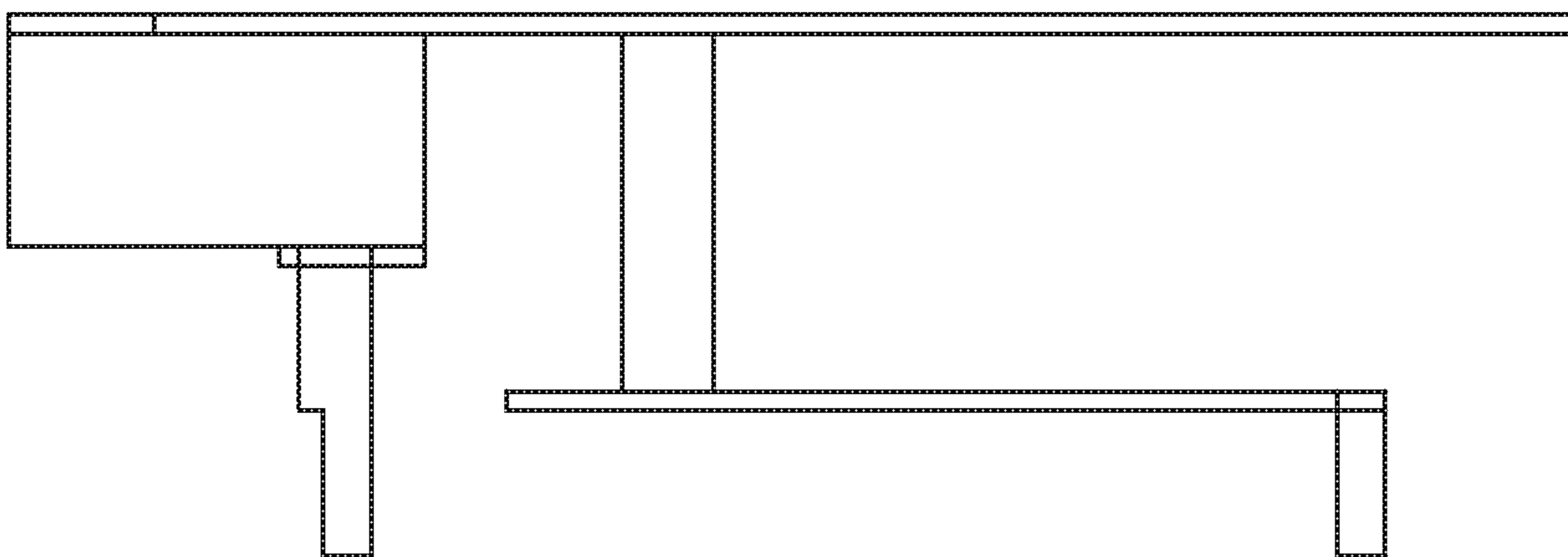


FIG. 3

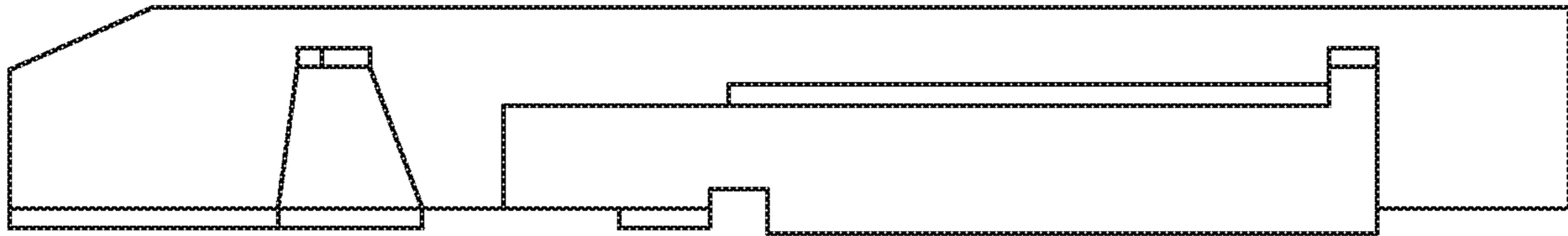


FIG. 4

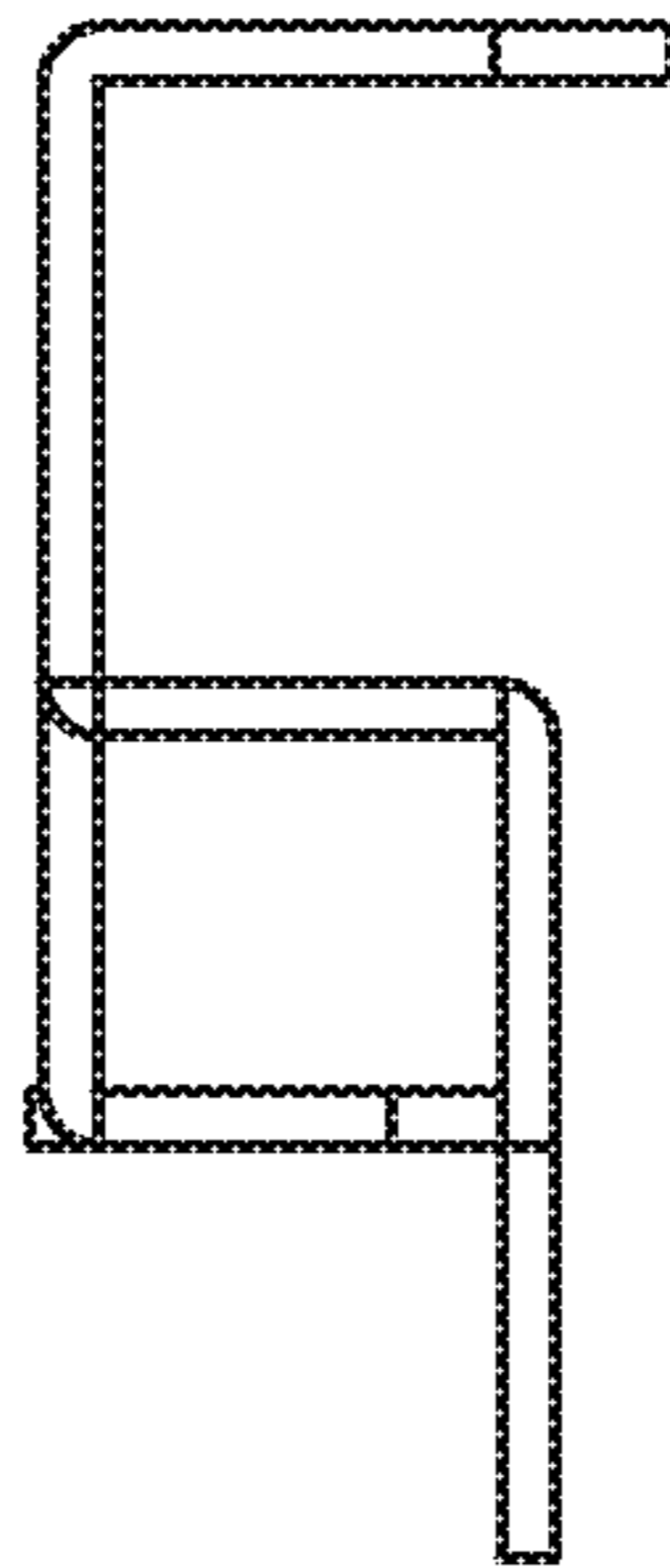


FIG. 5