



US00D872713S

(12) **United States Design Patent**
Courtney et al.

(10) **Patent No.:** **US D872,713 S**
(45) **Date of Patent:** **** Jan. 14, 2020**

(54) **ILLUMINATED ANTENNA COVER**

- (71) Applicant: **Lutron Technology Company LLC**,
Coopersburg, PA (US)
- (72) Inventors: **Brian Michael Courtney**, Bethlehem,
PA (US); **Brad Michael Kreschollek**,
Bethlehem, PA (US); **Jason C. Killo**,
Emmaus, PA (US); **Glenn Stone**
Laverty, IV, Coopersburg, PA (US);
Matthew Philip McDonald,
Phoenixville, PA (US); **Daniel L.**
Twaddell, Allentown, PA (US)
- (73) Assignee: **Lutron Technology Company LLC**,
Coopersburg, PA (US)

- (**) Term: **15 Years**
- (21) Appl. No.: **29/679,941**
- (22) Filed: **Feb. 12, 2019**

Related U.S. Application Data

- (63) Continuation of application No. 29/645,116, filed on
Apr. 24, 2018, now Pat. No. Des. 844,590, which is
(Continued)
- (51) **LOC (12) Cl.** **14-03**
- (52) **U.S. Cl.**
USPC **D14/230**
- (58) **Field of Classification Search**
USPC D14/138, 230–238.1, 299, 358;
D12/42–43, 345, 400; D13/182; D8/396;
(Continued)

(56) **References Cited**

U.S. PATENT DOCUMENTS

- D41,502 S 6/1911 Becker
 - D69,295 S 1/1926 Vandergaw et al.
- (Continued)

OTHER PUBLICATIONS

Youtube, Taylor Swift (1989) Bad Blood Music Concert Decorations Led Glow Stick, posted Jul. 23, 2015 [online]. Available from Internet: <<https://www.youtube.com/watch?v=0gXxbmzM1aY>>.
(Continued)

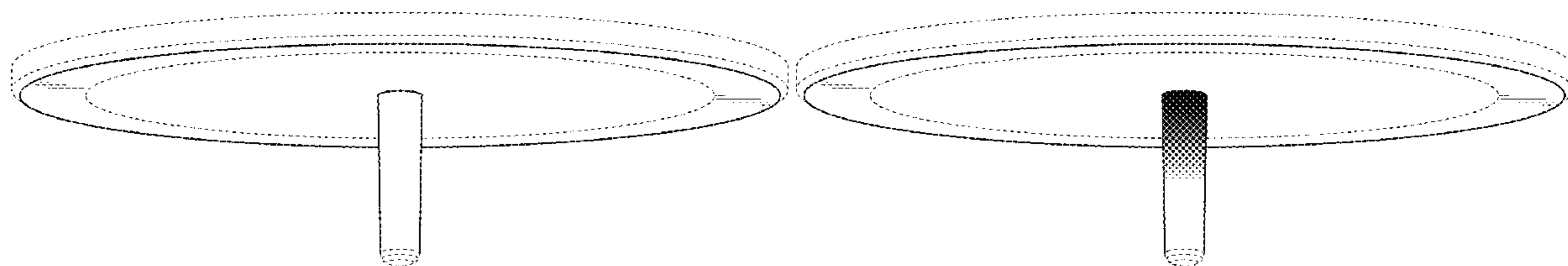
Primary Examiner — Barbara Fox
Assistant Examiner — Mary Shannon Malley
(74) *Attorney, Agent, or Firm* — Saidman DesignLaw Group, LLC

(57) **CLAIM**

The ornamental design for an illuminated antenna cover, as shown and described.

DESCRIPTION

FIG. 1 is a side perspective view showing a first state in a sequence of an illuminated antenna cover showing our new design;
FIG. 2 is a side view thereof;
FIG. 3 is a bottom view thereof;
FIG. 4 is a side perspective view showing a second state thereof;
FIG. 5 is a side view thereof;
FIG. 6 is a bottom view thereof;
FIG. 7 is a side perspective view showing a third state thereof;
FIG. 8 is a side view thereof;
FIG. 9 is a bottom view thereof;
FIG. 10 is a side perspective view showing a fourth state thereof;
FIG. 11 is a side view thereof; and,
FIG. 12 is a bottom view thereof.
The broken lines immediately adjacent to the surfaces with shade lines represent boundaries of the claimed design; all other broken lines show portions of the illuminated antenna cover that form no part of the claimed design.
The claimed design includes gray shaded elements which represent illumination. Within a gray shaded element, the gradations of dark gray to light gray represent illumination of varying brightness or intensity, darker gray shading
(Continued)



representing greater brightness and lighter gray shading representing lesser brightness.

The claimed design sequentially transitions from the first state to the last state in the sequence. The period with which one image transitions to another image forms no part of the claimed design.

1 Claim, 8 Drawing Sheets

Related U.S. Application Data

a continuation of application No. 29/544,117, filed on Oct. 30, 2015, now Pat. No. Des. 816,641.

(58) **Field of Classification Search**

USPC 248/68.1; 343/711–713, 700 R–705, 819, 343/871–908, 795, 840, 841, 846, 773, 343/807; D6/682, 610; D22/147; D25/67; 29/600; D26/2, 27, 51, 60, 67, D26/68, 72, 76, 79, 88, 101, 104, 93; D5/25, 57

CPC F16L 3/2235; F16L 3/227; F16L 3/221; Y10T 403/7141; H01L 33/48; H01L 33/486; H01L 23/02; H05K 5/00; H05K 11/00; H01Q 13/10; H01Q 7/00; H01Q 9/285; H01Q 19/30; H01Q 19/12; H01Q 1/38; H01Q 1/42; H01Q 1/28; H01Q 1/3275; H01Q 1/1235; H01Q 1/1228; H01Q 1/1207; H01Q 1/52; H01Q 1/281; H01Q 1/08; H01Q 1/1242; H01Q 1/125; H01Q 21/06; H01Q 1/246; H01Q 11/08; B64C 7/00; B64G 1/222; E04B 1/3441; E04B 1/1903; E04G 11/48; E04G 7/14; E04C 3/005; E04C 3/08; A63B 1/00; C04B 35/584; F41H 11/02; F42B 15/34; G01C 21/005; F21Y 21/01/00; F21L 4/02; F21V 23/0414; H01J 5/56; H01J 61/30

See application file for complete search history.

(56) **References Cited**

U.S. PATENT DOCUMENTS

D370,919 S 6/1996 Mada et al.
D403,549 S 1/1999 Dudash

5,923,302 A 7/1999 Waterman et al.
6,133,885 A 10/2000 Luniak et al.
6,275,198 B1 8/2001 Kenoun et al.
6,359,592 B1 3/2002 Chen et al.
D457,669 S 5/2002 Piepgras et al.
6,661,391 B2 12/2003 Ohara et al.
6,707,430 B2 3/2004 Sakaguchi et al.
D589,205 S 3/2009 Sabernig
D594,686 S 6/2009 Bodum
7,868,832 B2 1/2011 Krishtul
D735,368 S 7/2015 McGrath et al.
D780,128 S 2/2017 Bollinger, Jr. et al.
D816,641 S 5/2018 Courtney et al.
D842,254 S * 3/2019 Marrapode D13/153
D844,590 S * 4/2019 Courtney D14/230
10,355,367 B2 * 7/2019 Henry H01Q 19/062
2004/0183727 A1 9/2004 Choi
2005/0104782 A1 5/2005 Peled et al.
2006/0017650 A1 1/2006 Allen et al.
2006/0187137 A1 8/2006 Waltman
2008/0074332 A1 3/2008 Arronte et al.
2017/0354566 A1 12/2017 Zhu et al.
2017/0365754 A1 12/2017 Fukasawa et al.
2018/0337449 A1 * 11/2018 Runyon H01Q 3/005
2018/0356086 A1 * 12/2018 Maxik F21S 8/026
2019/0214739 A1 * 7/2019 Rodriguez-Cano H01Q 21/06

OTHER PUBLICATIONS

Youtube Taylor Swift Concert Multi Zone Remote Control Led Stick/DMX Led Stick, posted Jul. 3, 2015 [online]. Available from Internet: <<https://www.youtube.com/watch?v=pPNBjZidqL0>>.
Lutron Electronics Co., Inc., Stanza Hotel Guestroom Light Control Brochure, Feb. 20, 2008, 12 pages.
Dynalite Intelligent Light Pty Ltd., Light News, Aug. 2005, 8 pages, issue 2.
Inncom, GS-700 Family Glass Series Switches Sell Sheet, Nov. 2008, 2 pages.
Basalte BVBA, Sentido KNX v3.1 Manual, 2012, pp. 1-3.
Business Wire, “New Vive™ Wireless Lighting Control System . . . ” posted at businesswire.com, posted Apr. 26, 2016 [online]. Available from Internet: <<https://www.businesswire.com/news/home/20160426006338/en/New-Vive%E2%84%A2-Wireless-Lighting-Control-System-Lutron>>.

* cited by examiner

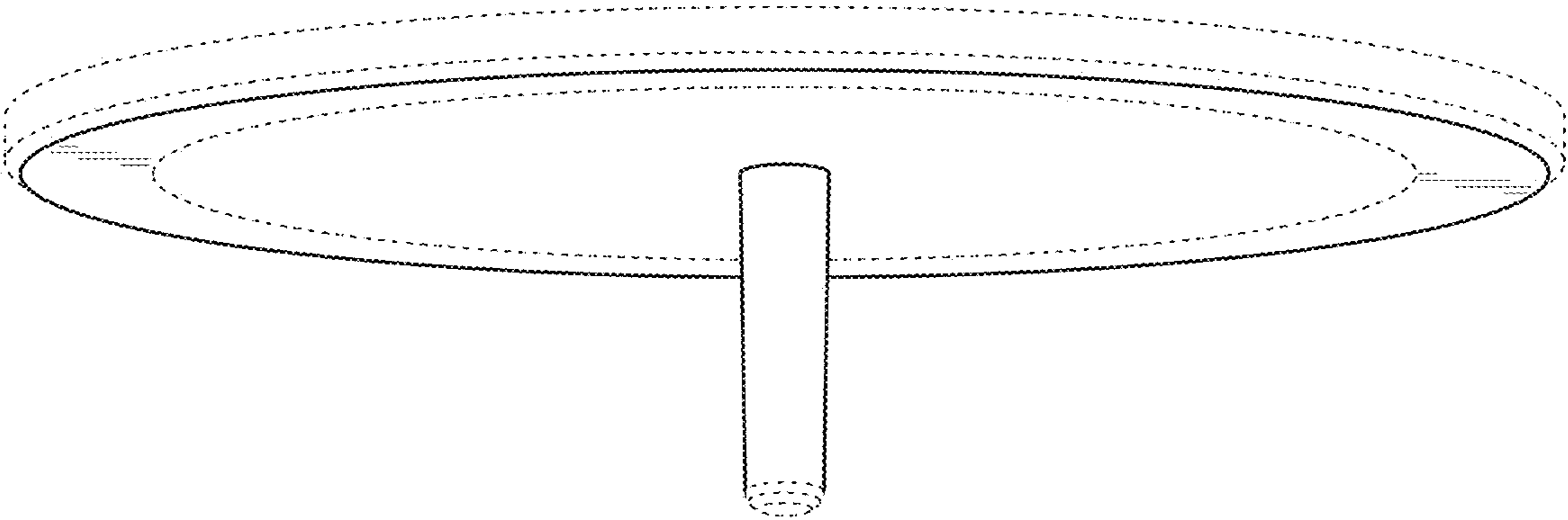


Fig. 1

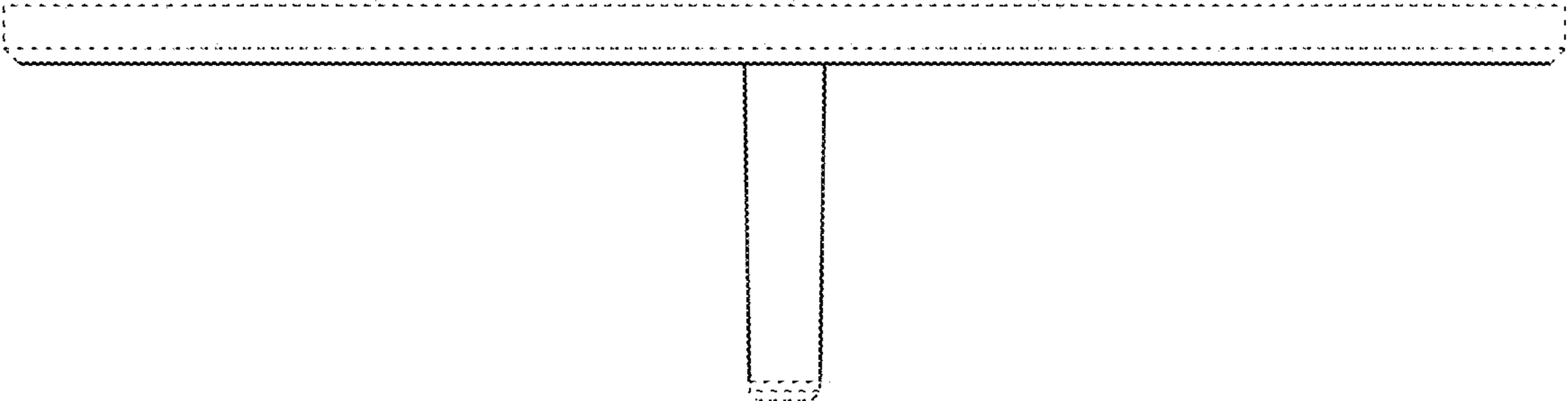


Fig. 2

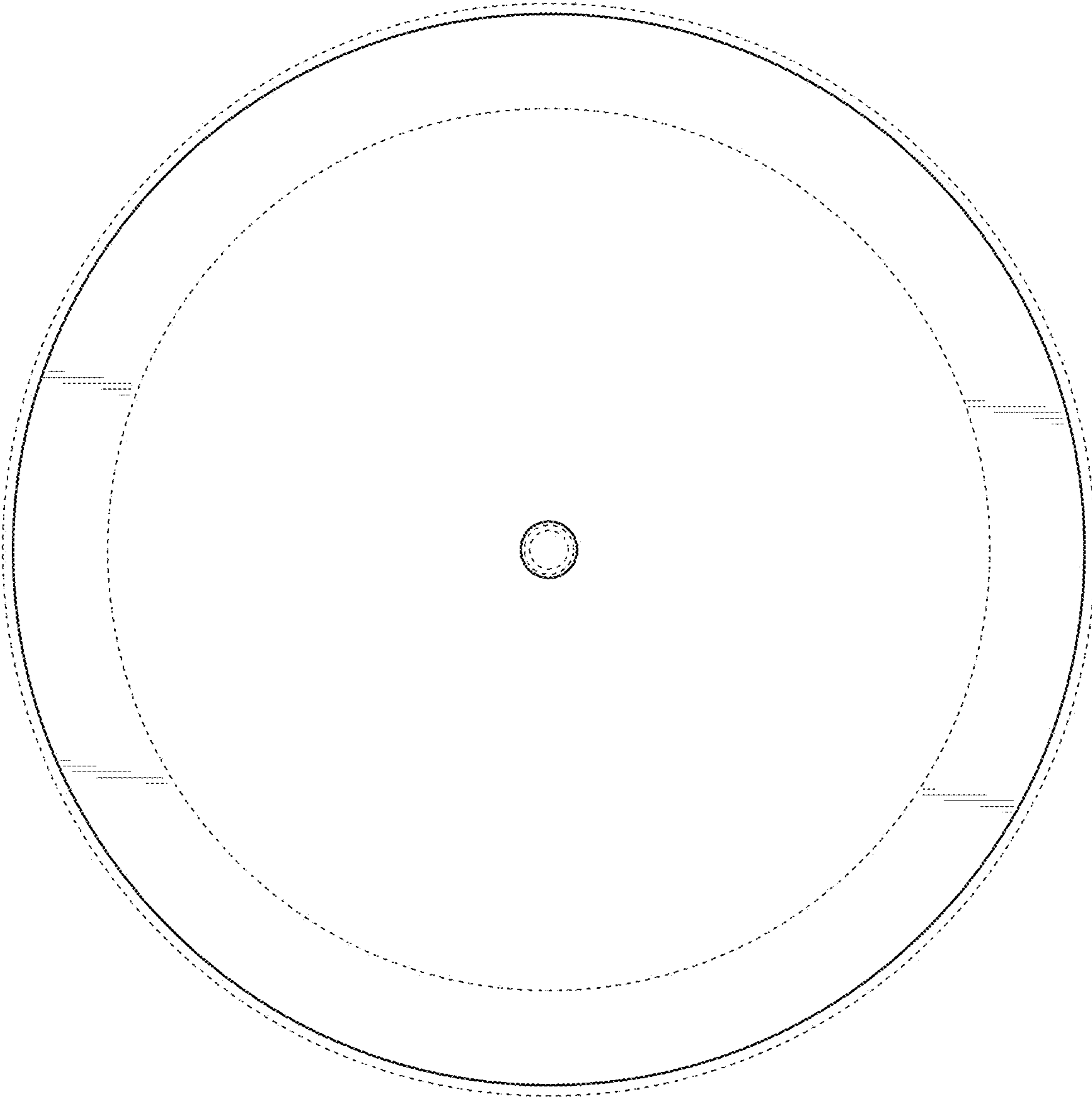


Fig. 3

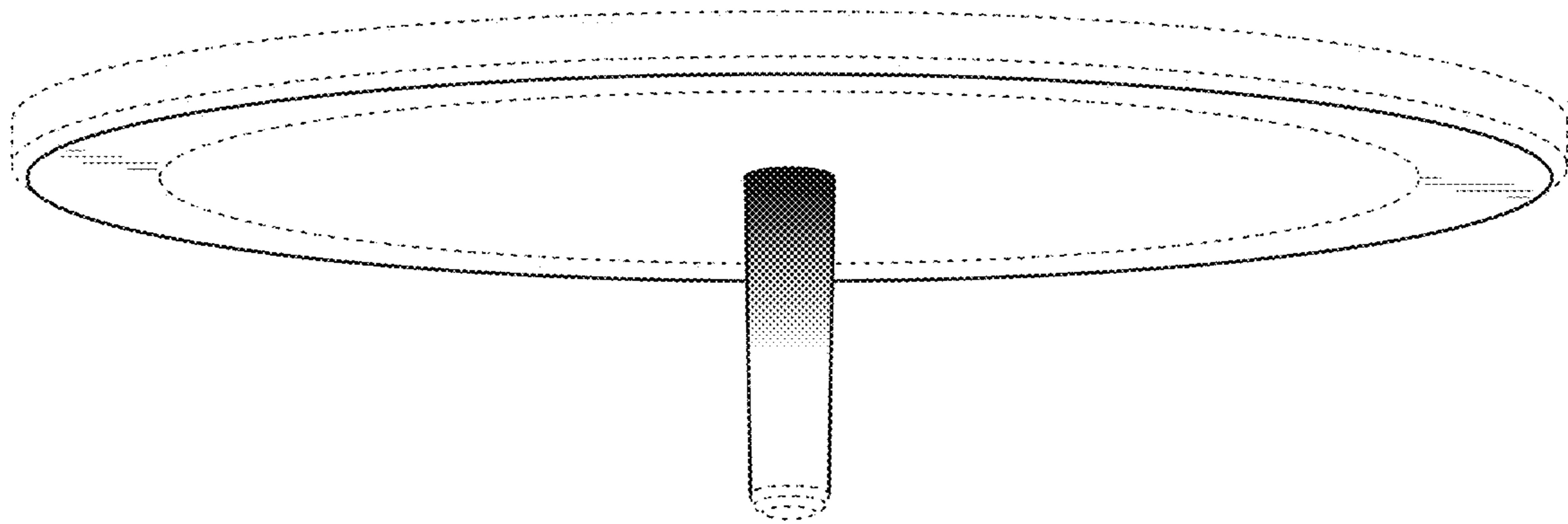


Fig. 4

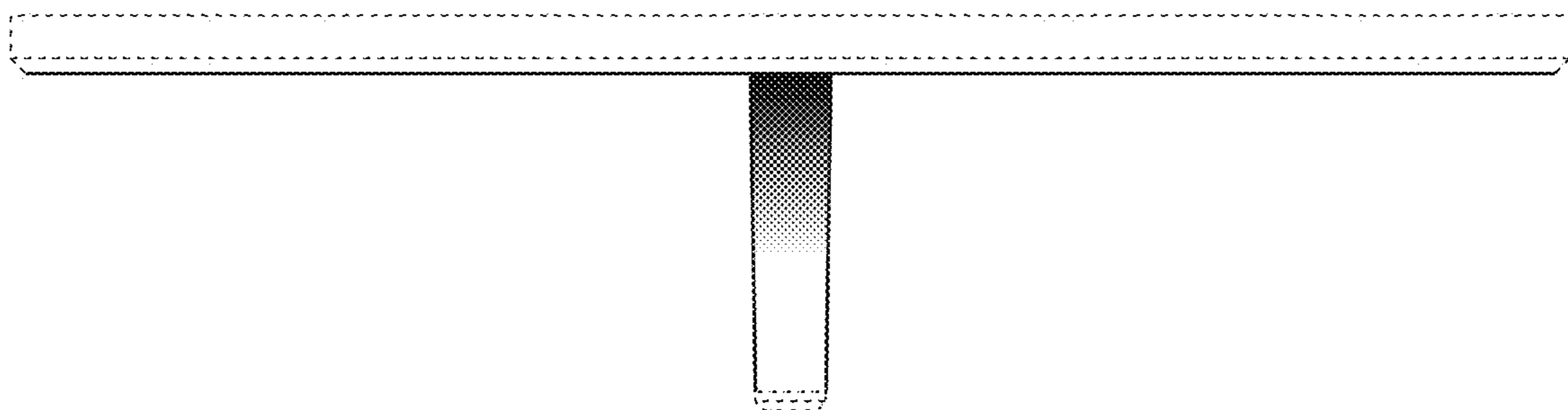


Fig. 5

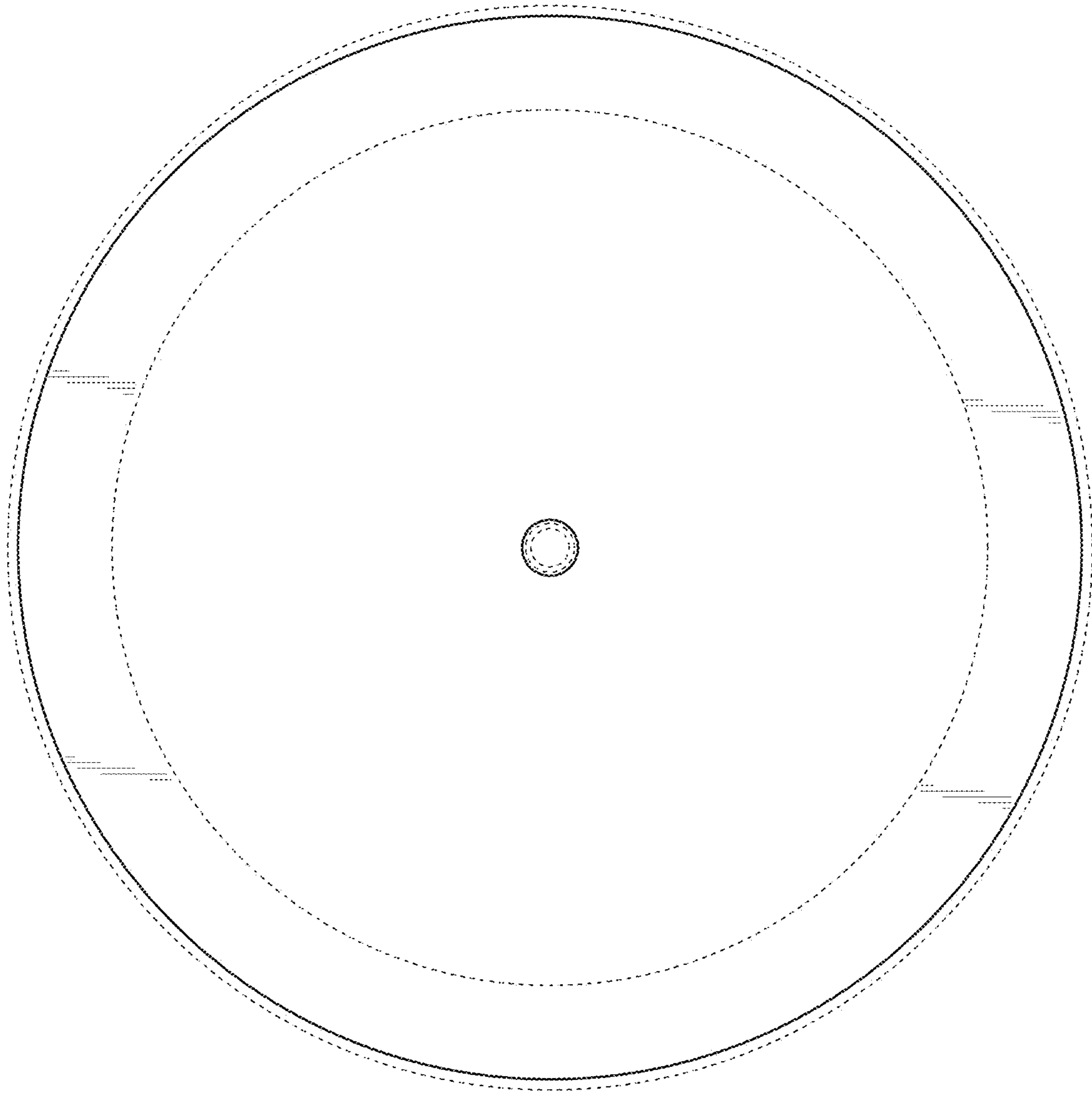


Fig. 6

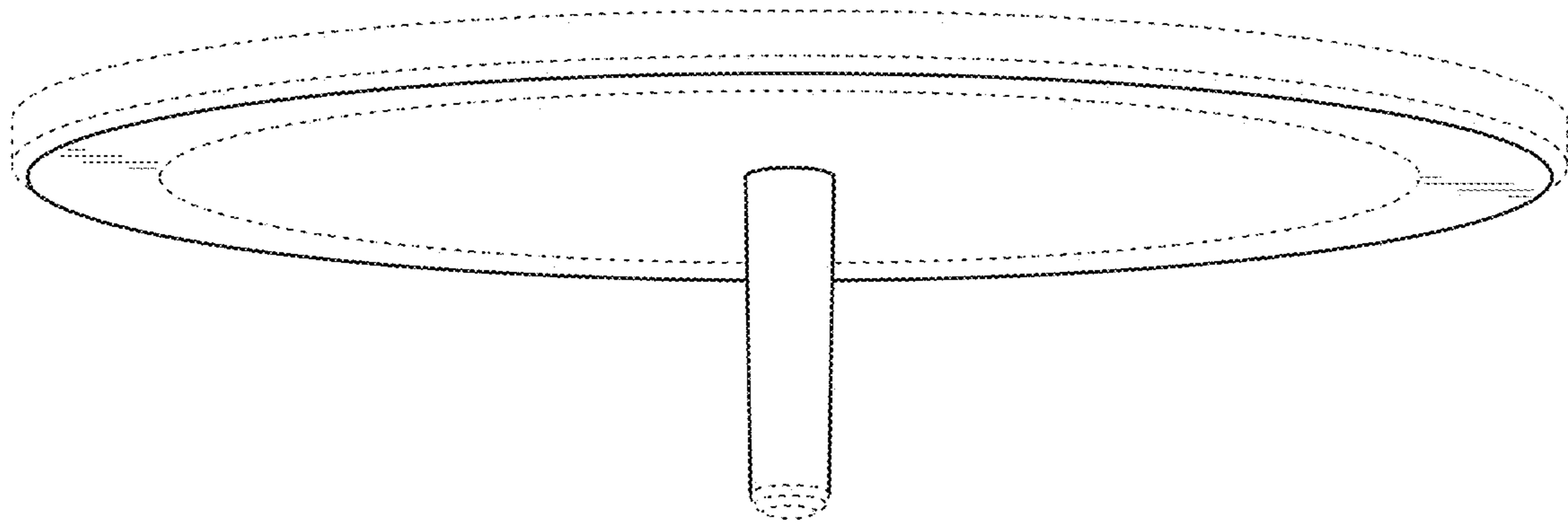


Fig. 7

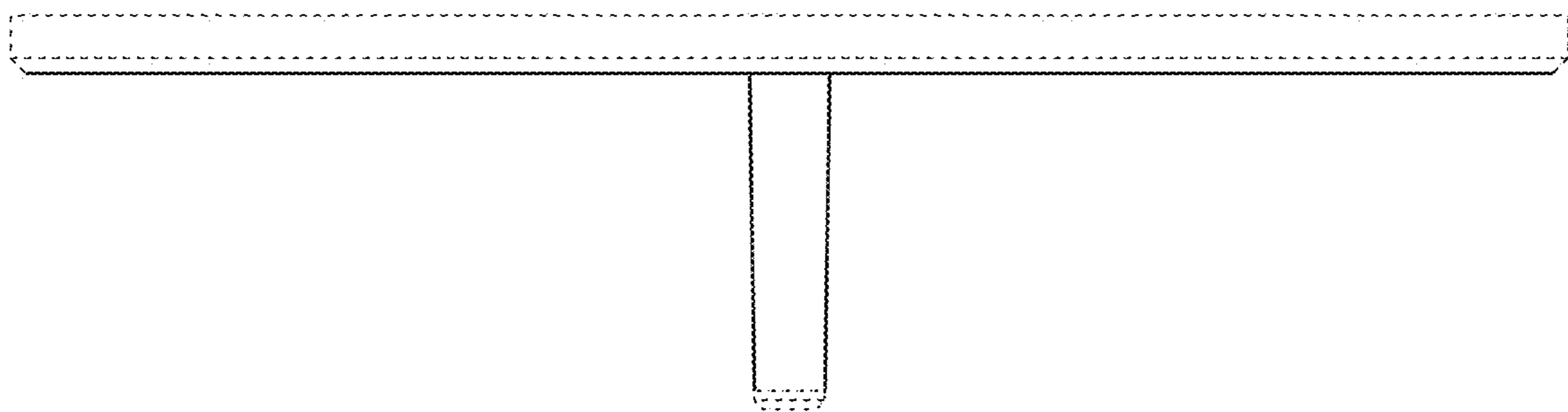


Fig. 8

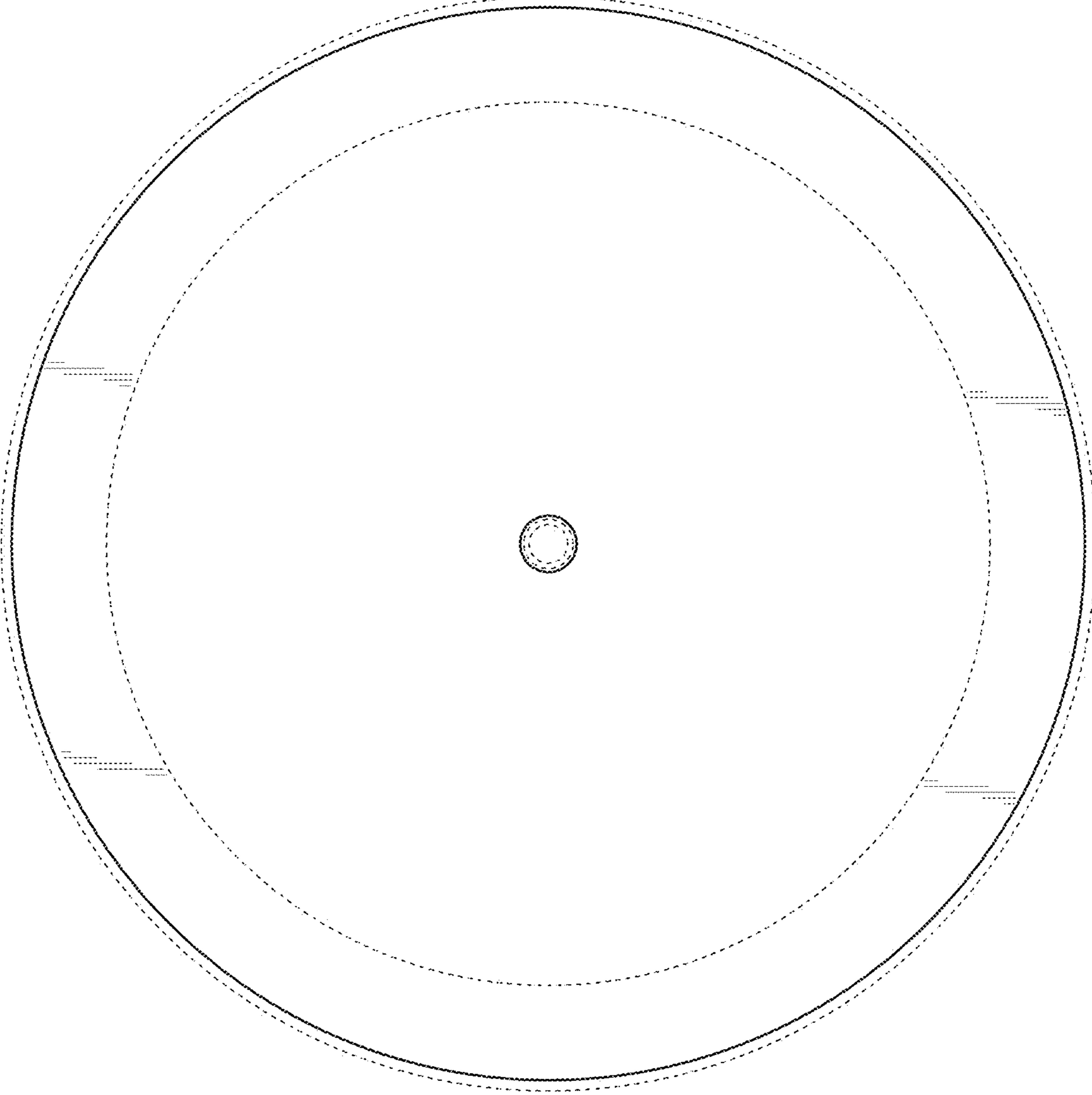


Fig. 9

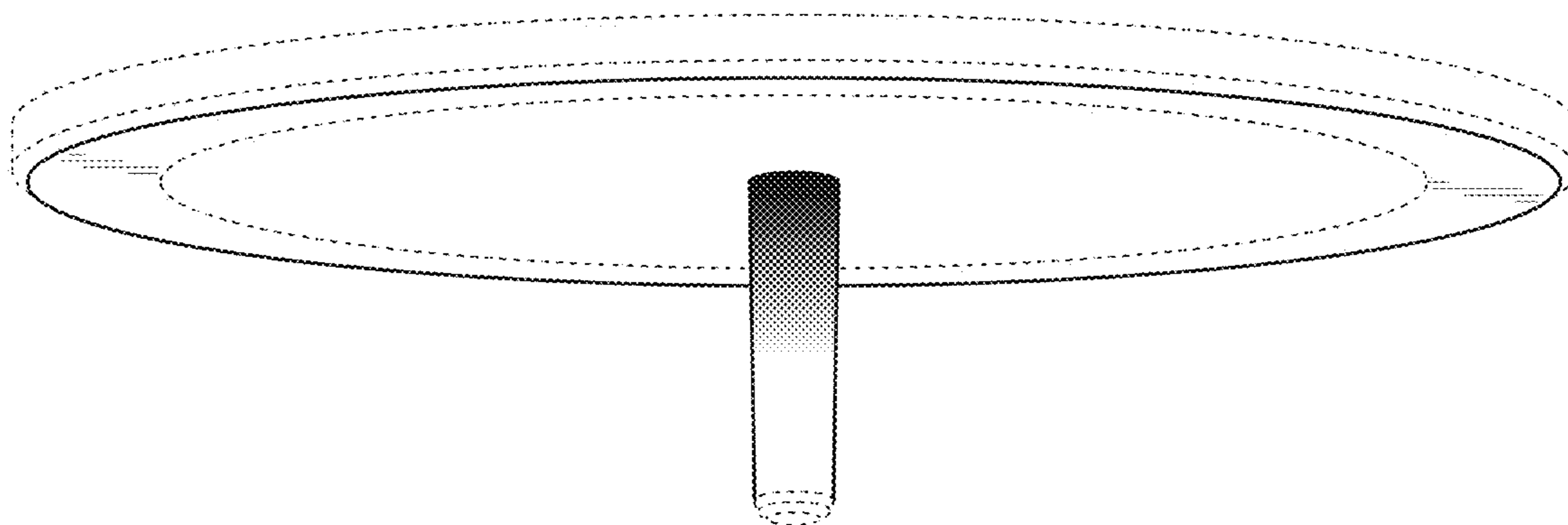


Fig. 10

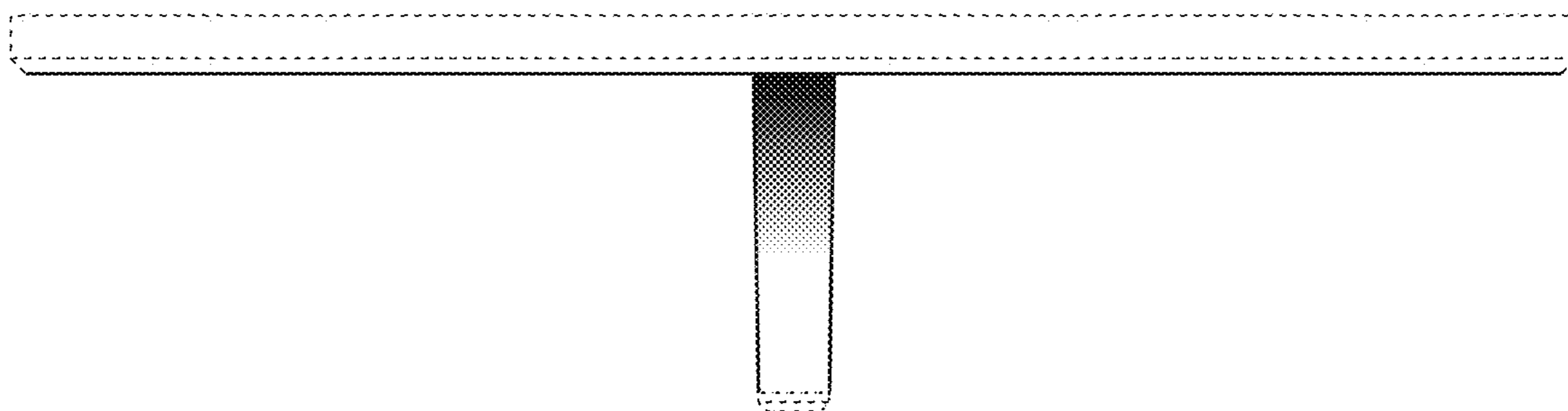


Fig. 11

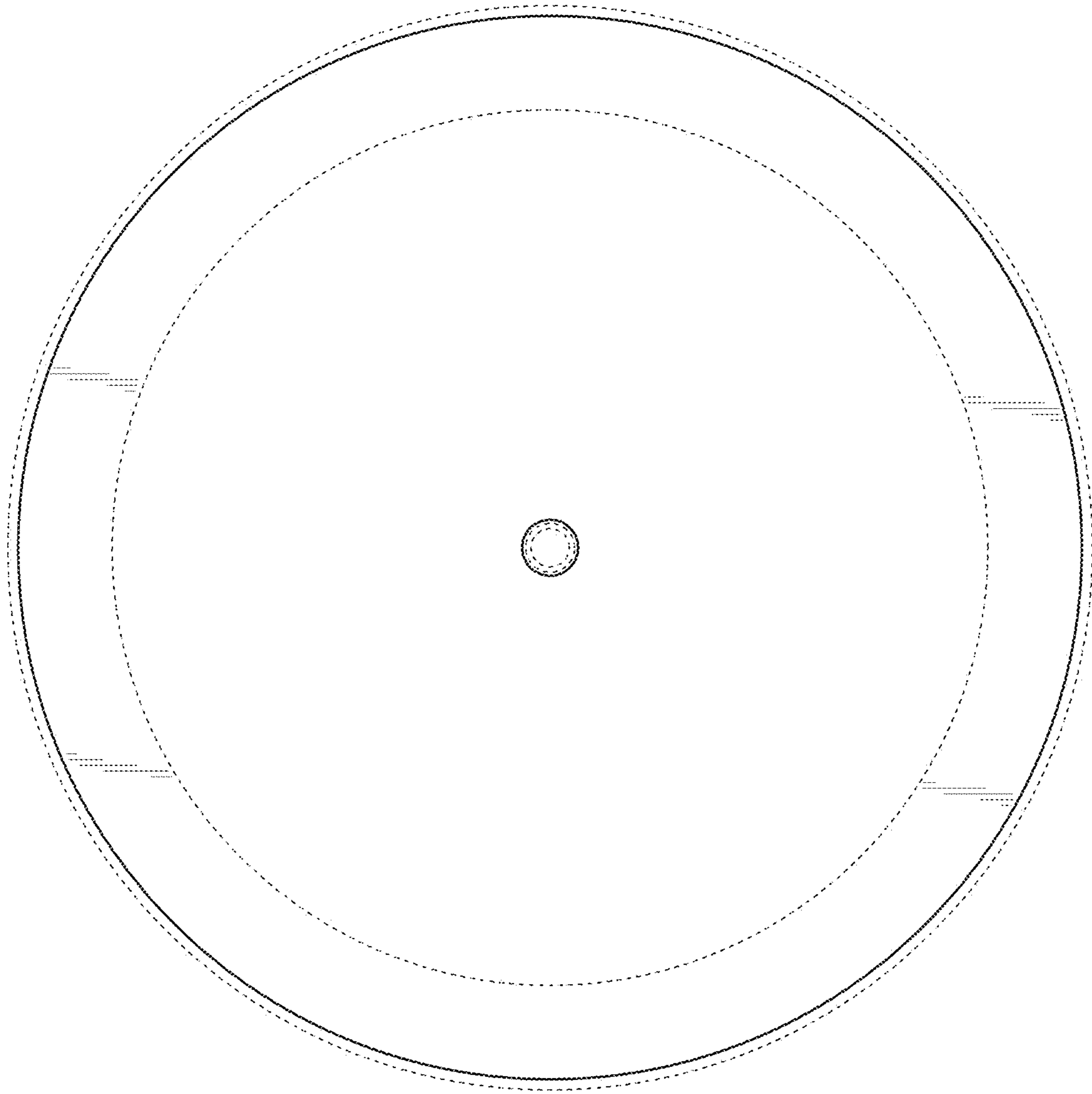


Fig. 12