



US00D872709S

(12) **United States Design Patent**  
**Pang et al.**

(10) **Patent No.:** **US D872,709 S**  
(45) **Date of Patent:** **\*\* Jan. 14, 2020**

- (54) **AUDIO BLUETOOTH CONVERTER**
- (71) Applicant: **Shenzhen Riitek Technology Co., Ltd.**,  
Shenzhen, Guangdong (CN)
- (72) Inventors: **Xianyong Pang**, Guangdong (CN);  
**Junkui Chen**, Guangdong (CN)
- (73) Assignee: **Shenzhen Riitek Technology Co., Ltd.**,  
Shenzhen (CN)
- (\*\*) Term: **15 Years**
- (21) Appl. No.: **29/653,283**
- (22) Filed: **Jun. 13, 2018**
- (51) **LOC (12) Cl.** ..... **14-03**
- (52) **U.S. Cl.**  
USPC ..... **D14/217**
- (58) **Field of Classification Search**  
USPC ..... D14/217, 432, 433, 434, 341-347, 371,  
D14/426, 427; D11/3; D10/30-39, 128;  
D13/107, 108  
CPC ..... A61M 16/0488; A61M 16/04; A61M  
16/0415; A61M 16/04818; A61M  
16/0434; A61M 16/0479; A61M 16/0486;  
A61M 16/0493; A61M 16/0497; A61M  
2025/022; A61M 2205/32; A61M 25/02;  
H04W 4/008; H04W 4/027  
See application file for complete search history.

D489,070 S *	4/2004	Chatterjee .....	D14/240
D490,403 S *	5/2004	Wu .....	D14/240
D494,156 S *	8/2004	Chen .....	D14/240
D585,048 S *	1/2009	Uchimura .....	D14/155
D589,490 S *	3/2009	Thusbass .....	D14/155
D600,232 S *	9/2009	Lee .....	D14/137
D682,806 S *	5/2013	Smith .....	D14/155
D685,757 S *	7/2013	Liu .....	D14/155
D738,869 S *	9/2015	Groener .....	D14/240
D747,695 S *	1/2016	Breines .....	D14/155
D762,612 S *	8/2016	Yano .....	D14/149
D819,631 S *	6/2018	Matsumiya .....	D14/357
D825,557 S *	8/2018	Matsumiya .....	D14/358
D831,101 S *	10/2018	Li .....	D17/20
D832,822 S *	11/2018	Cho .....	D14/217
D847,121 S *	4/2019	Sunwoo .....	D14/217
D847,791 S *	5/2019	Jhun .....	D14/217

\* cited by examiner

*Primary Examiner* — Khawaja Anwar  
(74) *Attorney, Agent, or Firm* — Raymond Y. Chan;  
David and Raymond Patent Firm

(57) **CLAIM**

The ornamental design for a audio bluetooth converter, as shown and described.

**DESCRIPTION**

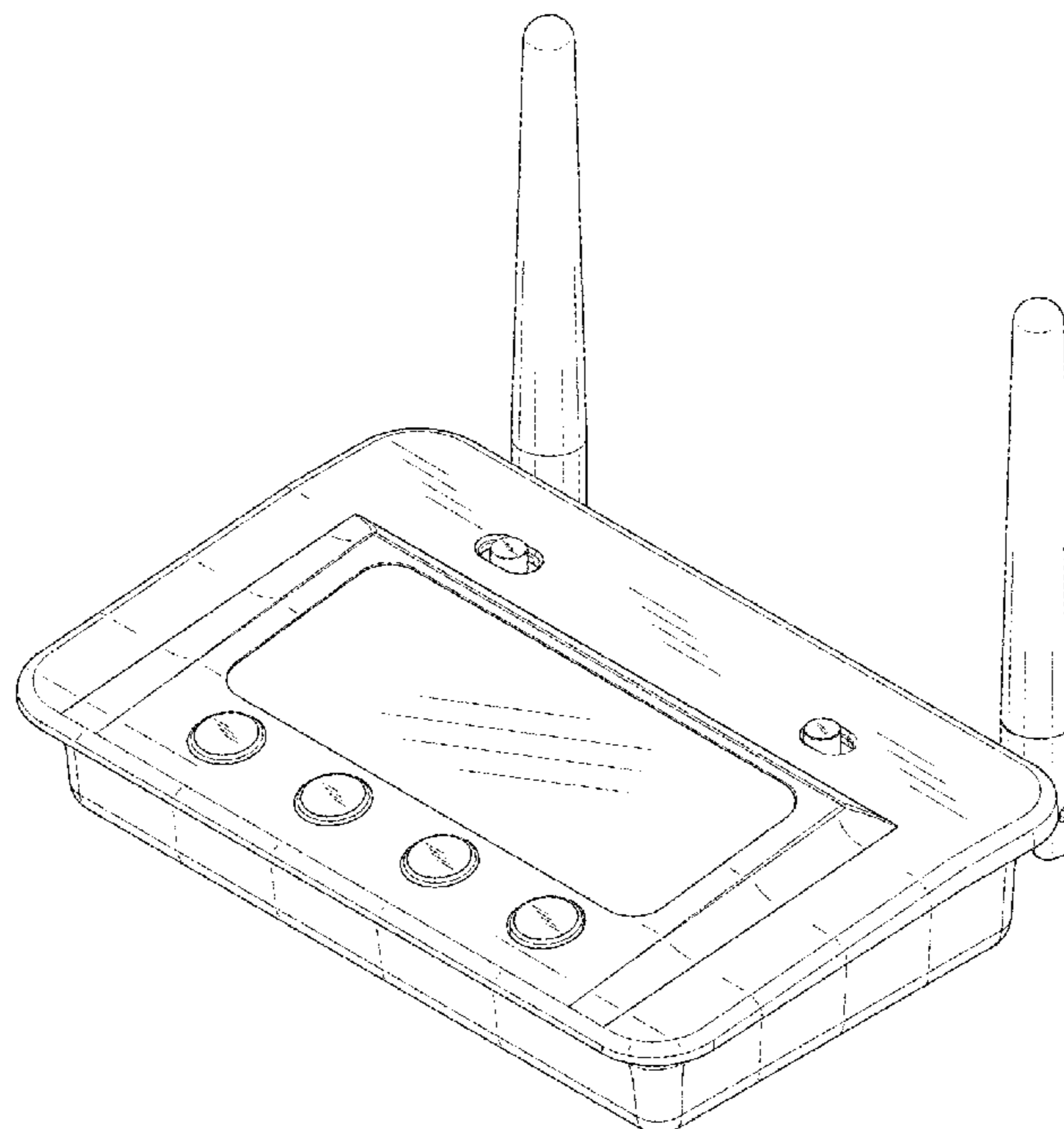
FIG. 1 is a top view of an audio bluetooth converter showing my new design.  
FIG. 2 is a bottom view thereof.  
FIG. 3 is a front view thereof.  
FIG. 4 is a rear view thereof.  
FIG. 5 is a left view thereof.  
FIG. 6 is a right view thereof; and,  
FIG. 7 is a perspective view thereof.

**1 Claim, 7 Drawing Sheets**

(56) **References Cited**

U.S. PATENT DOCUMENTS

D395,285 S *	6/1998	Allon .....	D14/388
D437,311 S *	2/2001	Nam .....	D14/227
D486,820 S *	2/2004	Burns .....	D14/242



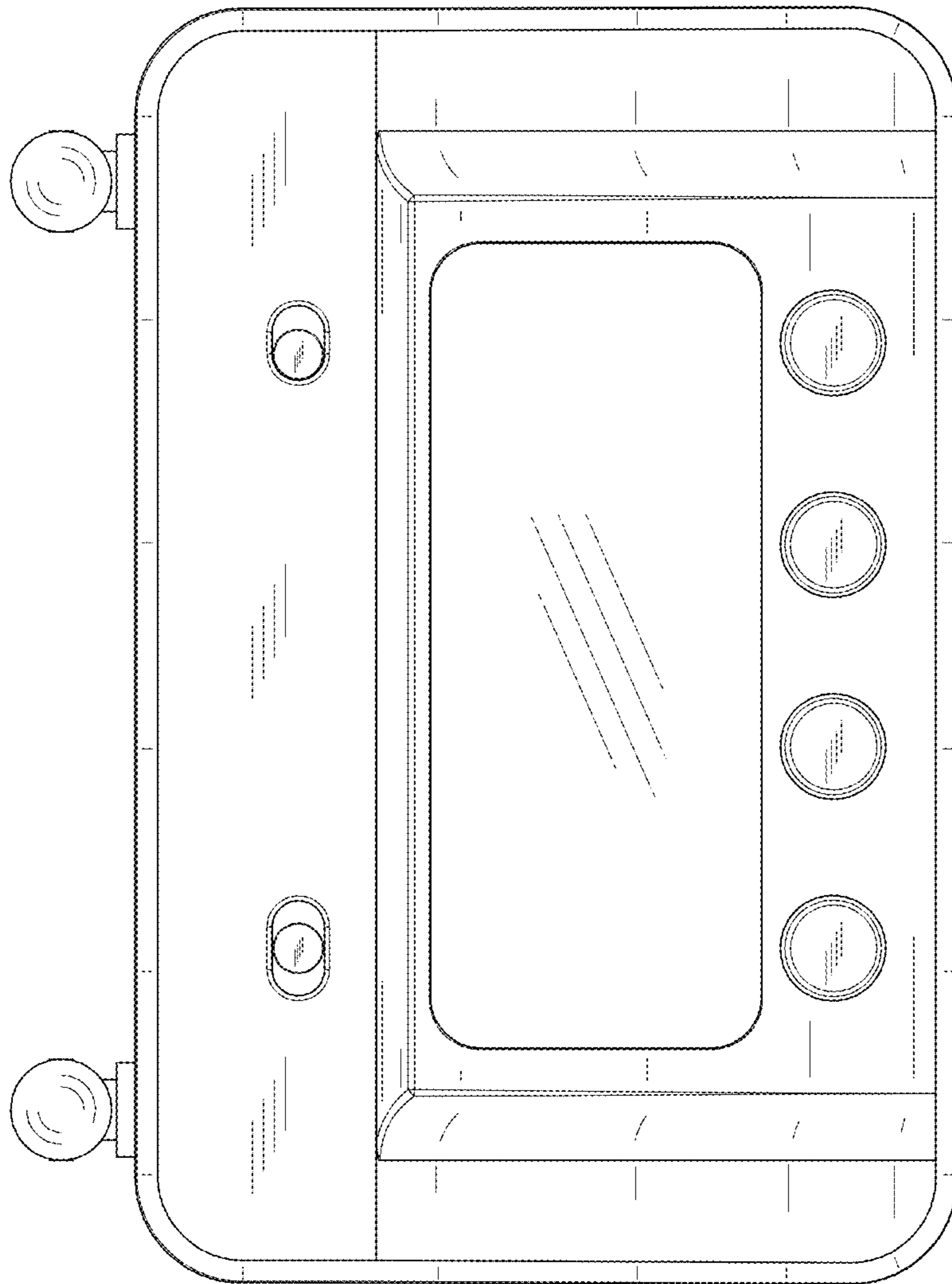


FIG 1

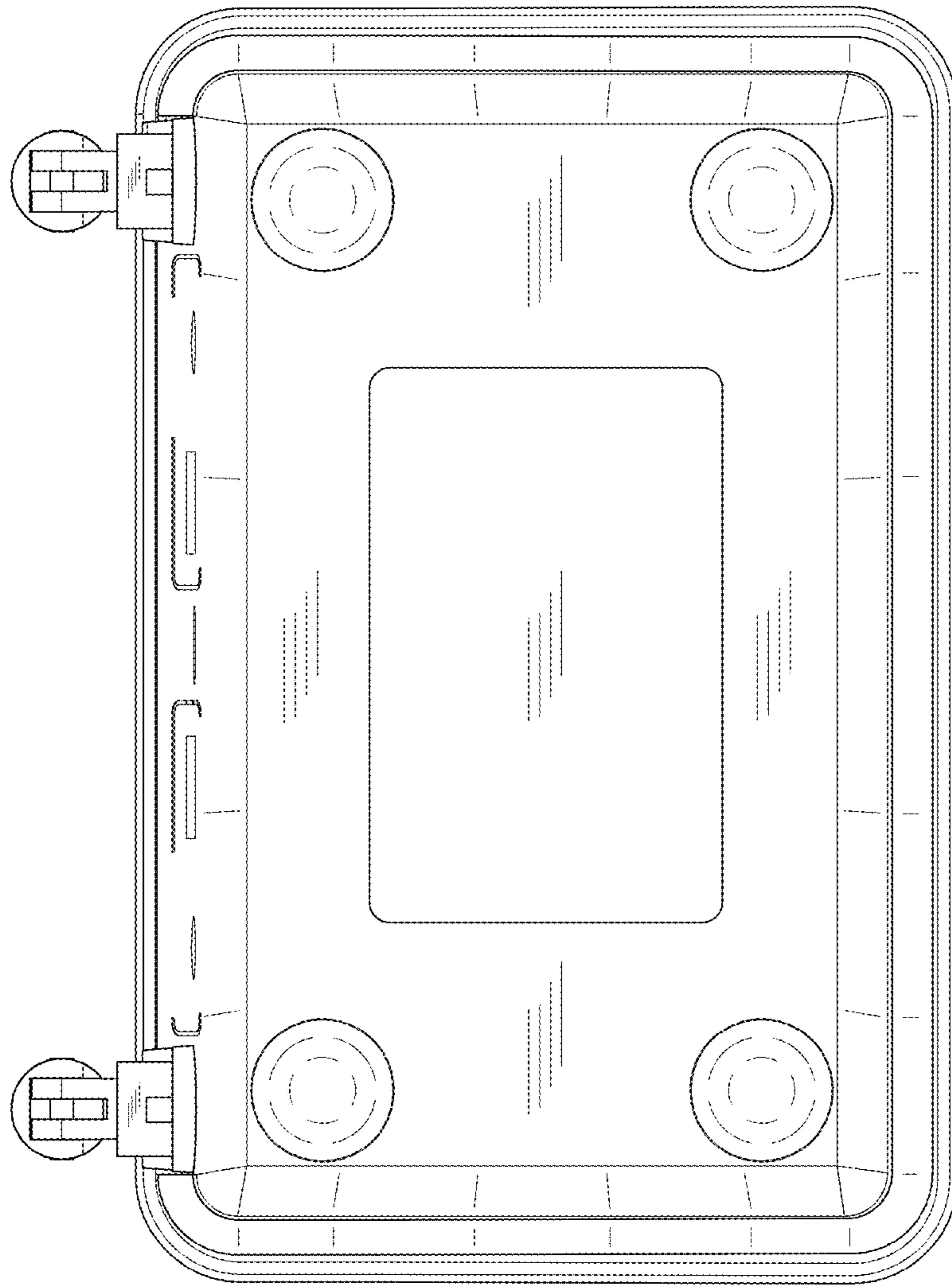


FIG 2

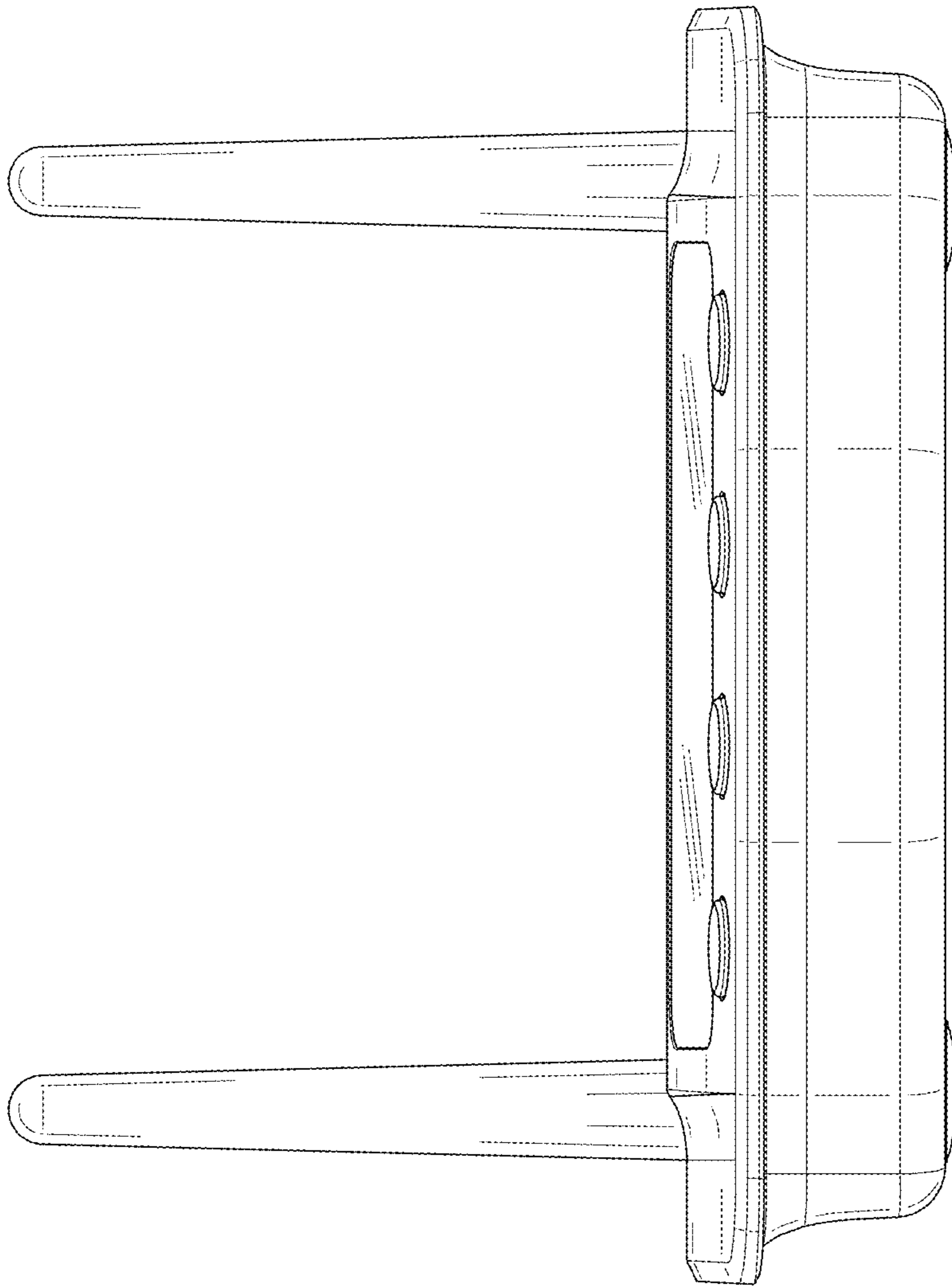


FIG 3

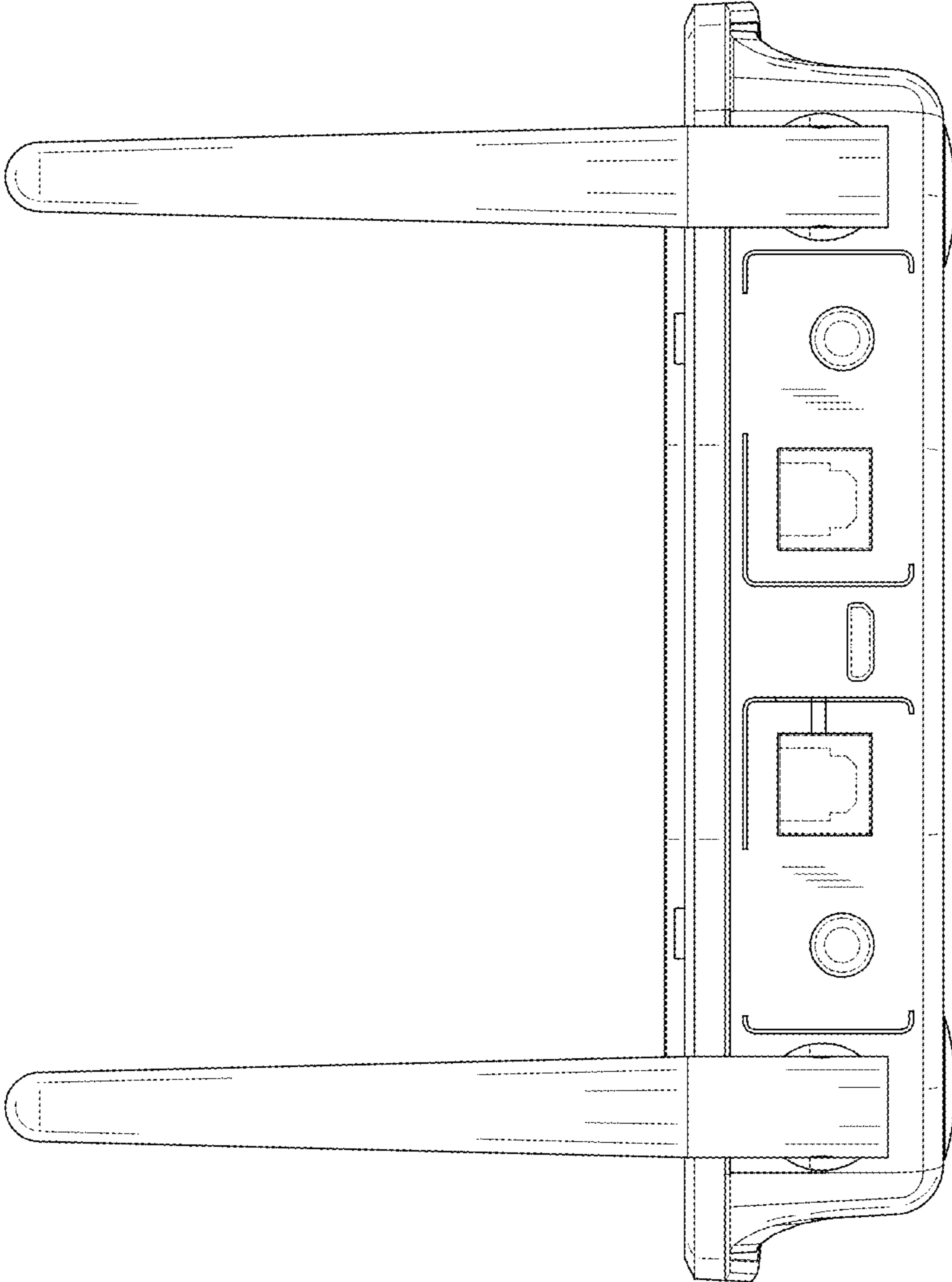


FIG 4

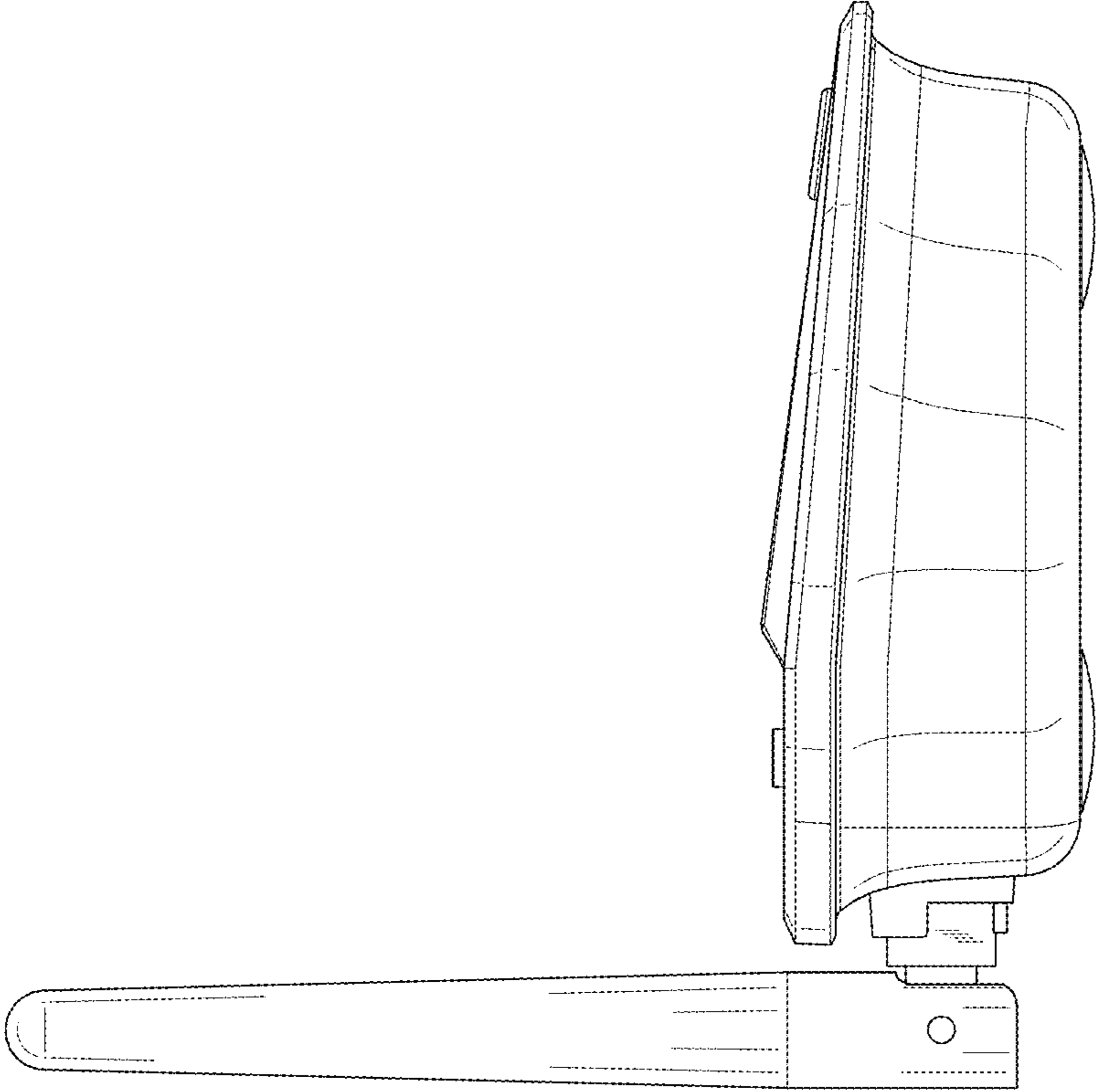


FIG 5

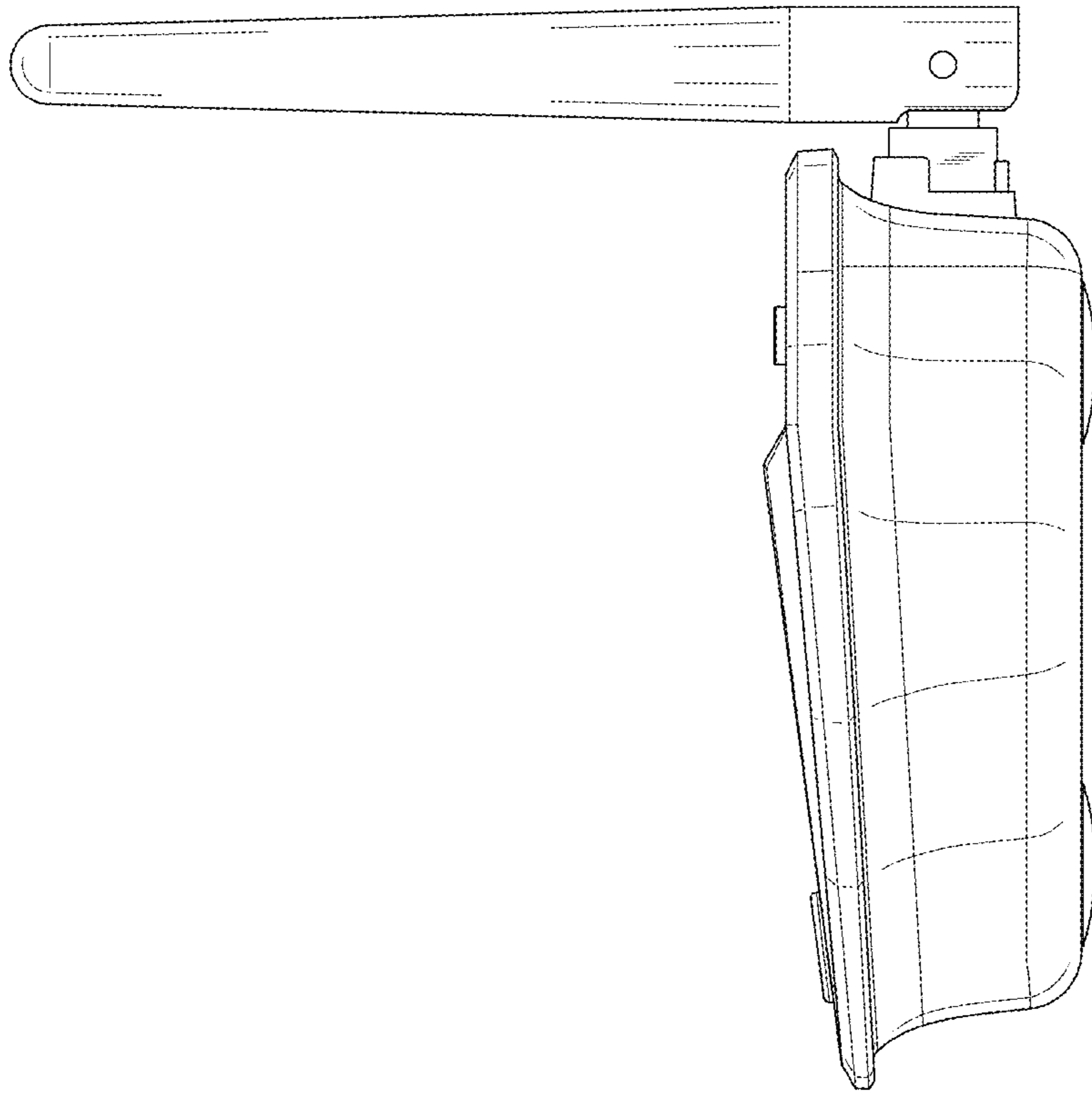


FIG 6

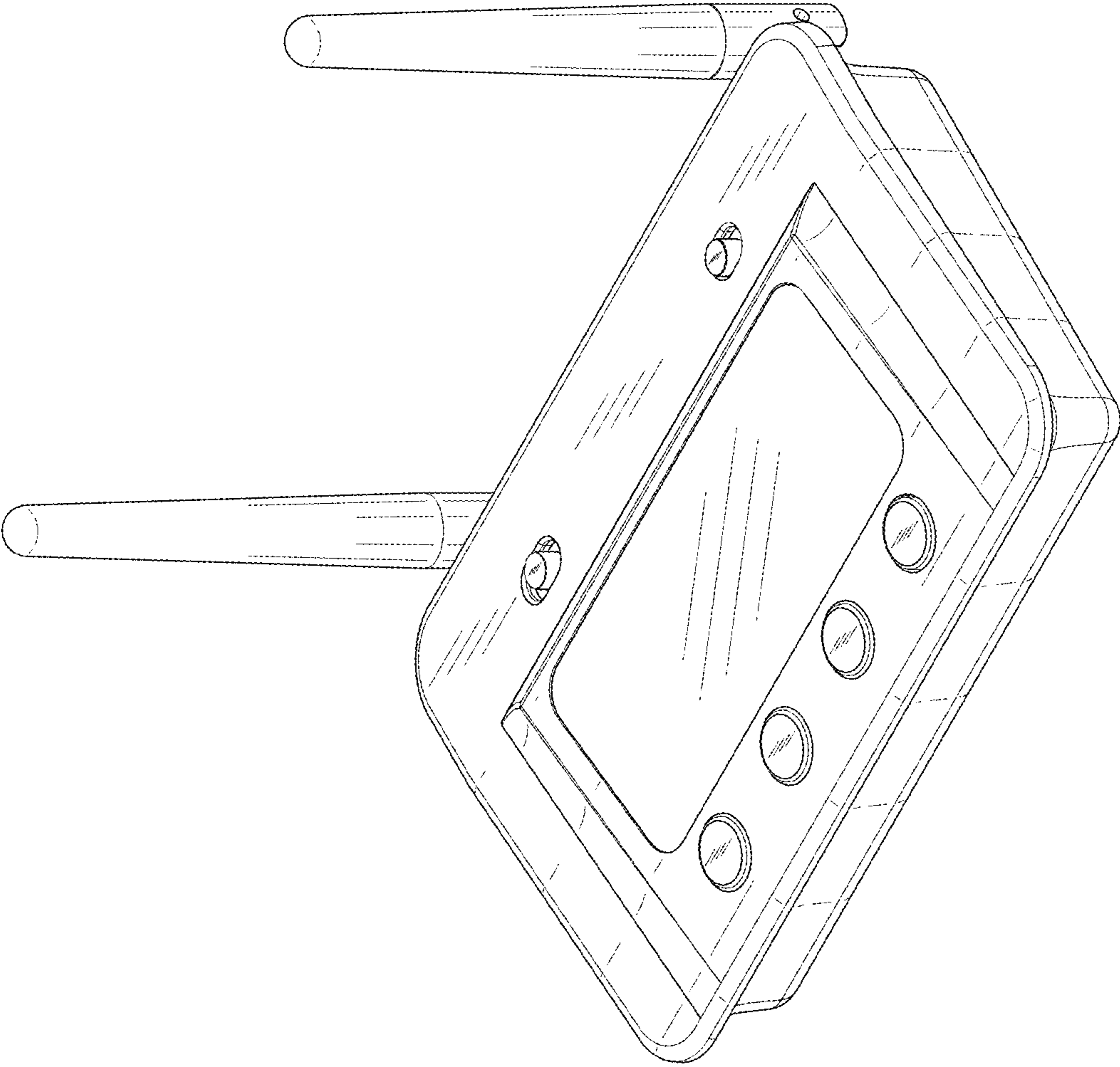


FIG 7