



US00D872708S

(12) **United States Design Patent**
Kirkland

(10) **Patent No.:** **US D872,708 S**

(45) **Date of Patent:** **** *Jan. 14, 2020**

(54) **DRIVER SIDE SPEAKER ENCLOSURE**

(71) Applicant: **Gerald Kirkland**, Kaufman, TX (US)

(72) Inventor: **Gerald Kirkland**, Kaufman, TX (US)

(*) Notice: This patent is subject to a terminal disclaimer.

(**) Term: **15 Years**

(21) Appl. No.: **29/631,956**

(22) Filed: **Jan. 4, 2018**

(51) **LOC (12) Cl.** **14-01**

(52) **U.S. Cl.**
USPC **D14/214**

(58) **Field of Classification Search**
USPC D14/167, 168, 170–172, 188, 194–196,
D14/204, 209.1, 210–216, 219, 221, 222,
D14/224, 239, 496
CPC B60R 11/0217; G06F 1/1688; G10K 9/22;
G10K 11/004; H03F 1/327; H04M 1/03;
H04M 1/035; H04N 5/642; H04N
21/4852; H04R 1/02; H04R 1/06; H04R
1/021; H04R 1/025; H04R 1/026; H04R
1/028; H04R 1/105; H04R 1/323; H04R
1/403; H04R 1/2803; H04R 1/2834;
H04R 5/02; H04R 7/20; H04R 9/06;
H04R 9/025; H04R 2201/021; H04R
2400/00; H04R 2400/07; H04R 2499/11;
H04R 2499/13; H04R 2499/15; H04S
3/00; H04S 7/30

See application file for complete search history.

(56) **References Cited**

U.S. PATENT DOCUMENTS

D224,541 S * 8/1972 Burrige D14/222
D229,316 S * 11/1973 Burrige D14/222
D523,417 S * 6/2006 Amada D14/204
D529,482 S * 10/2006 Kamimura D14/214

D558,734 S * 1/2008 Koike D14/204
D571,358 S * 6/2008 Yoshinaga D14/214
D577,712 S * 9/2008 Itoh D14/214
D592,641 S * 5/2009 Ryu D14/214
D592,643 S * 5/2009 Fujiwara D14/214
D647,879 S * 11/2011 Chen D14/215
D650,358 S * 12/2011 Chen D14/215
D675,191 S * 1/2013 Chen D14/215
D763,824 S * 8/2016 Kaplan D14/215
D784,293 S * 4/2017 Kirkland D14/214
D797,077 S * 9/2017 Kirkland D14/214
D808,925 S * 1/2018 Kaplan D14/215
D810,048 S * 2/2018 Kaplan D14/215
D832,235 S * 10/2018 Noedinger B60K 37/00
D14/210

(Continued)

Primary Examiner — Keli L Hill

(74) *Attorney, Agent, or Firm* — William Lovin & Assoc.,
LLC; William R. Lovin

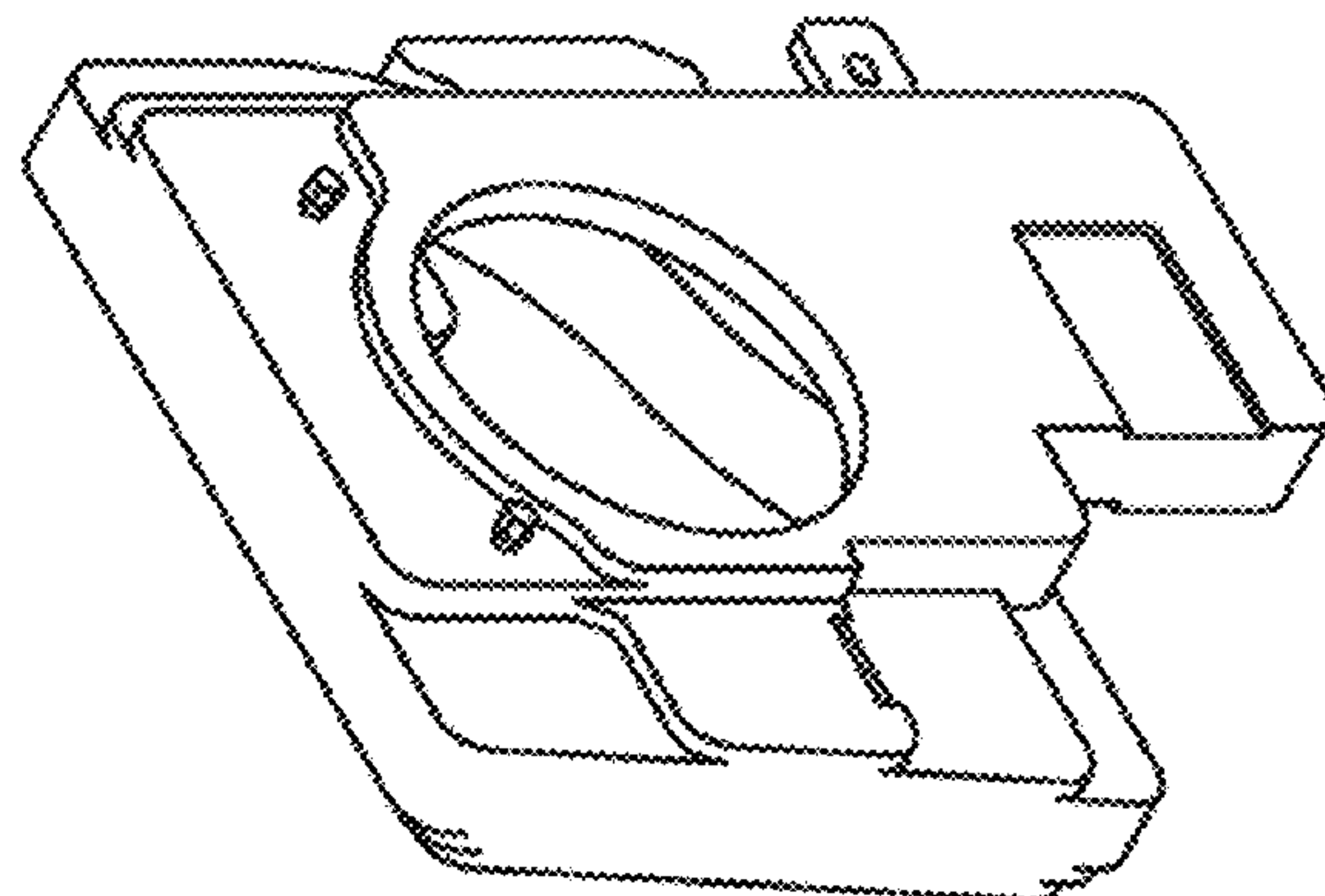
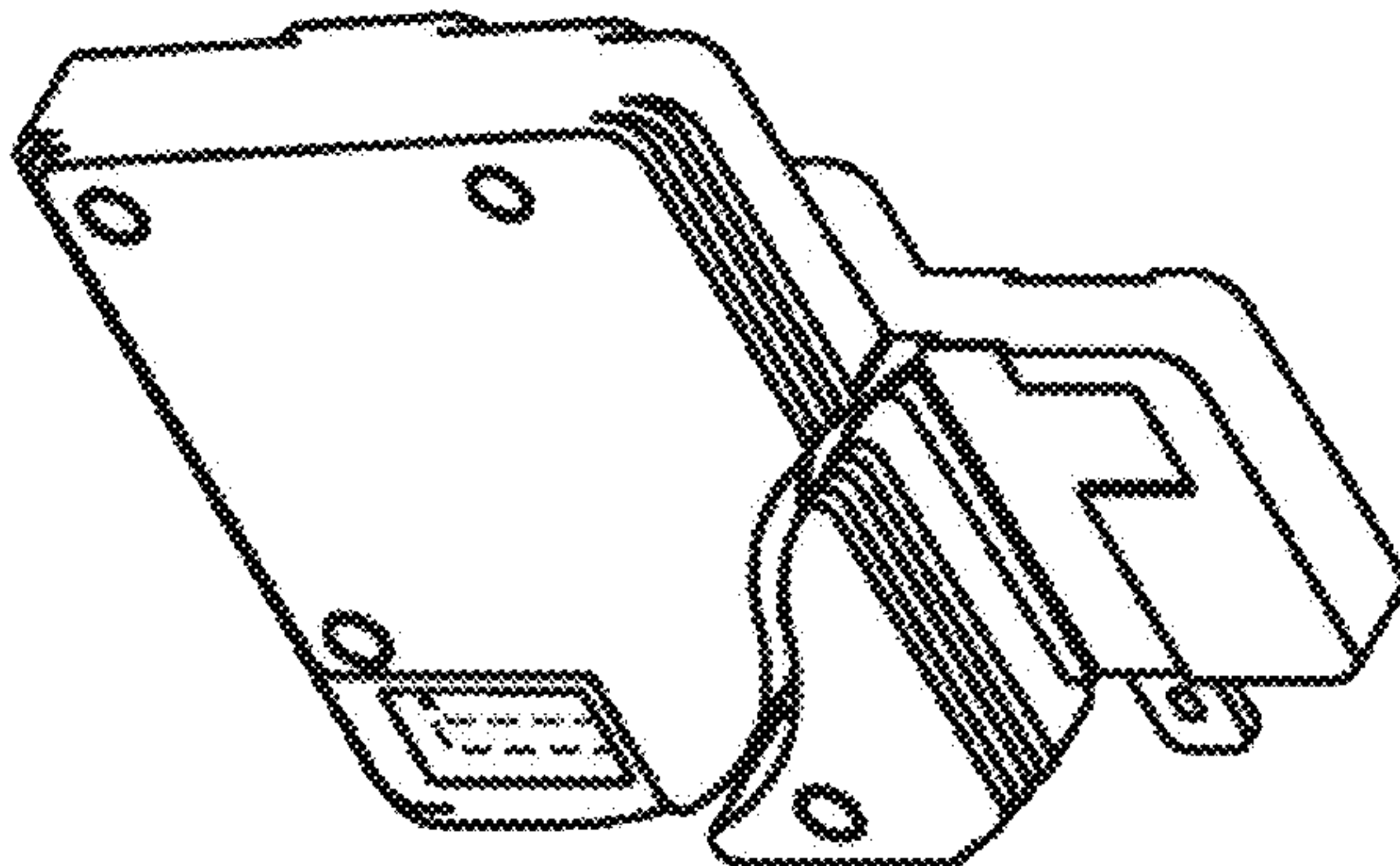
(57) **CLAIM**

The ornamental design for a driver side speaker enclosure,
as shown and described.

DESCRIPTION

FIG. 1 is a bottom view of a driver side speaker enclosure,
in accordance with the present invention;
FIG. 2 is a view of the right edge, top is up, thereof;
FIG. 3 is a view of the rear edge, top is to the right, thereof;
FIG. 4 is a view of the left edge, top is up, thereof;
FIG. 5 is a view of the front edge, top is to the left, thereof;
FIG. 6 is a first bottom perspective view thereof;
FIG. 7 is a second bottom perspective view thereof;
FIG. 8 is a third bottom perspective view thereof;
FIG. 9 is a fourth bottom perspective view thereof;
FIG. 10 is top view thereof;
FIG. 11 is a first top perspective view thereof;
FIG. 12 is a second top perspective view thereof;
FIG. 13 is a third top perspective view thereof; and,
FIG. 14 is a fourth top perspective view thereof.

1 Claim, 2 Drawing Sheets



(56)

References Cited

U.S. PATENT DOCUMENTS

2016/0241949 A1* 8/2016 Hess B60K 37/00

* cited by examiner

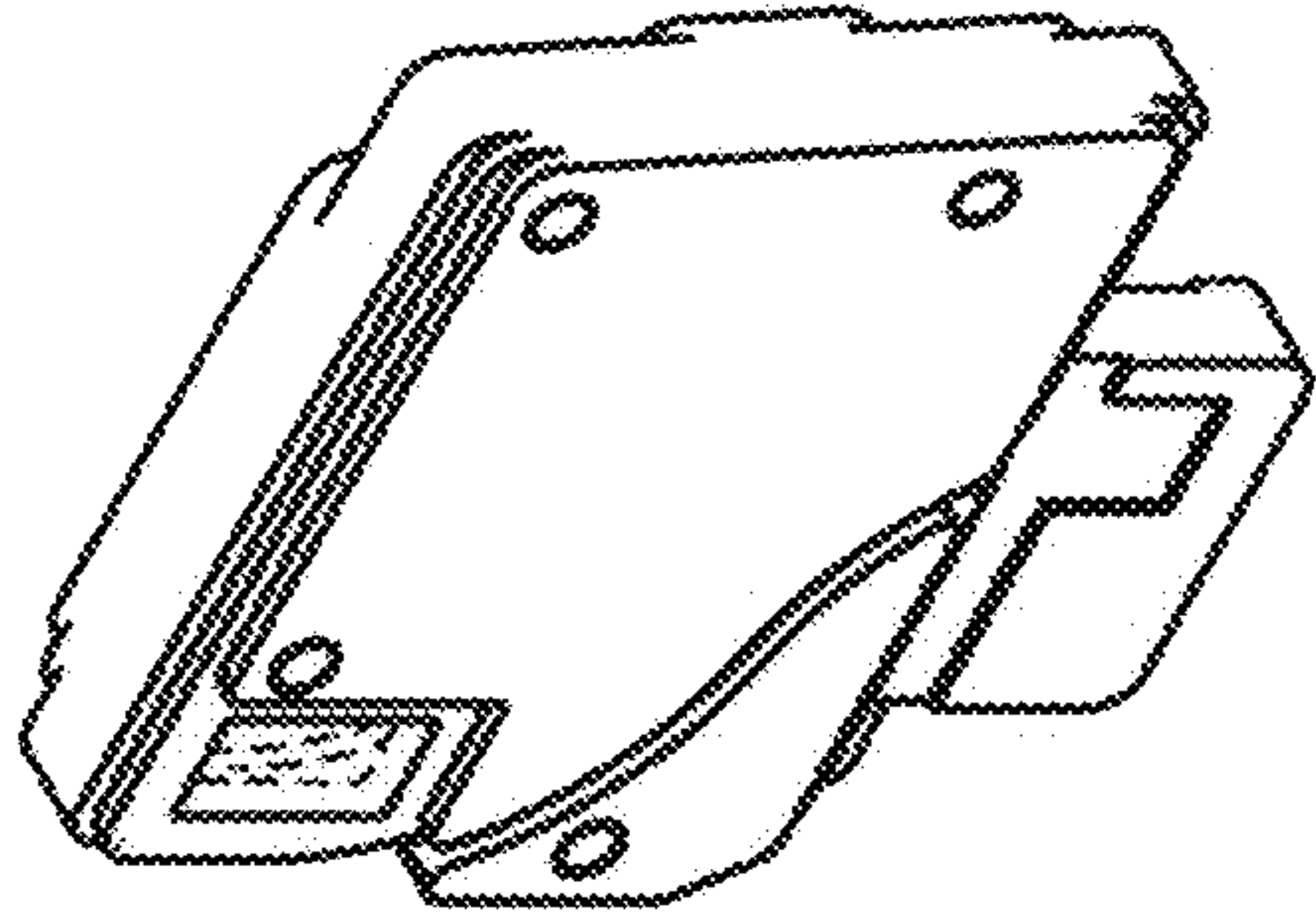


Fig. 6

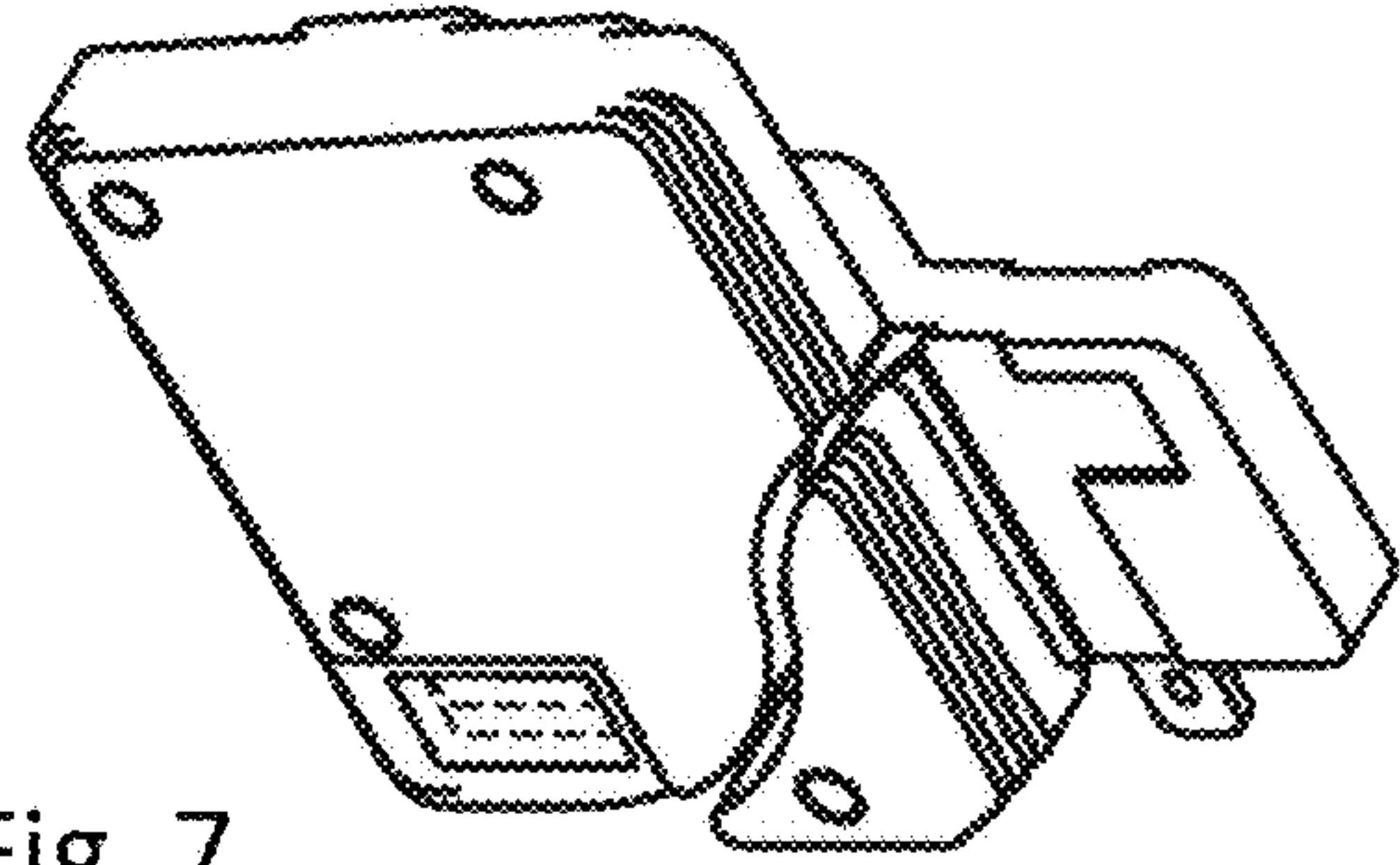


Fig. 7

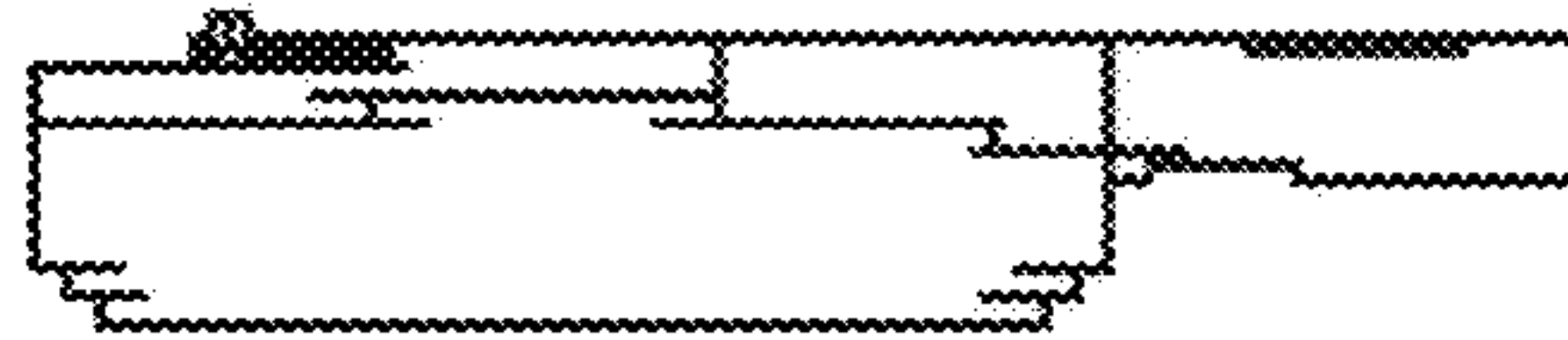


Fig. 2

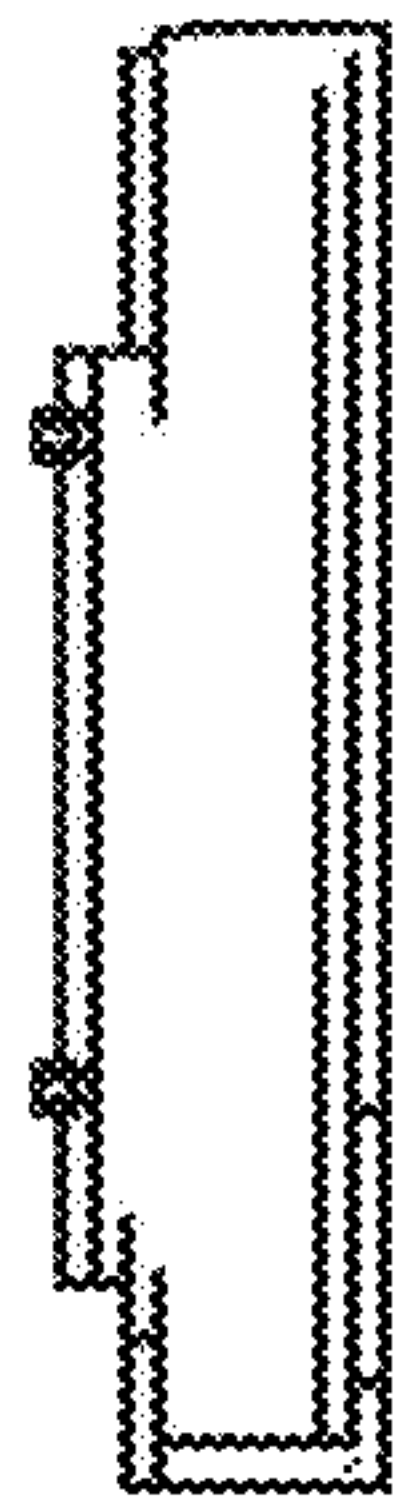


Fig. 5

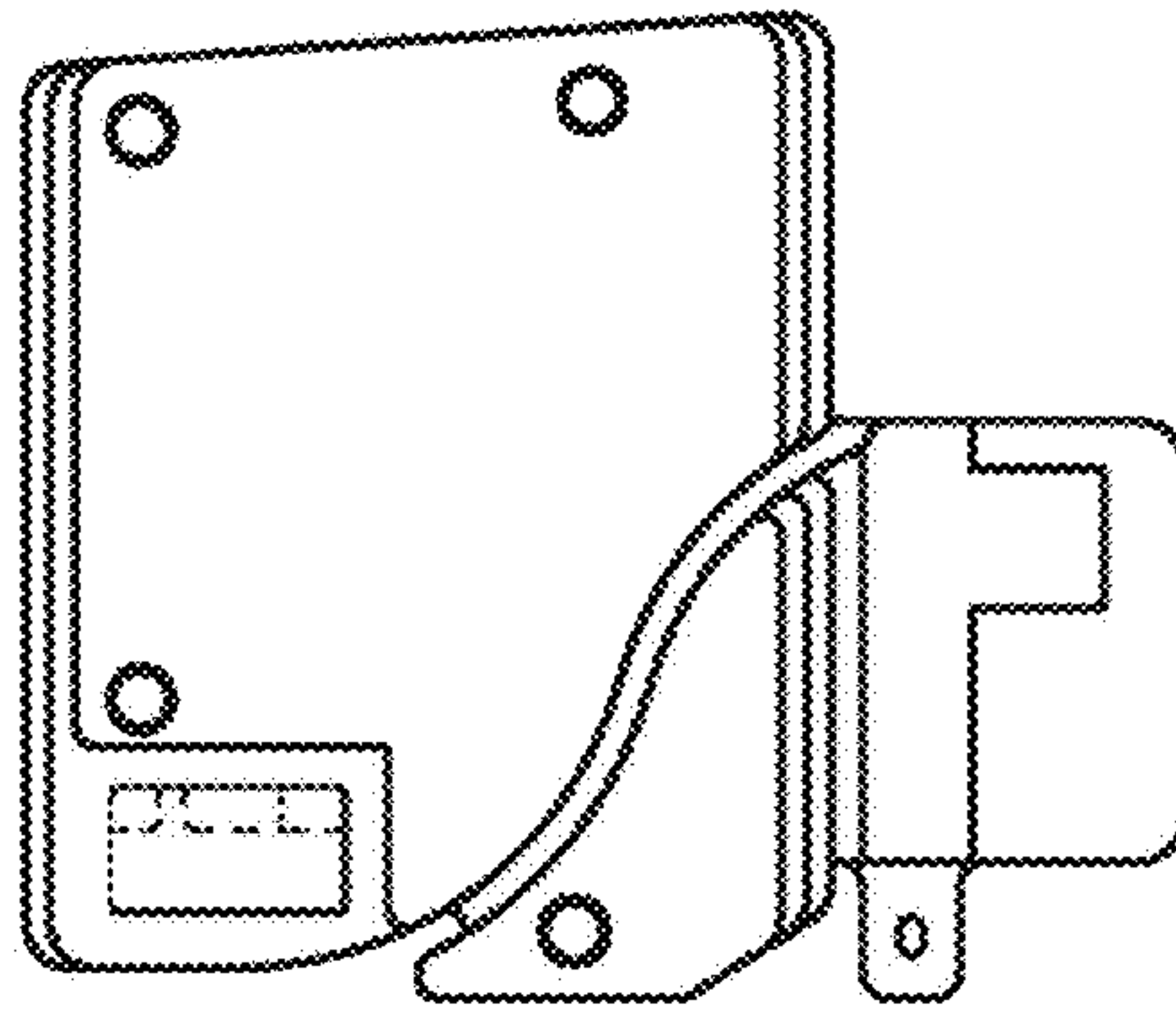


Fig. 1

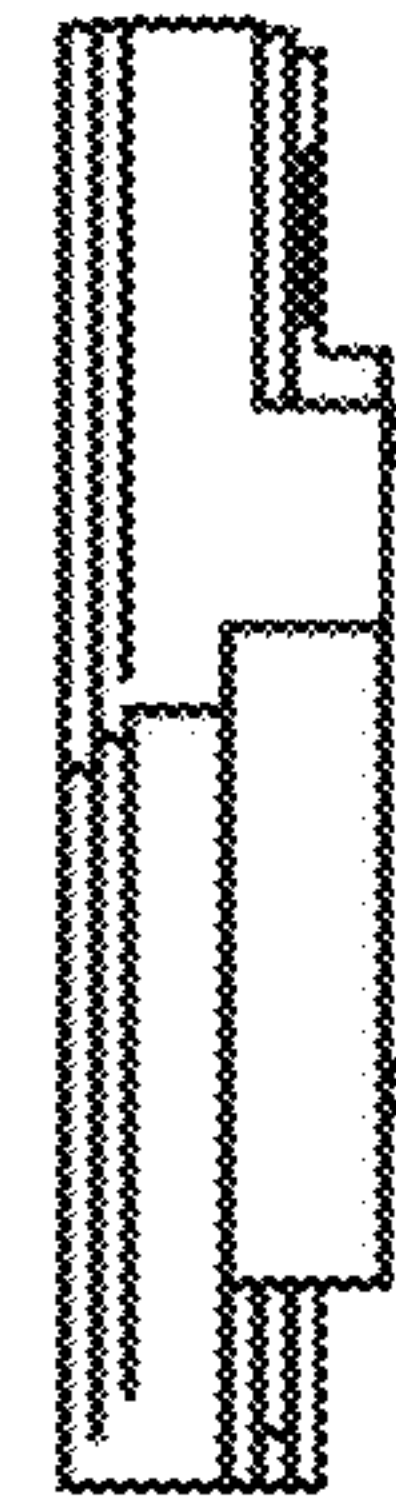


Fig. 3

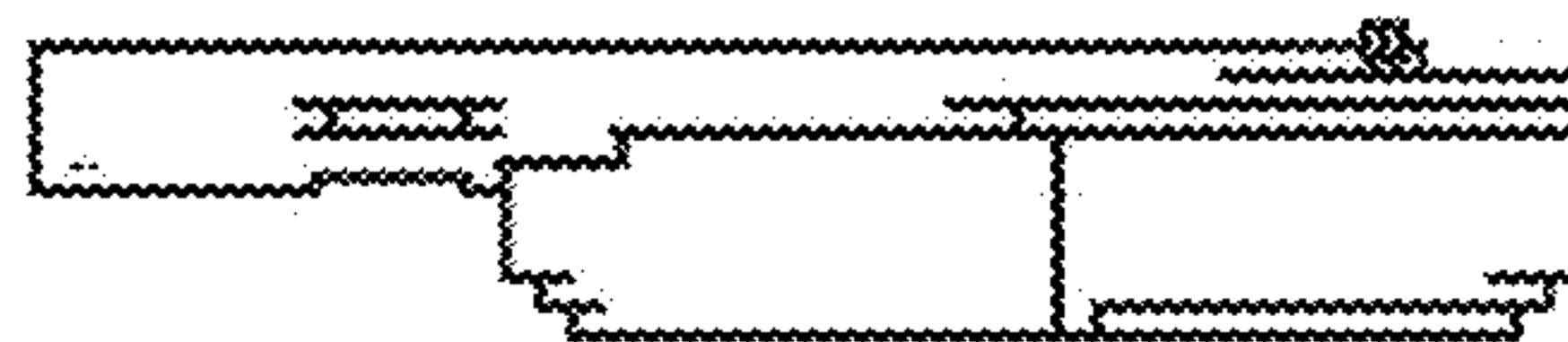


Fig. 4

Fig. 9

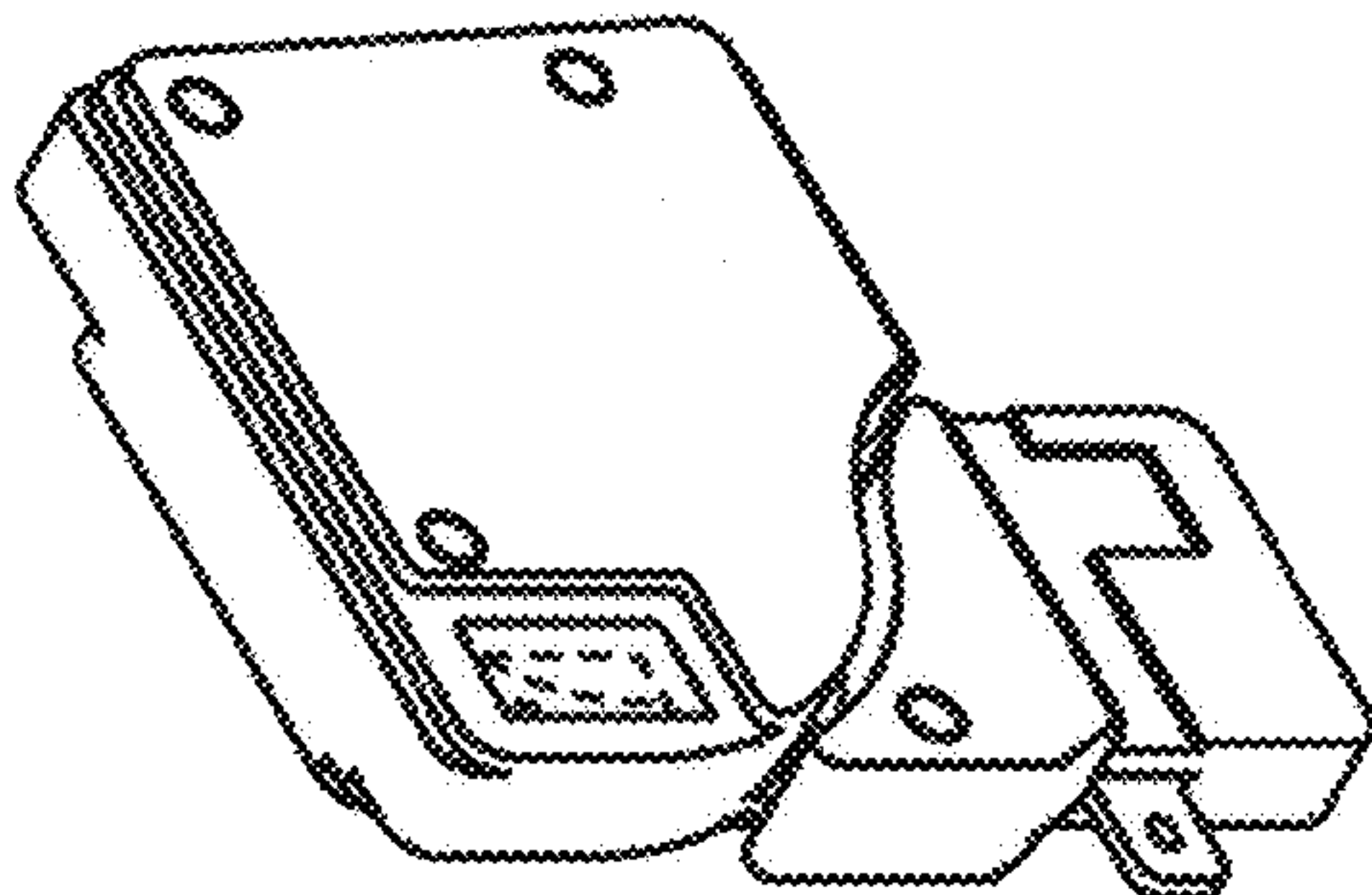


Fig. 8

