



US00D872707S

(12) **United States Design Patent**
Liu

(10) **Patent No.:** **US D872,707 S**
(45) **Date of Patent:** **** Jan. 14, 2020**

(54) **WIRELESS HEADSET**

(71) Applicant: **Shenzhen MeiDiEnWeiTe Technology Co., Ltd.**, Shenzhen (CN)

(72) Inventor: **Qiang Liu**, Shenzhen (CN)

(**) Term: **15 Years**

(21) Appl. No.: **29/662,149**

(22) Filed: **Sep. 4, 2018**

(51) **LOC (12) Cl.** **14-01**

(52) **U.S. Cl.**

USPC **D14/206**; D14/226

(58) **Field of Classification Search**

USPC D14/206, 225, 226, 205; D24/174;
128/864, 865, 866; 181/129, 130, 135;
379/430, 431; 381/380, 381, 374, 370;
455/90.3, 575.1, 569.1

CPC H04R 25/00; H04R 1/10; H04R 19/04;
H04R 1/1066; H04R 1/1016; H04R
5/033; H04R 5/0335

See application file for complete search history.

(56) **References Cited**

U.S. PATENT DOCUMENTS

D179,150 S	*	11/1956	Norris	D14/192
D233,444 S	*	10/1974	Christian	D14/206
D311,521 S	*	10/1990	Jonsson	D14/206
D354,568 S	*	1/1995	Araki	D24/174
D384,958 S	*	10/1997	Shudo	D14/206
D406,140 S	*	2/1999	Hall	D14/205
D420,007 S	*	2/2000	Marshall	D14/206
D449,039 S	*	10/2001	Weikel	D14/227
D451,907 S	*	12/2001	Amae	D14/206
D457,635 S	*	5/2002	Dittli	D24/174
D463,784 S	*	10/2002	Taylor	D14/206
D474,178 S	*	5/2003	Eroma	D14/205
D481,375 S	*	10/2003	Suzuki	D14/206
D498,227 S	*	11/2004	Dyer	D14/205
D504,419 S	*	4/2005	Bey	D14/223

D505,413 S	*	5/2005	Skulley	D14/223
D506,258 S	*	6/2005	Nielsen	D24/174
D510,082 S	*	9/2005	Olson	D14/206
D511,156 S	*	11/2005	Eroma	D14/205
D512,984 S	*	12/2005	Ham	D14/205
D517,528 S	*	3/2006	Skulley	D14/206
D519,498 S	*	4/2006	Ham	D14/225
D520,496 S	*	5/2006	Gwee	D14/205
D521,492 S	*	5/2006	Ham	D14/205
D531,165 S	*	10/2006	Rath	D14/206
D535,980 S	*	1/2007	Bentley	D14/225
D537,815 S	*	3/2007	Bentley	D14/206
D539,266 S	*	3/2007	Bentley	D14/205
D540,313 S	*	4/2007	Rausch	D14/225
D541,787 S	*	5/2007	Ma	D14/205

(Continued)

FOREIGN PATENT DOCUMENTS

EM 005242302-0001 * 4/2018

Primary Examiner — Paula Allen Greene

(57) **CLAIM**

The ornamental design for a wireless headset, as shown and described.

DESCRIPTION

FIG. 1 is a first perspective view of a wireless headset showing the claimed new design;

FIG. 2 is a second perspective view thereof;

FIG. 3 is a front elevational view thereof;

FIG. 4 is a rear elevational view thereof;

FIG. 5 is a left side elevational view thereof;

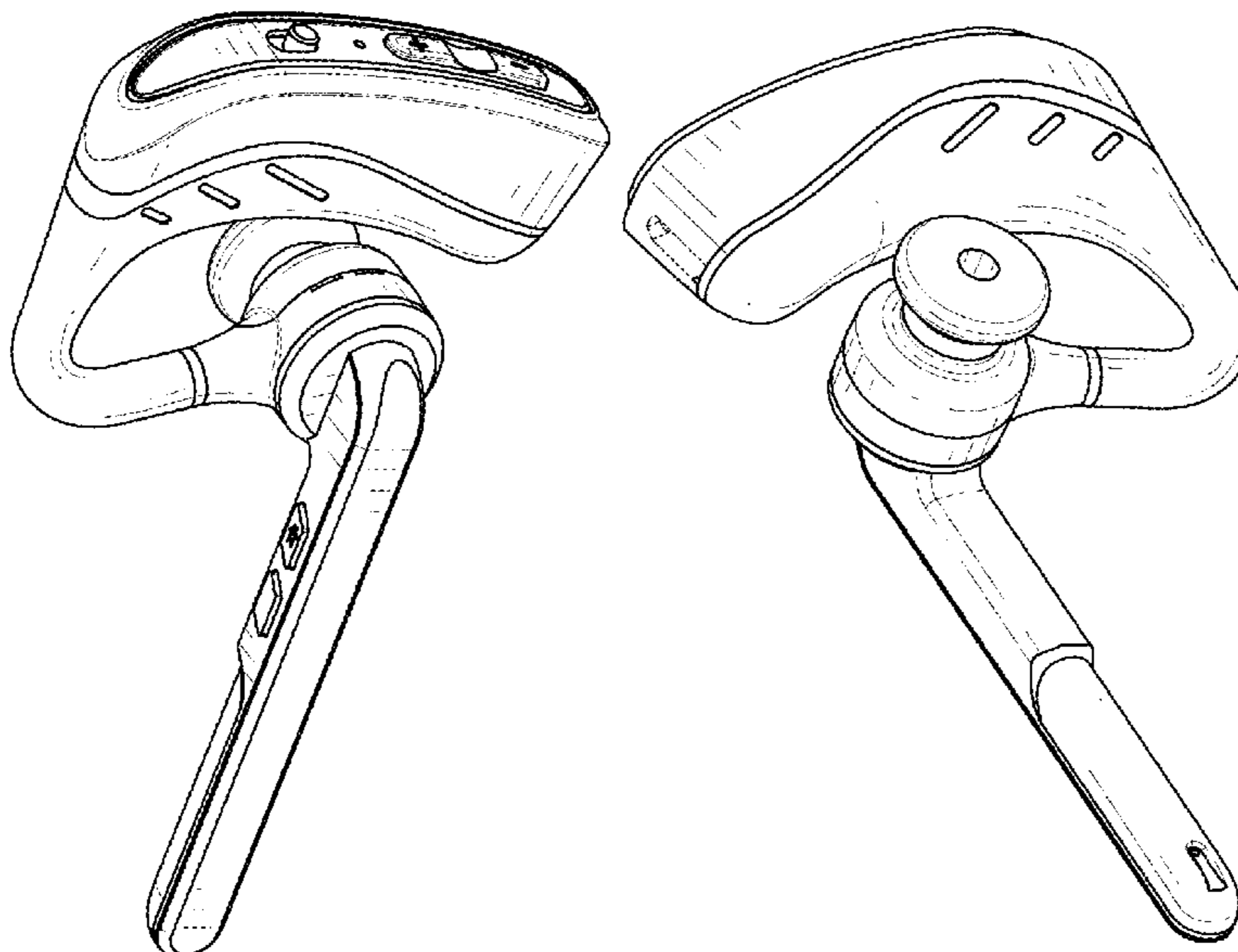
FIG. 6 is a right side elevational view thereof;

FIG. 7 is a top plane view thereof; and,

FIG. 8 is a bottom plane view thereof.

The broken lines immediately adjacent to the claimed portions are boundaries, all other broken lines are environmental structures; all the broken lines form no part of the claimed design.

1 Claim, 8 Drawing Sheets



(56)

References Cited

U.S. PATENT DOCUMENTS

D567,220 S *	4/2008	Wang	D14/206	D681,014 S *	4/2013	Ham	D14/206
D575,768 S *	8/2008	Wang	D14/206	D691,113 S *	10/2013	Gougherty	D14/206
D578,508 S *	10/2008	Wang	D14/206	D717,767 S *	11/2014	Mistry	D14/206
D589,492 S *	3/2009	Mistry	D14/205	9,307,311 B2 *	4/2016	Tran	H04R 1/10
D589,934 S *	4/2009	Esses	D14/206	D784,290 S *	4/2017	Paterson	D14/205
D597,072 S *	7/2009	Asai	D14/206	D784,291 S *	4/2017	Paterson	D14/206
D602,001 S *	10/2009	Bentley	D14/206	D800,692 S *	10/2017	Tan	D14/206
D602,906 S *	10/2009	Groves	D14/205	D812,040 S *	3/2018	Yan	D14/206
D602,908 S *	10/2009	Ham	D14/206	D830,337 S *	10/2018	Yan	D14/206
D603,372 S *	11/2009	Bentley	D14/206	D830,338 S *	10/2018	Yan	D14/206
D612,834 S *	3/2010	Yang	D14/206	D830,339 S *	10/2018	Yan	D14/206
D612,835 S *	3/2010	Yang	D14/206	D838,688 S *	1/2019	Liu	D14/206
D612,840 S *	3/2010	Yang	D14/206	D851,065 S *	6/2019	Yan	D14/206
D617,771 S *	6/2010	Groves	D14/205	D855,036 S *	7/2019	Yan	D14/206
D643,405 S *	8/2011	Rath	D14/206	2004/0062410 A1 *	4/2004	Wagner	H04R 25/65 381/330
D647,877 S *	11/2011	Son	D14/206	2010/0290655 A1 *	11/2010	Takeda	H04R 25/602 381/323
D648,318 S *	11/2011	Huang	D14/206	2013/0322646 A1 *	12/2013	Davie	H04R 1/1041 381/74
D652,017 S *	1/2012	Groves	D14/206	2015/0237434 A1 *	8/2015	Tran	H04R 1/1008 381/380
D657,347 S *	4/2012	Chung	D14/206	2017/0339498 A1 *	11/2017	Vandyke	H04R 25/60
D670,267 S *	11/2012	Maddern	D14/206					
D671,915 S *	12/2012	Birger	D14/206					

* cited by examiner

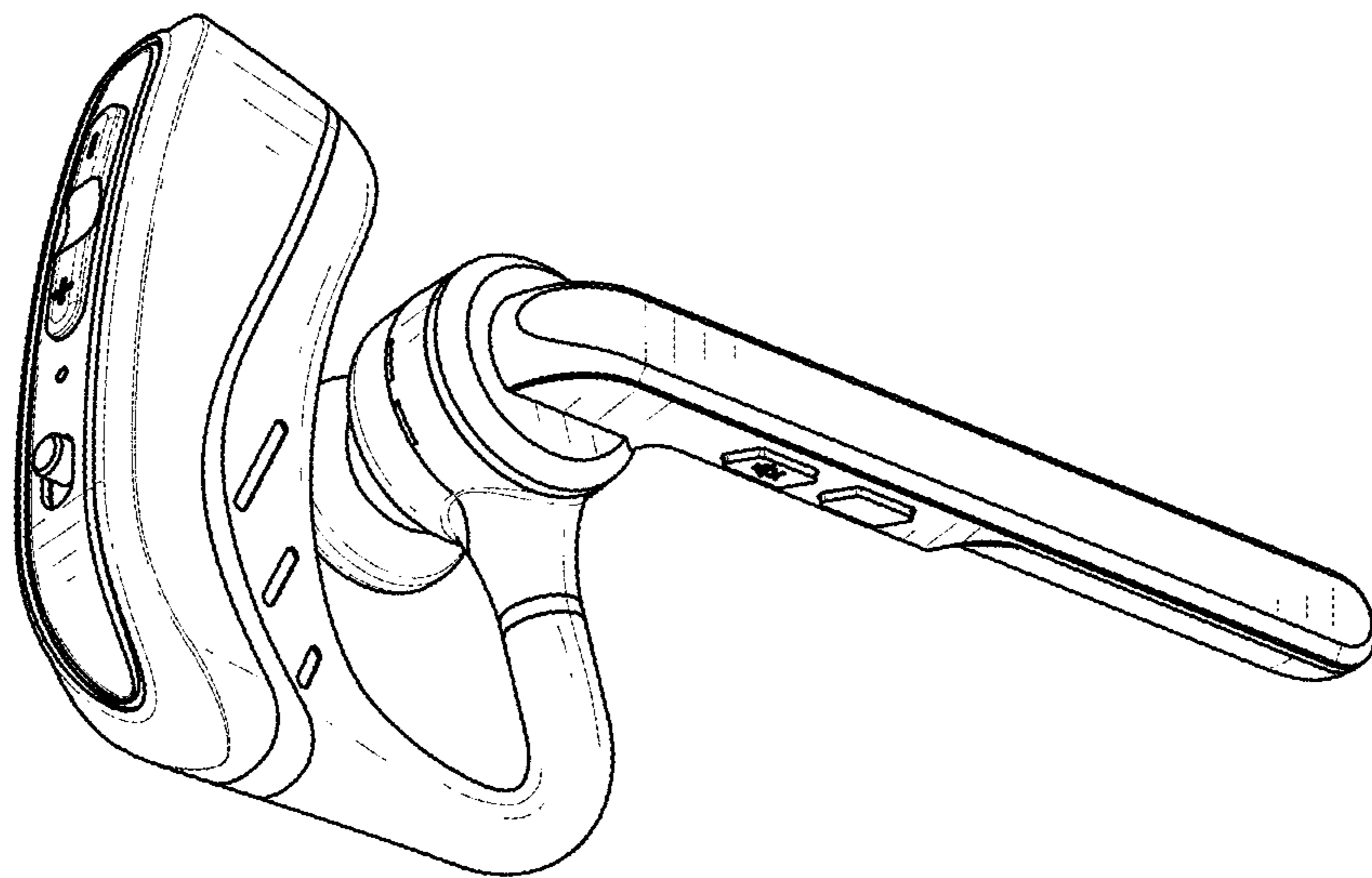


FIG. 1

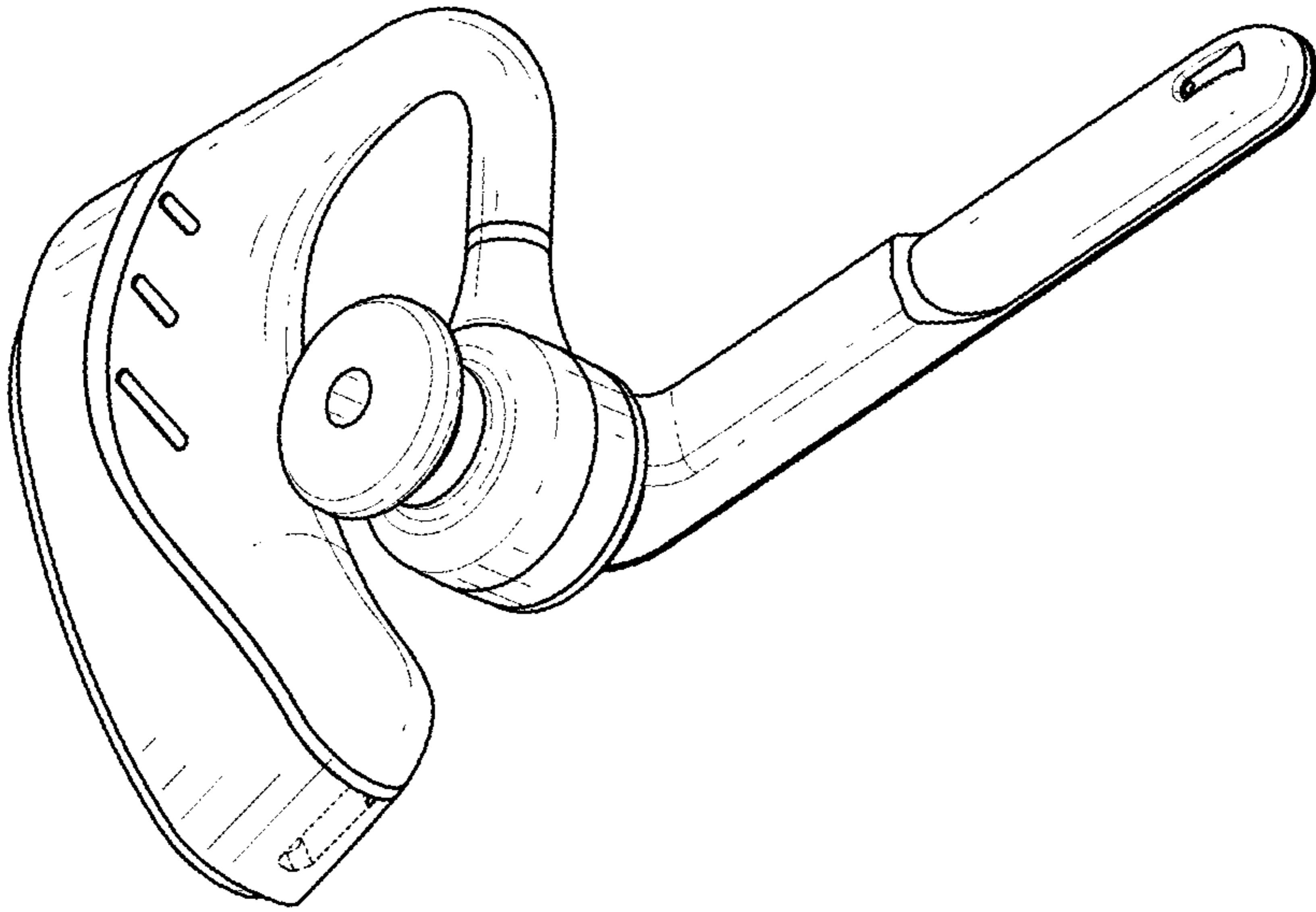


FIG. 2

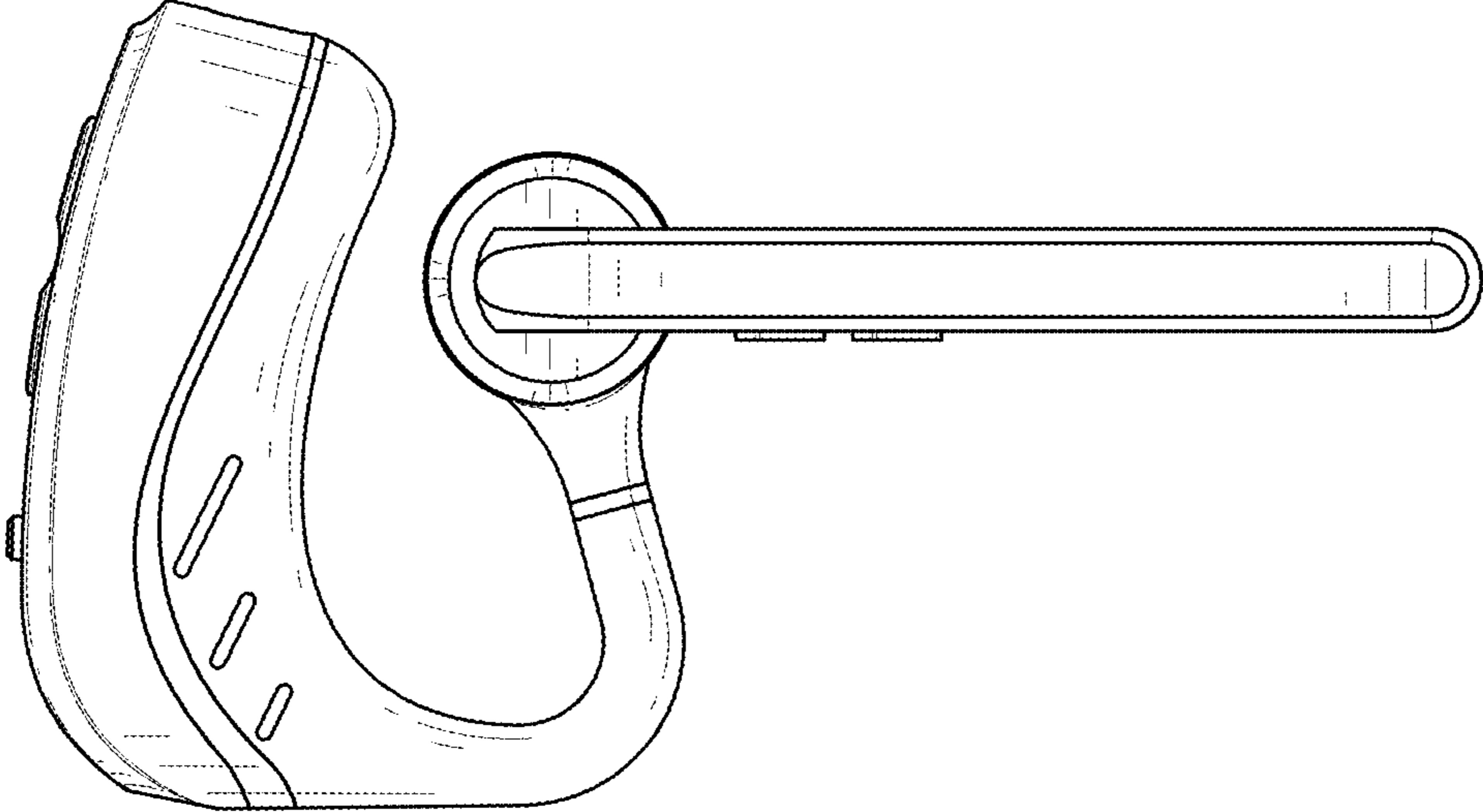


FIG. 3

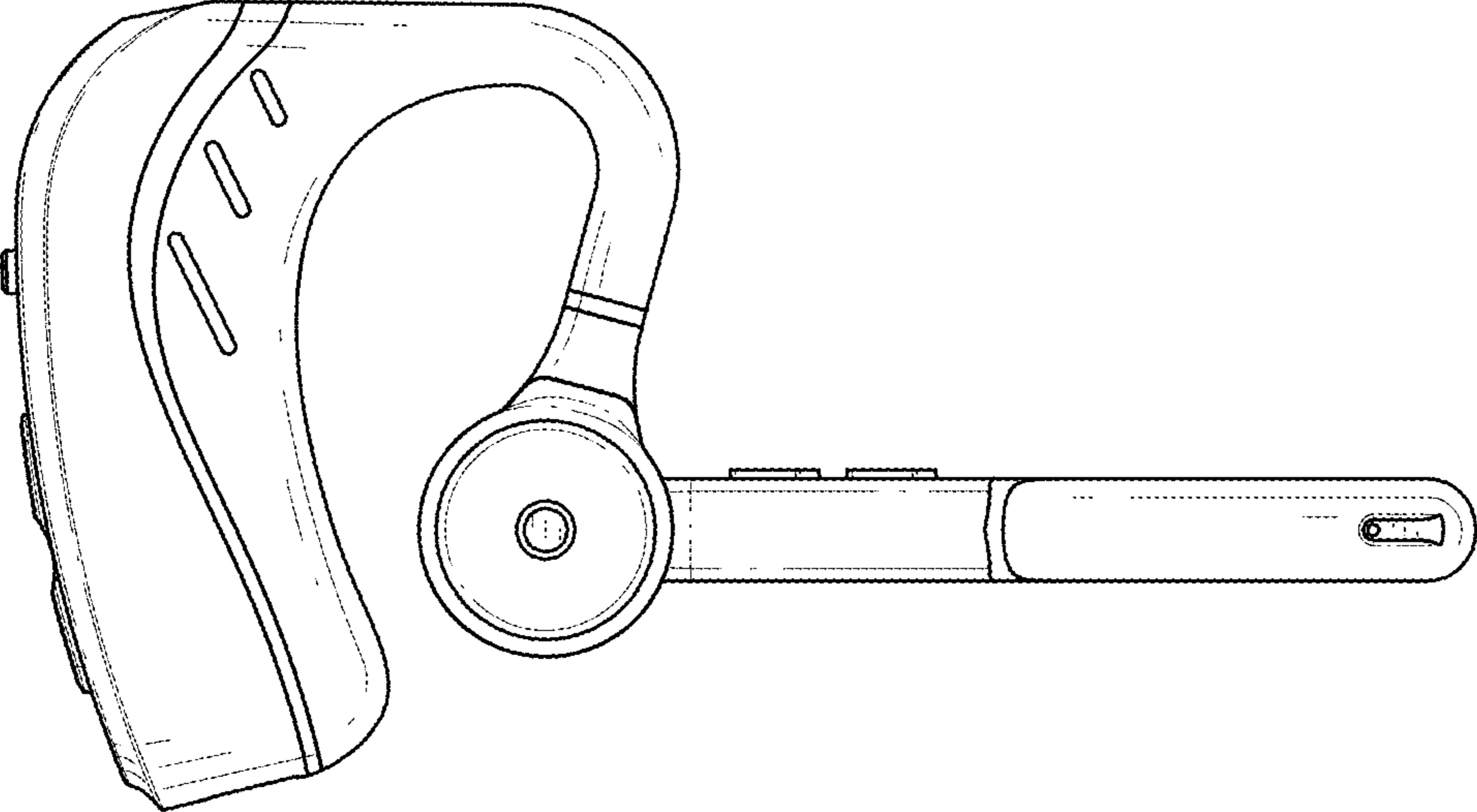


FIG. 4

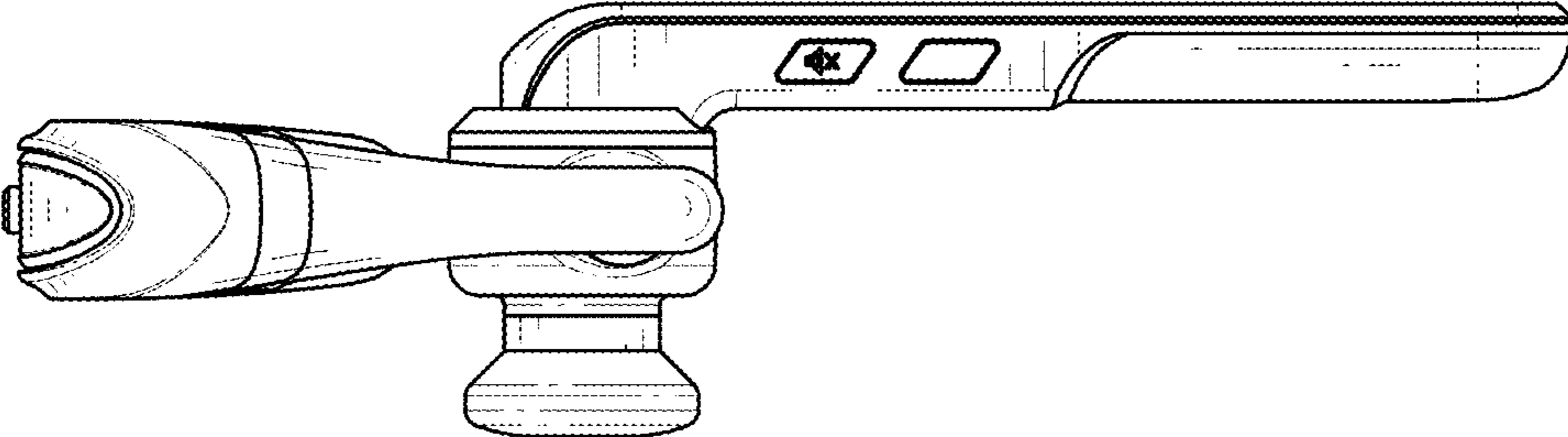


FIG. 5

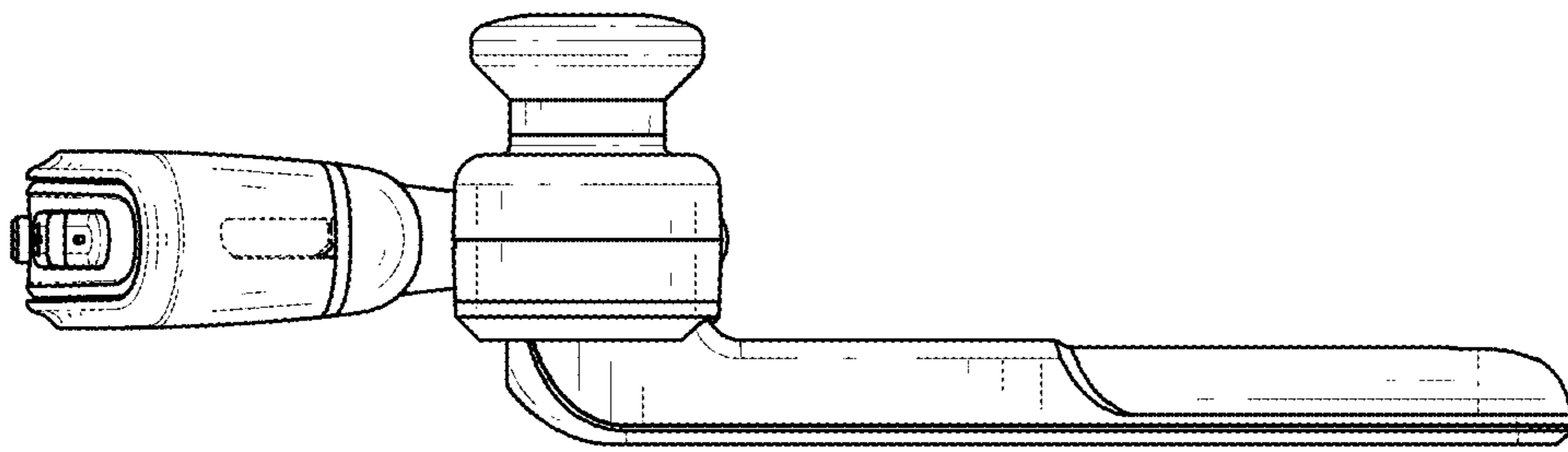


FIG. 6

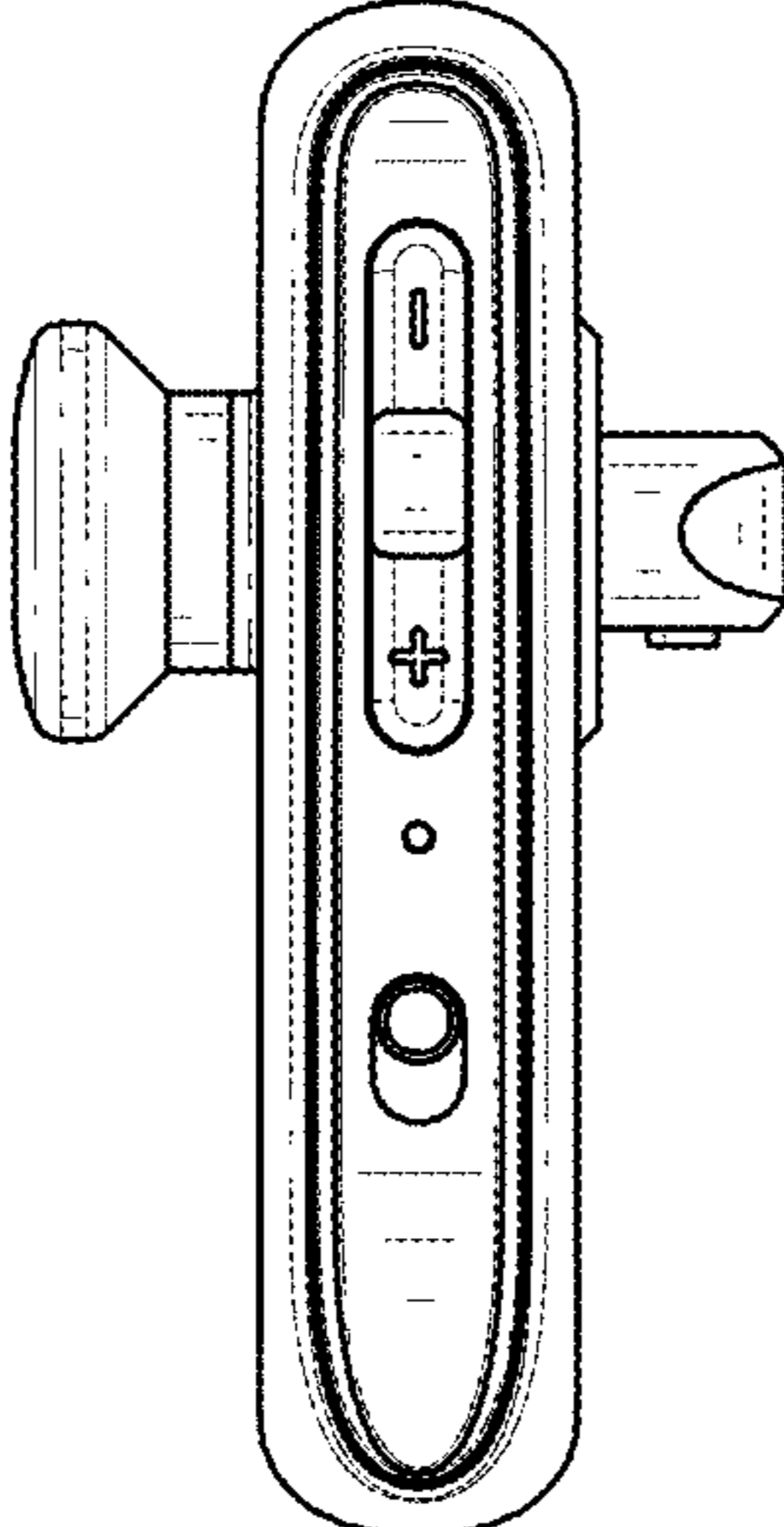


FIG. 7

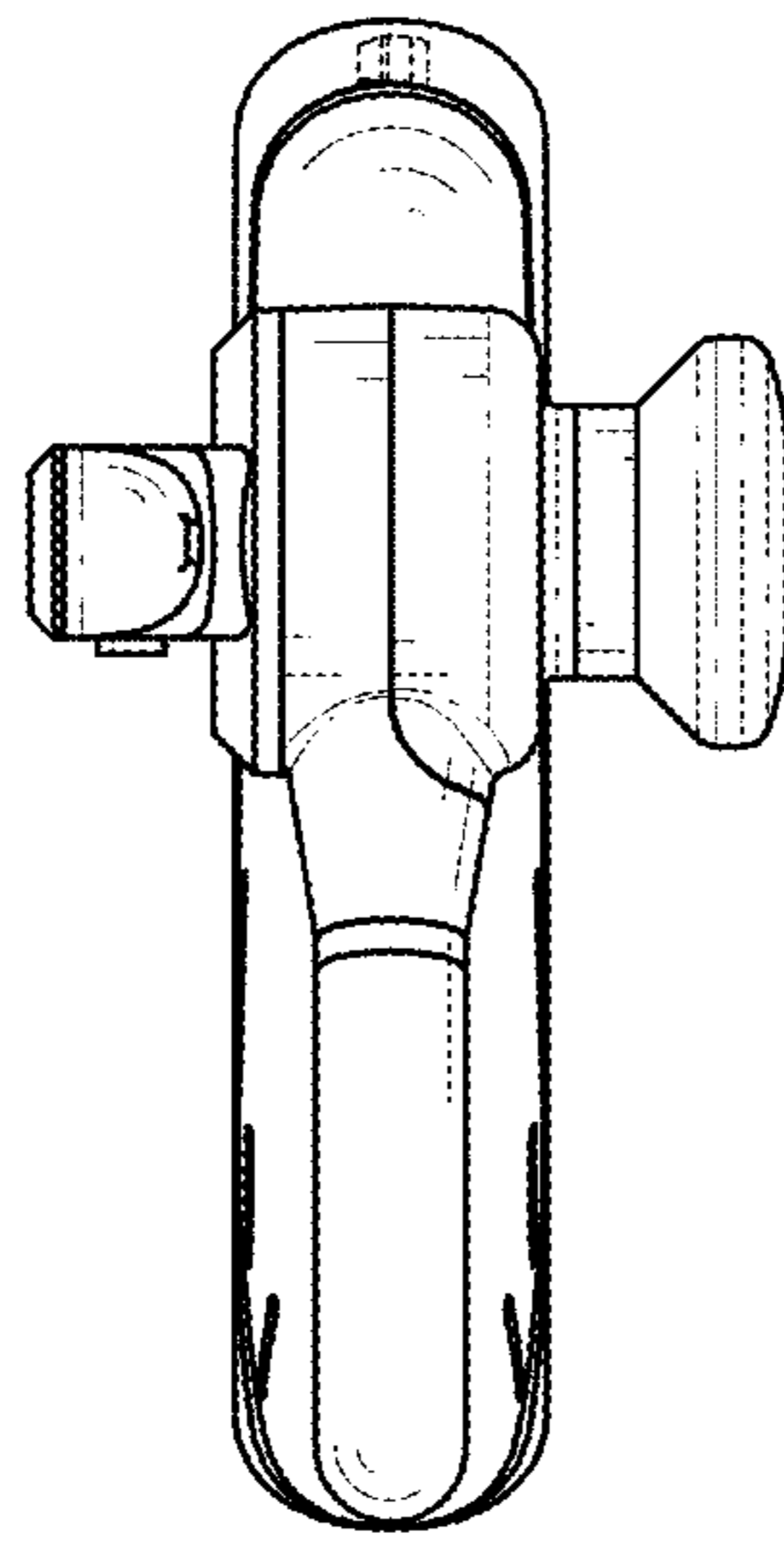


FIG. 8