



US00D872706S

(12) **United States Design Patent**
Takubo et al.

(10) **Patent No.:** **US D872,706 S**
(45) **Date of Patent:** **** Jan. 14, 2020**

- (54) **HEADPHONE**
- (71) Applicant: **Audio-Technica Corporation**, Tokyo (JP)
- (72) Inventors: **Yosuke Takubo**, Kanagawa (JP);
Shohei Araki, Kanagawa (JP)
- (73) Assignee: **AUDIO-TECHNICA CORPORATION**, Tokyo (JP)
- (**) Term: **15 Years**
- (21) Appl. No.: **29/657,002**
- (22) Filed: **Jul. 18, 2018**
- (30) **Foreign Application Priority Data**
Jan. 22, 2018 (JP) 2018-001074
- (51) **LOC (12) Cl.** **14-01**
- (52) **U.S. Cl.**
USPC **D14/205**
- (58) **Field of Classification Search**
USPC D14/205, 223; D29/112; 2/209;
181/129, 130, 135; 379/430, 431;
381/380, 381, 374; 455/90.3, 575.1,
455/569.1
CPC H04R 25/00; H04R 25/02; H04R 1/1066;
H04R 1/1016; H04R 5/033; H04R 5/0335
See application file for complete search history.

- 5,406,037 A * 4/1995 Nageno H04R 5/0335
181/129
- D508,908 S * 8/2005 Chueh D14/205
- D534,155 S * 12/2006 Obata D14/205
- D540,301 S * 4/2007 Obata D14/205
- D552,077 S * 10/2007 Brunner D14/205
- D573,581 S * 7/2008 Gondo D14/205
- D592,640 S * 5/2009 Tkachuk D14/205
- D625,705 S * 10/2010 Oho D14/205
- D637,176 S * 5/2011 Brunner D14/205
- D642,554 S * 8/2011 Schaal D14/205
- 8,031,878 B2 * 10/2011 Gauger, Jr. H04R 1/1025
381/74

(Continued)

FOREIGN PATENT DOCUMENTS

- EM 005830833-0001 * 11/2018
- RU 00096957 * 1/2016

Primary Examiner — Paula Allen Greene
(74) *Attorney, Agent, or Firm* — W&C IP

(57) **CLAIM**

The ornamental design for a headphone, as shown and described.

DESCRIPTION

FIG. 1 is a front elevational view of a headphone;
 FIG. 2 is a rear elevational view of the headphone;
 FIG. 3 is a top plan view of the headphone;
 FIG. 4 is a bottom plan view of the headphone;
 FIG. 5 is a left side elevational view of the headphone;
 FIG. 6 is a right side elevational view of the headphone;
 FIG. 7 is a top side perspective view of the headphone;
 FIG. 8 is a bottom side perspective view of the headphone;
 and,
 FIG. 9 is a reference view showing a state of use of the headphone.
 Portions of the drawings shown in broken lines form no part of the claimed design.

1 Claim, 9 Drawing Sheets

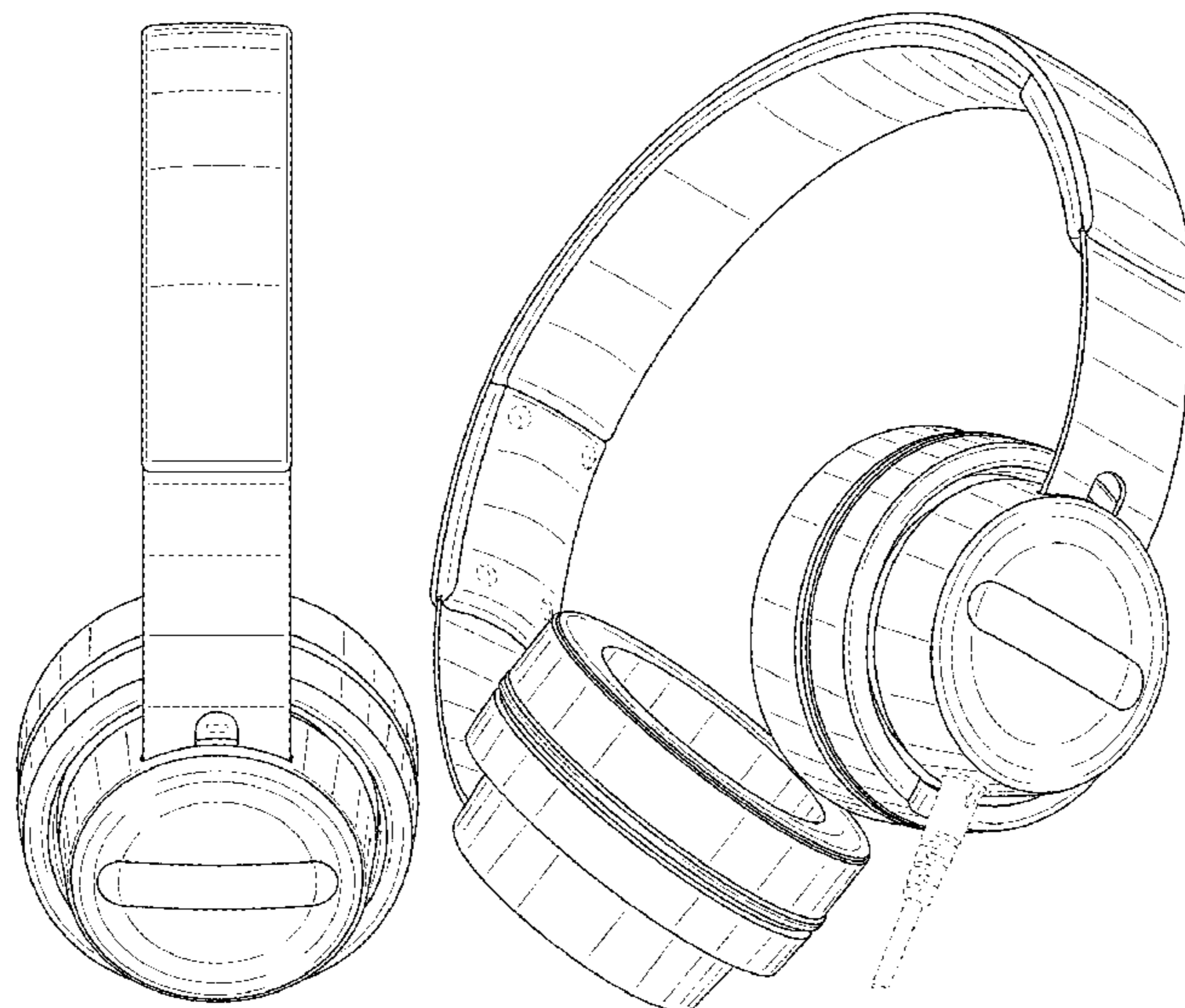


FIG. 1



FIG. 2

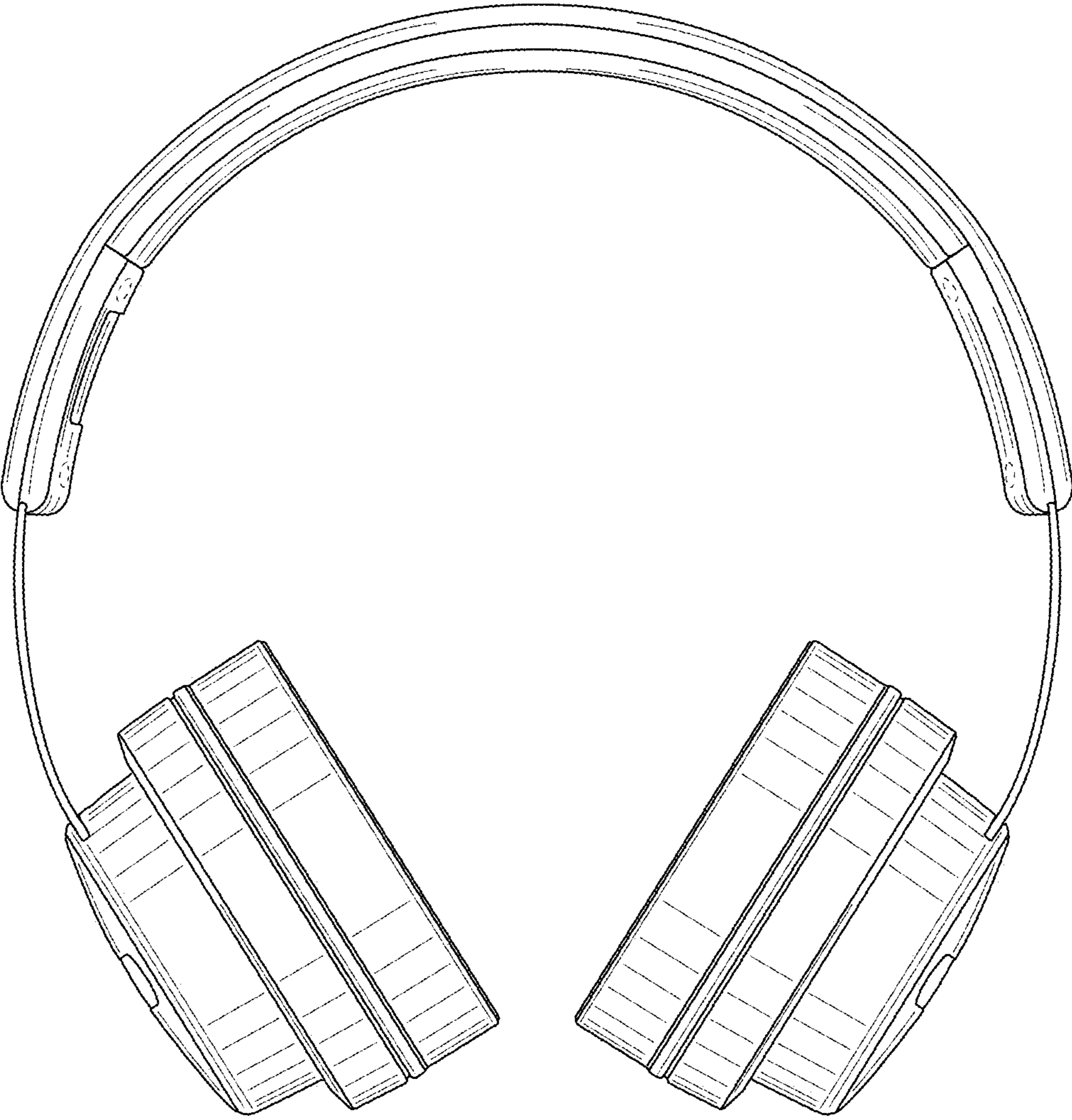


FIG. 3

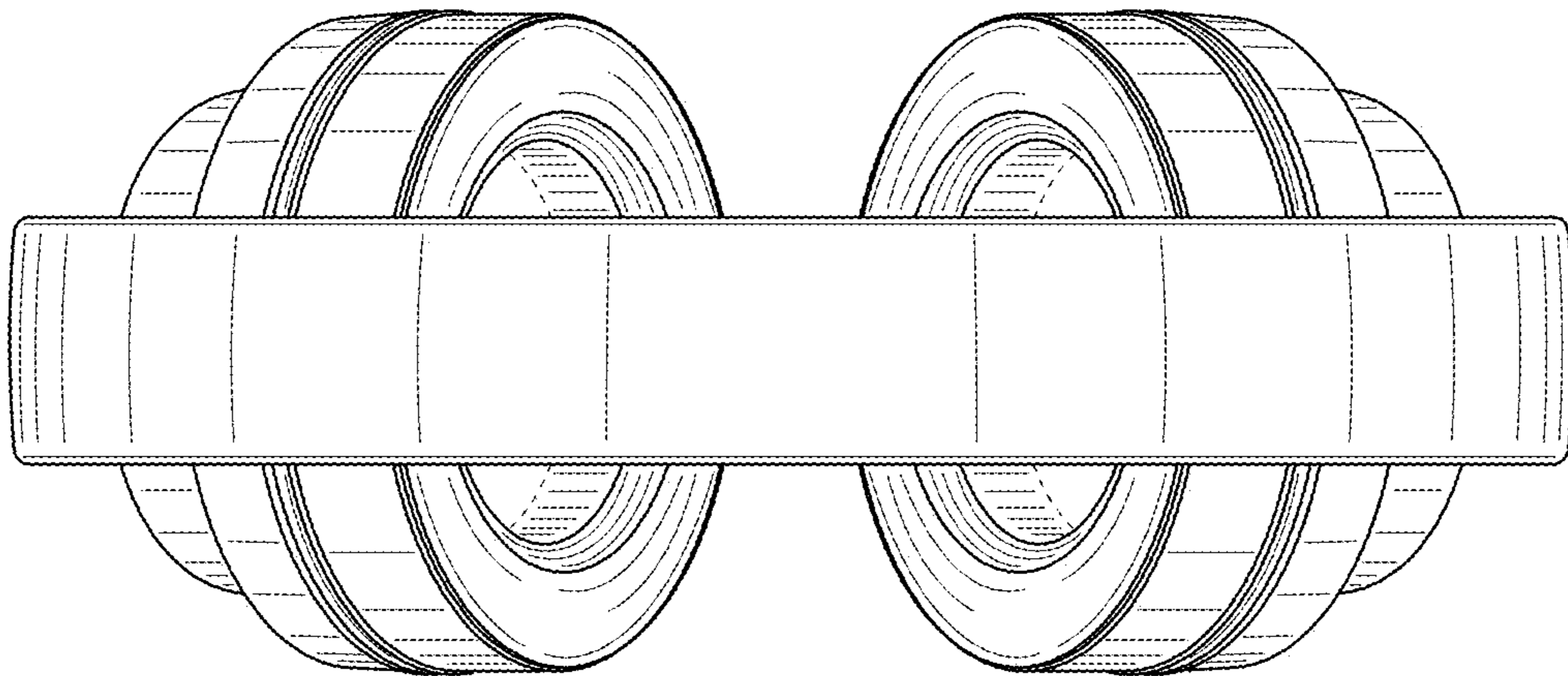


FIG. 4

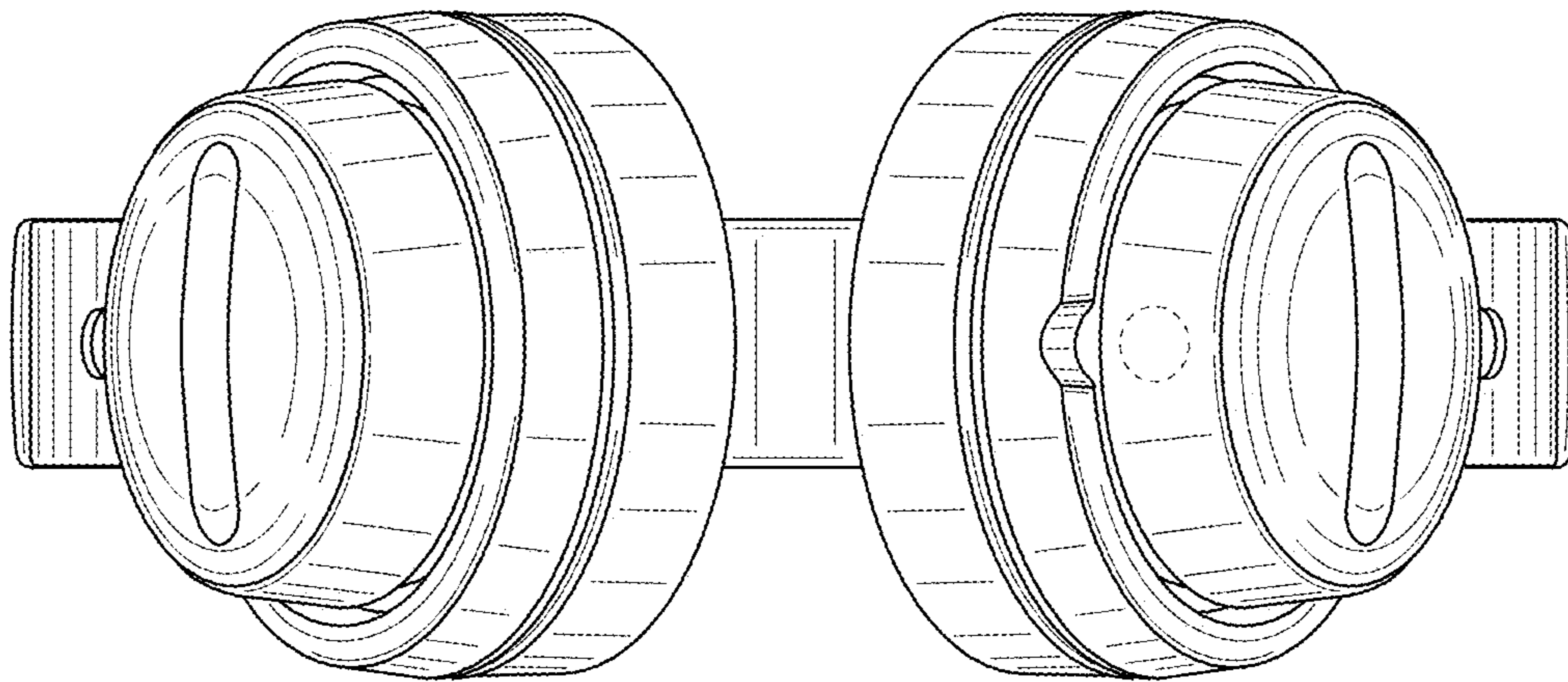


FIG. 5

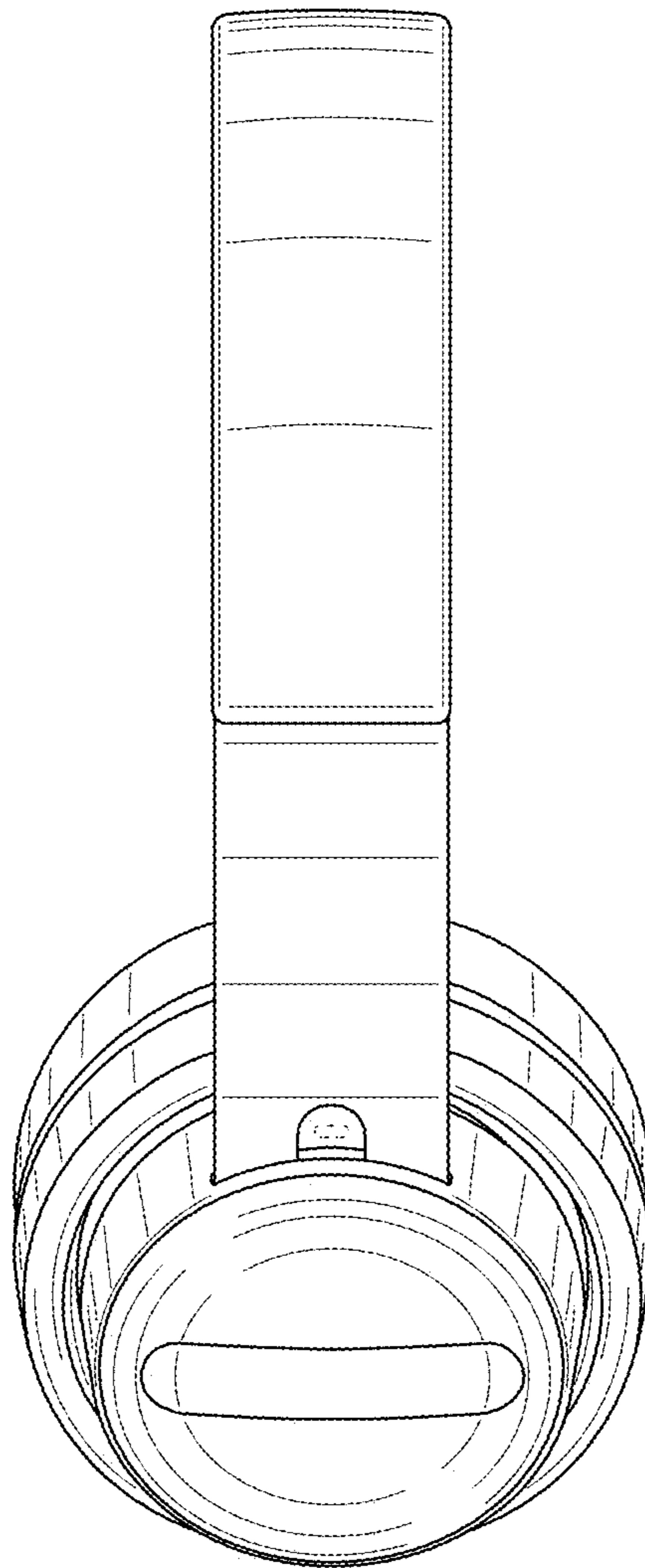


FIG. 6

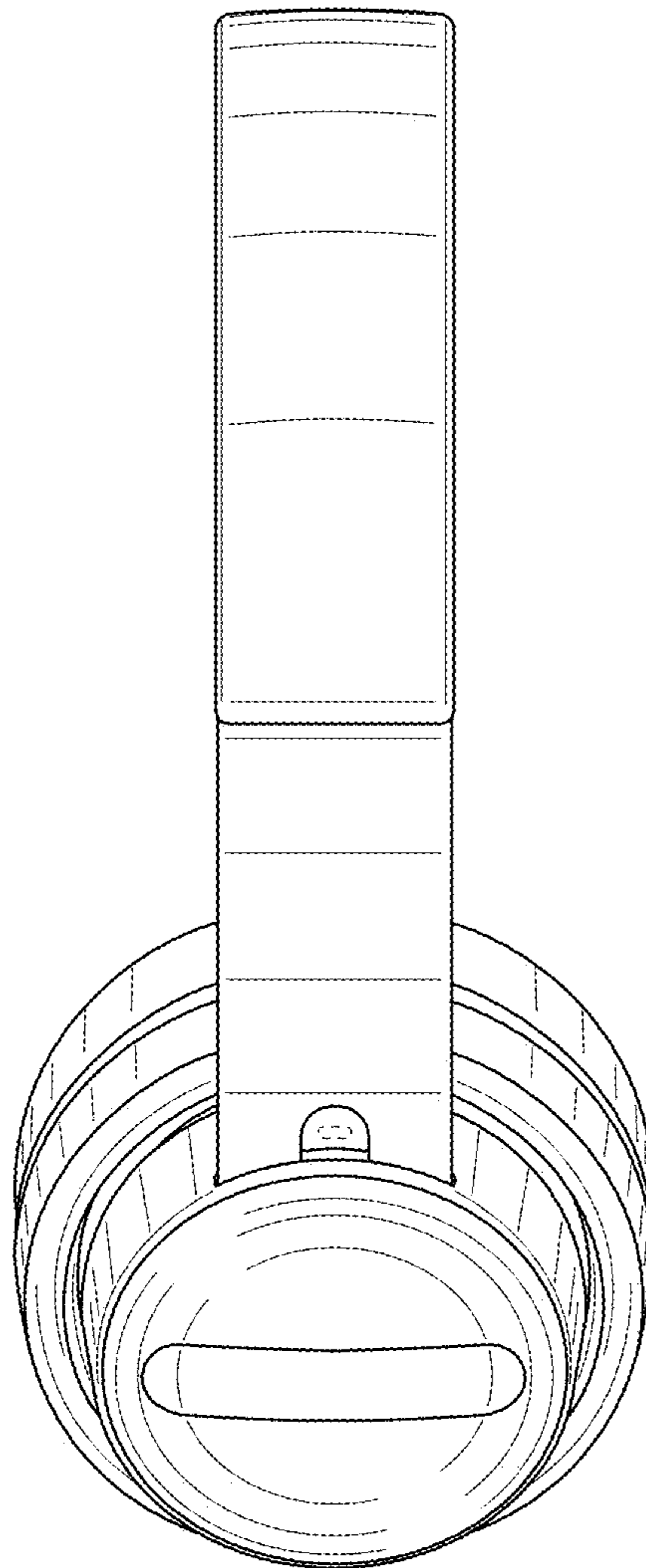


FIG. 7

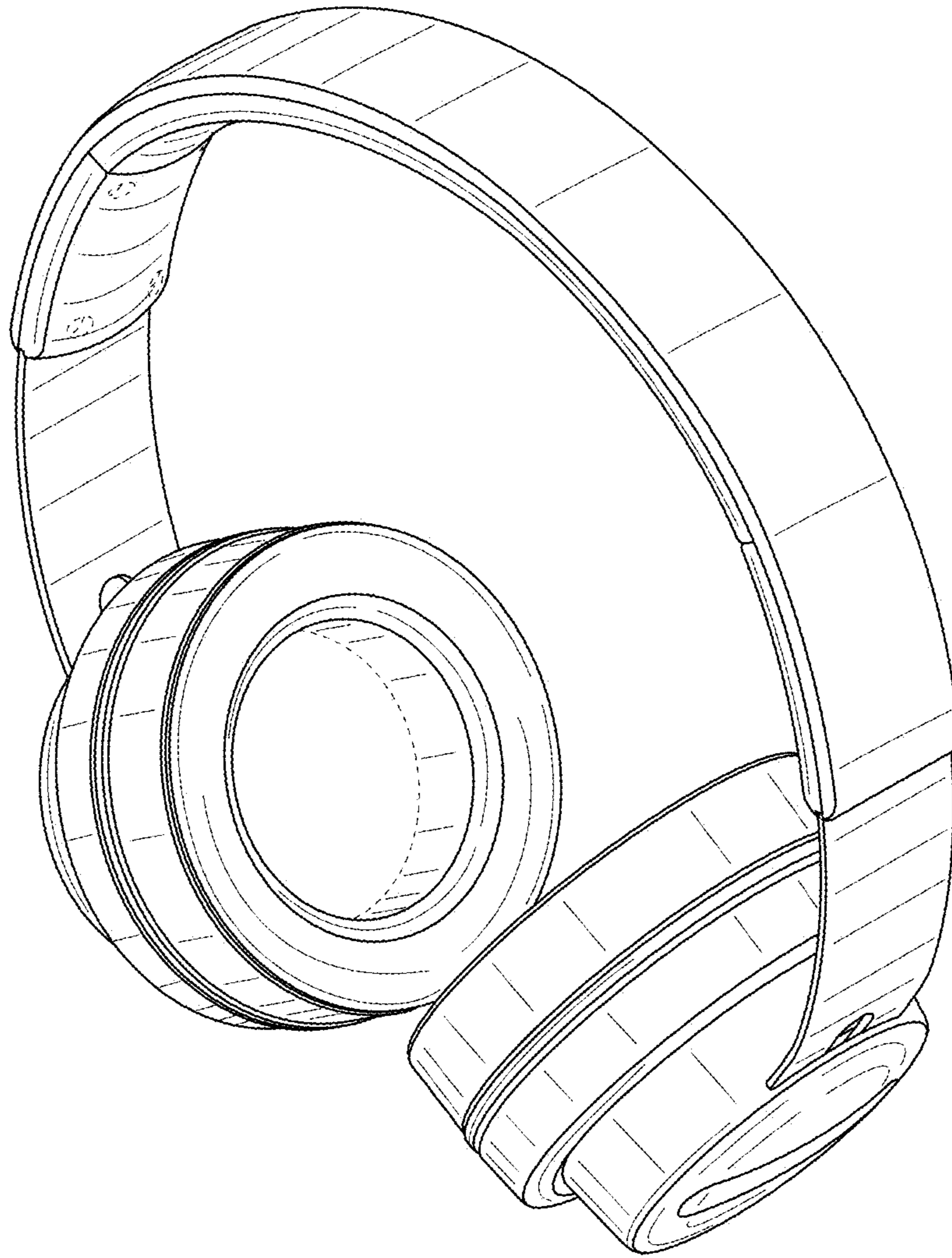


FIG. 8

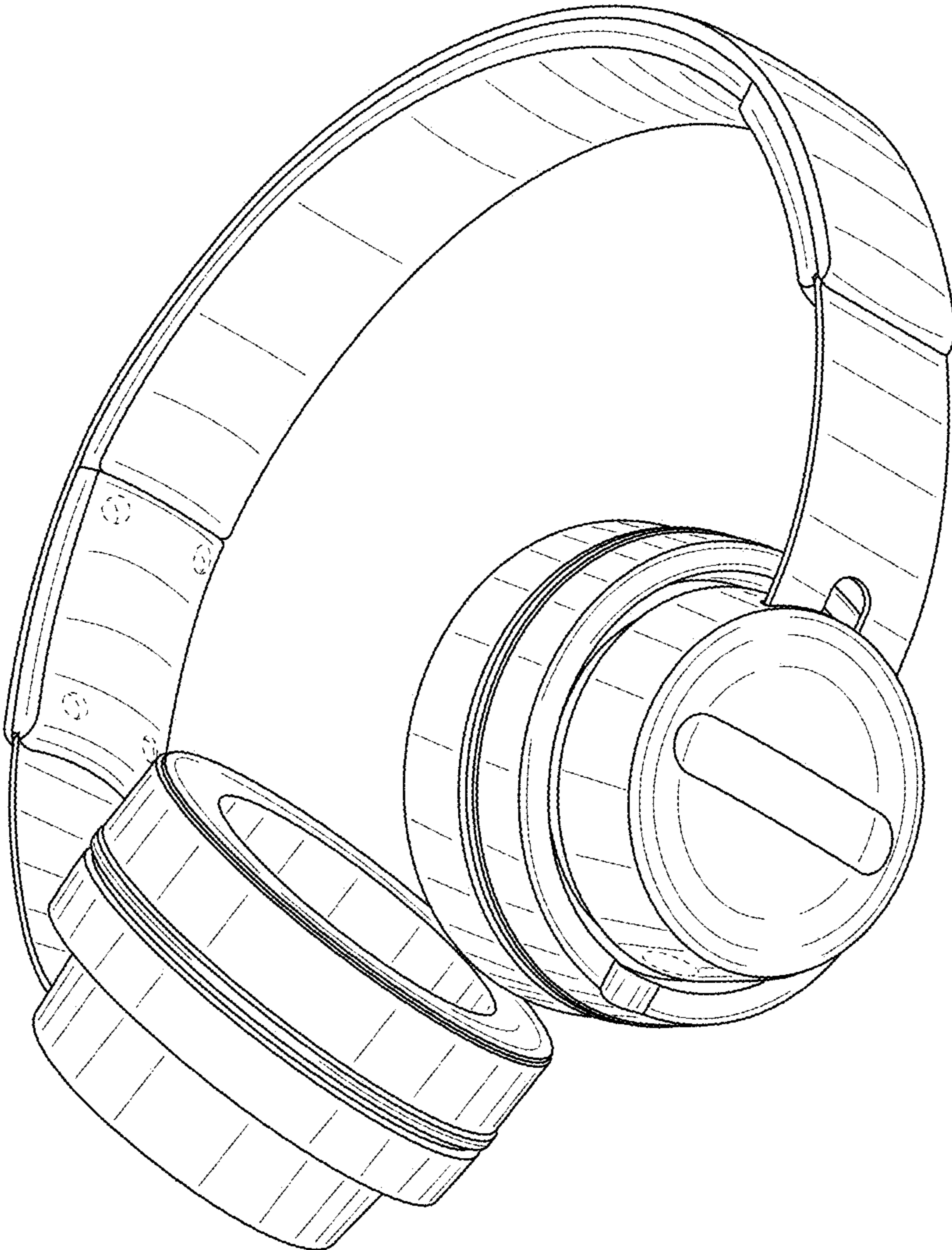


FIG. 9

