



US00D872705S

(12) **United States Design Patent** (10) **Patent No.:** **US D872,705 S**  
**Dong** (45) **Date of Patent:** **\*\* Jan. 14, 2020**

(54) **EARPHONE**  
(71) Applicant: **Cheng Dong**, Guangdong (CN)  
(72) Inventor: **Cheng Dong**, Guangdong (CN)  
(73) Assignee: **Shengyuan Science and Technology (Shenzhen) Co., Ltd.**, Shenzhen, Guangdong (CN)  
(\*\*) Term: **15 Years**  
(21) Appl. No.: **29/617,627**  
(22) Filed: **Sep. 15, 2017**  
(51) **LOC (12) Cl.** ..... **14-01**  
(52) **U.S. Cl.**  
USPC ..... **D14/205; D14/223**  
(58) **Field of Classification Search**  
USPC .... D14/203.1, 204–206, 208–210, 212–217, D14/219, 221–225, 249, 372, 433, 138 R, D14/182, 188, 191–194, 172, 496; D29/112; D28/41; D2/875; D24/173–175, 106; D3/294, 273; D13/118, 108, 119  
CPC ..... H04R 25/02; H04R 25/00; H04R 1/10; H04R 1/1016; H04R 1/105; H04R 1/1083; H04R 1/02; H04R 1/1041; H04R 1/28; H04R 5/033; H04R 2420/07; H04R 2430/00; H04R 2430/01  
See application file for complete search history.

D567,212 S \* 4/2008 Prince ..... D14/204  
D569,841 S \* 5/2008 Chung ..... D14/205  
D578,507 S \* 10/2008 Ando ..... D14/205  
D590,371 S \* 4/2009 Leinvuo ..... D14/205  
D593,548 S \* 6/2009 von Meiss ..... D14/206  
D595,690 S \* 7/2009 Fullerton ..... D14/205  
D605,628 S \* 12/2009 Ando ..... D14/205  
D624,902 S \* 10/2010 Kolton ..... D14/205  
D636,756 S \* 4/2011 Fahrendorff ..... D14/205  
D643,414 S \* 8/2011 Lee ..... D14/205  
D658,157 S \* 4/2012 McManigal ..... D14/205  
D659,673 S \* 5/2012 Fahrendorff ..... D14/205

(Continued)

FOREIGN PATENT DOCUMENTS

CN 303773544 \* 8/2016  
CN 303773817 \* 8/2016

(Continued)

*Primary Examiner* — T Chase Nelson  
*Assistant Examiner* — Mary Claire Ramirez

(57) **CLAIM**

I claim the ornamental design for an earphone, as shown and described.

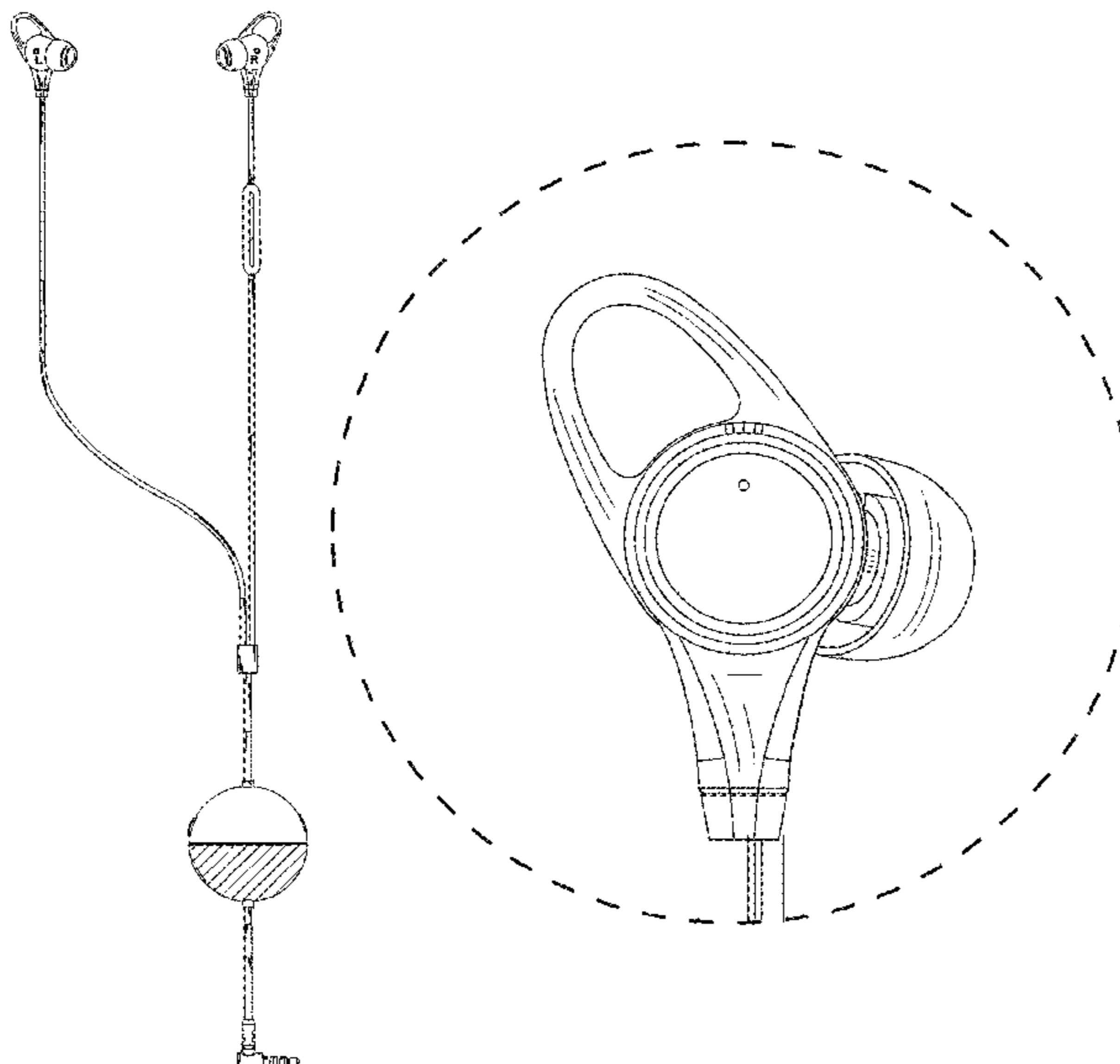
**DESCRIPTION**

FIG. 1 is a front elevational view of an earphone showing my new design;  
FIG. 2 is a rear elevational view thereof;  
FIG. 3 is a left side elevational view thereof;  
FIG. 4 is a right side elevational view thereof;  
FIG. 5 is a top plan view thereof; and  
FIG. 6 is a bottom plan view thereof.  
FIG. 7 is an enlarged view of the circled portion of the earphone shown in FIG. 4; and,  
FIG. 8 is an enlarged view of the circled portion of the earphone shown in FIG. 2.  
The broken lines in the drawings depict portions of the earphone that form no part of the claimed design.

**1 Claim, 8 Drawing Sheets**

(56) **References Cited**  
U.S. PATENT DOCUMENTS

D308,520 S \* 6/1990 Matsushima ..... D14/163  
D332,098 S \* 12/1992 Riley ..... D14/225  
D360,208 S \* 7/1995 Richards ..... D14/204  
D465,472 S \* 11/2002 Bosch ..... D14/206  
D514,095 S \* 1/2006 Wilson ..... D14/223  
D529,901 S \* 10/2006 Ohta ..... D14/223  
D546,321 S \* 7/2007 Kim ..... D14/223



(56)

References Cited

U.S. PATENT DOCUMENTS

D677,240 S \* 3/2013 Coulter ..... D14/205  
 D681,001 S \* 4/2013 Murchison ..... D14/205  
 D682,808 S \* 5/2013 Fletcher ..... D14/205  
 D682,809 S \* 5/2013 Fletcher ..... D14/205  
 D684,950 S \* 6/2013 Schaal ..... D14/205  
 D684,953 S \* 6/2013 Schaal ..... D14/205  
 D692,409 S \* 10/2013 Takeno ..... D14/205  
 D712,371 S \* 9/2014 Henning ..... D14/205  
 D714,765 S \* 10/2014 Goransson ..... D14/223  
 D727,871 S \* 4/2015 Orbach ..... D14/205  
 D733,889 S \* 7/2015 Brandis ..... D24/174  
 D761,769 S \* 7/2016 Harper ..... D14/223  
 D774,490 S \* 12/2016 Lin ..... D14/205  
 D776,635 S \* 1/2017 Chang ..... D14/205  
 D777,139 S \* 1/2017 Fletcher ..... D14/205  
 D782,442 S \* 3/2017 Chen ..... D14/205  
 D782,997 S \* 4/2017 Shin ..... D14/205  
 D785,594 S \* 5/2017 Zaihui ..... D14/205  
 D814,411 S \* 4/2018 Lahiri ..... D13/108  
 D816,059 S \* 4/2018 Liu ..... D14/205  
 D817,301 S \* 5/2018 Aoyagi ..... D14/205

D820,810 S \* 6/2018 Levine ..... D14/205  
 D822,636 S \* 7/2018 Liu ..... D14/205  
 D829,166 S \* 9/2018 Lahiri ..... D13/108  
 10,129,635 B1 \* 11/2018 Zhu ..... H01Q 9/42  
 D837,146 S \* 1/2019 Kong ..... D13/108  
 D839,850 S \* 2/2019 Mei ..... D14/205  
 D840,372 S \* 2/2019 Carr ..... D14/205  
 D844,586 S \* 4/2019 Sweet ..... D14/205  
 D845,926 S \* 4/2019 Aoyagi ..... D14/205  
 D847,780 S \* 5/2019 Brunner ..... H04R 25/00  
 D849,714 S \* 5/2019 Shin ..... D14/205  
 D850,416 S \* 6/2019 Hu ..... D14/223  
 D851,626 S \* 6/2019 Hsieh ..... D14/205  
 D859,359 S \* 9/2019 Min ..... D14/205  
 2016/0316290 A1 \* 10/2016 Shen ..... H04R 1/1041

FOREIGN PATENT DOCUMENTS

CN 304088639 \* 3/2017  
 CN 304088711 \* 3/2017  
 CN 304145383 \* 5/2017  
 CN 304175531 \* 6/2017

\* cited by examiner

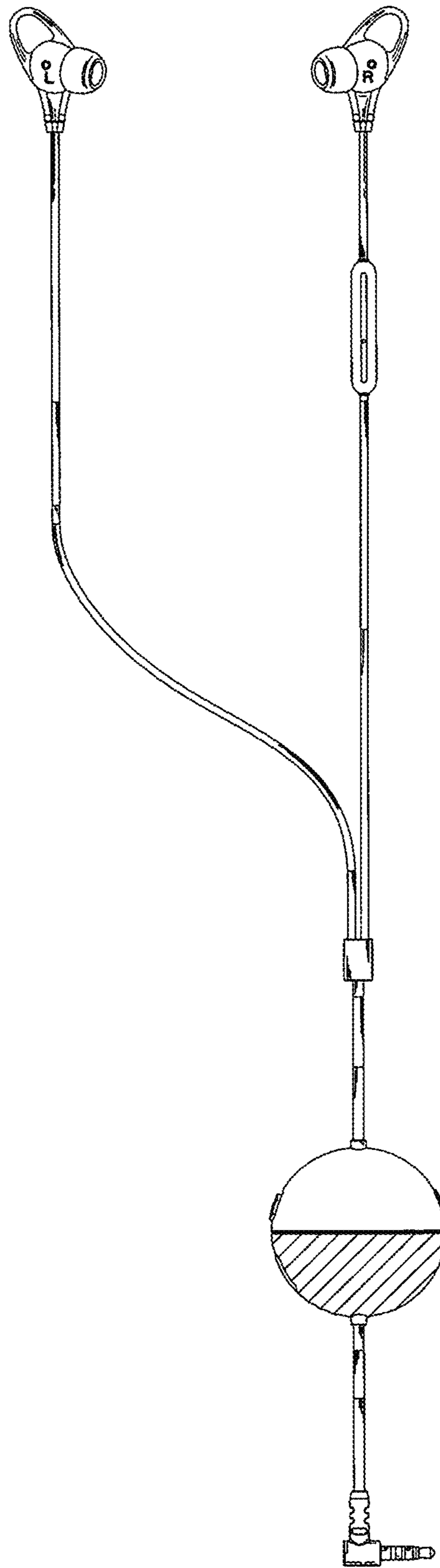


FIG. 1

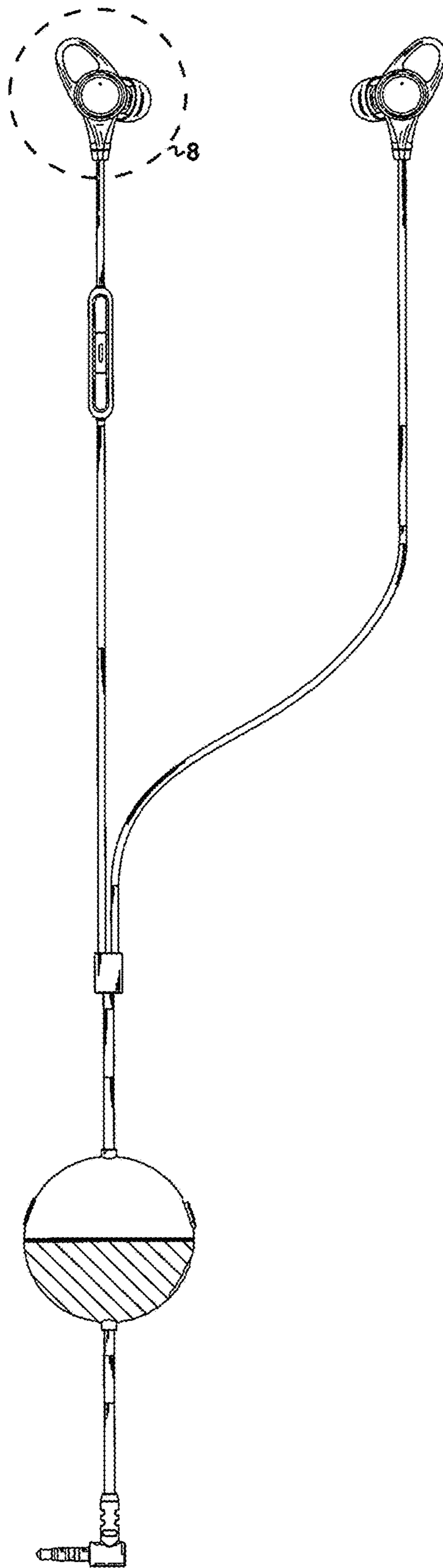


FIG. 2

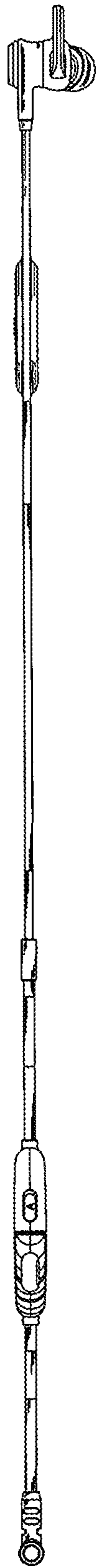


FIG. 3

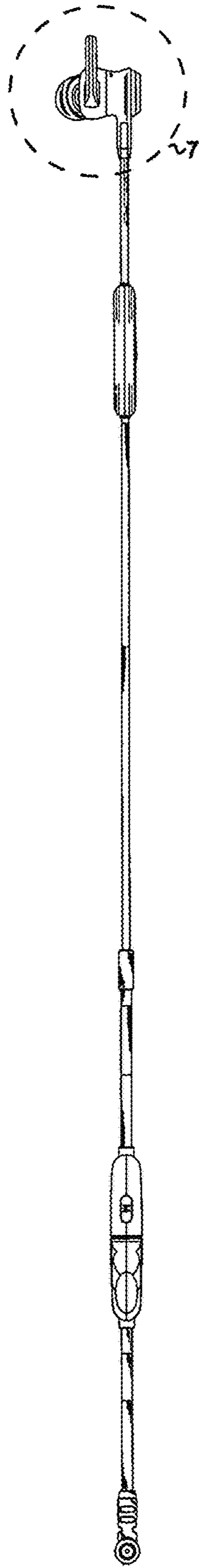


FIG. 4

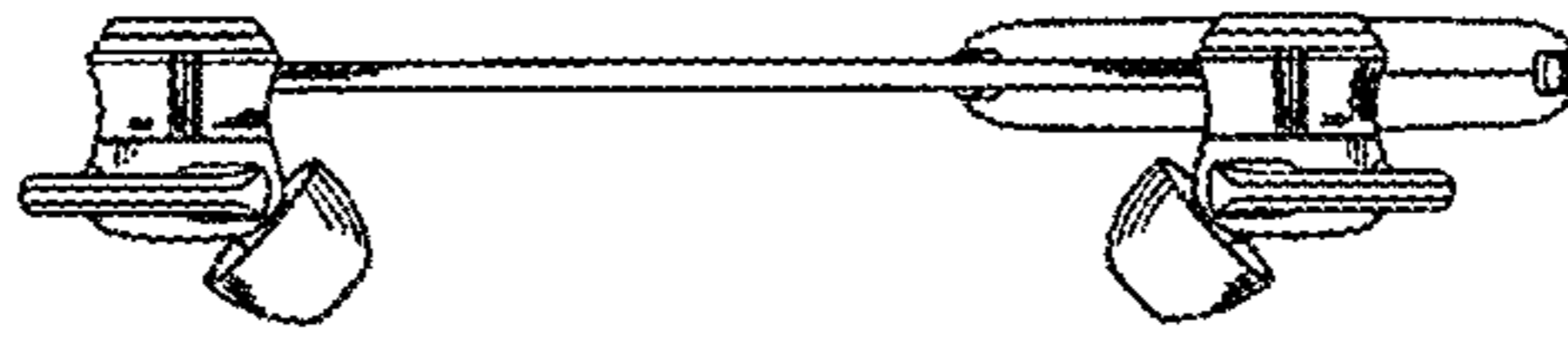


FIG. 5

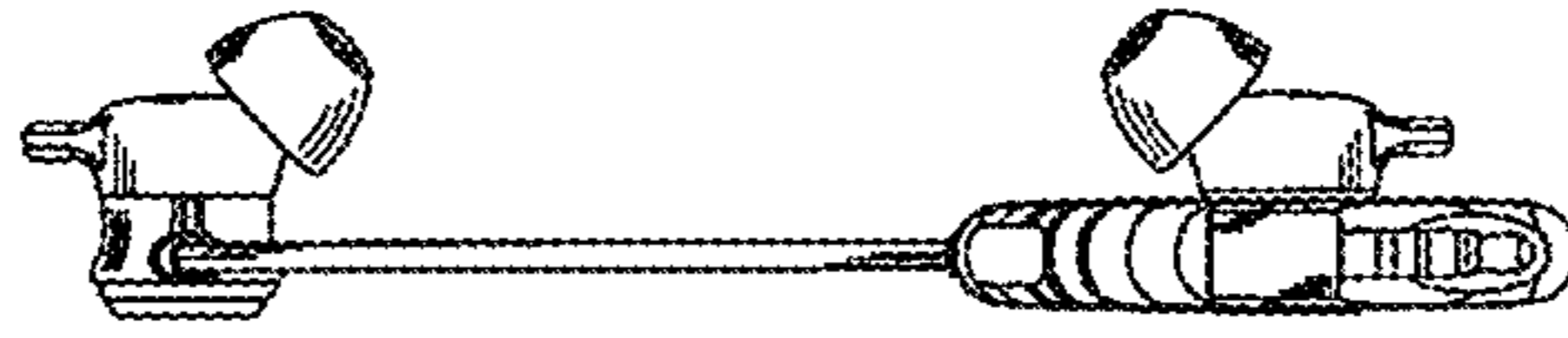


FIG. 6



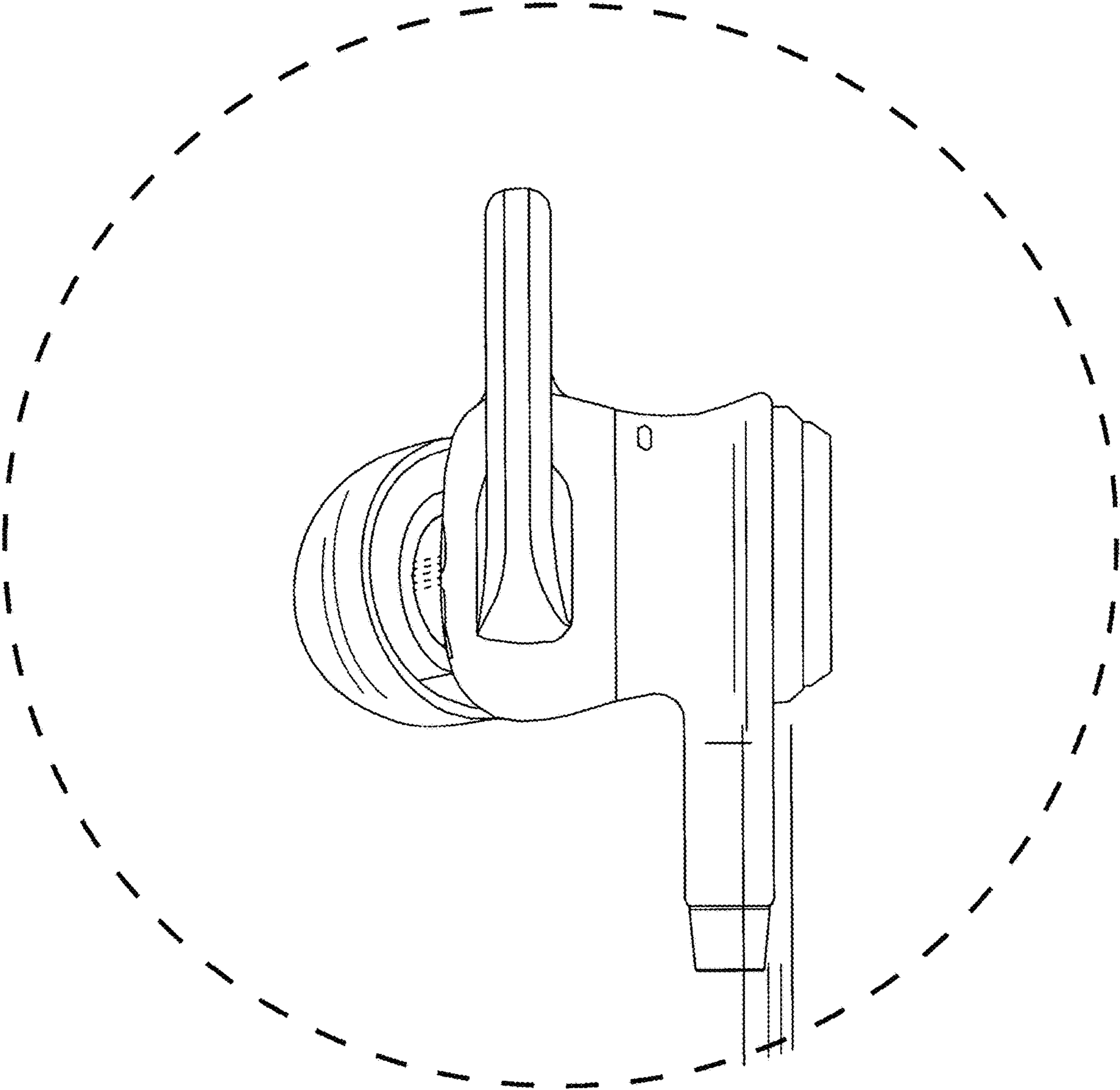


FIG. 7

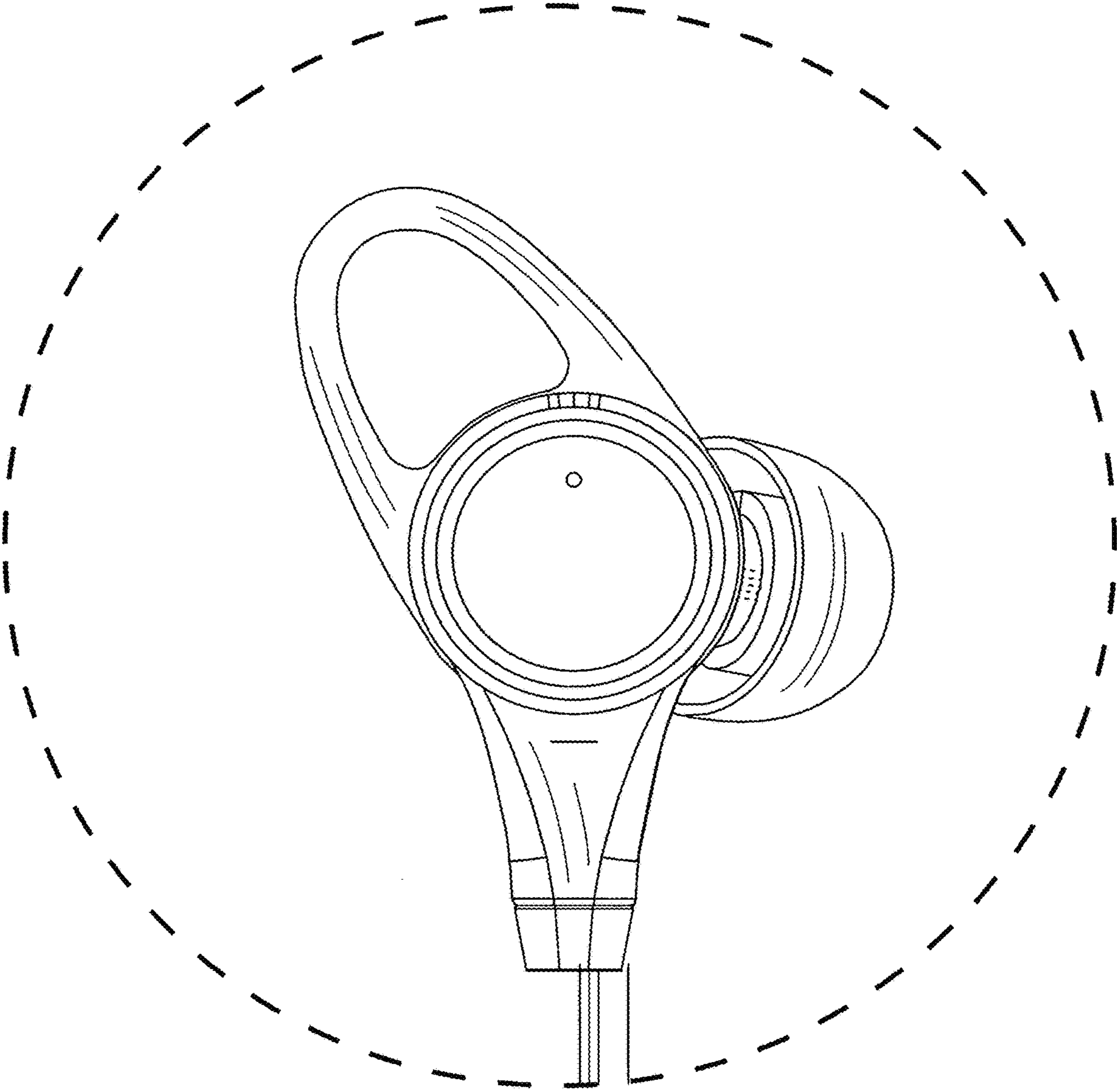


FIG. 8