



US00D872700S

(12) **United States Design Patent** (10) **Patent No.:** **US D872,700 S**
Karlsson (45) **Date of Patent:** **** Jan. 14, 2020**

(54) **FRAME FOR SEALING CABLES** 6,429,371 B2 * 8/2002 Schiedegger H02G 3/123
174/17 CT
(71) Applicant: **Roxtec AB**, Karlskrona (SE) D544,836 S * 6/2007 Sichner D13/123
D629,363 S * 12/2010 Woodruff D13/147
(72) Inventor: **Andreas Karlsson**, Karlskrona (SE) D629,758 S * 12/2010 Woodruff D13/147
8,092,409 B2 * 1/2012 Mros A61M 39/12
285/124.2
(73) Assignee: **Roxtec AB**, Karlskrona (SE) D682,213 S * 5/2013 Byrne D13/139.4
D685,329 S * 7/2013 Byrne D13/139.4
(**) Term: **15 Years** D693,763 S * 11/2013 Ray D13/108
D709,832 S * 7/2014 Byrne D13/139.4
(21) Appl. No.: **29/606,149** 9,246,317 B2 * 1/2016 Byrne H02G 3/105
D781,240 S * 3/2017 Karlsson D13/155
(22) Filed: **Jun. 1, 2017** D782,422 S * 3/2017 Karlsson D13/155
D797,056 S * 9/2017 Landqvist D13/155

(30) **Foreign Application Priority Data**

Apr. 12, 2017 (EM) 003854579-0001
Apr. 12, 2017 (EM) 003854579-0002
Apr. 12, 2017 (EM) 003854579-0003
Apr. 12, 2017 (EM) 003854579-0004
Apr. 12, 2017 (EM) 003854579-0005
Apr. 12, 2017 (EM) 003854579-0006
Apr. 12, 2017 (EM) 003854579-0007
Apr. 12, 2017 (EM) 003854579-0008
Apr. 12, 2017 (EM) 003854579-0009

* cited by examiner

Primary Examiner — Derrick E Holland
Assistant Examiner — Jennifer O King
(74) *Attorney, Agent, or Firm* — Merchant & Gould P.C.

(51) **LOC (12) Cl.** **13-03**

(52) **U.S. Cl.**
USPC **D13/155**

(58) **Field of Classification Search**
USPC D13/110, 120–122, 123, 133, 137.1,
D13/139.1, 139.4, 152, 154, 155, 156,
D13/158, 162, 164, 173, 177, 184, 199;
174/67, 66
CPC H02G 3/14; H02G 3/081; H01R 13/447
See application file for complete search history.

(57) **CLAIM**

The ornamental design for a frame for sealing cables, as shown and described.

(56) **References Cited**

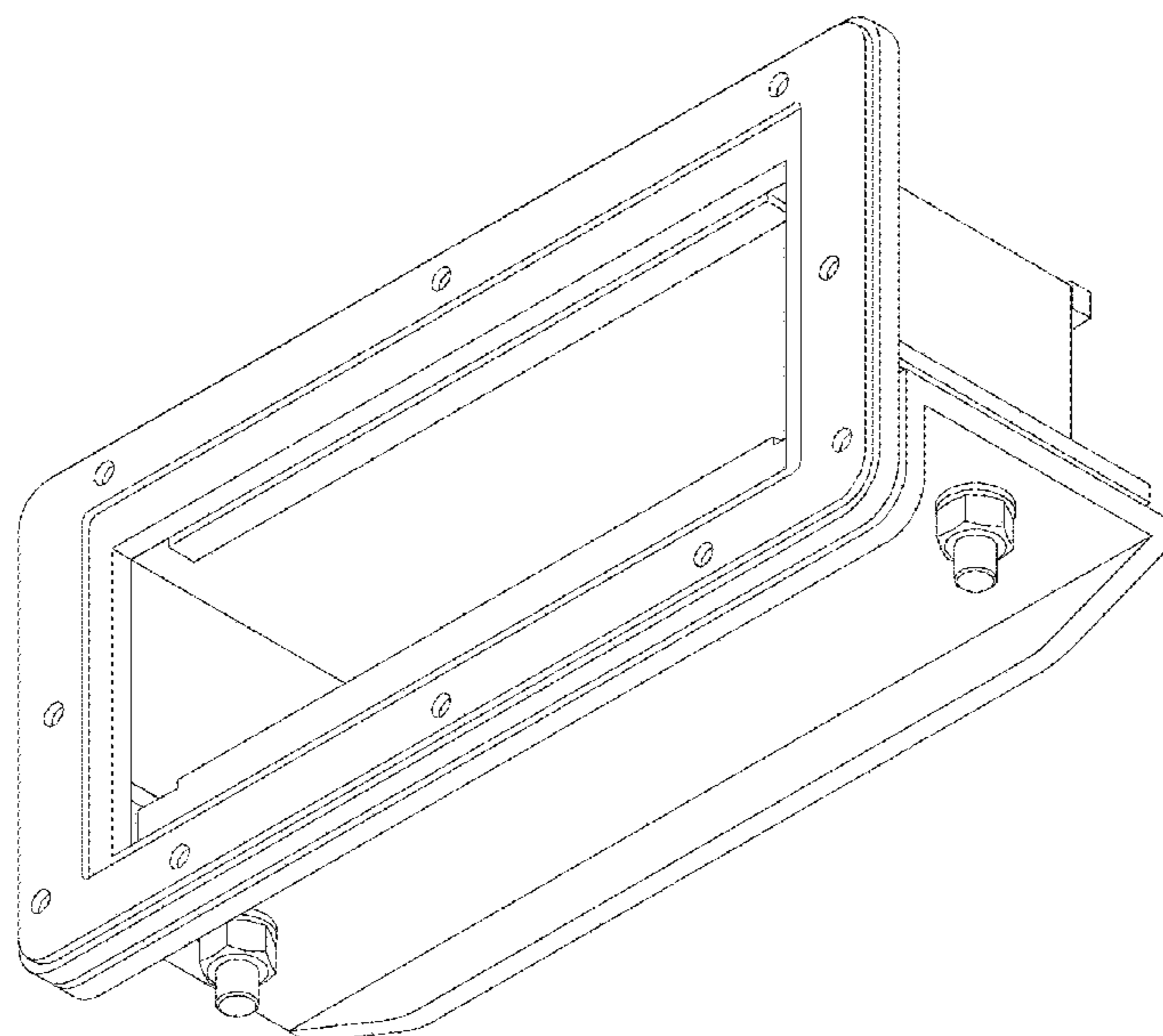
U.S. PATENT DOCUMENTS

D271,296 S * 11/1983 Jones D13/147
D396,695 S * 8/1998 Shen D13/147

DESCRIPTION

FIG. 1 is a front perspective view of a frame for sealing cables according to the principles of the present invention. FIG. 2 is a back perspective view thereof. FIG. 3 is a first side view thereof. FIG. 4 is a second side view thereof. FIG. 5 is a bottom view thereof. FIG. 6 is a top view thereof; and, FIG. 7 is a back view thereof.

1 Claim, 6 Drawing Sheets



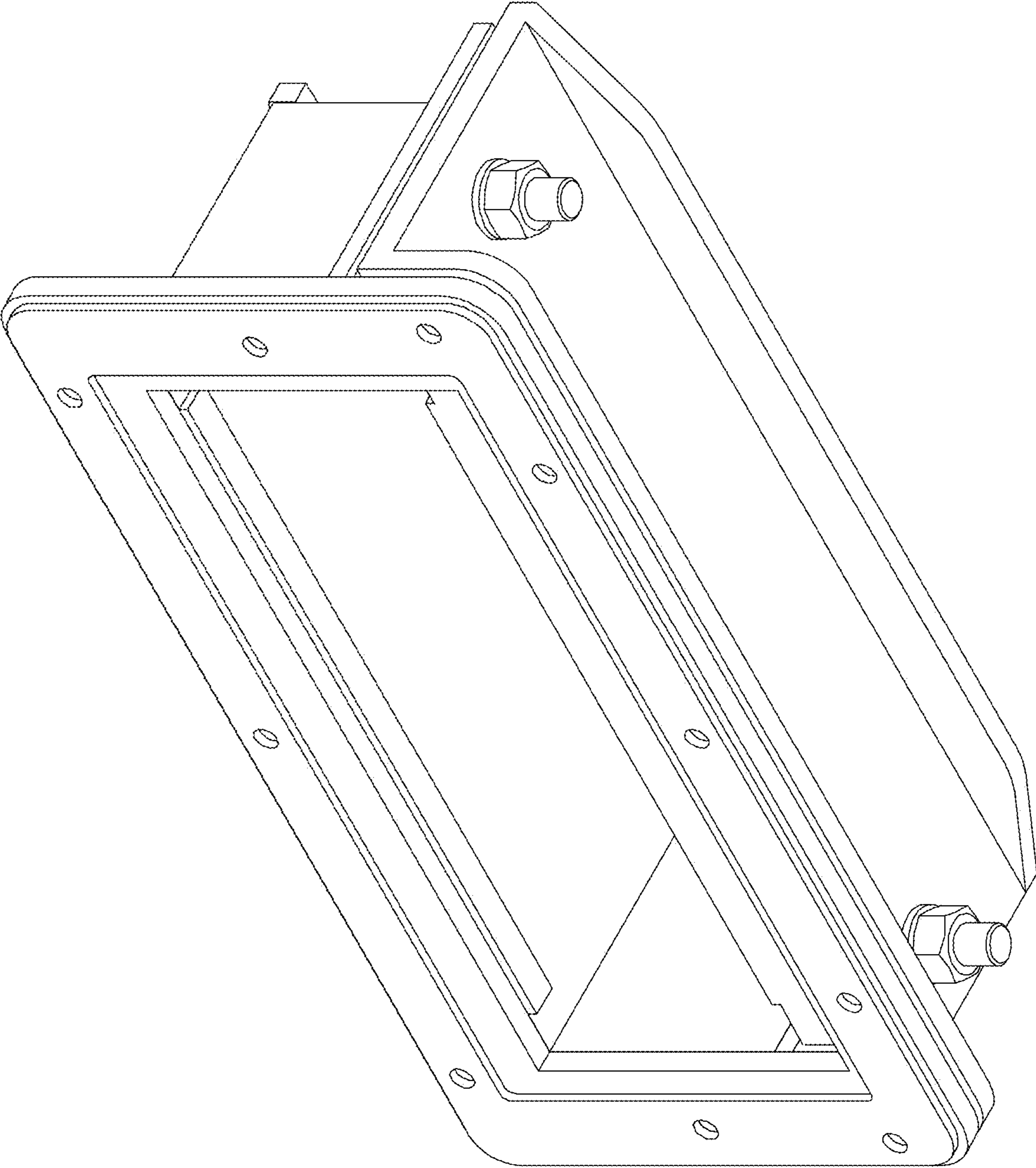


FIG. 1

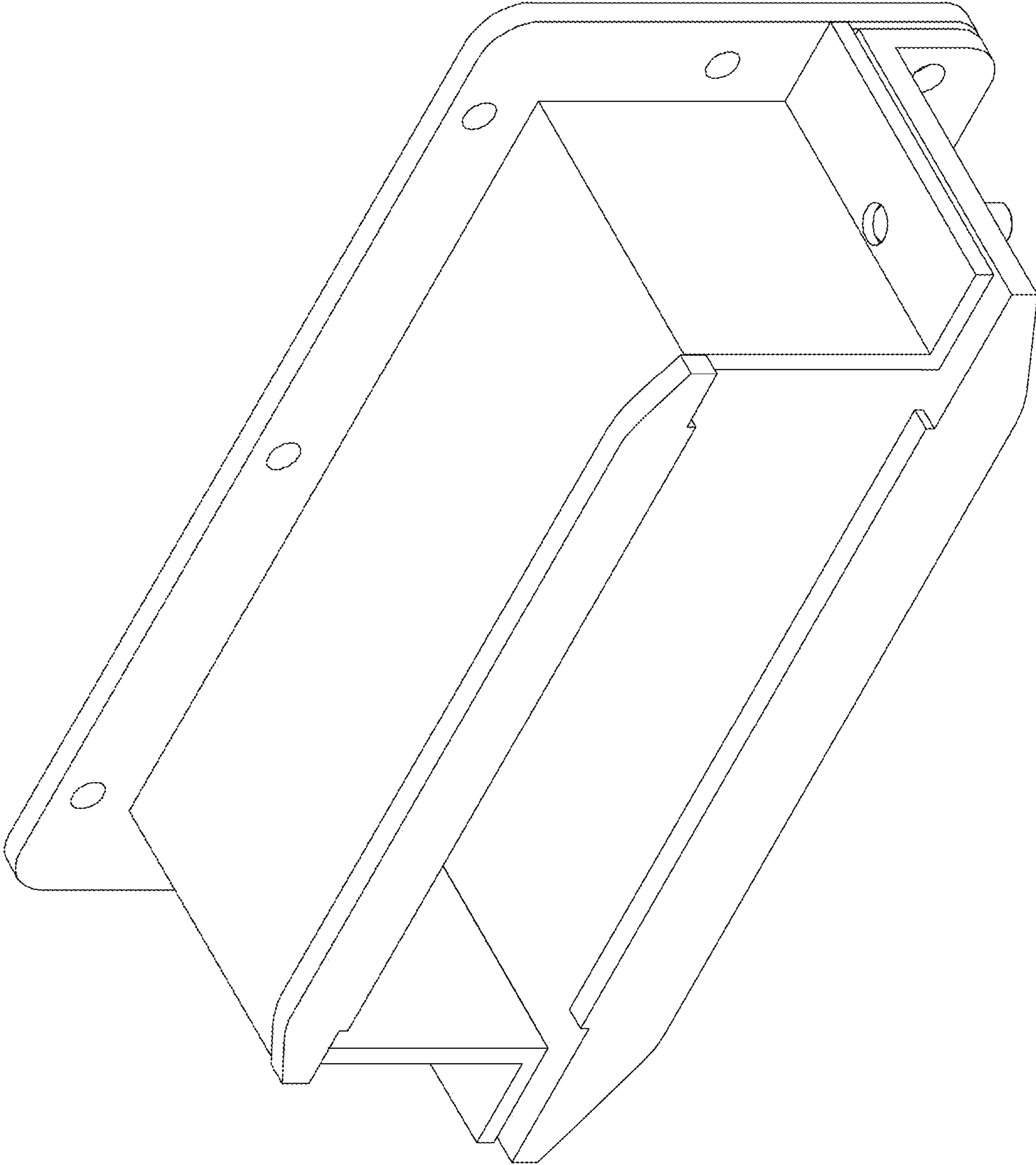


FIG. 2

FIG. 3

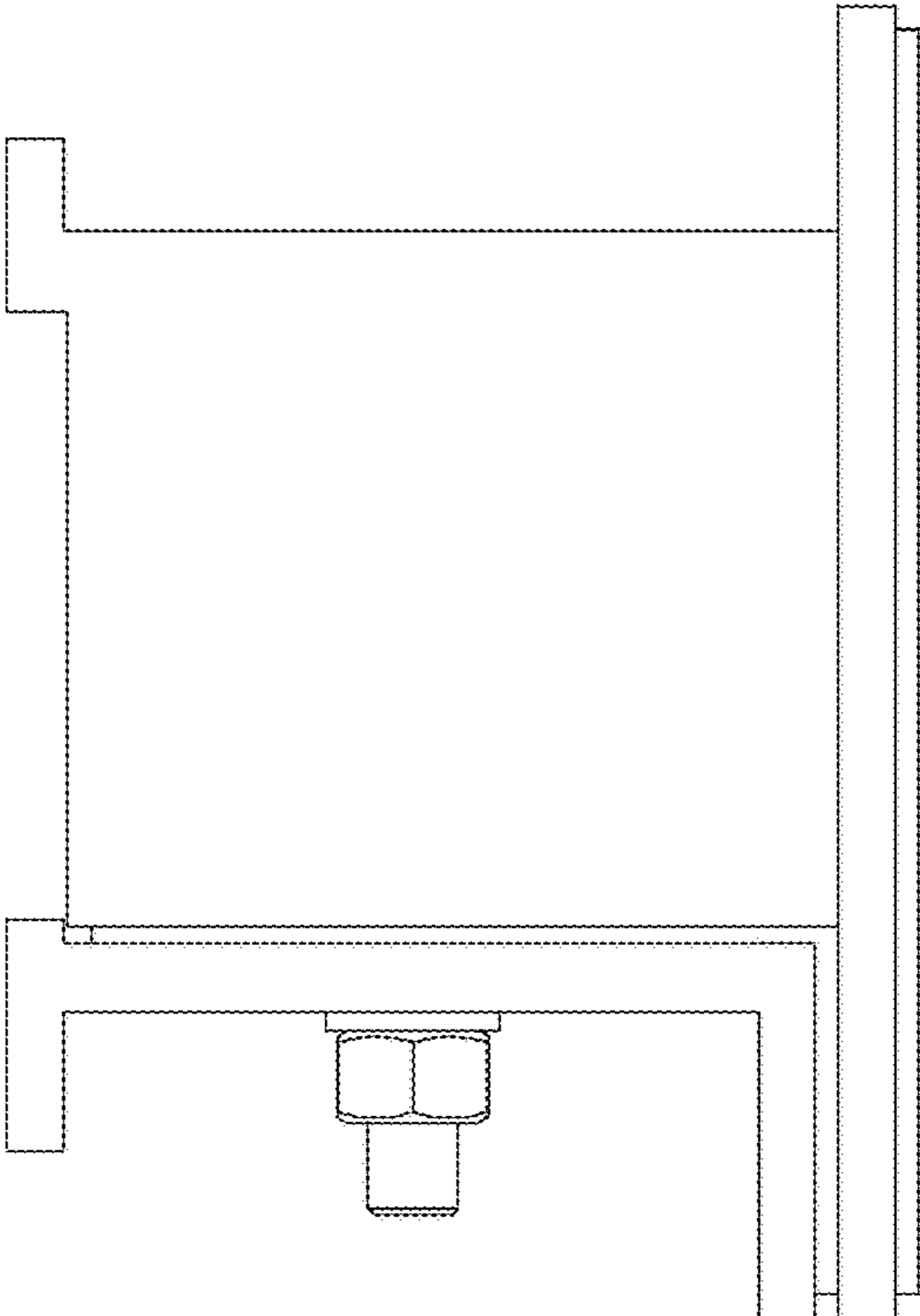


FIG. 4

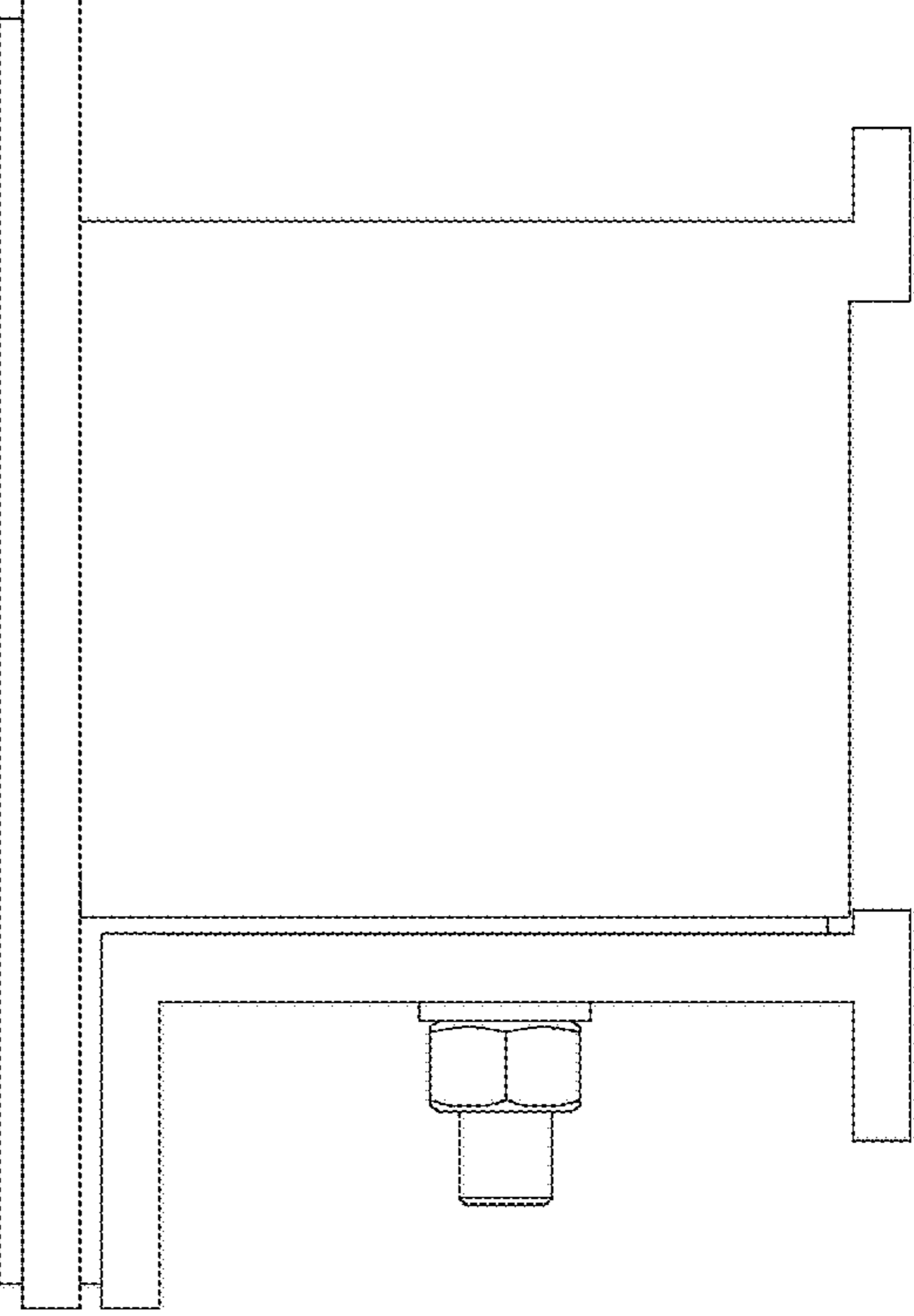
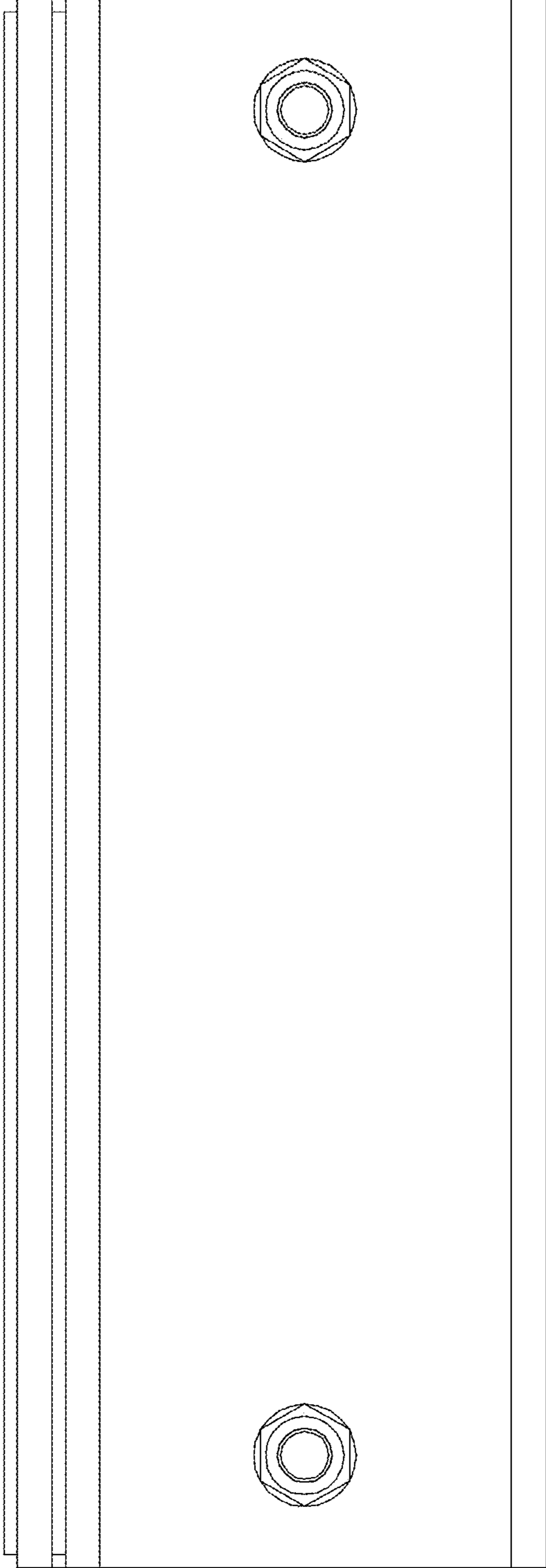


FIG. 5



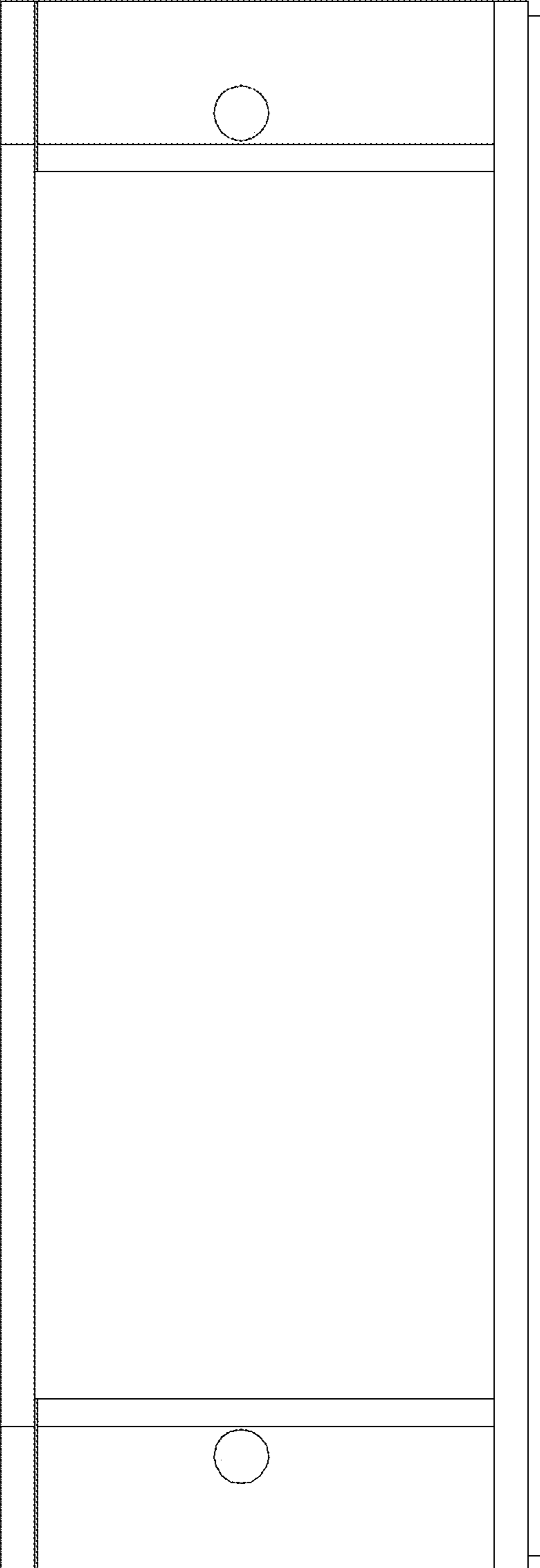


FIG. 6

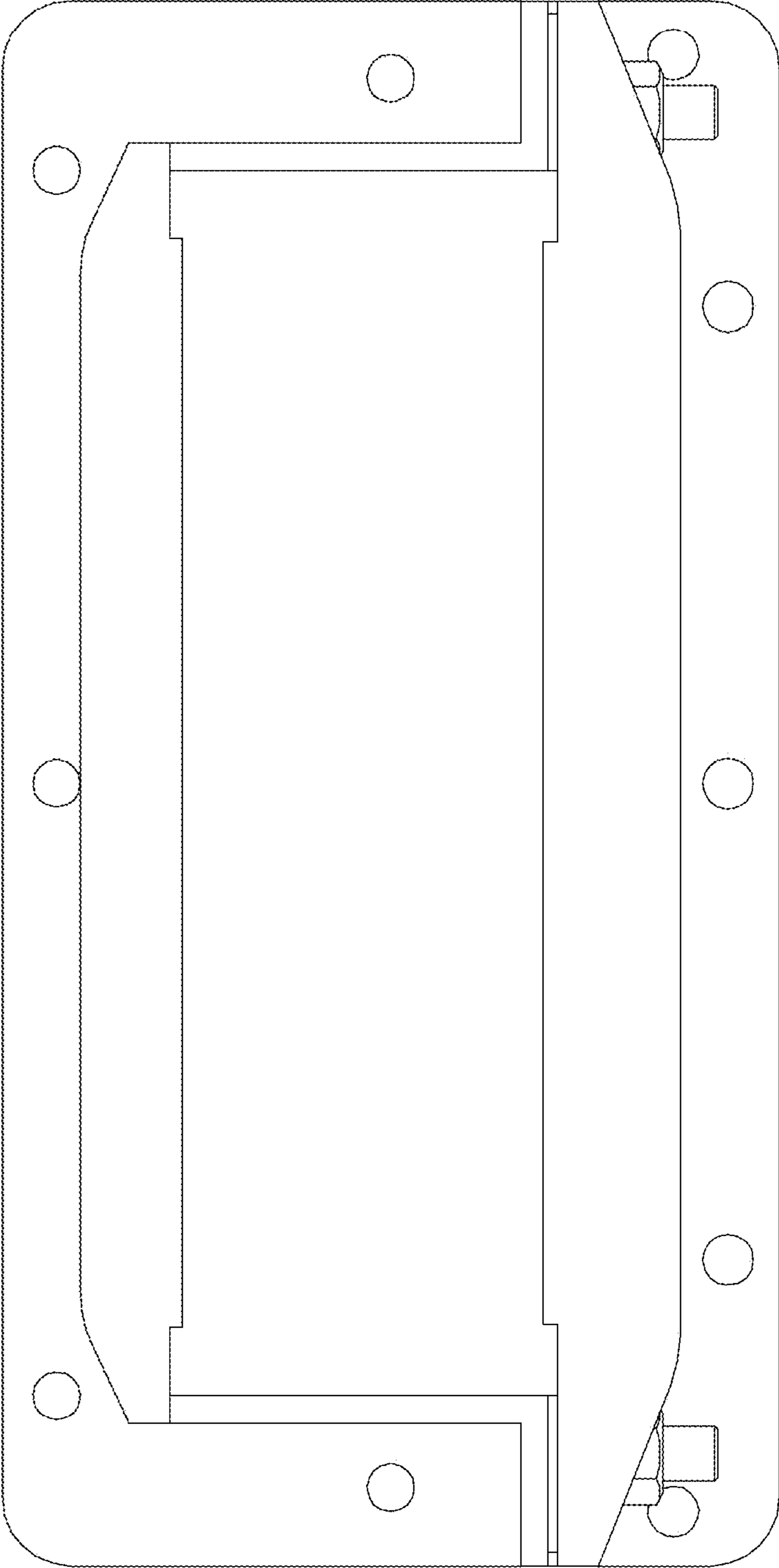


FIG. 7