



US00D872698S

(12) **United States Design Patent**  
**Yu**

(10) **Patent No.:** **US D872,698 S**  
(45) **Date of Patent:** **\*\* Jan. 14, 2020**

(54) **SOCKET**  
(71) Applicant: **Xiaoyong Yu**, Chongqing (CN)  
(72) Inventor: **Xiaoyong Yu**, Chongqing (CN)  
(\*\*) Term: **15 Years**  
(21) Appl. No.: **29/670,124**  
(22) Filed: **Nov. 14, 2018**  
(51) **LOC (12) Cl.** ..... **13-03**  
(52) **U.S. Cl.**  
USPC ..... **D13/137.4**  
(58) **Field of Classification Search**  
USPC ..... D13/137.1–137.4, 139.1–139.8,  
D13/138.1–138.2, 110, 156, 108  
CPC ..... H01R 13/72  
See application file for complete search history.

D796,435 S \* 9/2017 Cho ..... D13/108  
D796,442 S \* 9/2017 Xu ..... D13/139.6  
D810,026 S \* 2/2018 Gubbins ..... D13/139.6  
D826,162 S \* 8/2018 Byrne ..... D13/139.7  
D835,042 S \* 12/2018 Qiu ..... D13/137.2  
D837,148 S \* 1/2019 Brown ..... D13/108  
D845,902 S \* 4/2019 Xu ..... D13/137.4  
D846,500 S \* 4/2019 Xu ..... D13/137.4  
D851,599 S \* 6/2019 Li ..... D13/139.8

\* cited by examiner

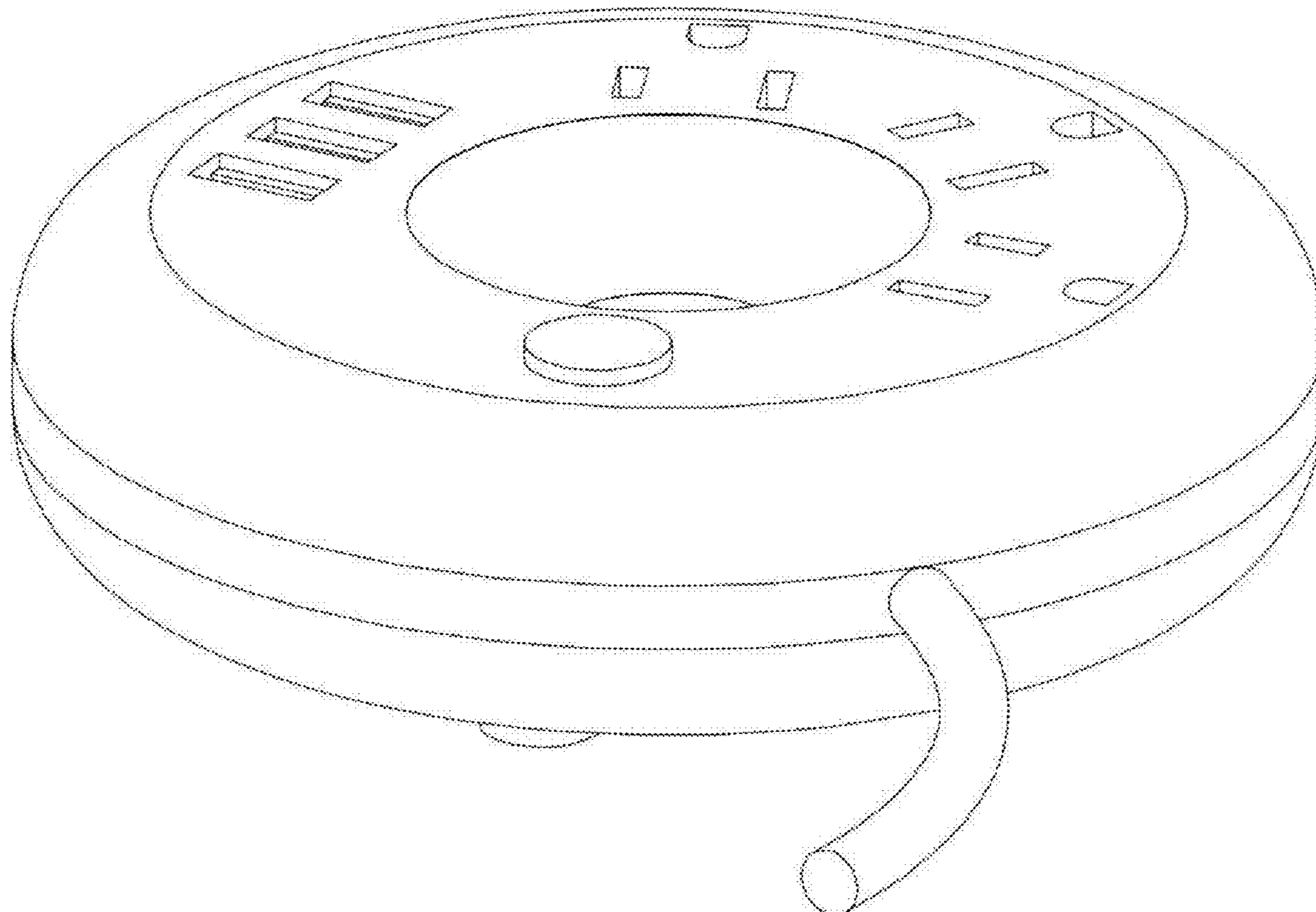
*Primary Examiner* — Rhea Shields

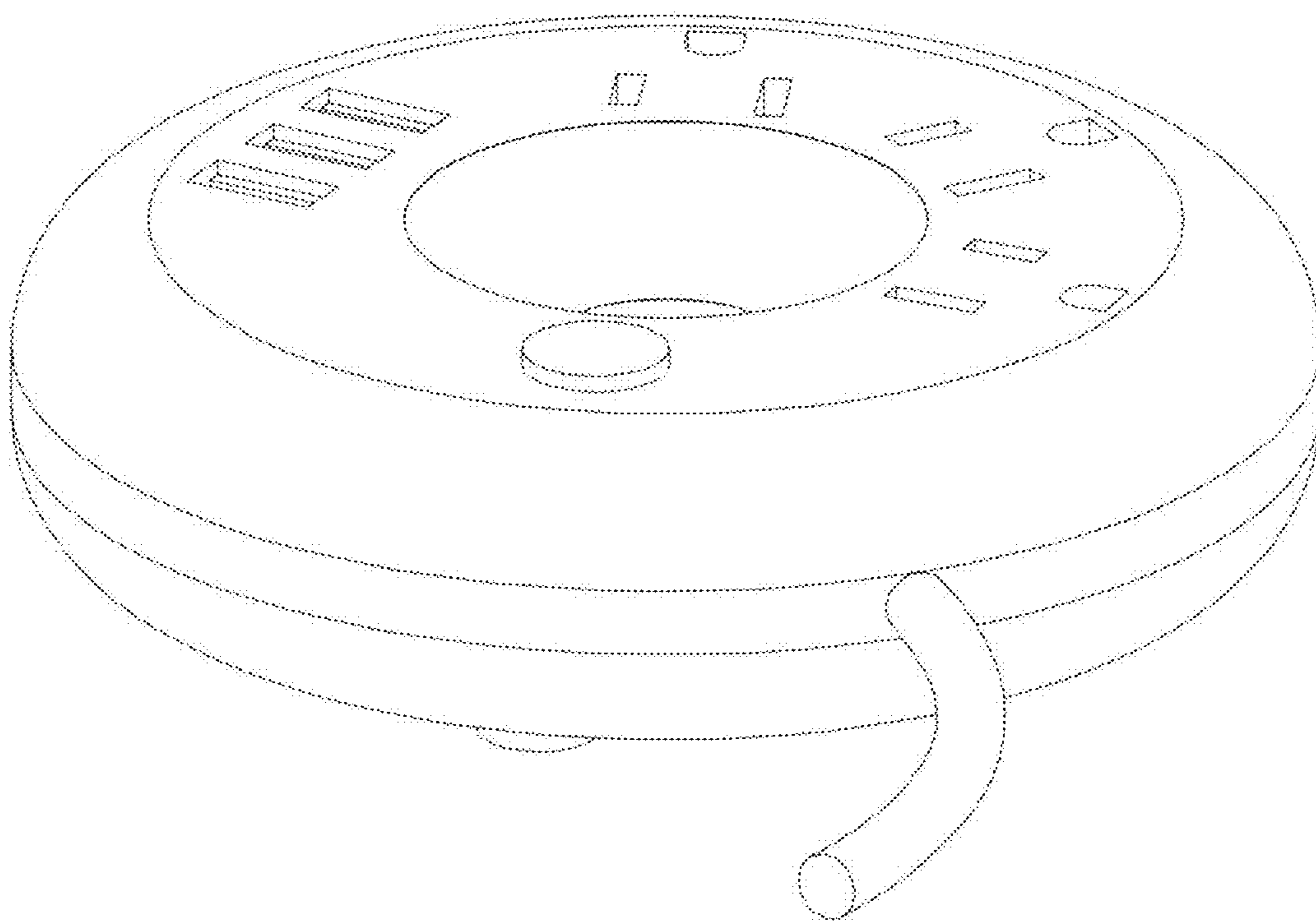
(56) **References Cited**  
U.S. PATENT DOCUMENTS  
5,700,150 A \* 12/1997 Morin ..... H01R 13/72  
191/12.4  
6,077,109 A \* 6/2000 Prazoff ..... H01R 13/72  
191/12.4  
D443,590 S \* 6/2001 Vende ..... D13/137.4  
D608,277 S \* 1/2010 Cano ..... D13/108  
D640,199 S \* 6/2011 Wilson ..... D13/139.7  
D749,504 S \* 2/2016 Jeong ..... D13/108

(57) **CLAIM**  
The ornamental design for a socket, as shown and described.

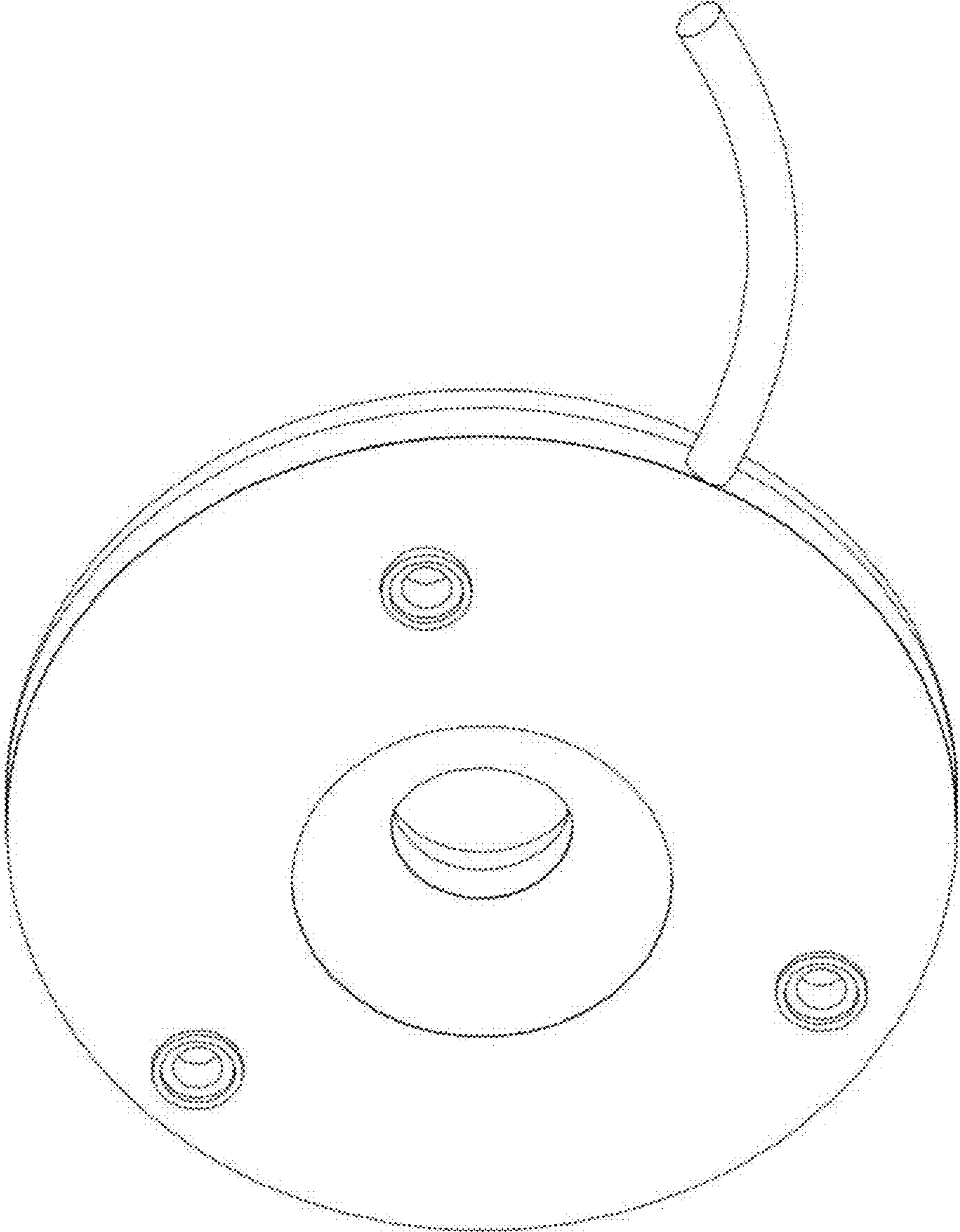
**DESCRIPTION**  
FIG. 1 is a perspective view of a socket showing my new design;  
FIG. 2 is a perspective view of a socket showing my new design;  
FIG. 3 is a top plan view thereof;  
FIG. 4 is a rear elevational view thereof;  
FIG. 5 is a bottom plan view thereof;  
FIG. 6 is a right side view thereof;  
FIG. 7 is a front elevational view thereof; and,  
FIG. 8 is a left side view thereof.

**1 Claim, 8 Drawing Sheets**

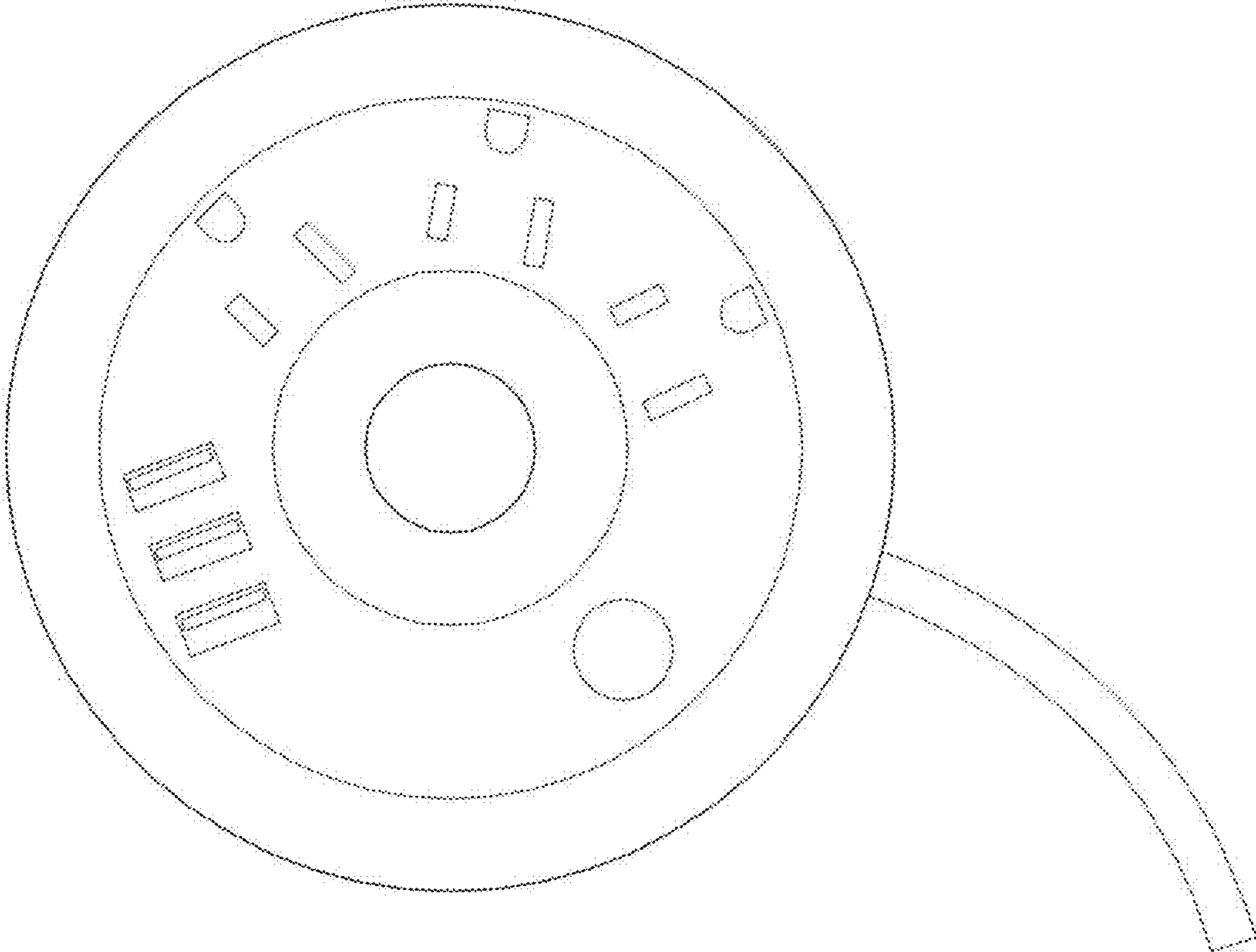




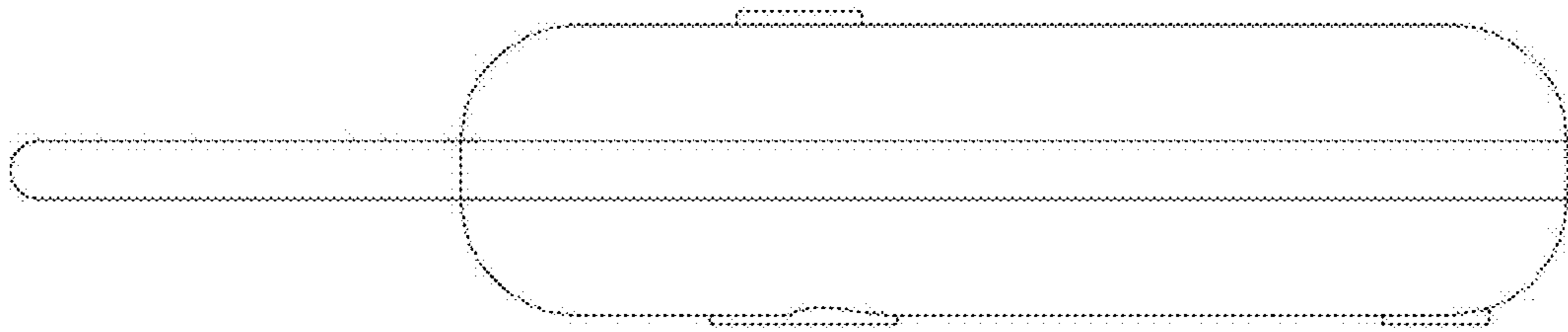
**FIG.1**



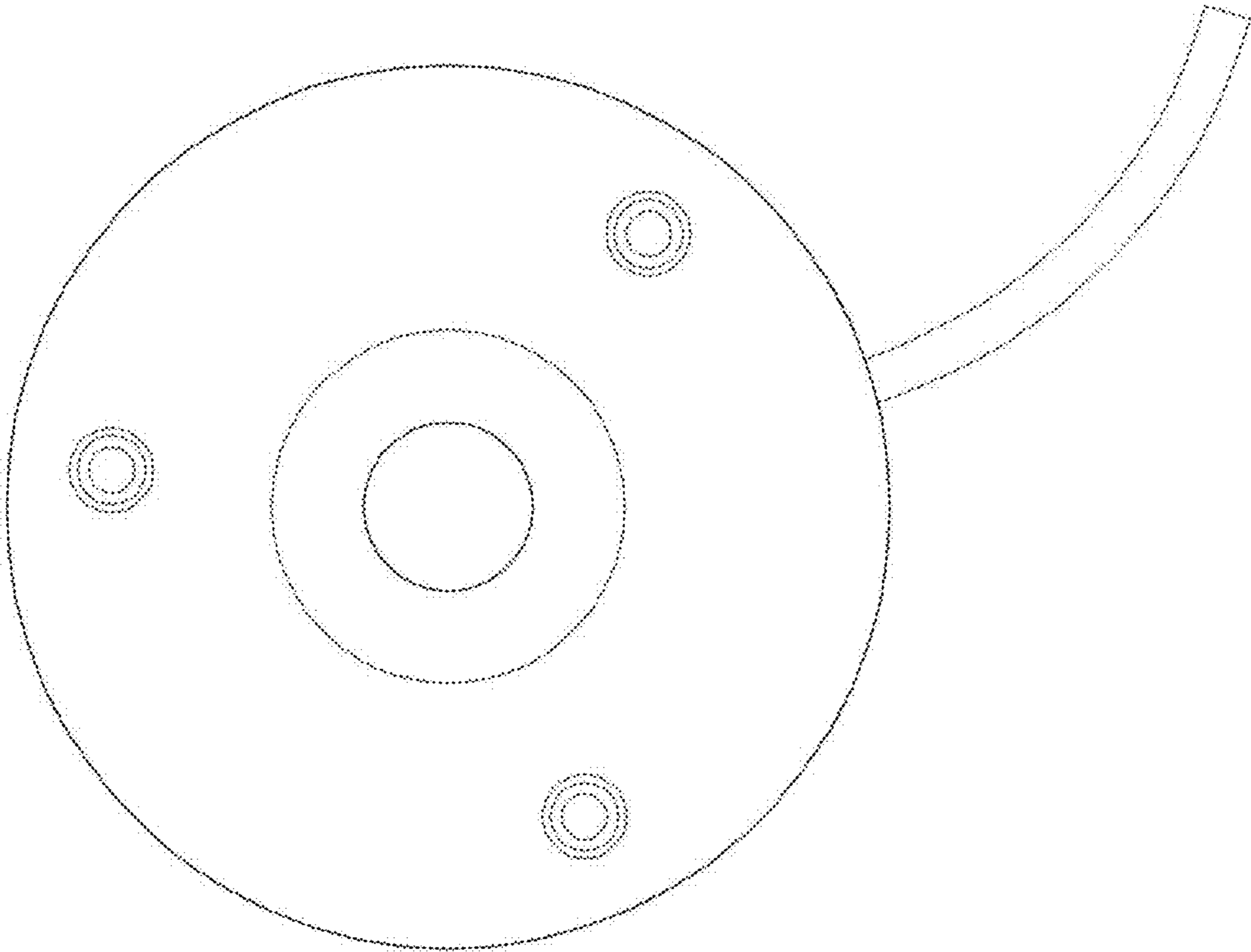
**FIG.2**



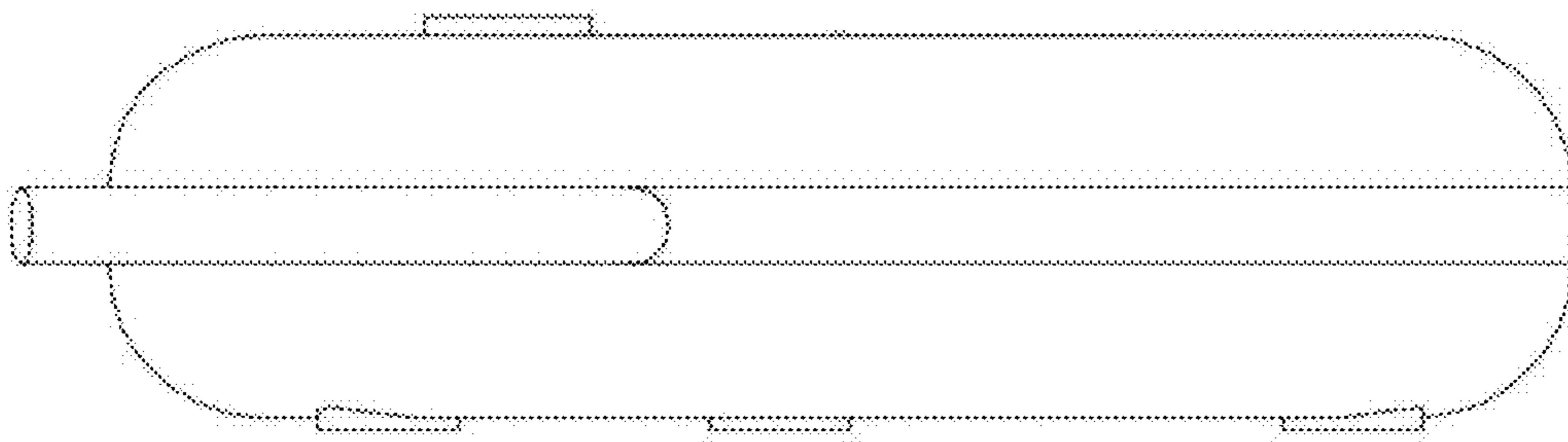
**FIG.3**



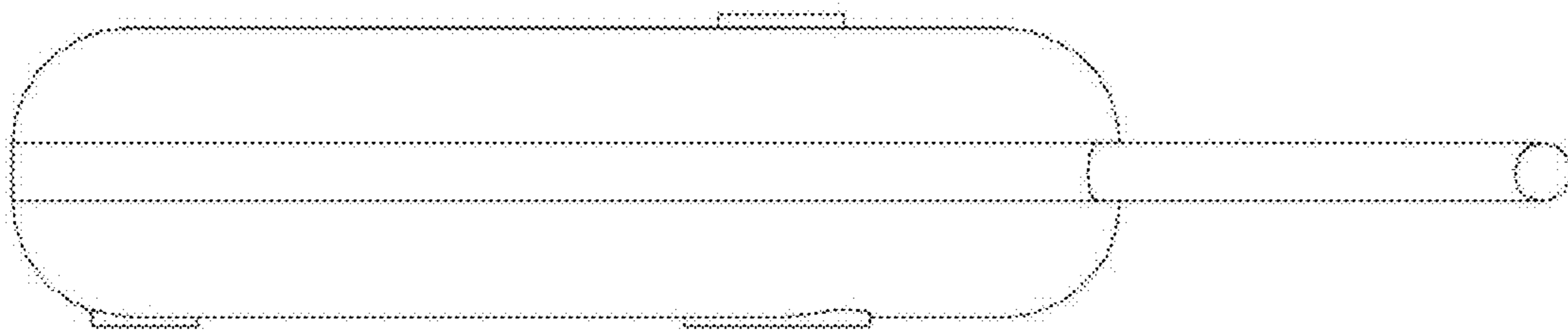
**FIG.4**



**FIG.5**

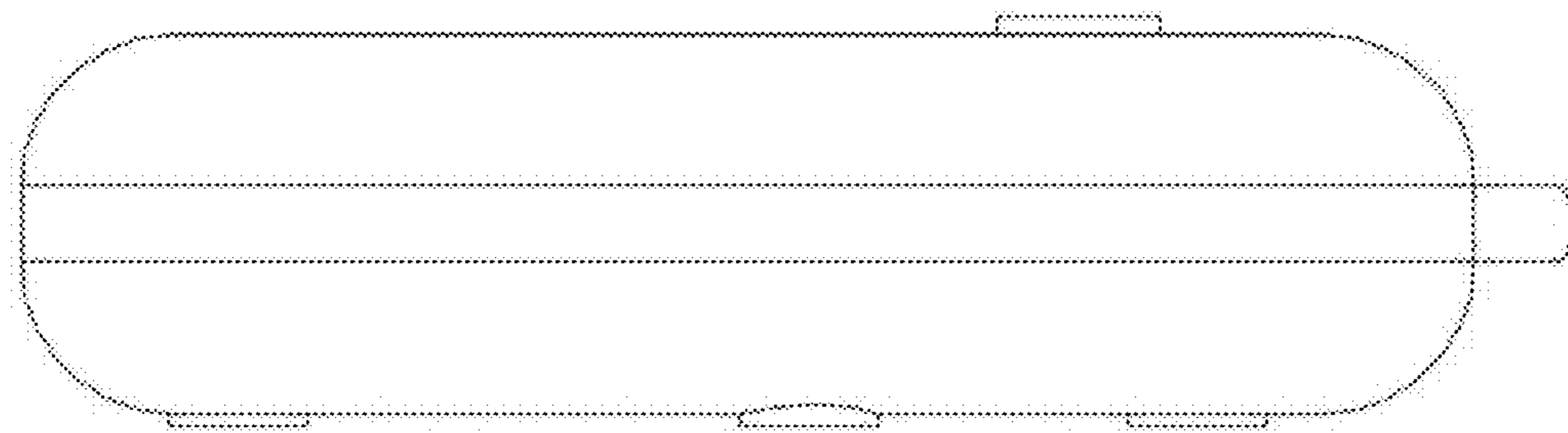


**FIG.6**



**FIG.7**





**FIG. 8**