



US00D872697S

(12) **United States Design Patent**
Yu

(10) **Patent No.:** **US D872,697 S**
(45) **Date of Patent:** **** Jan. 14, 2020**

- (54) **SOCKET**
- (71) Applicant: **Xiaoyong Yu**, Chongqing (CN)
- (72) Inventor: **Xiaoyong Yu**, Chongqing (CN)
- (**) Term: **15 Years**
- (21) Appl. No.: **29/670,123**
- (22) Filed: **Nov. 14, 2018**
- (51) **LOC (12) Cl.** **13-03**
- (52) **U.S. Cl.**
USPC **D13/137.4**
- (58) **Field of Classification Search**
USPC D13/137.1–137.4, 138.1–138.2,
D13/139.1–139.8, 110, 156, 108
CPC H01R 13/6666
See application file for complete search history.

(56) **References Cited**

U.S. PATENT DOCUMENTS

- D406,562 S * 3/1999 Al-Sabah D13/137.2
- 6,315,617 B1 * 11/2001 Al-Sabah H01R 13/6666
439/652
- D459,307 S * 6/2002 Nieto D13/139.8

- D559,783 S * 1/2008 Matzdorff D13/137.2
- D562,240 S * 2/2008 Lee D13/137.2
- D614,134 S * 4/2010 Chen D13/137.2
- D651,977 S * 1/2012 Lee D13/139.1
- D734,268 S * 7/2015 Parbatani D13/139.8
- D736,710 S * 8/2015 Lin D13/137.2
- D790,459 S * 6/2017 Eshelman D13/110
- D810,017 S * 2/2018 Short D13/108
- D821,978 S * 7/2018 Yu D13/139.7
- D852,139 S * 6/2019 Wen D13/137.1

* cited by examiner

Primary Examiner — Rhea Shields

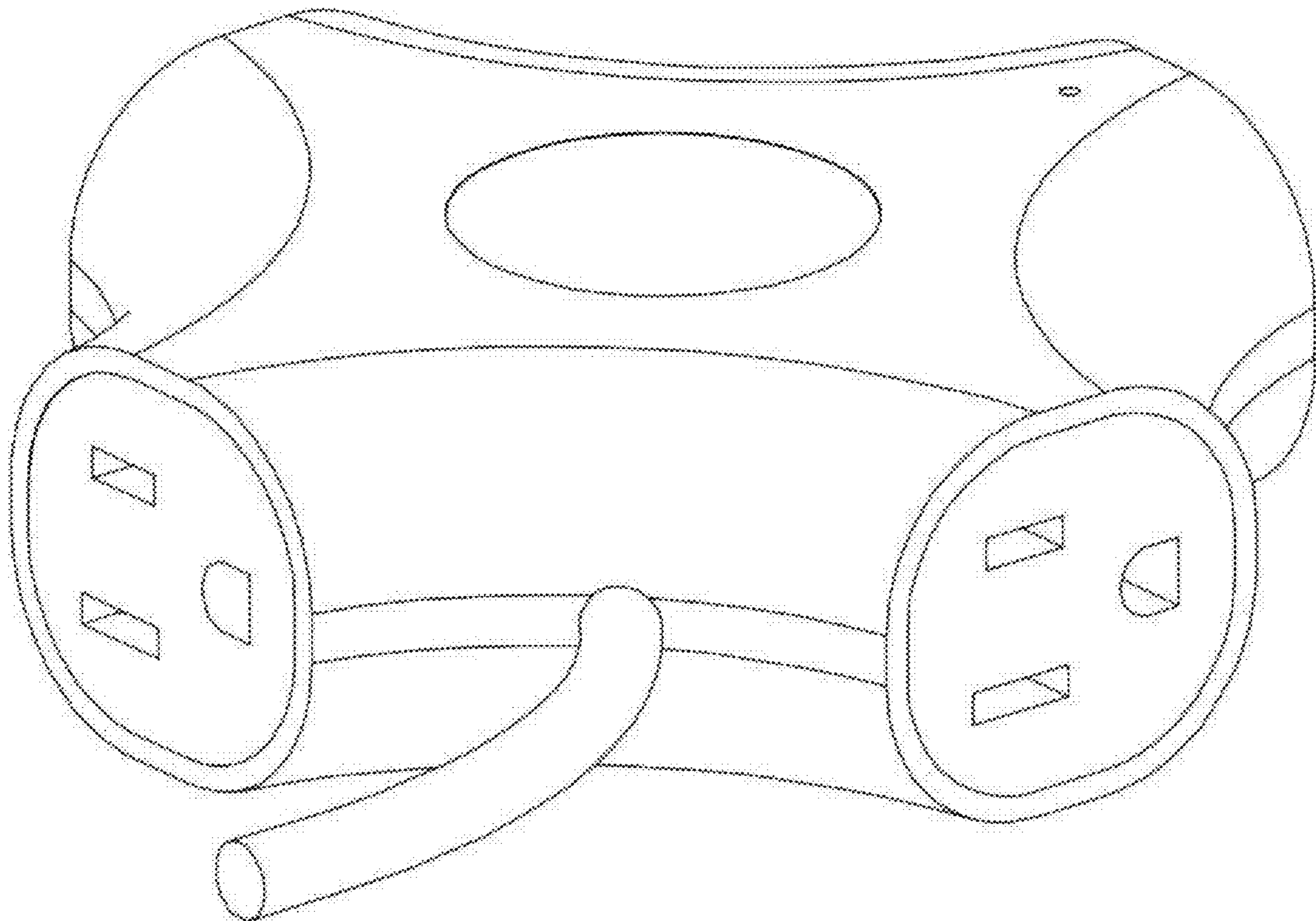
(57) **CLAIM**

The ornamental design for a socket, as shown and described.

DESCRIPTION

FIG. 1 is a perspective view of a socket showing my new design;
 FIG. 2 is a perspective view of a socket showing my new design;
 FIG. 3 is a top plan view thereof;
 FIG. 4 is a rear elevational view thereof;
 FIG. 5 is a bottom plan view thereof;
 FIG. 6 is a right side view thereof;
 FIG. 7 is a front elevational view thereof; and,
 FIG. 8 is a left side view thereof.

1 Claim, 8 Drawing Sheets



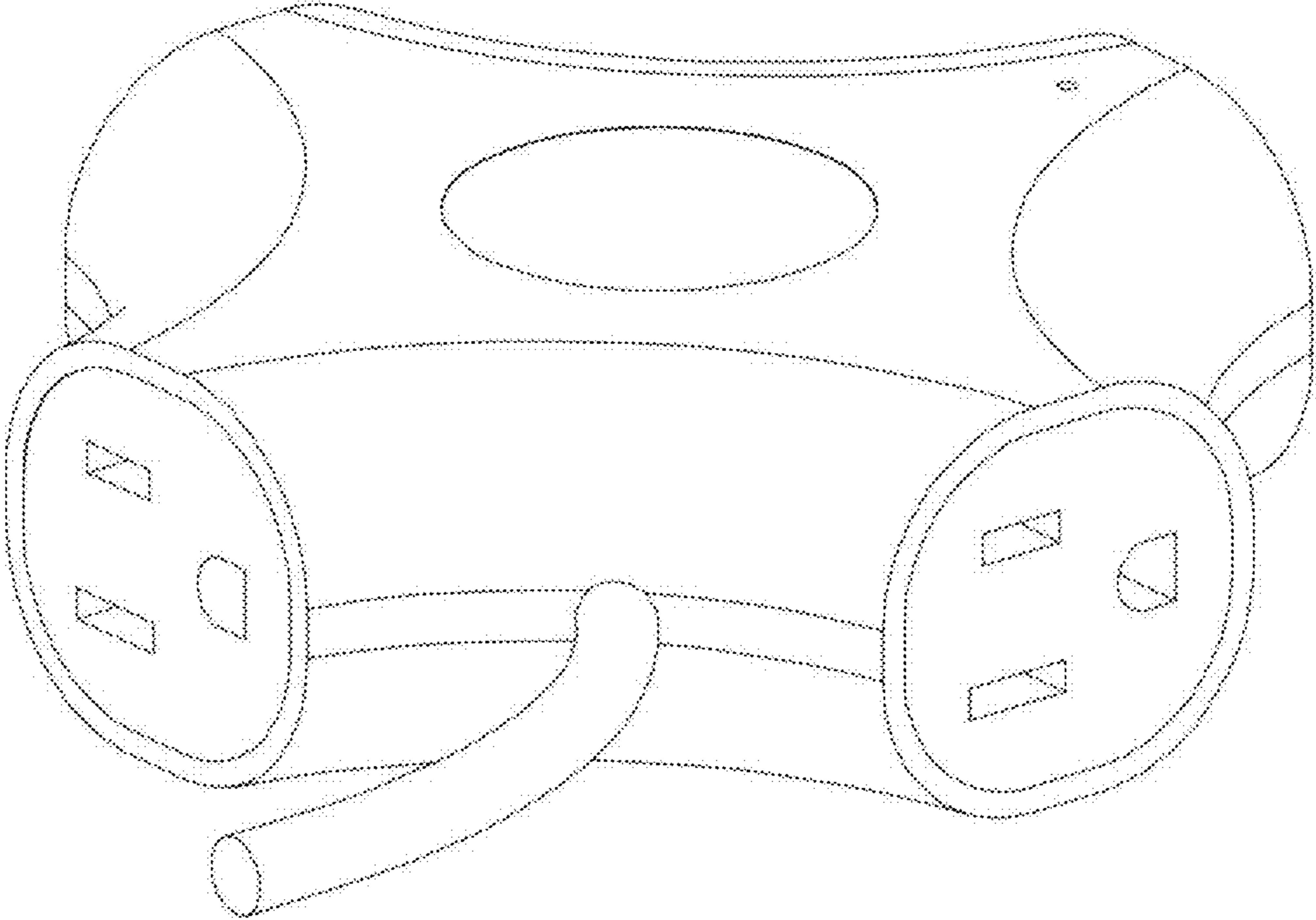


FIG.1

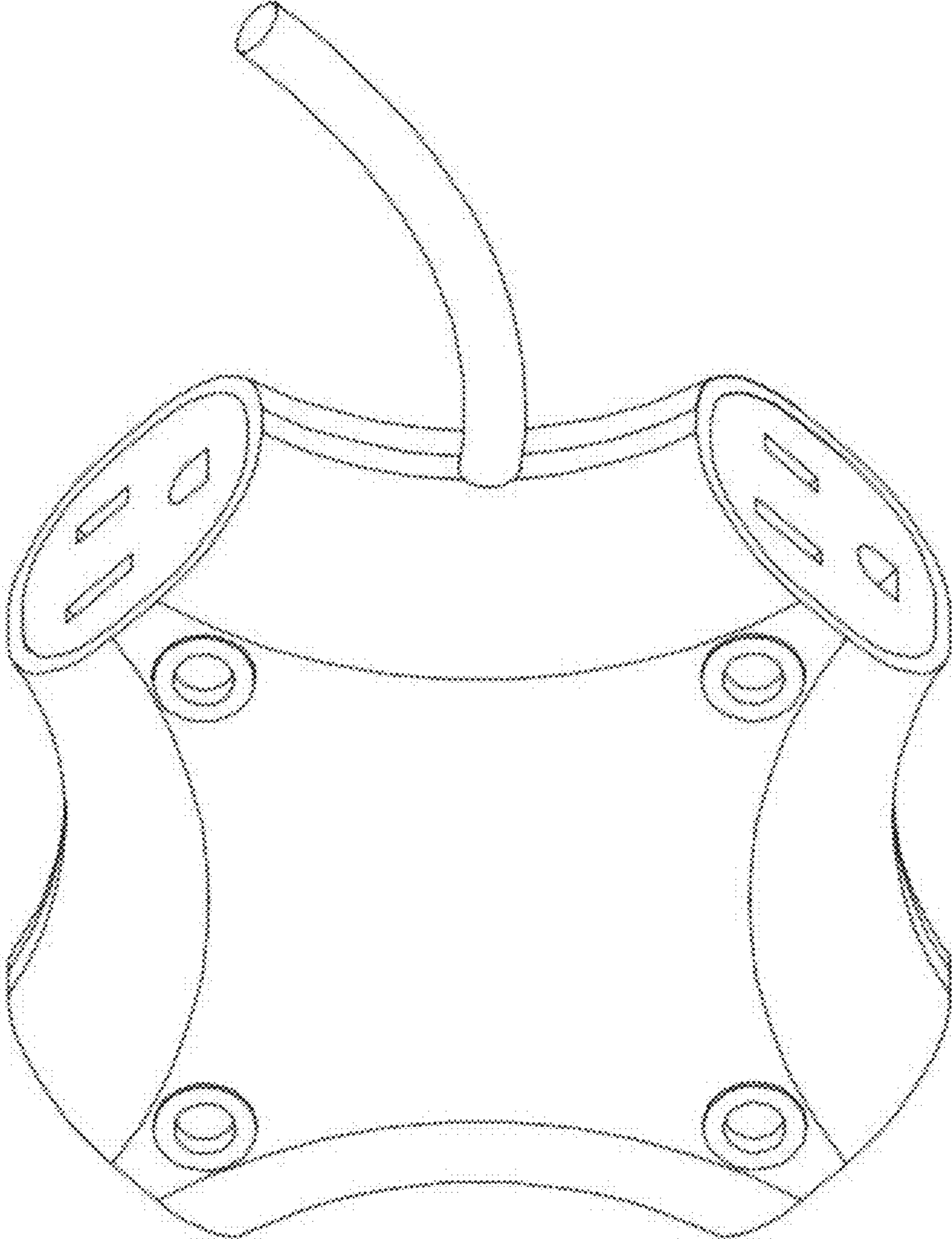


FIG.2

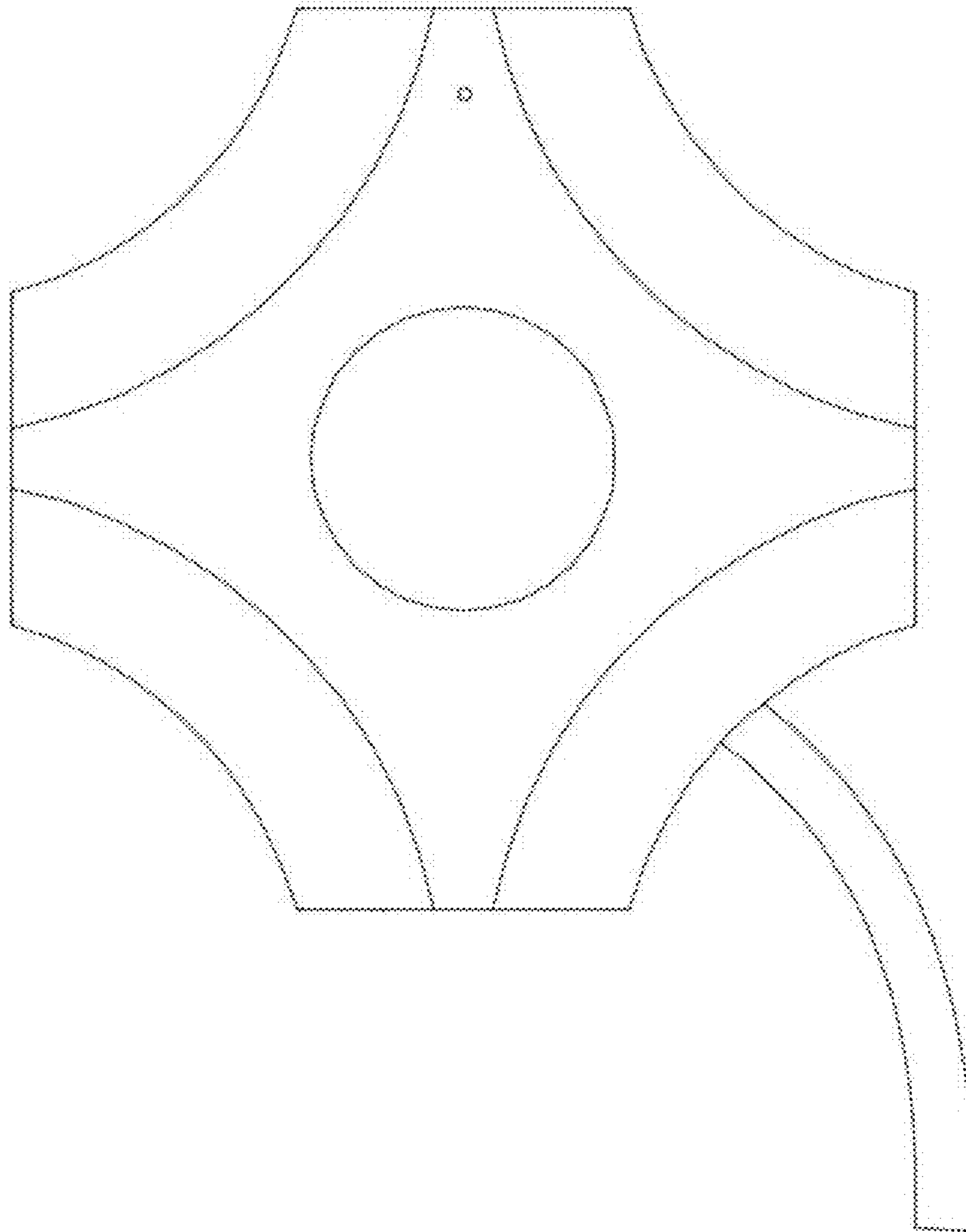


FIG.3

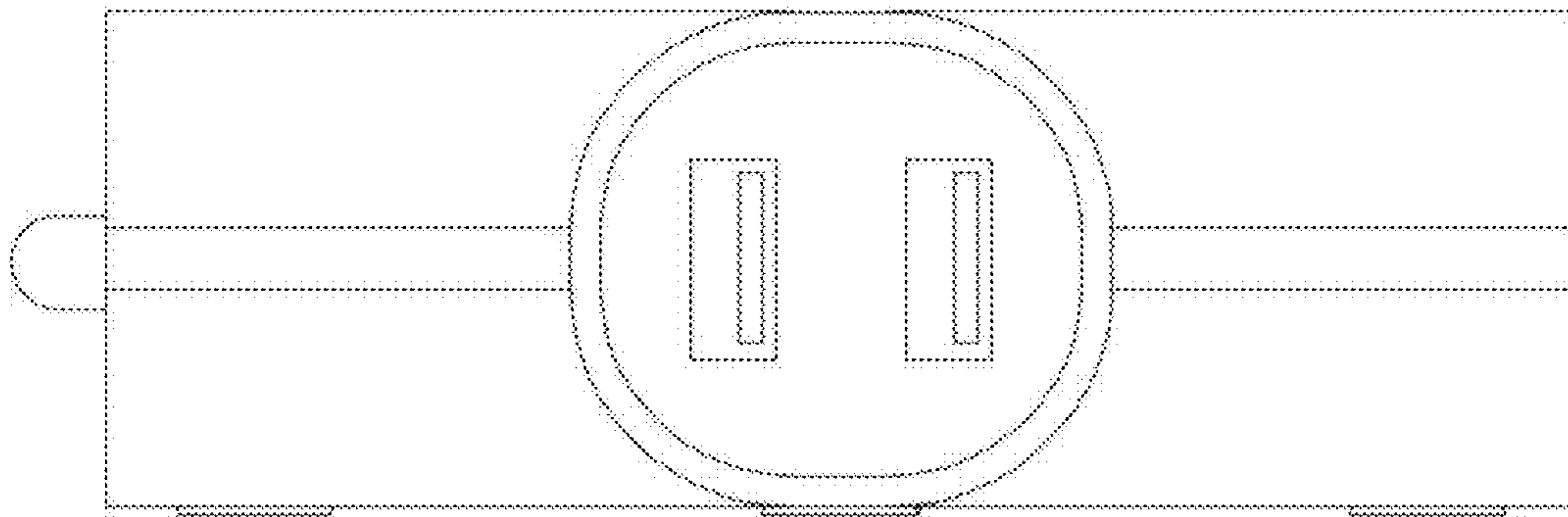


FIG. 4

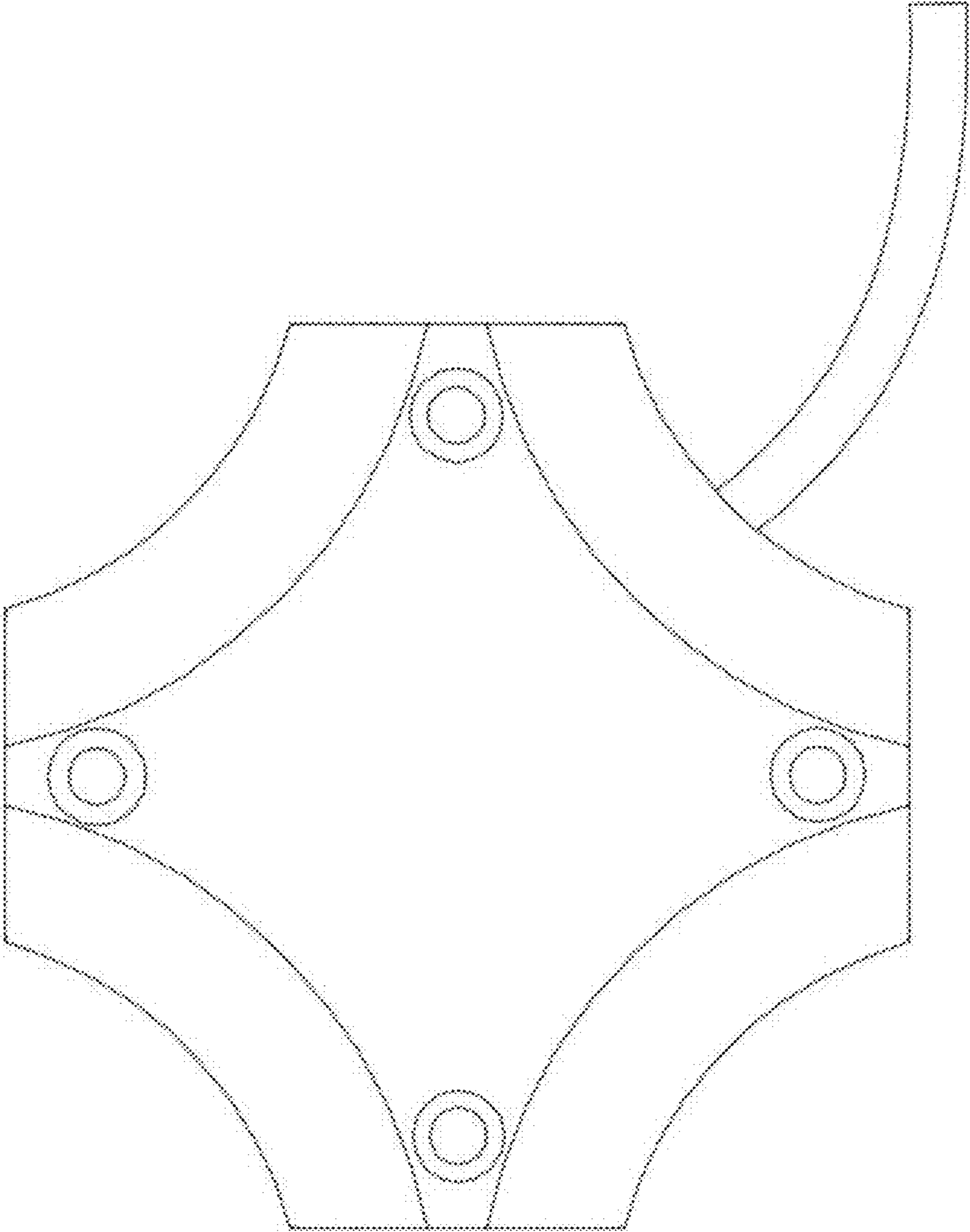


FIG.5

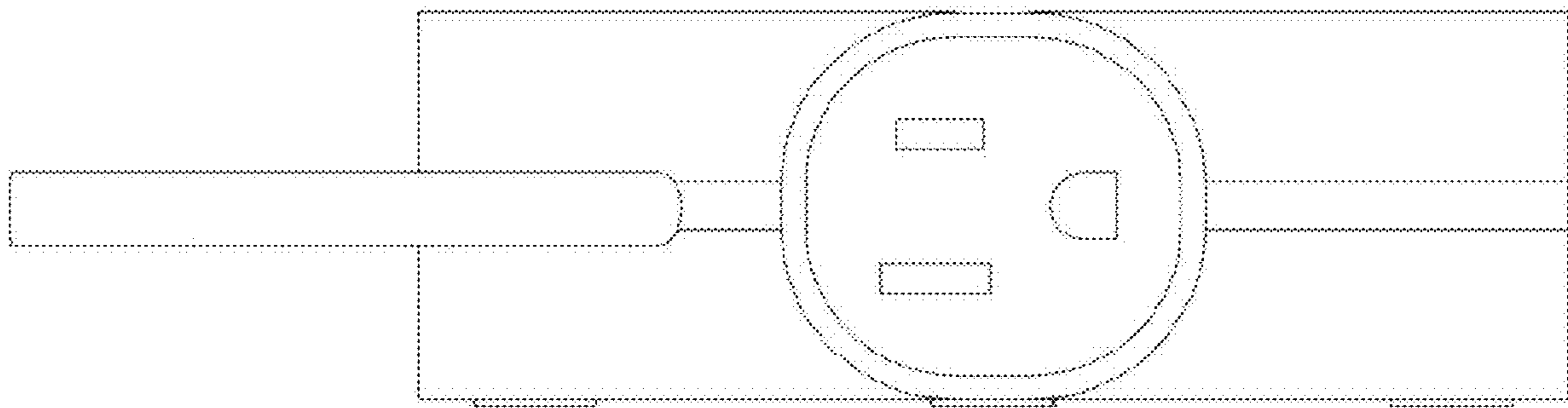


FIG. 6

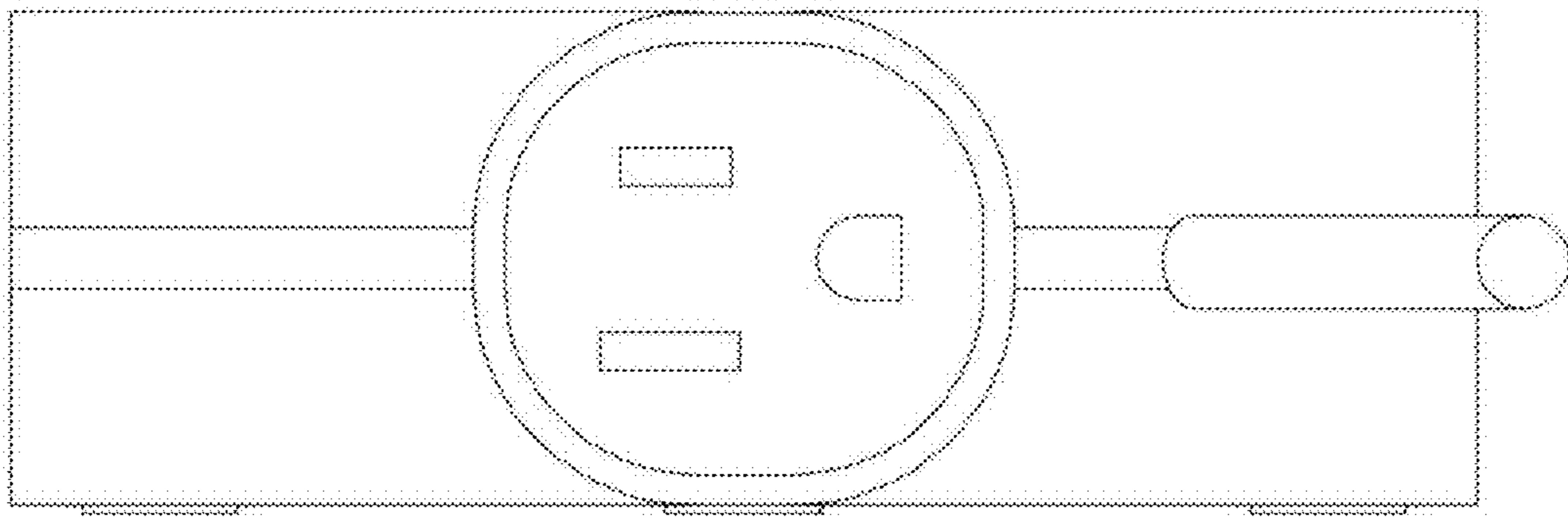


FIG.7

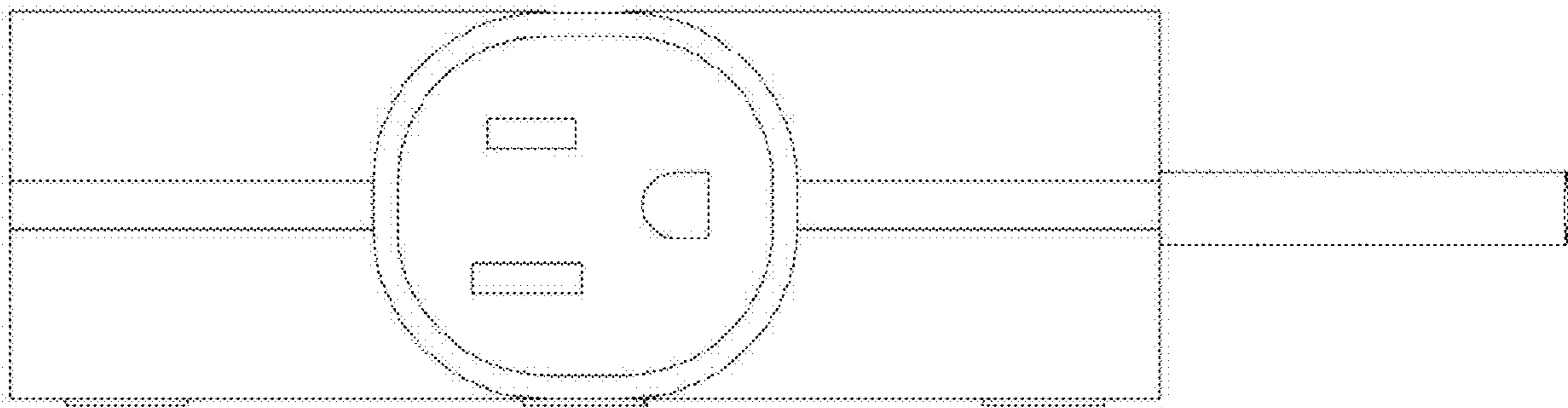


FIG. 8