



US00D872696S

(12) **United States Design Patent**
Yu

(10) **Patent No.:** **US D872,696 S**
(45) **Date of Patent:** **** Jan. 14, 2020**

(54) **EXTENSION CORD**

(71) Applicant: **NINGBO WELL ELECTRIC APPLANCE CO., LTD.**, Ningbo (CN)

(72) Inventor: **Guolin Yu**, Ningbo (CN)

(73) Assignee: **NINGBO WELL ELECTRIC APPLIANCE CO., LTD.**, Ningbo (CN)

(**) Term: **15 Years**

(21) Appl. No.: **29/663,475**

(22) Filed: **Sep. 16, 2018**

(30) **Foreign Application Priority Data**

Aug. 28, 2018 (CN) 2018 3 0481470

(51) **LOC (12) Cl.** **13-03**

(52) **U.S. Cl.**
USPC **D13/137.4**

(58) **Field of Classification Search**

USPC D13/103, 107, 108, 110, 118, 119, 123,
D13/133, 137.1-137.4, 138.1-138.2,
D13/139.1-139.8, 152-154, 184, 199

CPC H01R 25/00; H01R 25/006; H01R 13/00;
H01R 13/04; H01R 13/10; H01R
13/6666; H01R 13/6675; H01R 9/00;
H01R 11/00; H01H 2207/00; H01H
2207/022; H01H 2203/00; H02J 7/00;
H02J 7/0003; H02J 7/0011; H02J 7/0013;
H02J 7/0054; H02J 7/0055; H02J 7/0057;
H01M 2/02; H01M 2/022; H01M 2/0202;
H01M 2/0207; H01M 2/0212; H01M
2220/10; H01M 2220/20; Y02E 60/12;
Y02E 60/122; Y02E 60/124; Y02E 60/50
See application file for complete search history.

(56) **References Cited**

U.S. PATENT DOCUMENTS

D416,233 S * 11/1999 Tsai D13/147
D416,869 S * 11/1999 Tsai D13/153

D456,509 S * 4/2002 Schultz D13/153
D466,867 S * 12/2002 Krobusek D13/137.4
D467,545 S * 12/2002 Wang D13/138.1
D485,239 S * 1/2004 Whalin D13/137.4
D558,769 S * 1/2008 Krieger D13/108
D613,248 S * 4/2010 Wu D13/110
D694,180 S * 11/2013 Inskeep D13/107
D700,137 S * 2/2014 Ashida D13/103
D723,476 S * 3/2015 Aromin D13/139.6
D740,749 S * 10/2015 Stewart D13/108
D795,802 S * 8/2017 Inagaki D13/107
D795,816 S * 8/2017 He D13/153
D798,825 S * 10/2017 Hahn D13/153
D811,998 S * 3/2018 Wang D13/107
D817,886 S * 5/2018 Yu D13/138.2
D817,888 S * 5/2018 Yu D13/139.1
D818,971 S * 5/2018 Peng D13/171
D824,855 S * 8/2018 Eshelman D13/137.2
D840,927 S * 2/2019 Lnskeep D13/107
D845,892 S * 4/2019 Shum D13/107

(Continued)

Primary Examiner — Rosemary K Tarcza

Assistant Examiner — Christy M Nemeth

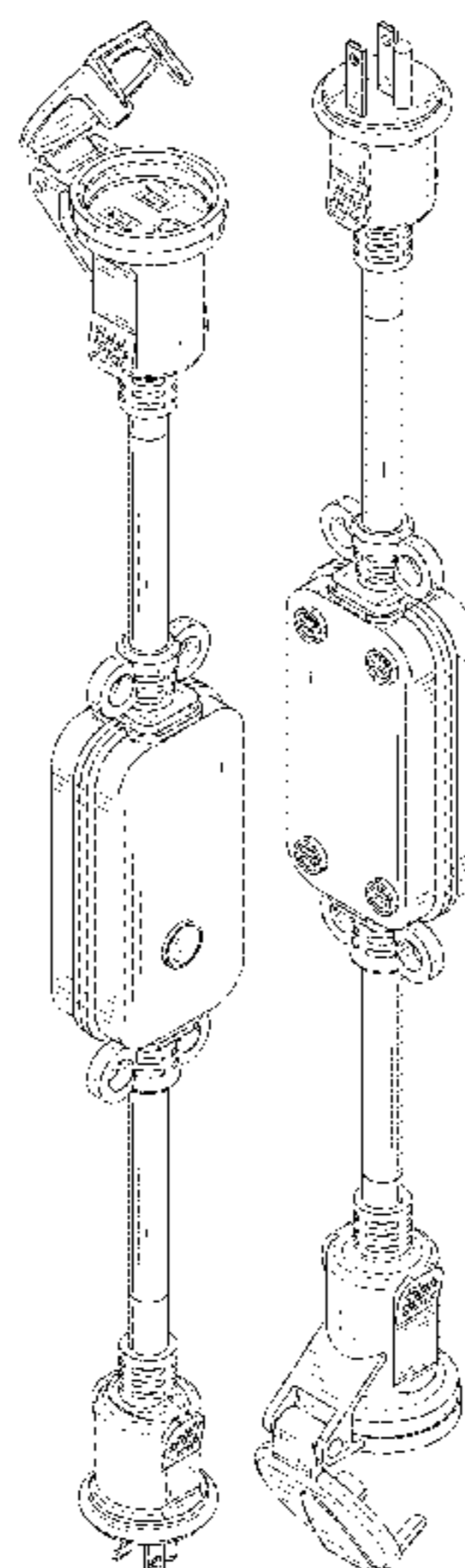
(57) **CLAIM**

The ornamental design for an extension cord, as shown and described.

DESCRIPTION

FIG. 1 is a left, rear, top perspective view of an extension cord showing my new design;
FIG. 2 is a right, front, bottom perspective view thereof;
FIG. 3 is a rear elevational view thereof;
FIG. 4 is a front elevational view thereof;
FIG. 5 is a left side elevational view thereof;
FIG. 6 is a right side elevational view thereof;
FIG. 7 is a top plan view thereof; and,
FIG. 8 is a bottom plan view thereof.

1 Claim, 8 Drawing Sheets



(56)

References Cited

U.S. PATENT DOCUMENTS

D850,372 S * 6/2019 Kong D13/108
D851,588 S * 6/2019 Ma D13/108

* cited by examiner

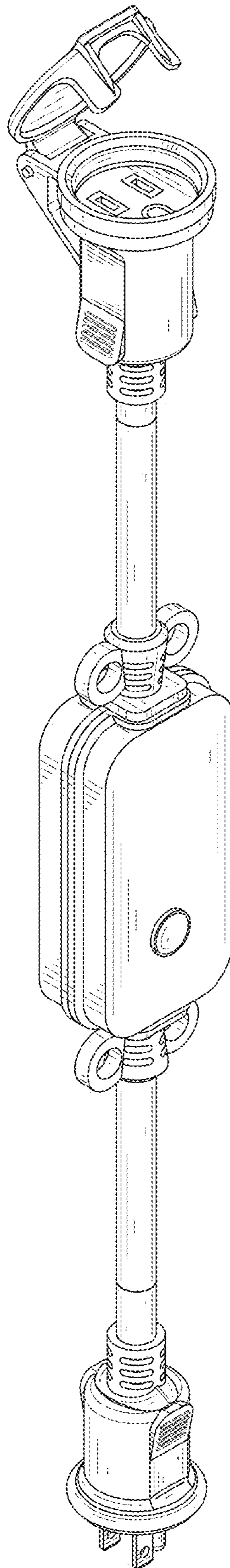


FIG. 1

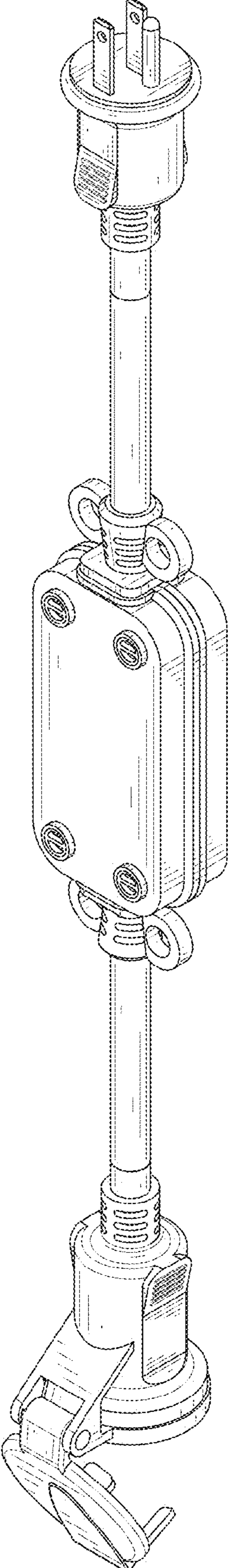


FIG. 2

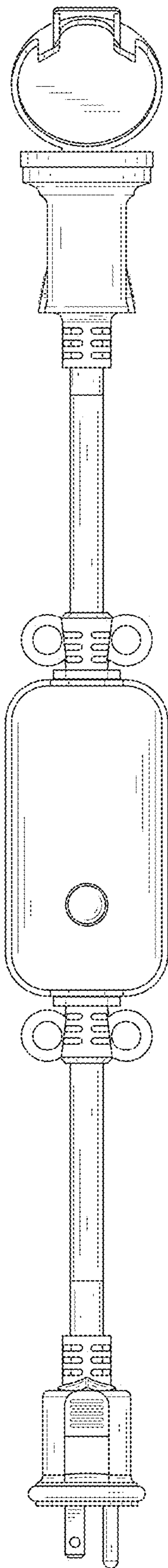


FIG. 3

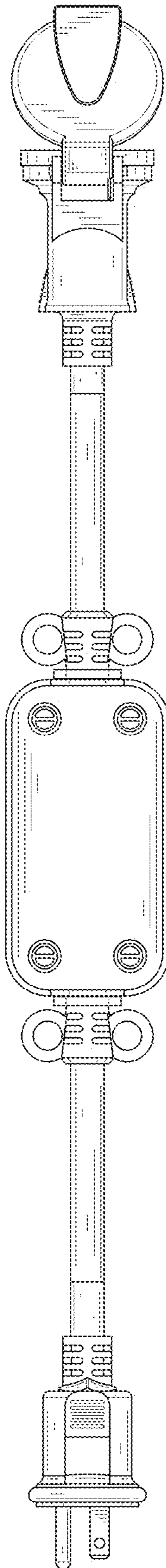


FIG. 4

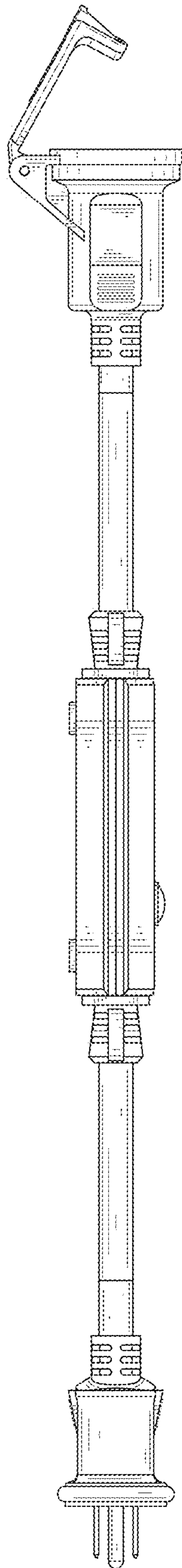


FIG. 5

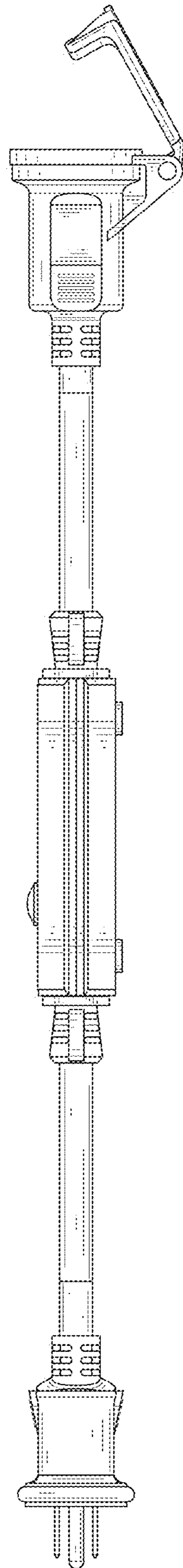


FIG. 6

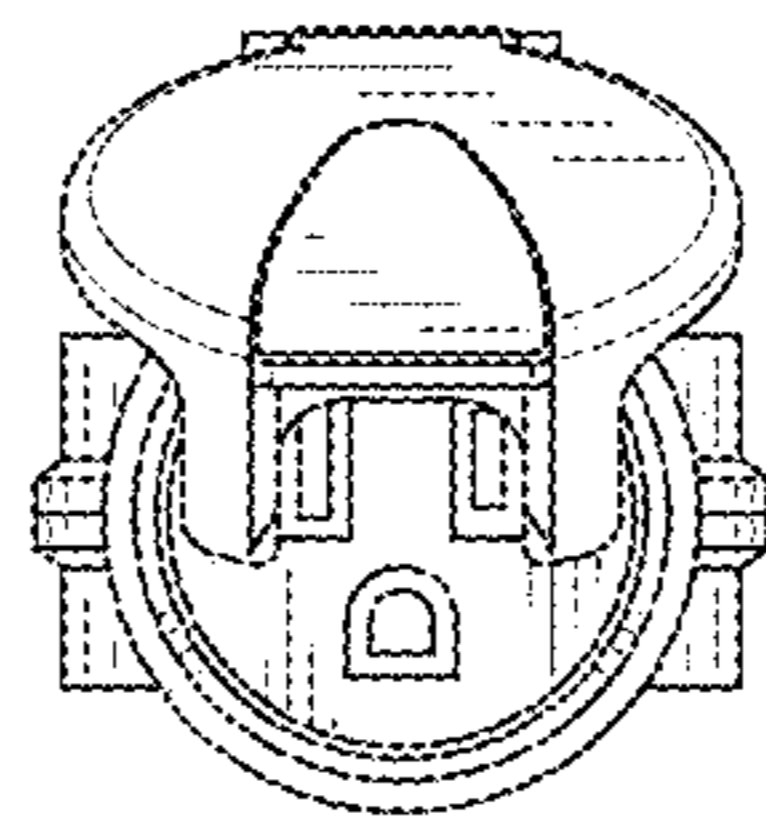


FIG. 7

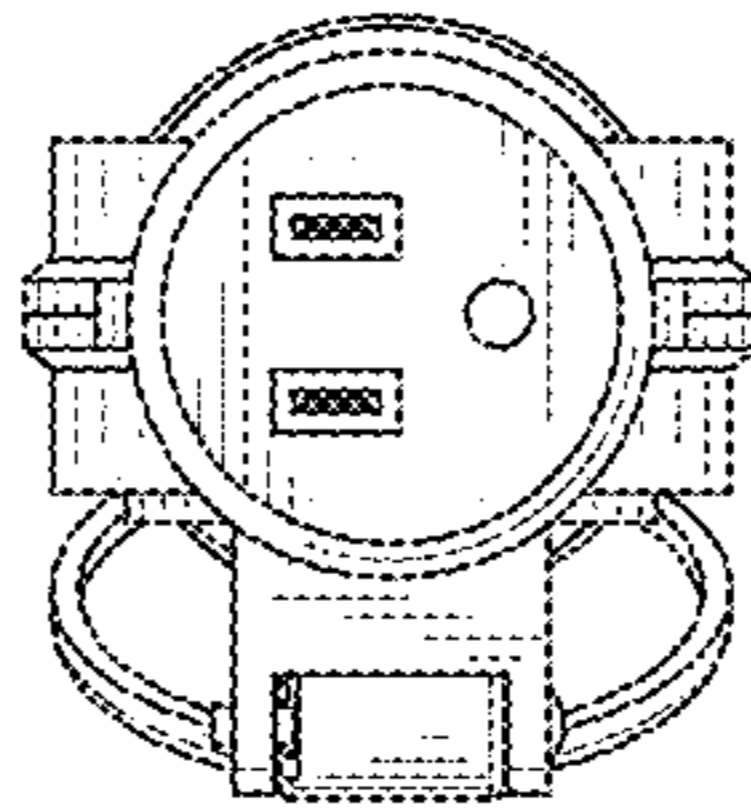


FIG. 8