



US00D872695S

(12) **United States Design Patent** (10) **Patent No.:** **US D872,695 S**
Bo (45) **Date of Patent:** **** Jan. 14, 2020**

- (54) **SMART WIFI ADAPTER WITH DUAL USB PORT**
- (71) Applicant: **Anhui Inno-Sign International Co., Ltd.**, Hefei (CN)
- (72) Inventor: **Jin Bo**, Hefei (CN)
- (73) Assignee: **Anhui Inno-Sign International Co., Ltd.**, Hefei (CN)
- (**) Term: **15 Years**
- (21) Appl. No.: **29/654,889**
- (22) Filed: **Jun. 28, 2018**
- (51) **LOC (12) Cl.** **13-03**
- (52) **U.S. Cl.**
USPC **D13/137.2**
- (58) **Field of Classification Search**
USPC D13/107, 108, 110, 123, 133,
D13/137.1-137.4, 138.1-138.2,
D13/139.1-139.8, 152, 154, 184
CPC H01R 11/00; H01R 9/00; H01R 13/00;
H01R 13/04; H01R 13/10; H01R
13/6666; H01R 13/6675; H01R 25/00;
H01R 25/006; H01H 2207/00; H01H
2207/022
See application file for complete search history.

- (56) **References Cited**
U.S. PATENT DOCUMENTS
D432,990 S * 10/2000 Stekelenburg D13/137.3
D454,538 S * 3/2002 Glickman D13/110
D561,694 S * 2/2008 Lam D13/110
D582,346 S * 12/2008 Zhou D13/137.2
D588,065 S * 3/2009 Wadsworth D13/137.2
D638,355 S * 5/2011 Chen D13/110
8,011,930 B2 * 9/2011 Lee H01R 13/6675
439/18
D660,795 S * 5/2012 Wen D13/110
D660,797 S * 5/2012 Wu D13/110

- D665,354 S * 8/2012 Chen D13/138.1
- D669,029 S * 10/2012 Huang D13/110
- D686,988 S * 7/2013 Fawkes D13/110
- D699,183 S * 2/2014 Zaslavsky D13/110
- D702,182 S * 4/2014 Druker D13/110
- D713,788 S * 9/2014 Hasegawa D13/110
- D720,290 S * 12/2014 Wu D13/110
- D732,719 S * 6/2015 Mozdzer D13/139.1
- D734,253 S * 7/2015 Tinaphong H02J 7/0004
D13/108
- D755,127 S * 5/2016 Wong D13/137.2
- D756,303 S * 5/2016 Kellenberger D13/137.1
- D758,312 S * 6/2016 Lin D13/137.2
- D807,295 S * 1/2018 Xu D13/137.2
- D807,827 S * 1/2018 Lu D13/137.2
- D808,046 S * 1/2018 Jianting D26/26
- D810,681 S * 2/2018 Ji D13/110
- D816,614 S * 5/2018 An D13/137.1
- D818,954 S * 5/2018 Lai D13/110

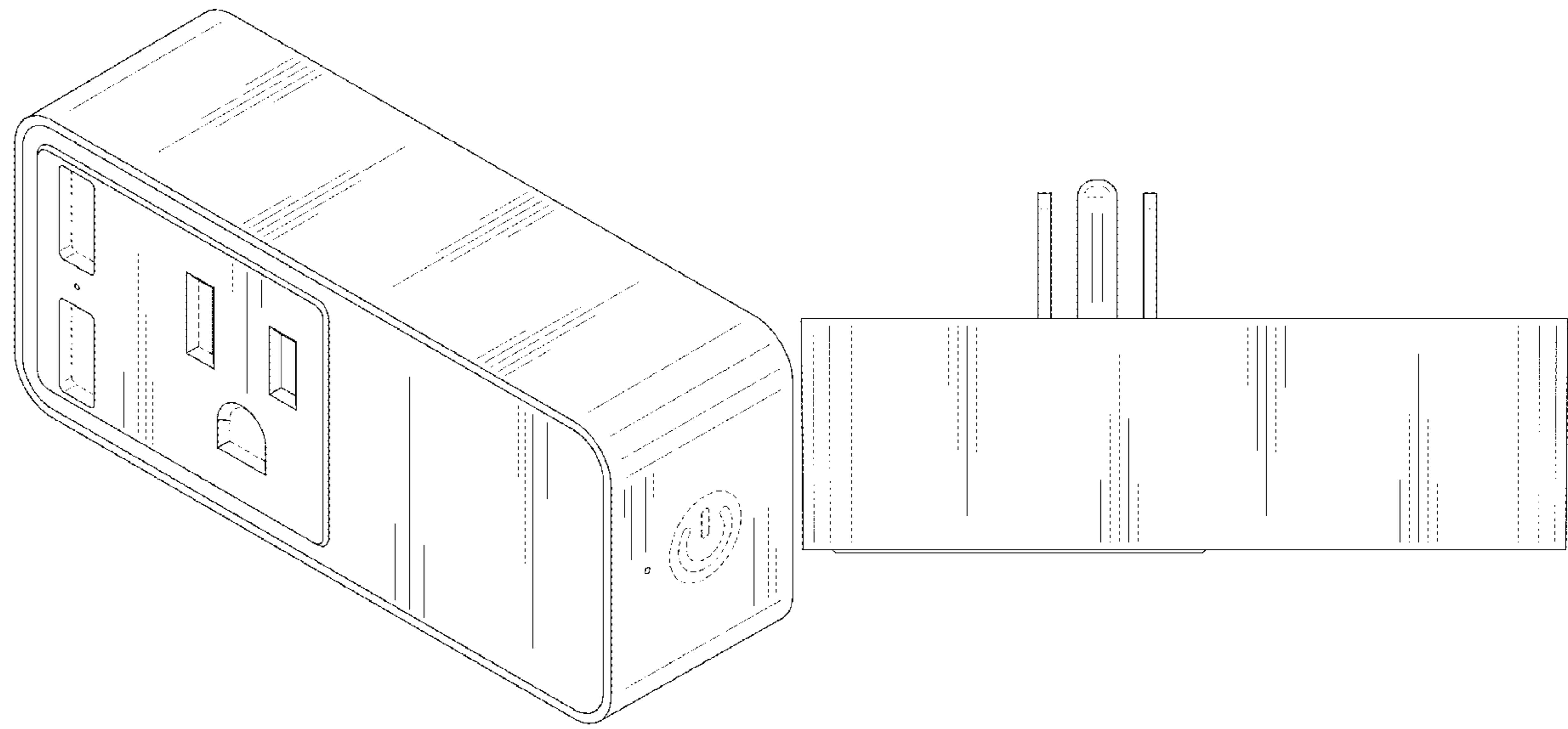
(Continued)

Primary Examiner — Rosemary K Tarcza
Assistant Examiner — Christy M Nemeth
(74) *Attorney, Agent, or Firm* — Richards Patent Law P.C.

(57) **CLAIM**
The ornamental design for a smart WiFi adapter with dual USB port, as shown and described.

DESCRIPTION
FIG. 1 is an isometric view of a smart WiFi adapter with dual USB port showing my new design;
FIG. 2 is a front view thereof;
FIG. 3 is a back view thereof;
FIG. 4 is a top view thereof;
FIG. 5 is a bottom view thereof;
FIG. 6 is a right side view thereof; and,
FIG. 7 is a left side view thereof.
The broken lines in the drawings are for the purpose of illustrating portions of the smart WiFi adapter with dual USB port that form no part of the claimed design.

1 Claim, 4 Drawing Sheets



(56)

References Cited

U.S. PATENT DOCUMENTS

D819,570	S	*	6/2018	Zhong	D13/137.1
D826,159	S	*	8/2018	Tao	D13/137.2
D832,215	S	*	10/2018	Xu	D13/137.2
D832,786	S	*	11/2018	Zhu	D13/139.1
D835,042	S	*	12/2018	Qiu	D13/137.2
D836,542	S	*	12/2018	Xu	D13/107
D843,943	S	*	3/2019	Yang	D13/137.2
D845,900	S	*	4/2019	Liu	D13/137.2

* cited by examiner

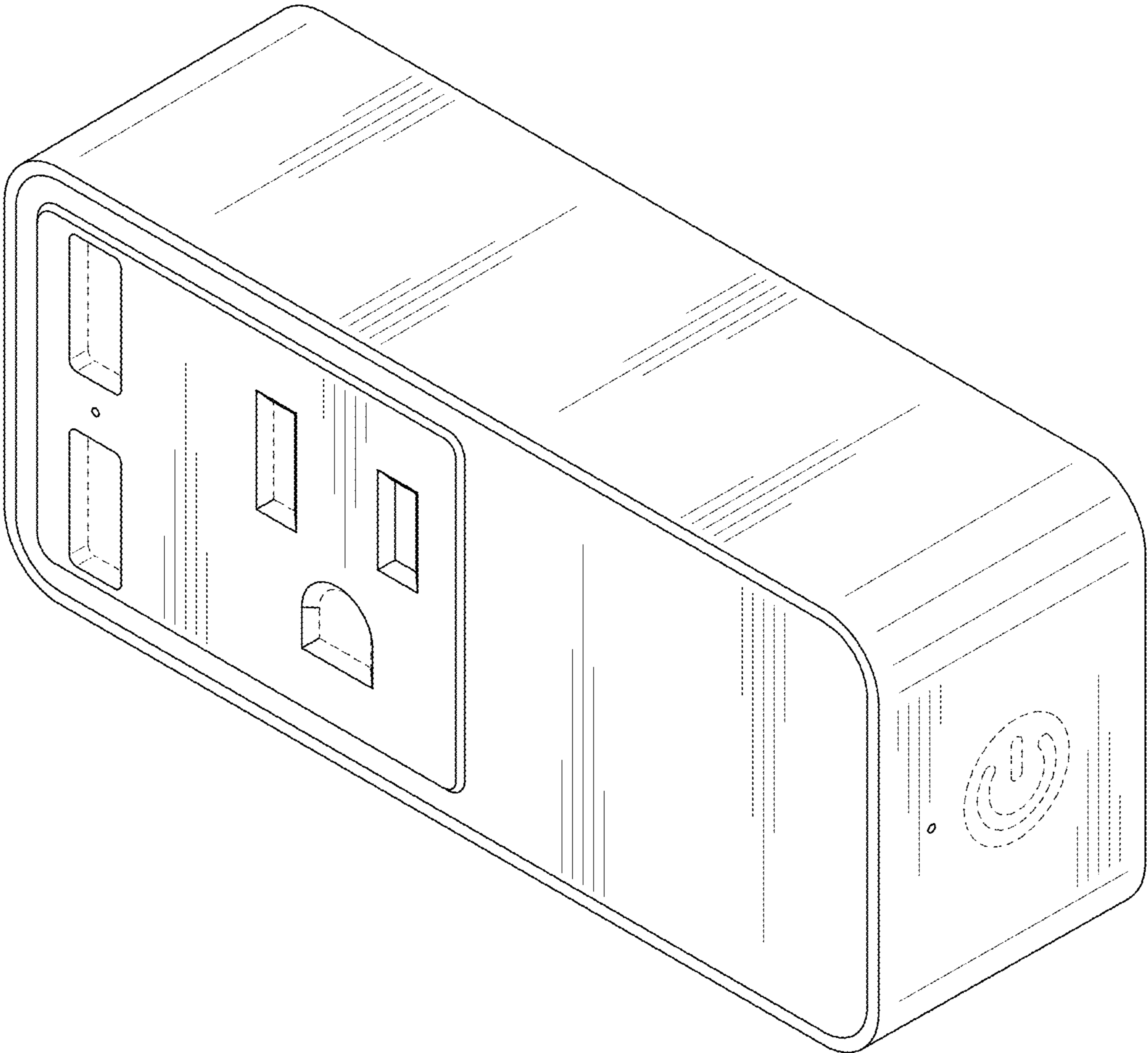


FIG. 1

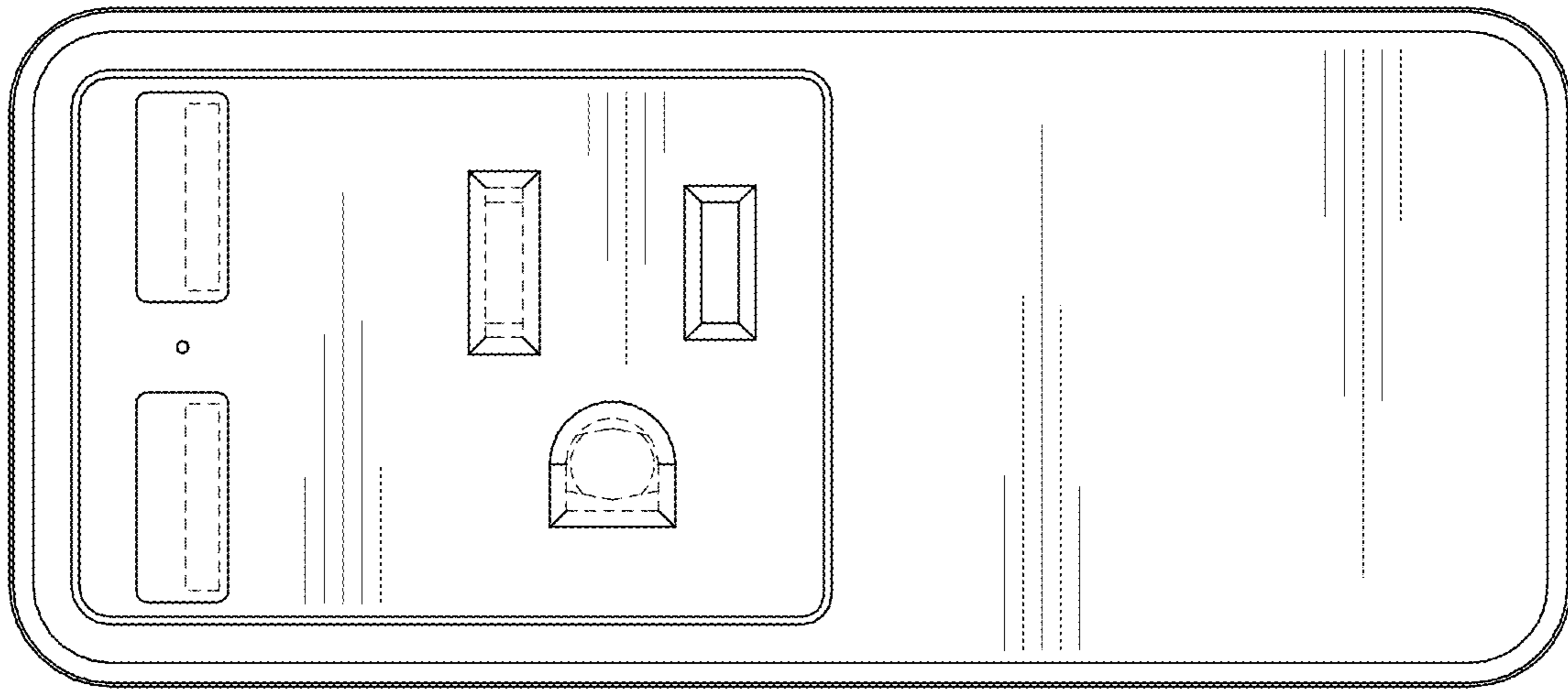


FIG. 2

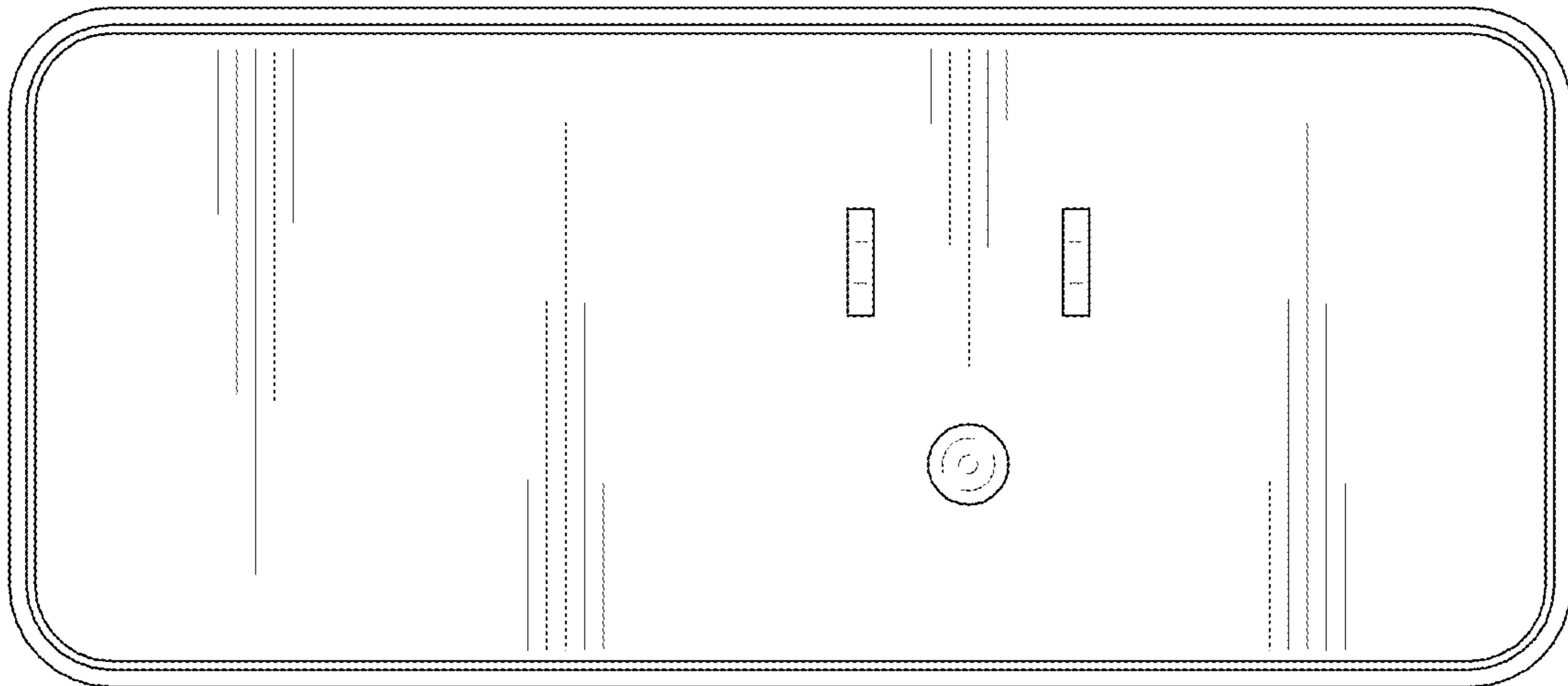


FIG. 3

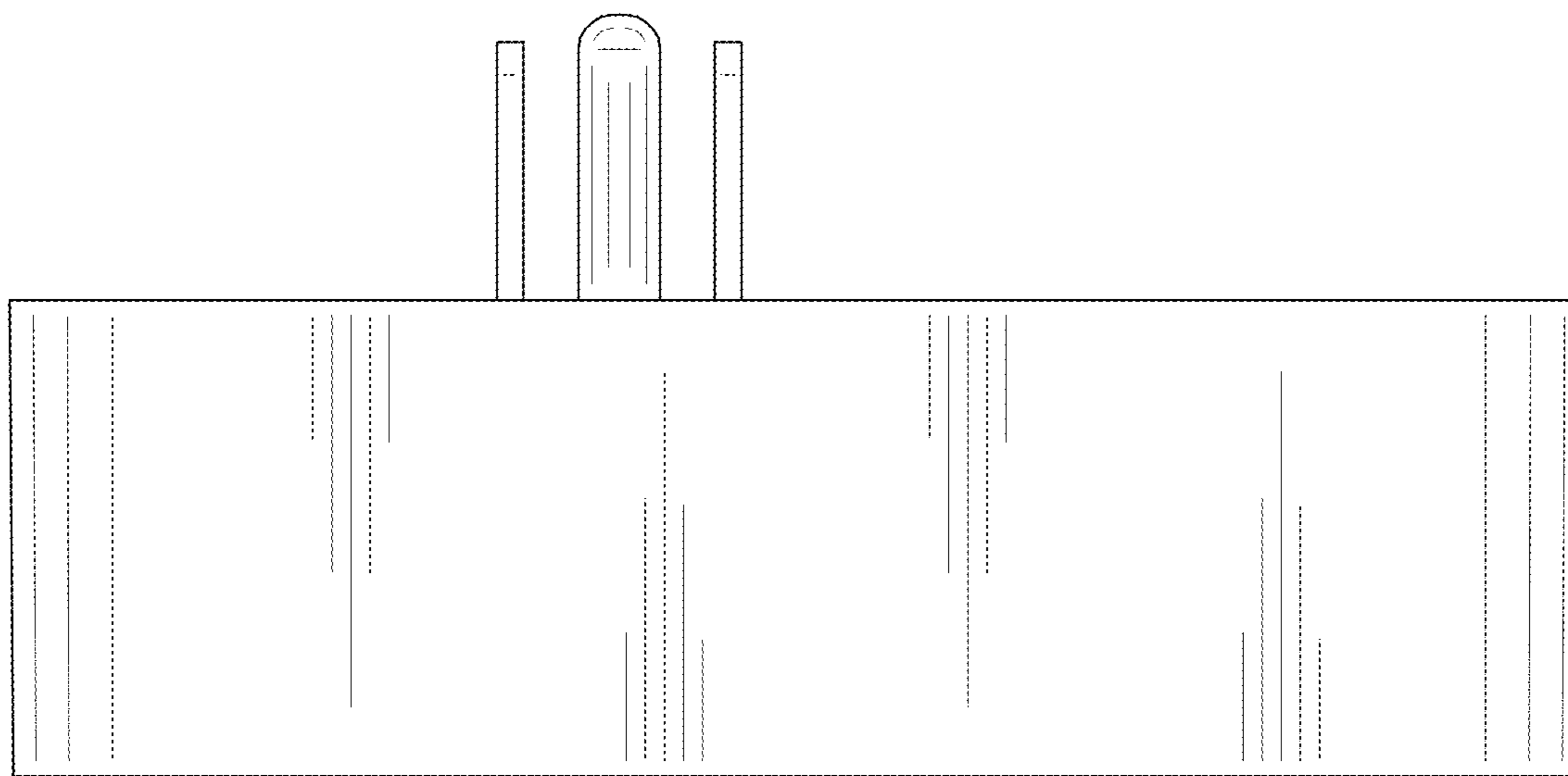


FIG. 4

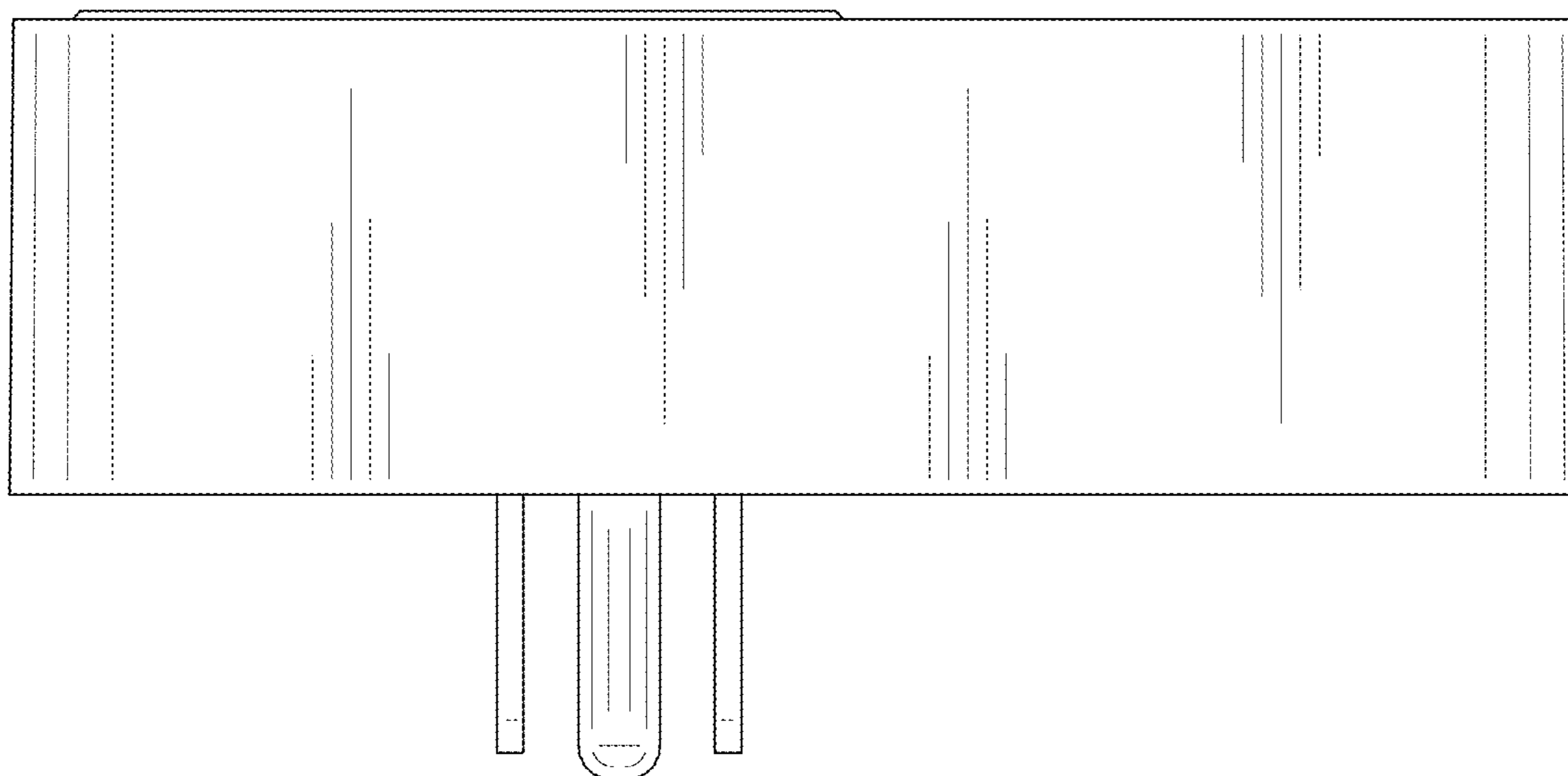


FIG. 5

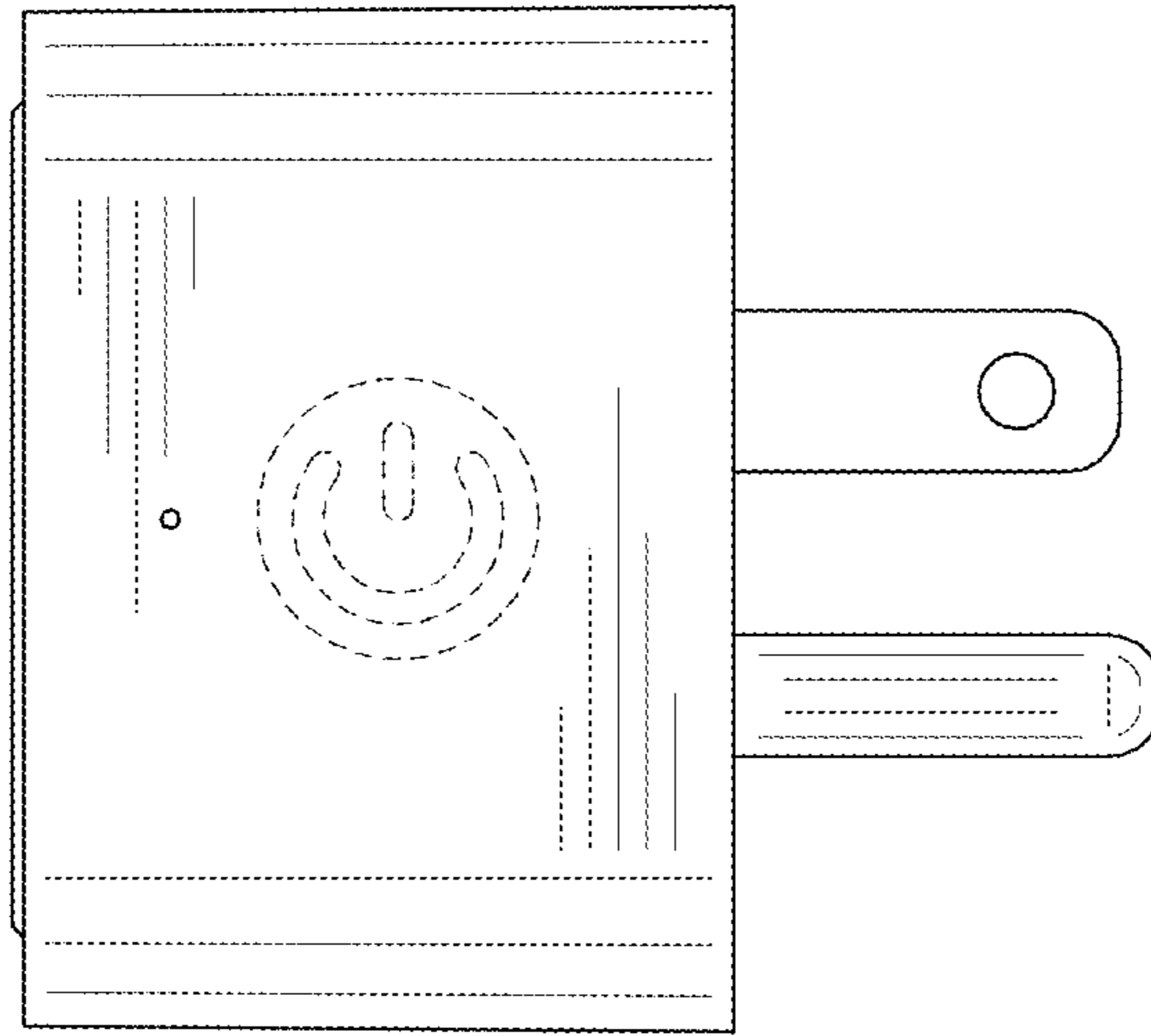


FIG. 6

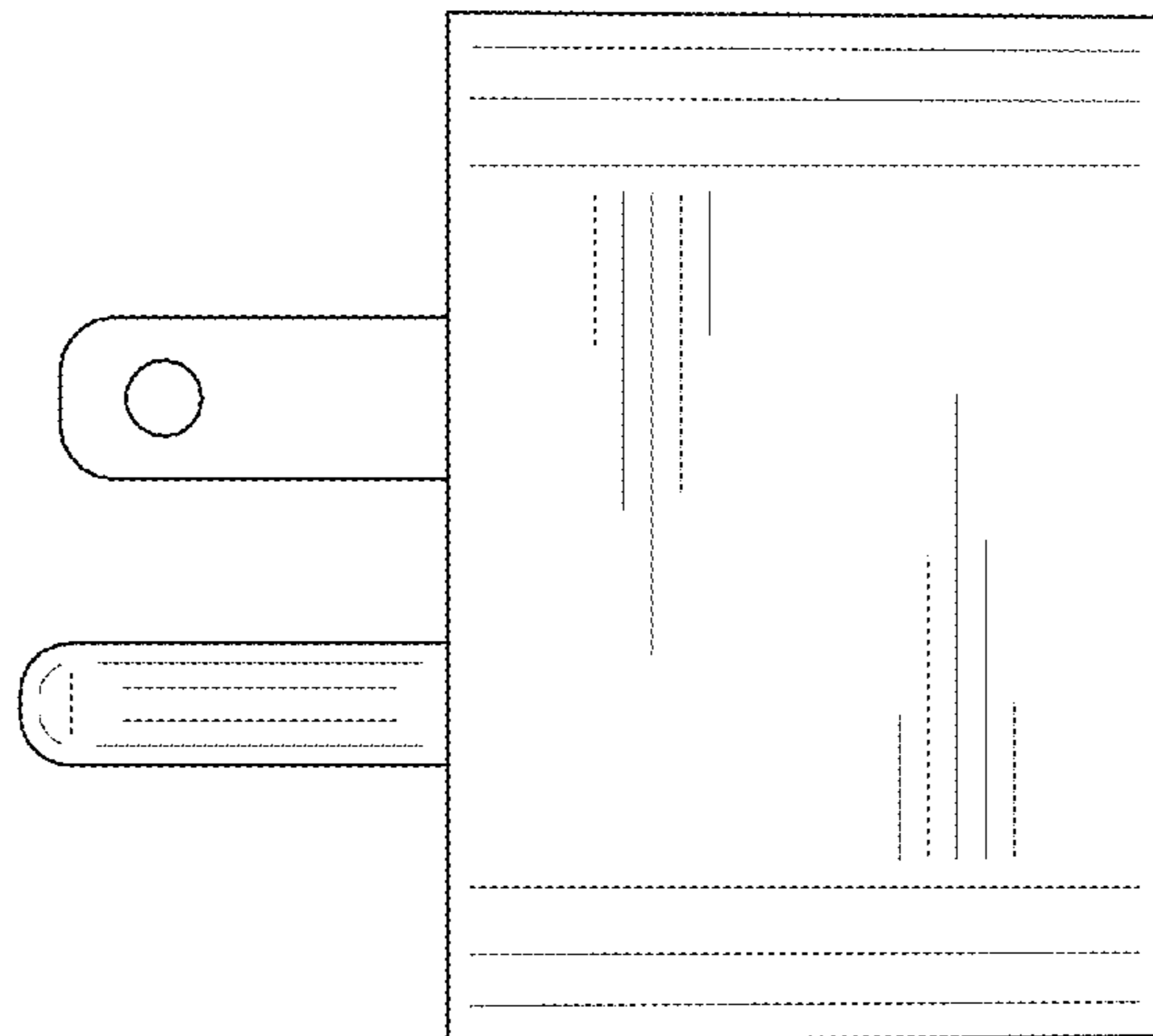


FIG. 7