



US00D872694S

(12) **United States Design Patent**
Ishiguro et al.

(10) **Patent No.:** **US D872,694 S**
(45) **Date of Patent:** **** Jan. 14, 2020**

(54) **CONNECTOR**

(71) Applicant: **Japan Aviation Electronics Industry, Limited**, Tokyo (JP)

(72) Inventors: **Masaki Ishiguro**, Tokyo (JP); **Yuichi Koreeda**, Tokyo (JP); **Hideto Shimazu**, Tokyo (JP)

(73) Assignee: **JAPAN AVIATION ELECTRONICS INDUSTRY, LIMITED**, Tokyo (JP)

(**) Term: **15 Years**

(21) Appl. No.: **29/656,725**

(22) Filed: **Jul. 16, 2018**

(30) **Foreign Application Priority Data**

Jan. 24, 2018 (JP) 2018-001303

(51) **LOC (12) Cl.** **13-03**

(52) **U.S. Cl.**
USPC **D13/133**

(58) **Field of Classification Search**
USPC D13/154, 155, 133, 153, 147
CPC G02B 6/4261; G02B 6/4277
See application file for complete search history.

(56) **References Cited**

U.S. PATENT DOCUMENTS

D564,966 S *	3/2008	Shifris	D13/133
D744,954 S *	12/2015	Ishiguro	D13/147
D751,505 S *	3/2016	Katagiyama	D13/133
D754,073 S *	4/2016	Katagiyama	D13/133
D820,210 S *	6/2018	Barrefelt	D13/133
D820,791 S *	6/2018	Takeda	D13/154
D836,070 S *	12/2018	Barrefelt	D13/133
D843,951 S *	3/2019	Lim	D13/154

D847,748 S *	5/2019	Barrefelt	D13/133
D847,750 S *	5/2019	Barrefelt	D13/133
D847,751 S *	5/2019	Barrefelt	D13/133
D847,753 S *	5/2019	Barrefelt	D13/133
2018/0156995 A1 *	6/2018	Katagiyama	G02B 6/4277

FOREIGN PATENT DOCUMENTS

JP	D1609700	*	7/2018
JP	D1626347	*	3/2019

* cited by examiner

Primary Examiner — Bridget L Eland

(74) *Attorney, Agent, or Firm* — Manabu Kanesaka

(57) **CLAIM**

The ornamental design for a connector, as shown and described.

DESCRIPTION

FIG. 1 is a front elevational view of a connector showing our new design;

FIG. 2 is a rear elevational view thereof;

FIG. 3 is a right side elevational view thereof;

FIG. 4 is a left side elevational view thereof;

FIG. 5 is a top plan view thereof;

FIG. 6 is a bottom plan view thereof;

FIG. 7 is a perspective view showing a front, top and right side thereof;

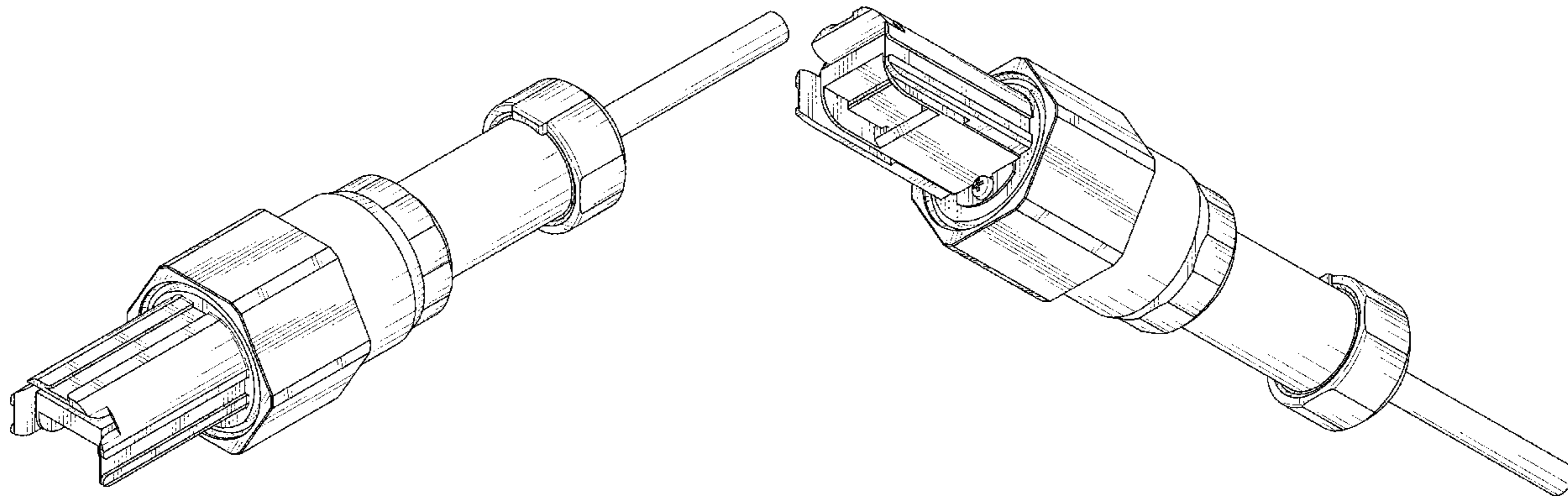
FIG. 8 is a perspective view showing a rear, bottom and left side thereof;

FIG. 9 is a perspective view showing a front, right and bottom side thereof; and,

FIG. 10 is a perspective view showing a rear, left and top side thereof.

The broken line showing of the connector is for the purpose of illustrating portions of the article and forms no part of the claimed design.

1 Claim, 7 Drawing Sheets



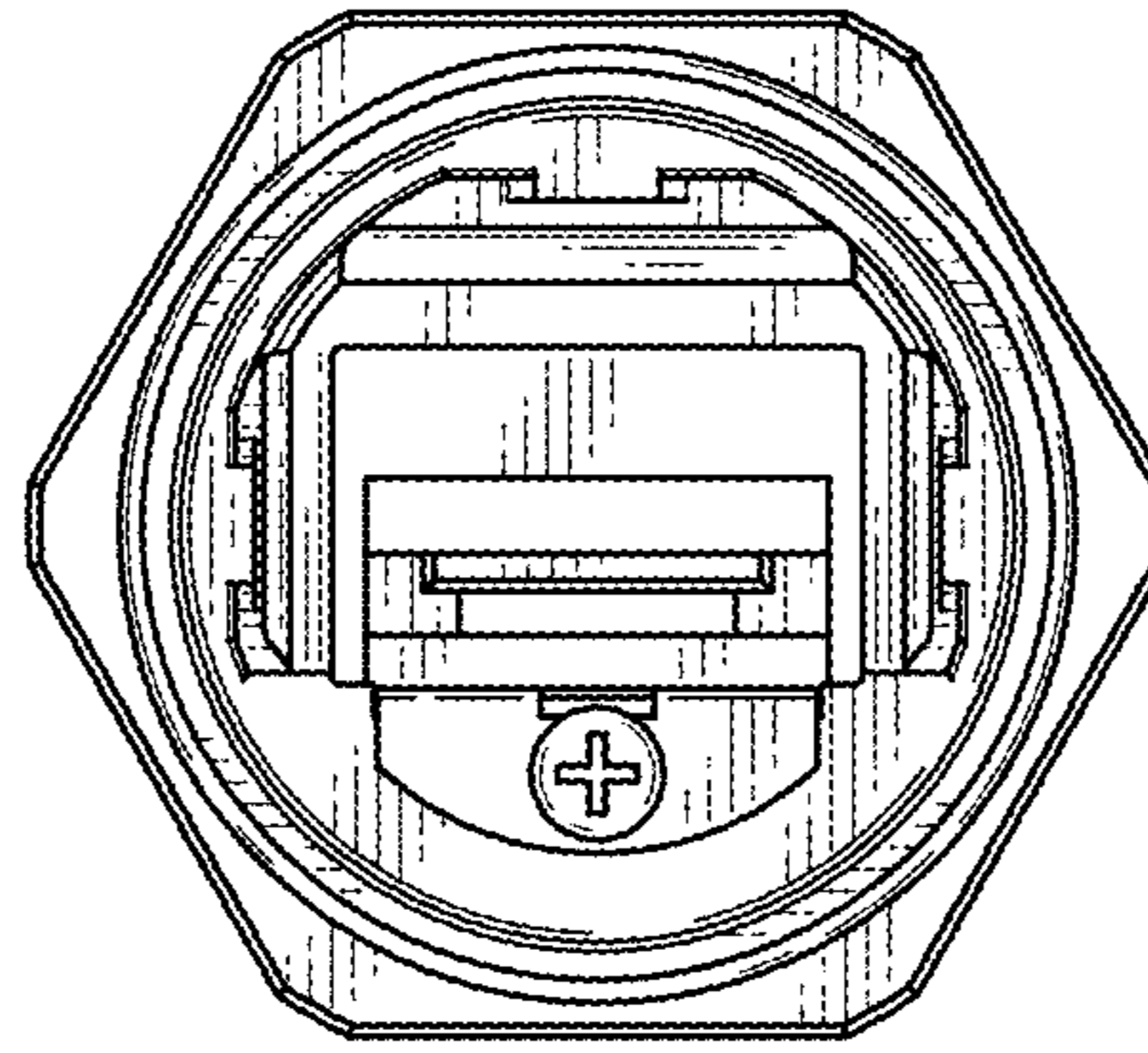


FIG. 1

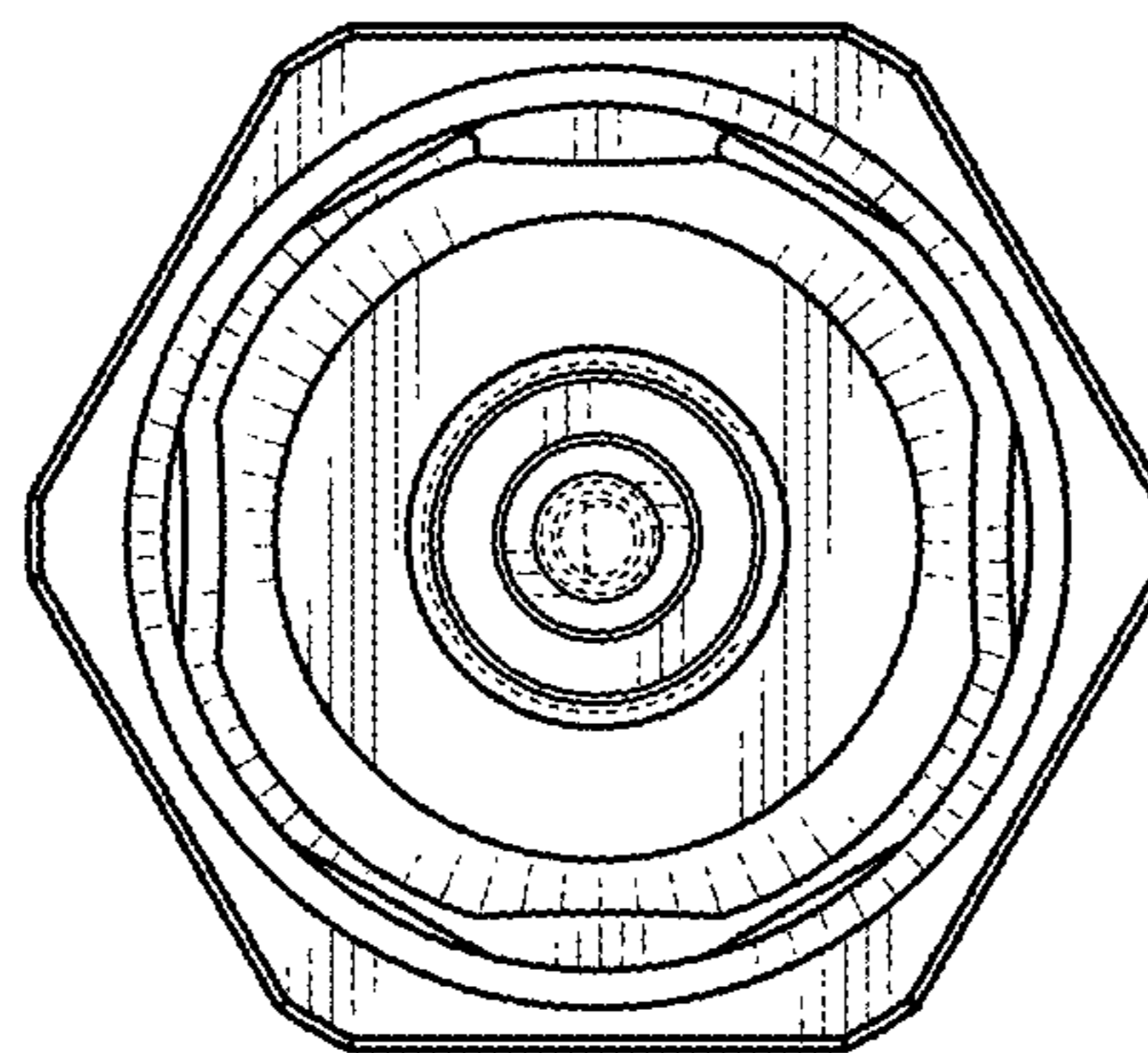


FIG. 2

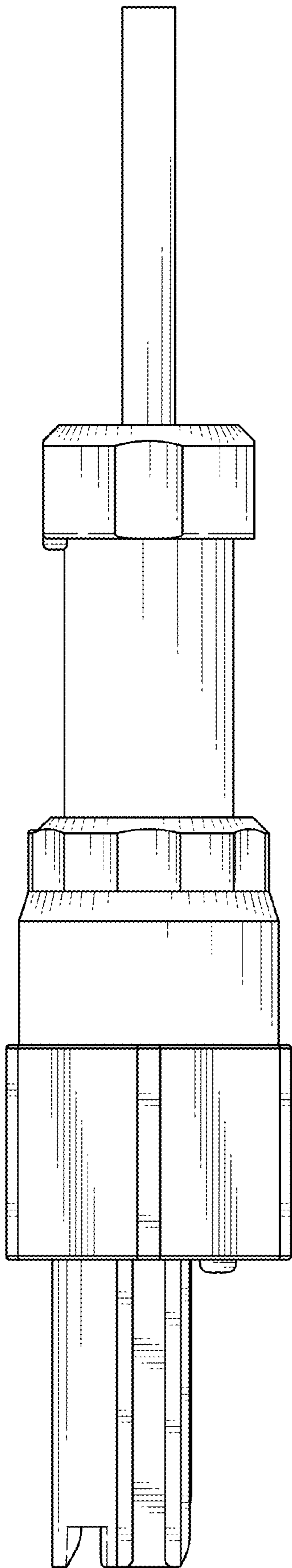


FIG. 3

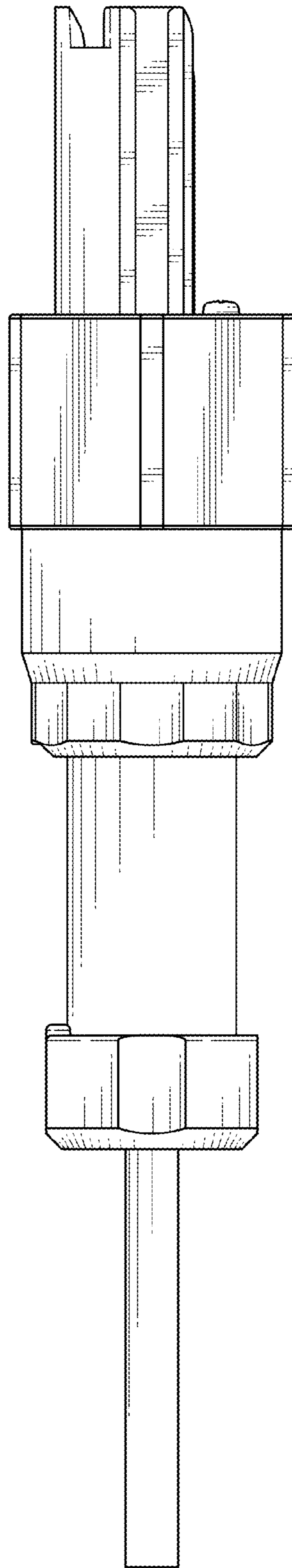


FIG. 4

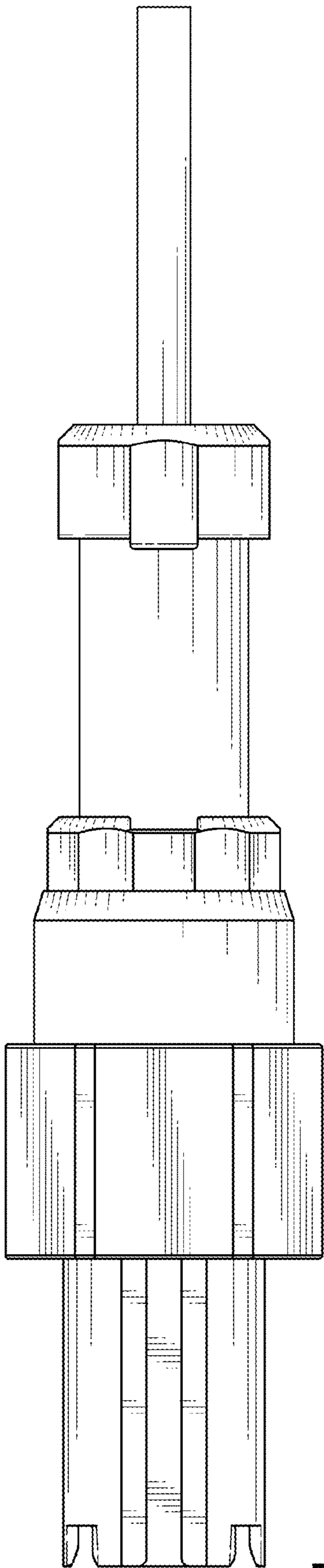


FIG. 5

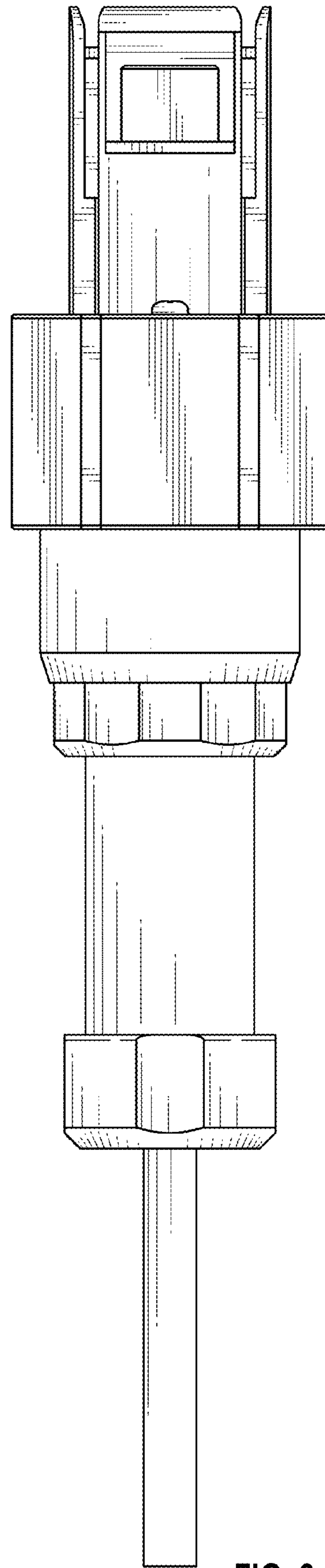


FIG. 6

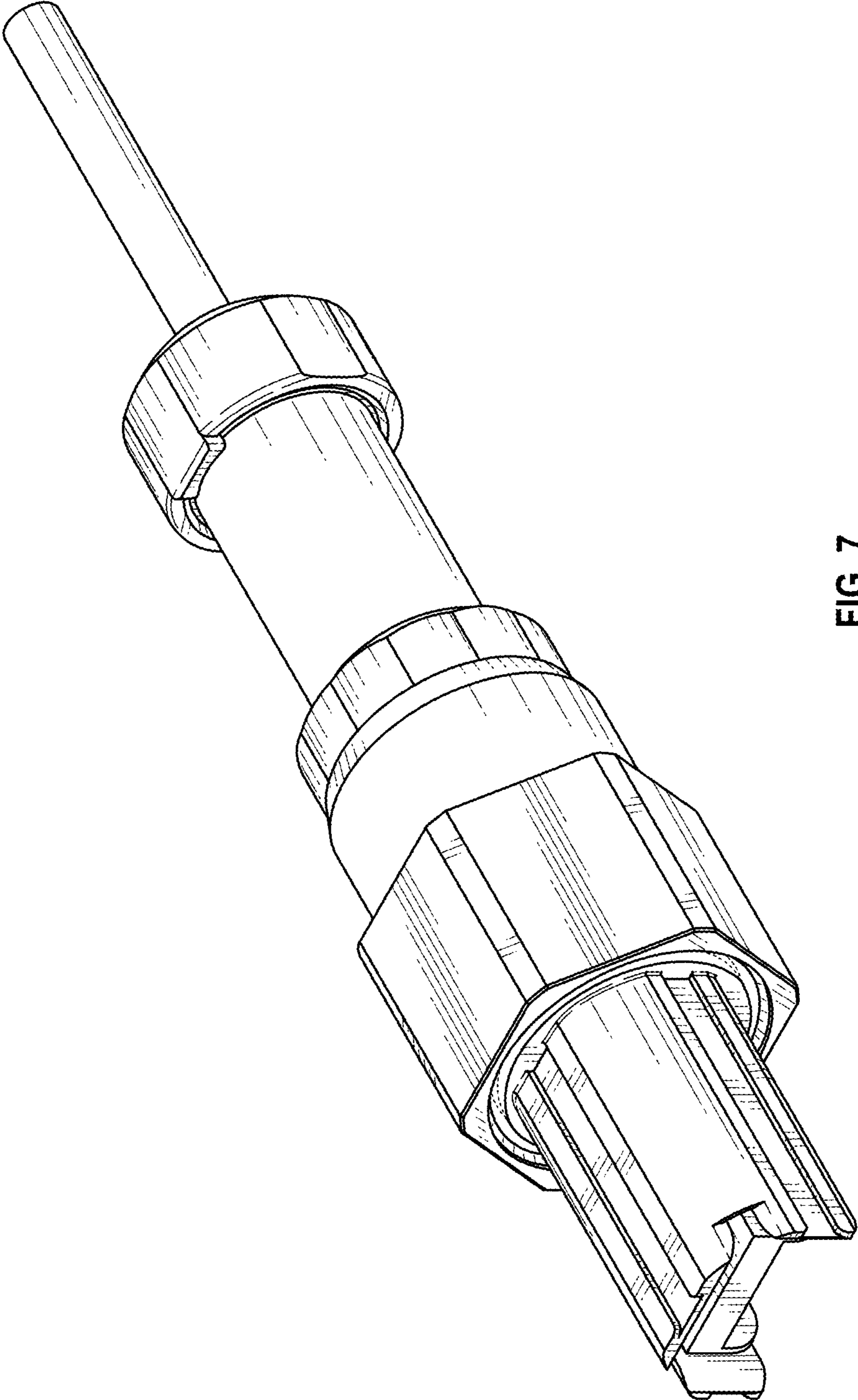


FIG. 7

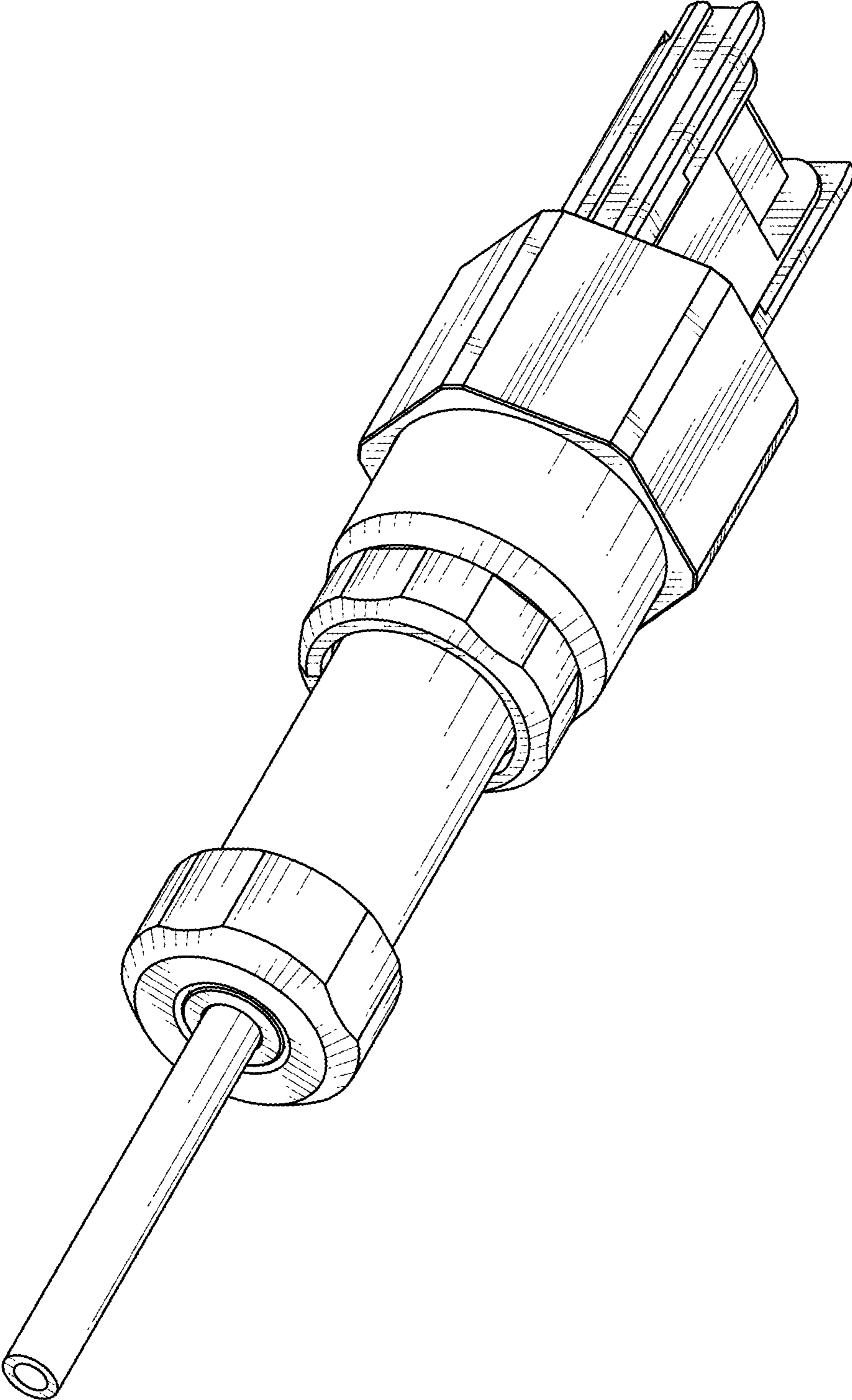


FIG. 8

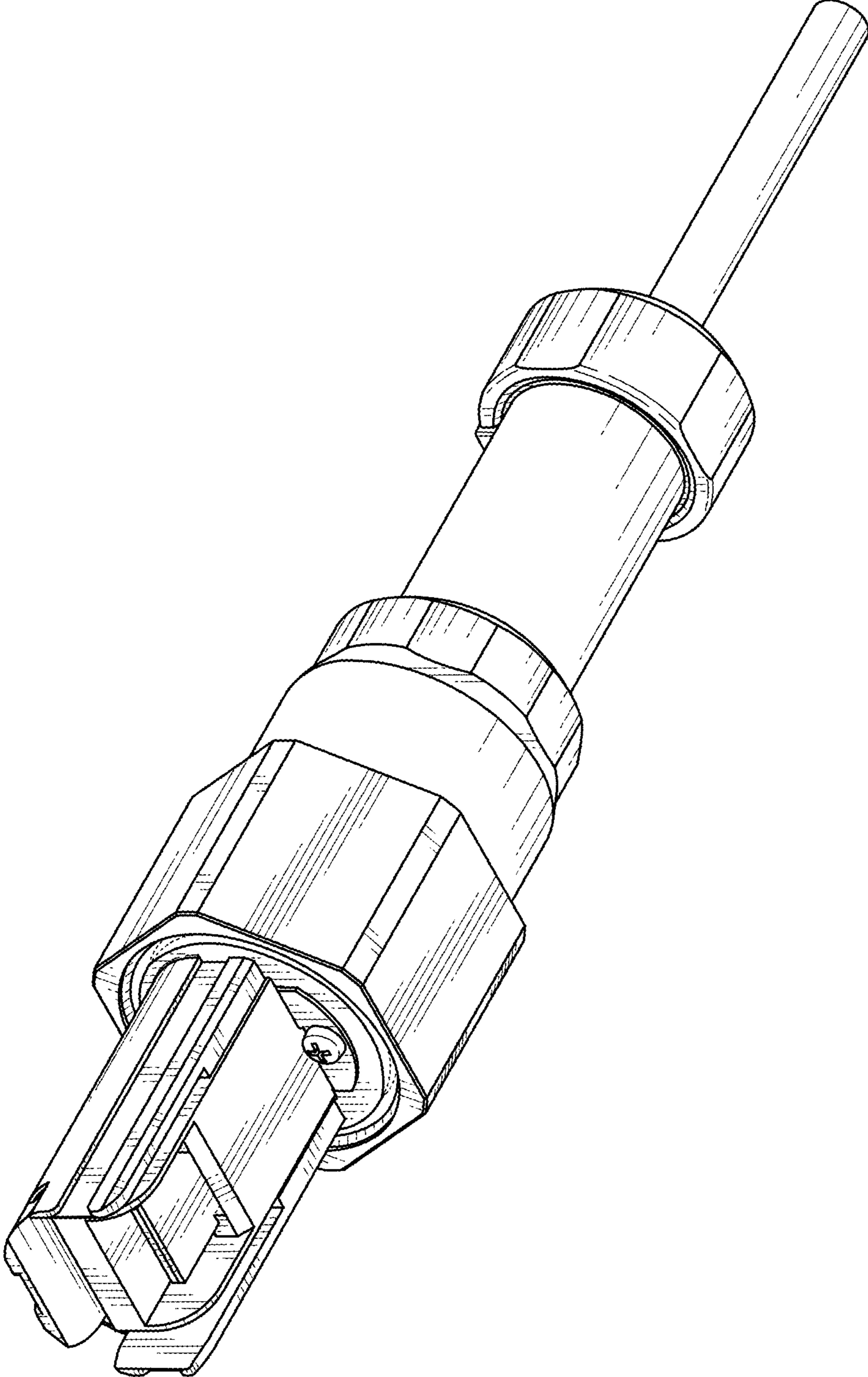


FIG. 9

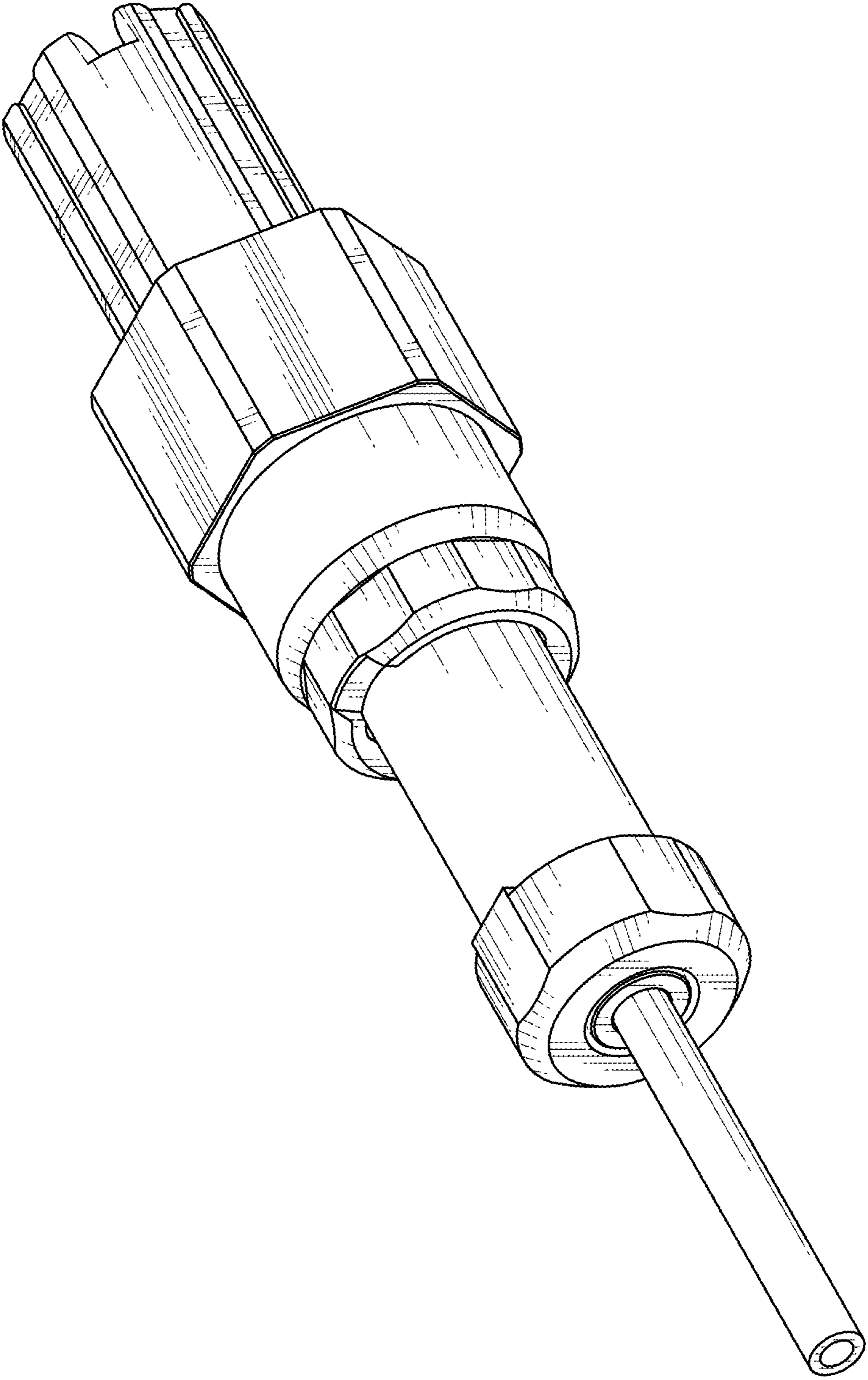


FIG. 10