



US00D872693S

(12) **United States Design Patent**
Watkins

(10) **Patent No.:** **US D872,693 S**

(45) **Date of Patent:** **** Jan. 14, 2020**

(54) **PUSH AND TURN COAXIAL CABLE CONNECTOR**

(71) Applicant: **PPC BROADBAND, INC.**, East Syracuse, NY (US)

(72) Inventor: **Harold John Watkins**, Chittenango, NY (US)

(73) Assignee: **PPC BROADBAND, INC.**, East Syracuse, NY (US)

(**) Term: **15 Years**

(21) Appl. No.: **29/632,060**

(22) Filed: **Jan. 4, 2018**

(51) **LOC (12) Cl.** **13-03**

(52) **U.S. Cl.**
USPC **D13/133**

(58) **Field of Classification Search**
USPC D13/147, 154; D15/146, 133
CPC H01R 13/6277; H01R 13/622; H01R 2103/00; H01R 24/525; H01R 9/05
See application file for complete search history.

(56) **References Cited**

U.S. PATENT DOCUMENTS

D367,036 S	2/1996	Lee	
D403,302 S	12/1998	Awbrey	
D444,452 S *	7/2001	Smith	D13/154
6,380,826 B1	4/2002	Palinkas	
D506,184 S	6/2005	Sirichai et al.	
7,189,091 B1	3/2007	Montena	
D543,154 S	5/2007	Suckle et al.	
D548,186 S	8/2007	Holliday	
D550,623 S *	9/2007	McCann	D13/133
D553,081 S	10/2007	Victor	
D556,146 S	11/2007	Victor	
D559,785 S *	1/2008	Tosetti	A61C 1/18 D13/133
D573,103 S	7/2008	Lee et al.	

D574,784 S *	8/2008	Chawgo	D13/133
D623,603 S	9/2010	Amidon	
D623,604 S	9/2010	Amidon	
8,167,647 B1	5/2012	Lee	
D662,060 S *	6/2012	Amidon	D13/151
D810,024 S *	2/2018	Watkins	D13/133
D810,025 S *	2/2018	Watkins	D13/133

(Continued)

OTHER PUBLICATIONS

Belkin 6 feet PureAV Digital Coaxial, posted at Amazon.com, posted on Apr. 12, 2007, [online], [site visited Sep. 13, 2017]. Available from Internet, <<https://www.amazon.com/Belkin-PureAV-Digital-Coaxial-Audio/-dp/B0001XGQV8>>.

(Continued)

Primary Examiner — Bridget L Eland

(74) *Attorney, Agent, or Firm* — Oliff PLC

(57) **CLAIM**

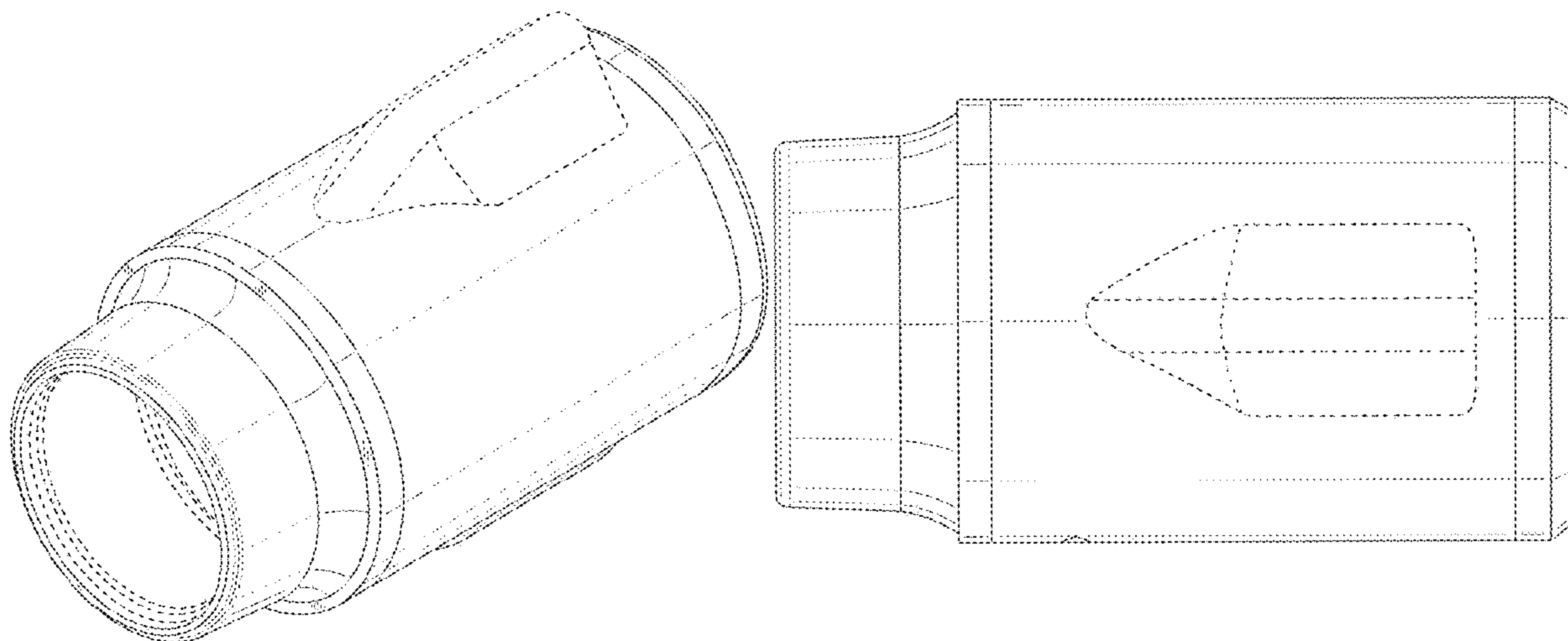
The ornamental design for a push and turn coaxial cable connector, as shown and described.

DESCRIPTION

FIG. 1 is a front, top, left-side view of the push and turn coaxial cable connector;
FIG. 2 is a left-side elevational view thereof;
FIG. 3 is a right-side elevational view thereof;
FIG. 4 is a bottom plan view thereof;
FIG. 5 is a top plan view thereof;
FIG. 6 is a front elevational view thereof; and,
FIG. 7 is a rear elevational view thereof.

The outermost broken lines immediately adjacent to the full line showing of the claimed design, encompassing unshaded regions, represent the bounds of the claimed design while all other broken lines are directed to environment and are for illustrative purposes only; the broken lines form no part of the claimed design.

1 Claim, 7 Drawing Sheets



(56)

References Cited

U.S. PATENT DOCUMENTS

D810,684	S	*	2/2018	Watkins	D13/133
D810,685	S	*	2/2018	Watkins	D13/133
D834,531	S	*	11/2018	Maroney	D13/154
D834,532	S	*	11/2018	Maroney	D13/154
D838,249	S	*	1/2019	Maroney	D13/154
D838,675	S	*	1/2019	Edmonds	D13/154

OTHER PUBLICATIONS

Mediabridge Ultra Series RCA, posted at Amazon.com, posted on Jul. 10, 2014, [online], [site visited Sep. 13, 2017]. Available from Internet, <<https://www.amazon.com/Mediabridge-ULTRA-RCA-Y-Adapter-Feet/dp/B00KCQ-SW3E>>.

A visual collection of standard and right angle F Type Coax connectors, posted at En.Wikipedia.org, posted on Oct. 14, 2015, [online], [site visited Sep. 13, 2017]. Available from Internet, <<https://en.wikipedia.org/wiki/F.sub.-connector#/media/File:Flex.sub.-Coax.sub.-Connector.sub.-F.sub.-Type.jpg>>.

PPC EX6XLWS, posted at Amazon.com, posted on Oct. 31, 2015, [online], [site visited Sep. 13, 2017]. Available from Internet, <<https://www.amazon.ca/PPC-EX6XLWS-AquaTight-Outdoor-Connectors/productions-reviews/B0161KUVK6>>.

* cited by examiner

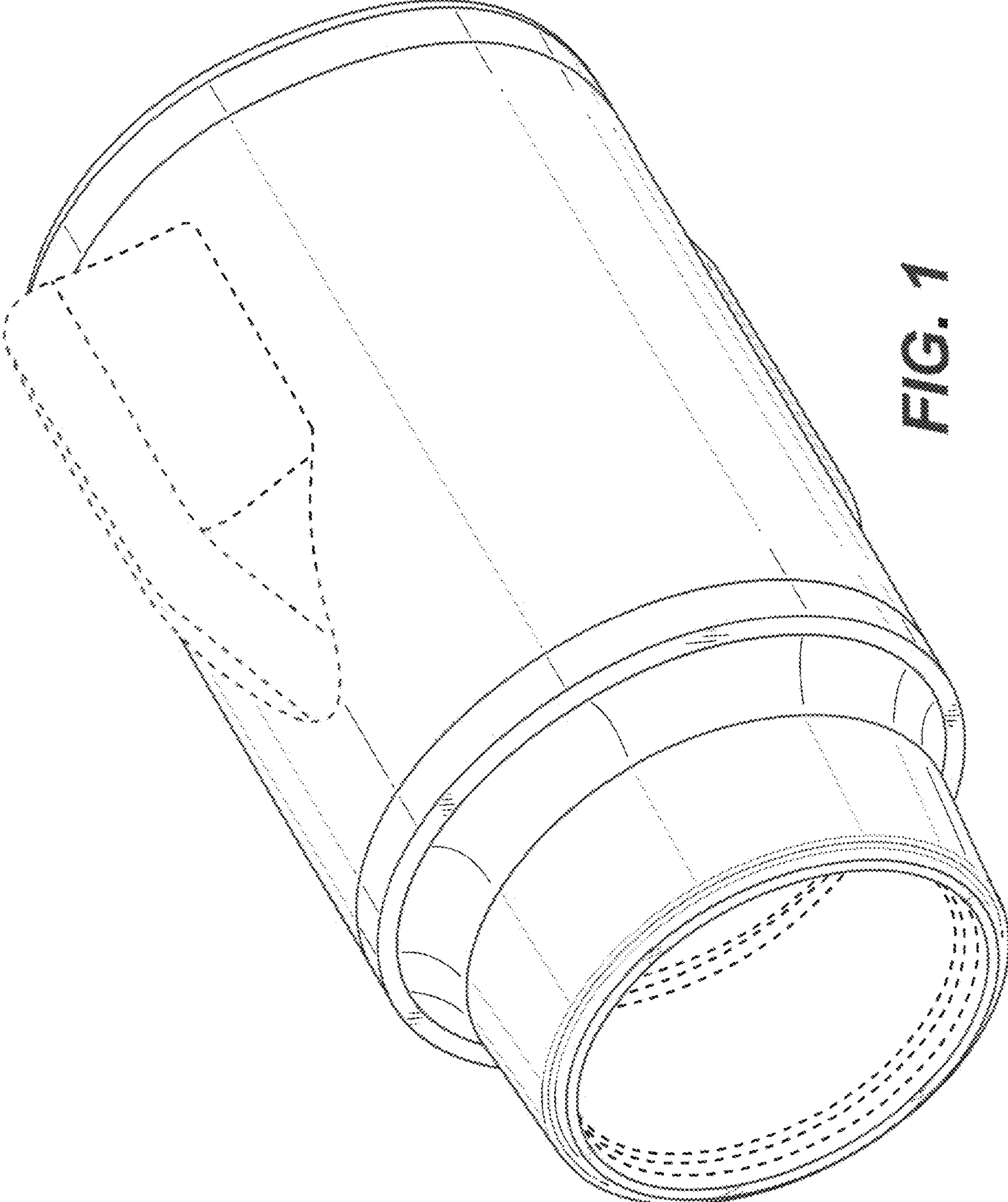


FIG. 1

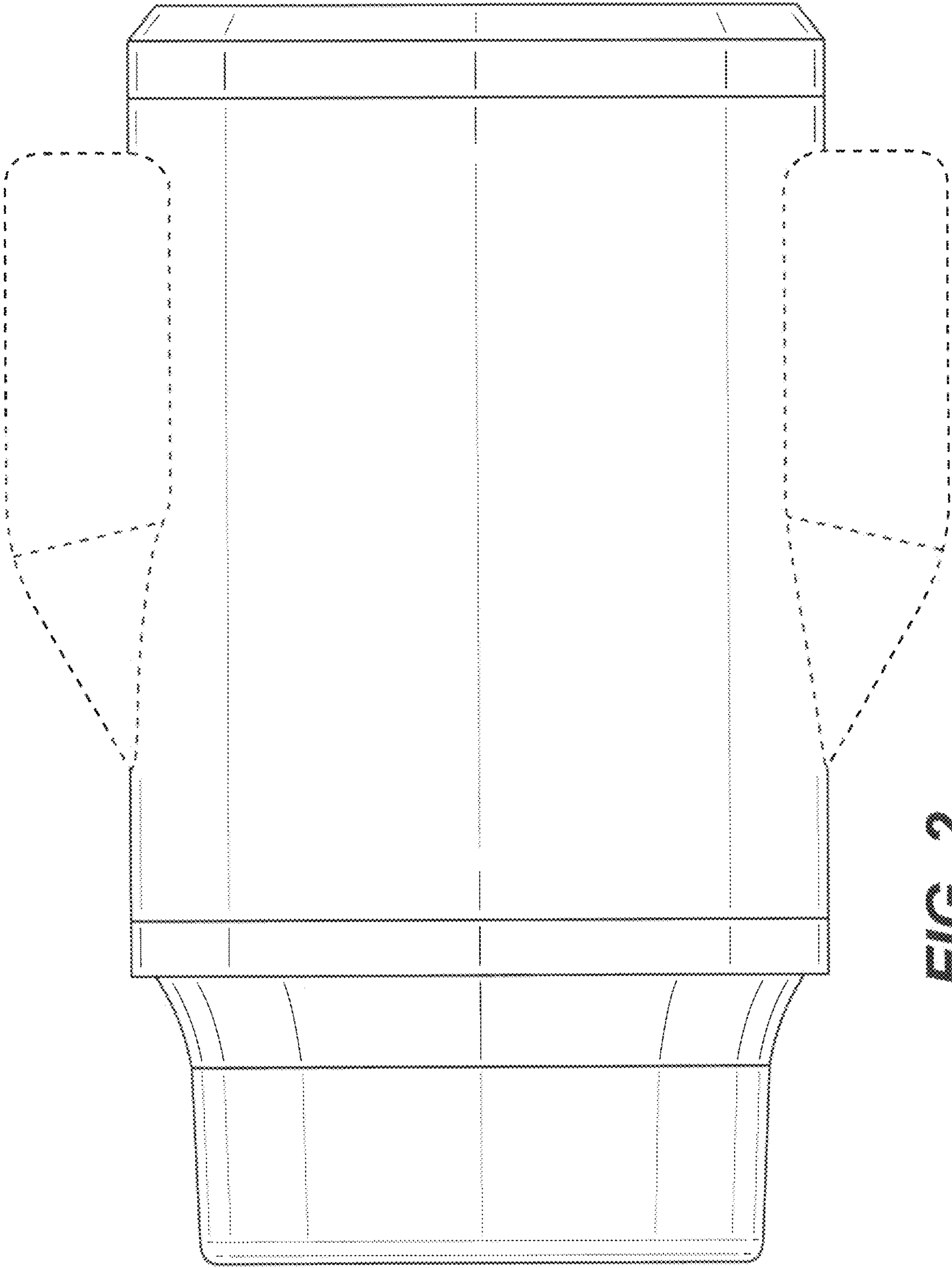


FIG. 2

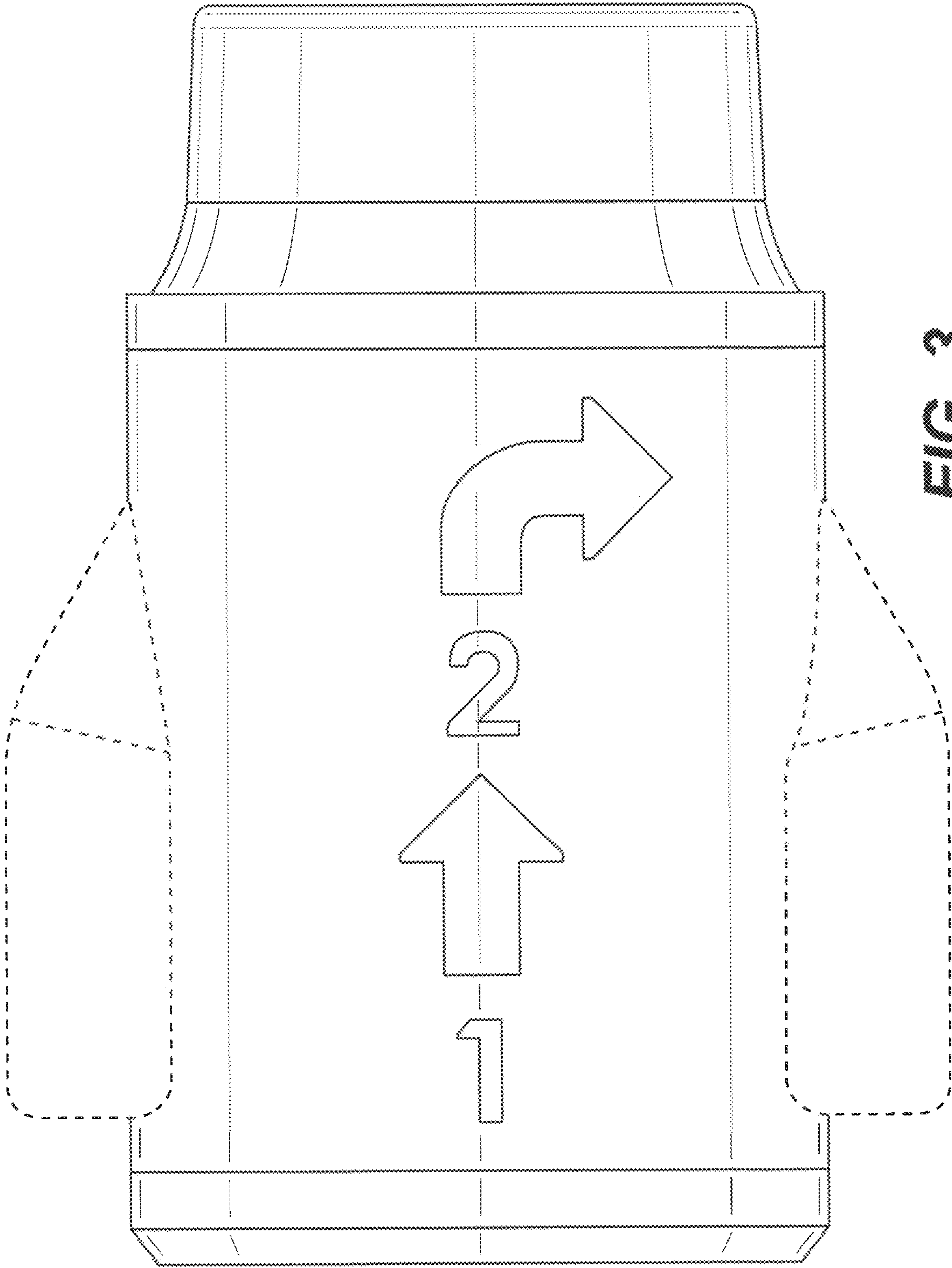


FIG. 3

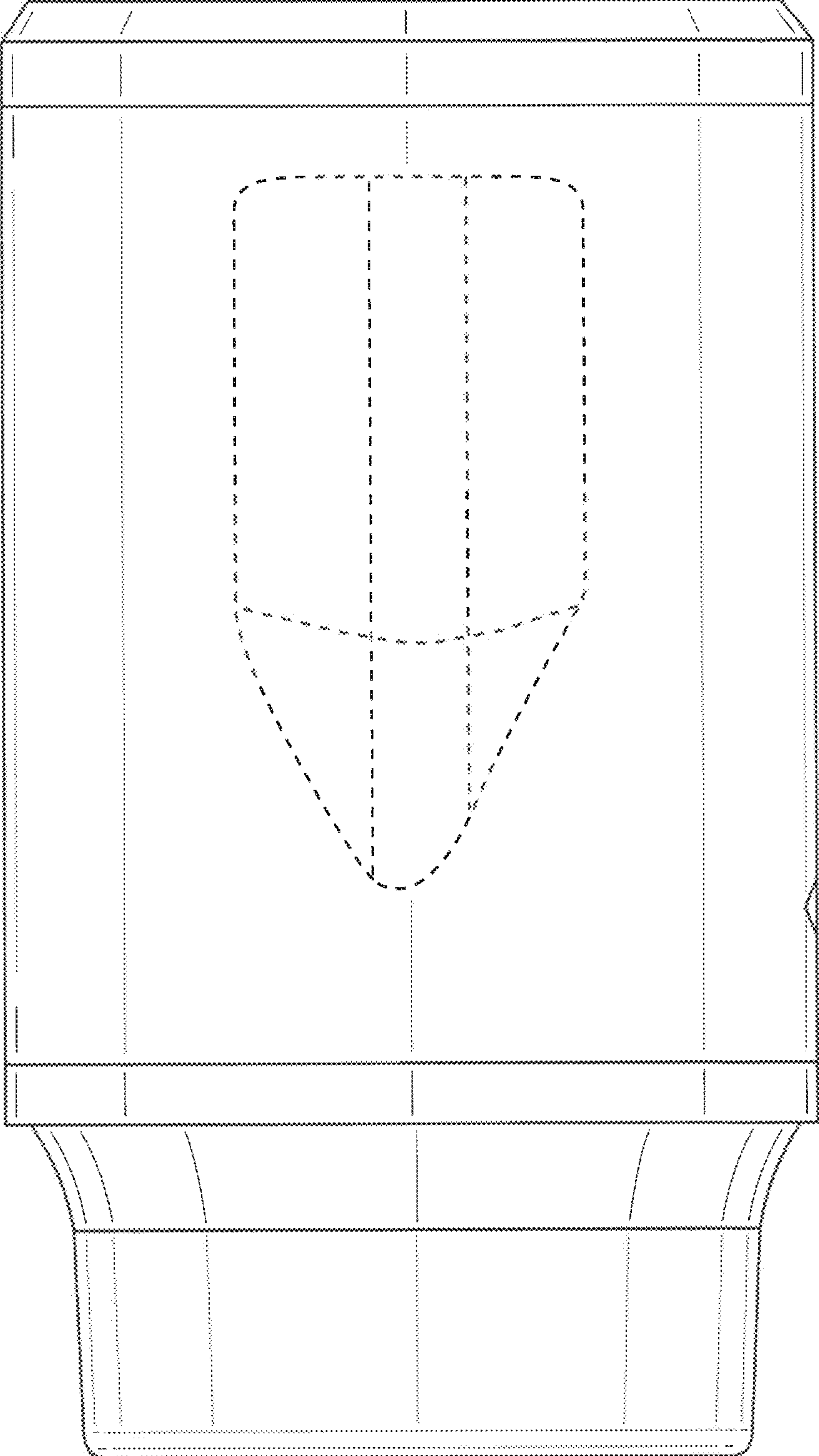


FIG. 4

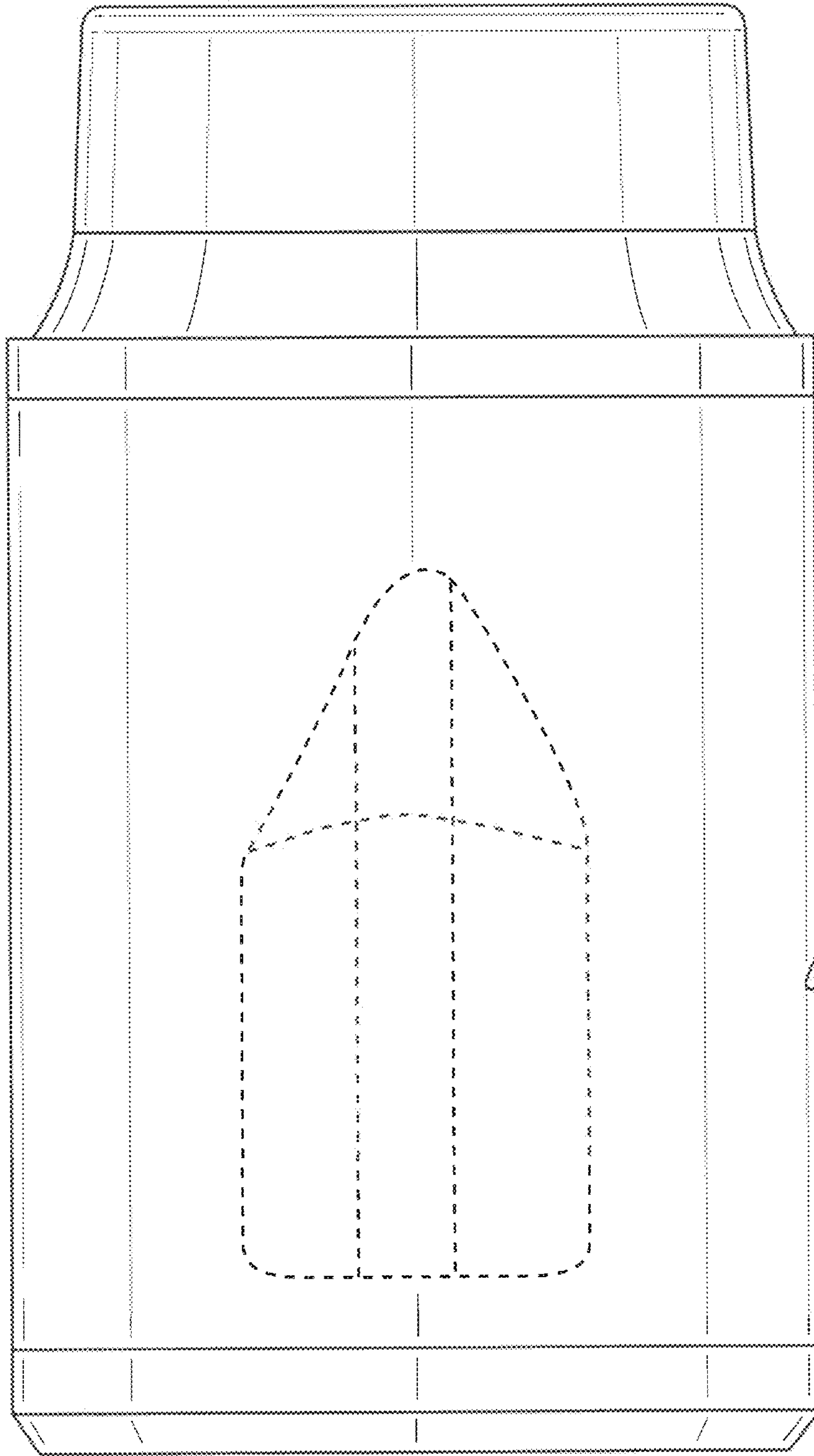


FIG. 5

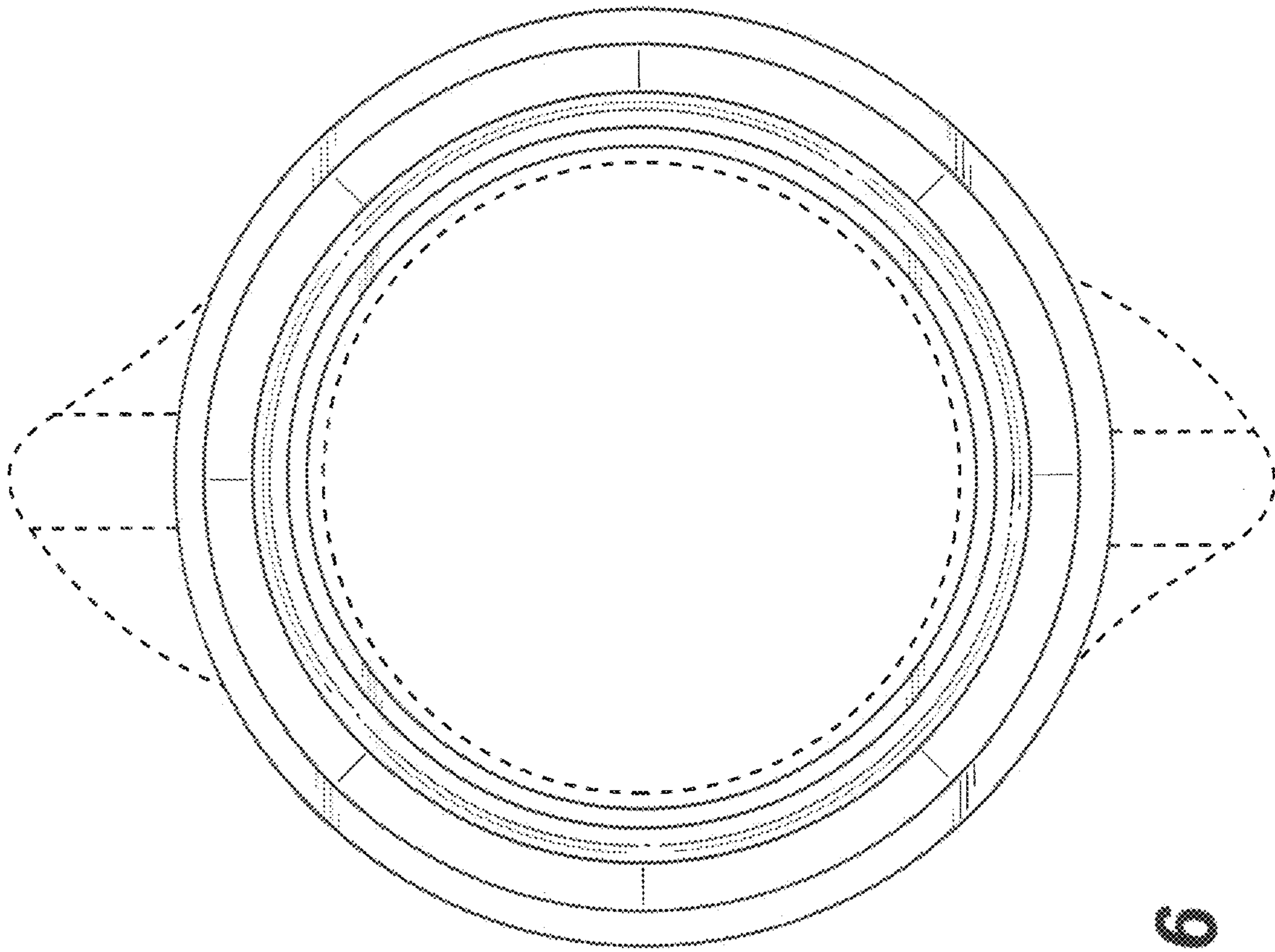


FIG. 6

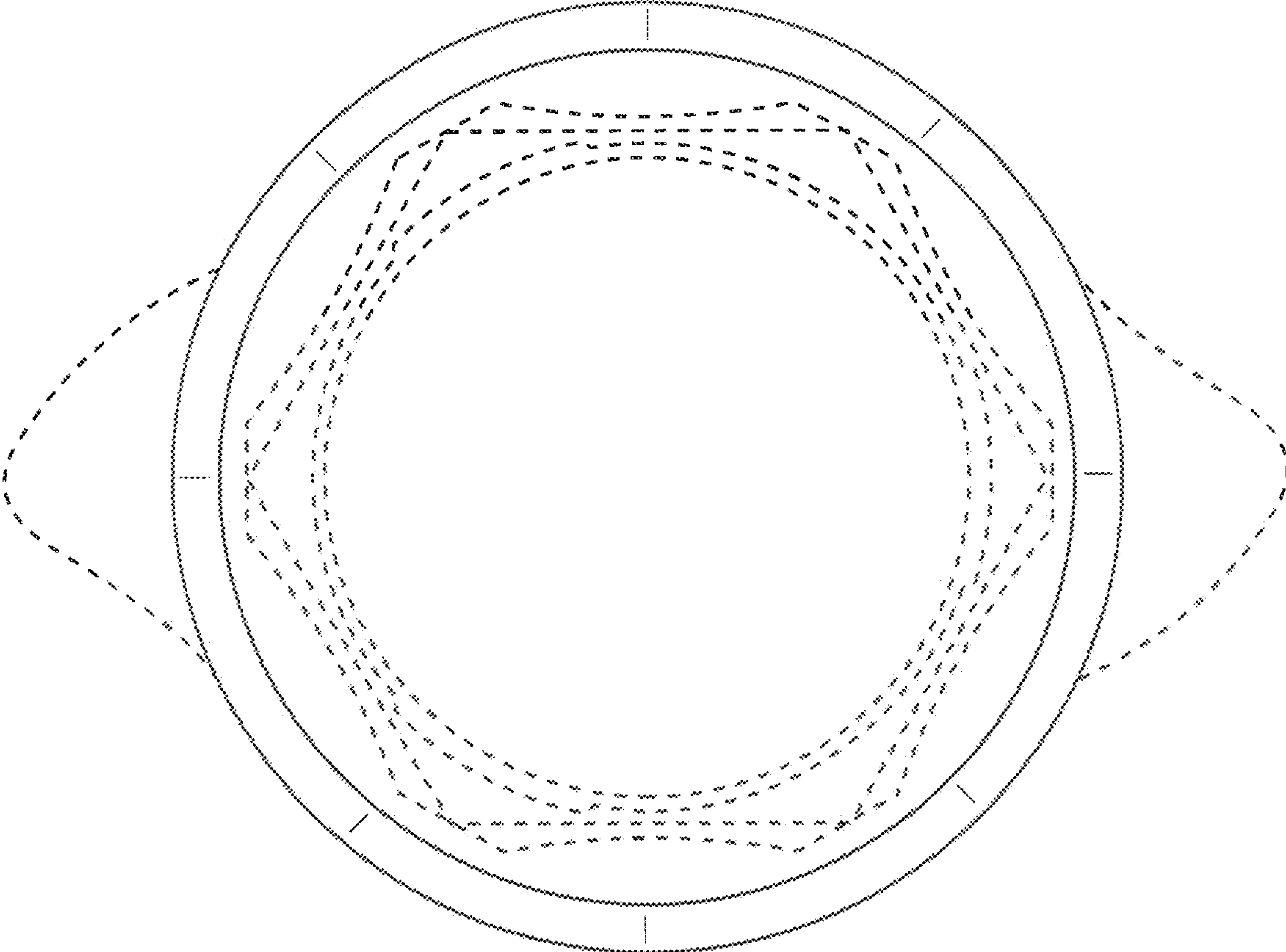


FIG. 7