



US00D872691S

(12) **United States Design Patent** (10) **Patent No.:** **US D872,691 S**  
**Liao** (45) **Date of Patent:** **\*\* Jan. 14, 2020**

(54) **WIRELESS CHARGER**

(71) Applicant: **Gopod Group Ltd.,**  
Shenzhen/Guangdong (CN)

(72) Inventor: **Zhuowen Liao,** Shenzhen (CN)

(73) Assignee: **Gopod Group Ltd.** (CN)

(\*\*) Term: **15 Years**

(21) Appl. No.: **29/672,936**

(22) Filed: **Dec. 11, 2018**

(30) **Foreign Application Priority Data**

Dec. 6, 2018 (CN) ..... 2018 3 0702382

(51) **LOC (12) Cl.** ..... **13-02**

(52) **U.S. Cl.**  
USPC ..... **D13/108**

(58) **Field of Classification Search**  
USPC ..... D13/103–110, 118, 119, 184, 199;  
D14/251, 253, 432, 434

CPC ..... Y02E 60/10; Y02E 60/12; Y02E 60/122;  
Y02E 60/124; Y02E 60/50; H01M 2/02;  
H01M 2/022; H01M 2/0202; H01M  
2/0207; H01M 2/0212; H01M 2/1061;  
H01M 2/1022; H01M 2/1055; H01M  
2/1066; H01M 2/105; H01M 2/20; H01M  
2/202; H01M 2/204; H01M 2/206; H01M  
10/44; H01M 10/46; H01M 10/465;  
H01M 10/482; H01M 2200/30; H01M  
2250/30; H01M 2250/40; H02J 7/00;  
H02J 7/0003; H02J 7/0011; H02J 7/0013;  
H02J 7/0054; H02J 7/0055; H02J 7/0057;  
H02J 2007/0062

See application file for complete search history.

(56) **References Cited**

**U.S. PATENT DOCUMENTS**

D557,624 S \* 12/2007 Coster ..... D10/70  
D611,408 S \* 3/2010 Ferber ..... D13/108

D627,718 S \* 11/2010 Houghton ..... D13/108  
D661,668 S \* 6/2012 Rose ..... D13/184  
D672,715 S \* 12/2012 Brunner ..... D13/110  
D682,199 S \* 5/2013 Rautiainen ..... D13/108  
D682,200 S \* 5/2013 Rautiainen ..... D13/108  
D700,571 S \* 3/2014 Guccione ..... D13/108  
D701,964 S \* 4/2014 Yoneta ..... D24/187  
D718,236 S \* 11/2014 Murray ..... D13/108  
D720,288 S \* 12/2014 Ko ..... D13/108  
D722,023 S \* 2/2015 Brunner ..... D13/110  
D731,967 S \* 6/2015 Tuhkanen ..... D13/108  
D735,131 S \* 7/2015 Akana ..... D13/108  
D735,132 S \* 7/2015 Donohue, II ..... D13/108  
D735,133 S \* 7/2015 Reishus ..... D13/108

(Continued)

*Primary Examiner* — Rosemary K Tarcza  
*Assistant Examiner* — Christy M Nemeth

(57) **CLAIM**

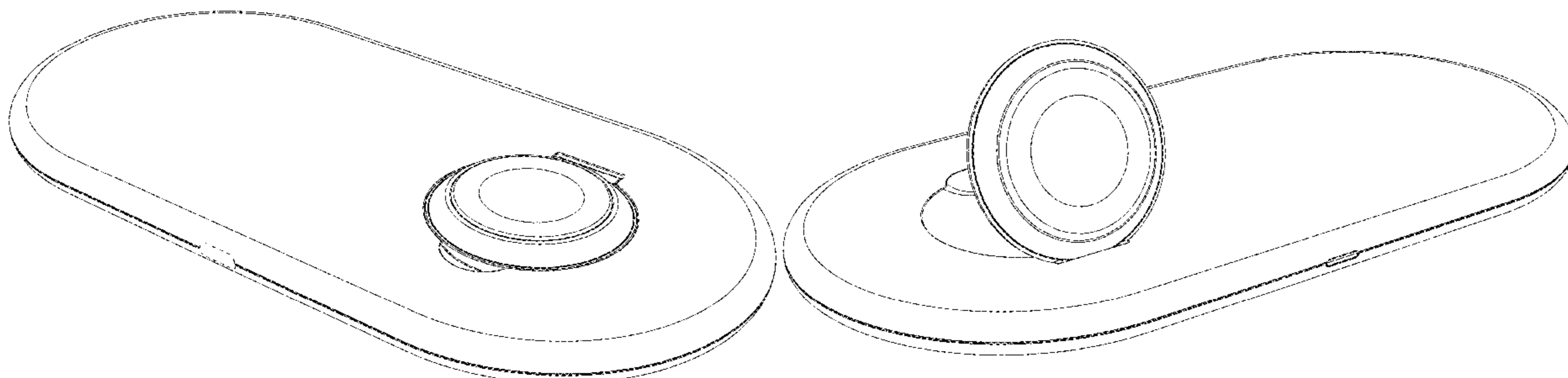
The ornamental design for a wireless charger, as shown and described.

**DESCRIPTION**

FIG. 1 is a top view of a wireless charger of my new design, shown in a closed configuration;  
FIG. 2 is a front view thereof;  
FIG. 3 is a rear view thereof;  
FIG. 4 is a bottom view thereof;  
FIG. 5 is a left side view thereof;  
FIG. 6 is a right side view thereof;  
FIG. 7 is a top, rear, left side perspective view thereof;  
FIG. 8 is a top, front, right side perspective view thereof;  
and,  
FIG. 9 is a top, rear, right side perspective view of the wireless charger of FIGS. 1-8, shown in an open configuration.

The broken lines shown in the drawings illustrate portions of the wireless charger that form no part of the claimed design.

**1 Claim, 9 Drawing Sheets**



(56)

References Cited

U.S. PATENT DOCUMENTS

D736,706 S *	8/2015	Huang	D13/108	D806,020 S *	12/2017	Lu	D13/107
D740,750 S *	10/2015	Mayden	D13/108	D807,318 S *	1/2018	Folkmann	D14/149
D741,256 S *	10/2015	Murphy-Reinhertz	D13/108	D808,901 S *	1/2018	Kelly	D13/107
D749,504 S *	2/2016	Jeong	D13/108	D817,268 S *	5/2018	Symons	D13/108
D758,305 S *	6/2016	Dorn	D13/107	D821,307 S *	6/2018	Calachan	D13/107
D772,813 S *	11/2016	Wahl	D13/108	D821,973 S *	7/2018	Maeda	D13/108
D774,455 S *	12/2016	Kim	D13/108	D826,151 S *	8/2018	Akana	D13/108
D777,103 S *	1/2017	Park	D13/108	D830,968 S *	10/2018	Wang	D13/107
D777,331 S *	1/2017	Jayalath	D14/344	D836,541 S *	12/2018	Lomeli	D13/107
D782,415 S *	3/2017	Zhang	D13/108	D839,188 S *	1/2019	Akana	D13/108
D782,973 S *	4/2017	Zhou	D13/108	D839,191 S *	1/2019	Akana	D13/108
D791,698 S *	7/2017	Kim	D13/108	D841,578 S *	2/2019	Kim	D13/108
D794,557 S *	8/2017	Kim	D13/108	D845,897 S *	4/2019	Kim	D13/108
D795,182 S *	8/2017	Akana	D13/108	D847,741 S *	5/2019	Hu	D13/108
D797,042 S *	9/2017	Miller	D13/107	D850,371 S *	6/2019	Yun	D13/108
D797,667 S *	9/2017	Park	D13/108	D850,372 S *	6/2019	Kong	D13/108
D797,668 S *	9/2017	Park	D13/108	D851,035 S *	6/2019	Hong	D13/108
D800,313 S *	10/2017	Chang	D24/167	D853,326 S *	7/2019	Jun	D13/108
D801,308 S *	10/2017	Ahn	D14/216	D855,567 S *	8/2019	Cai	D13/108
D801,309 S *	10/2017	Ahn	D14/216	D860,938 S *	9/2019	Lin	D13/108
				D861,599 S *	10/2019	Choi	D13/108
				D861,600 S *	10/2019	Choi	D13/108
				D861,602 S *	10/2019	Feng	D13/108

\* cited by examiner

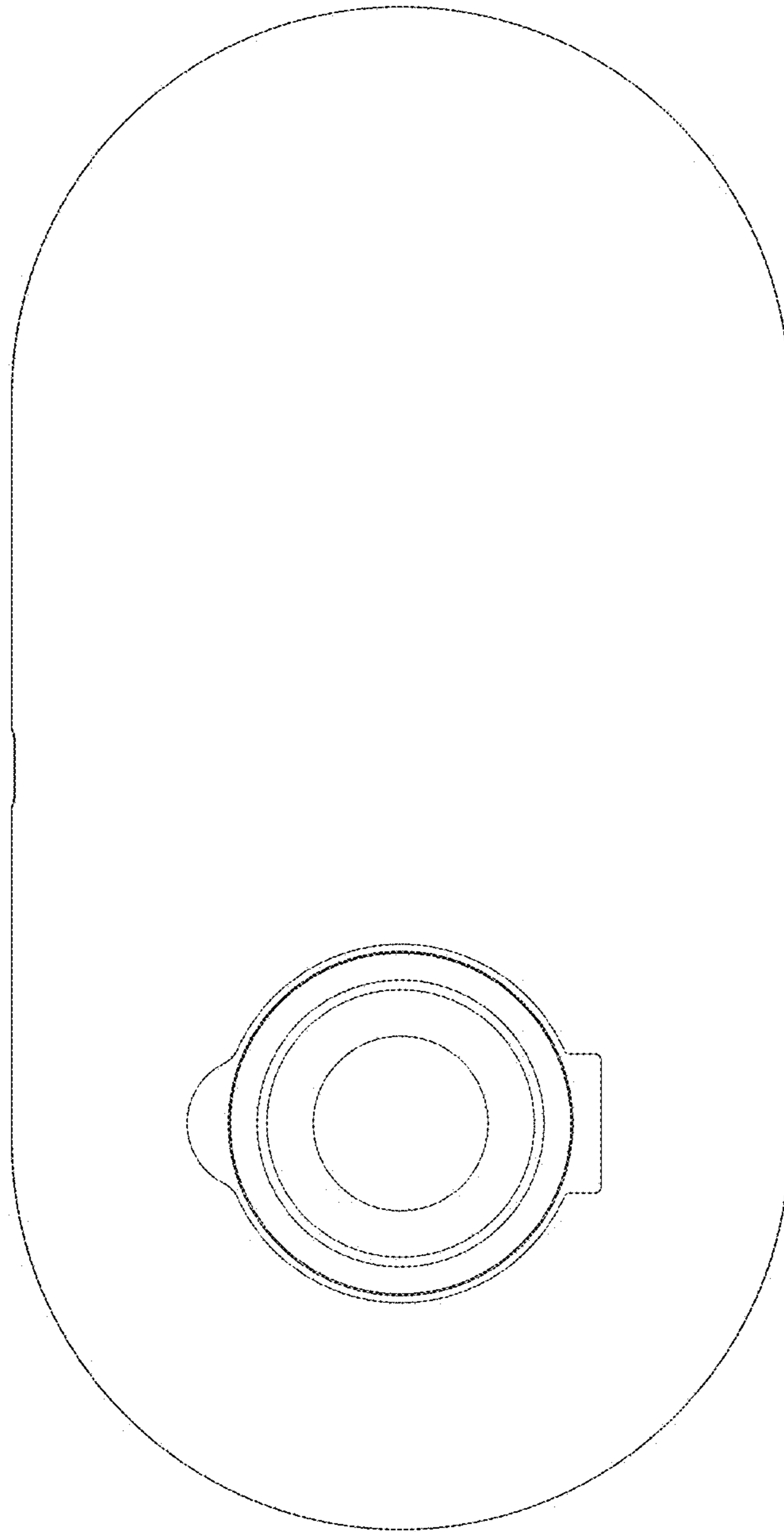


FIG. 1

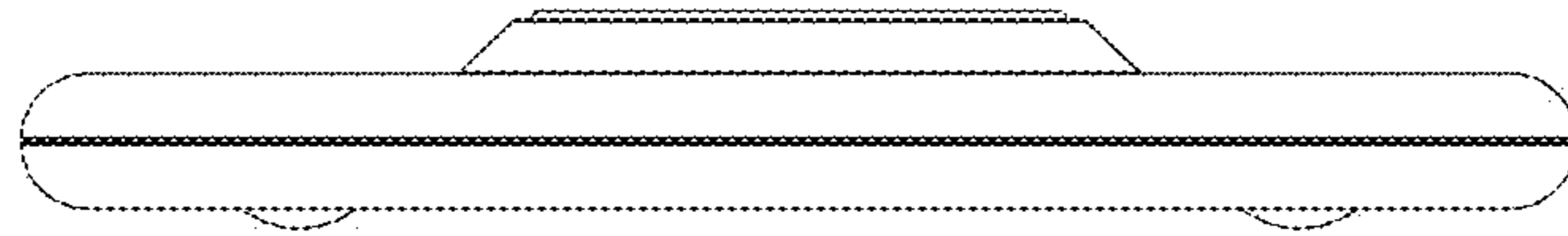


FIG. 2

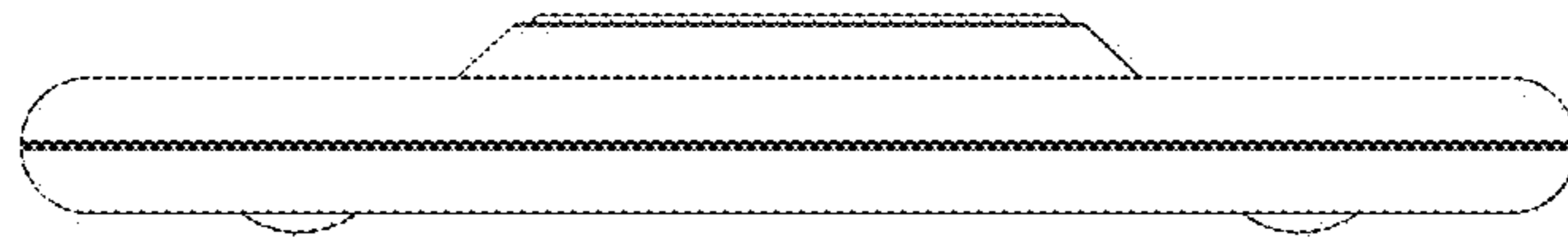


FIG. 3

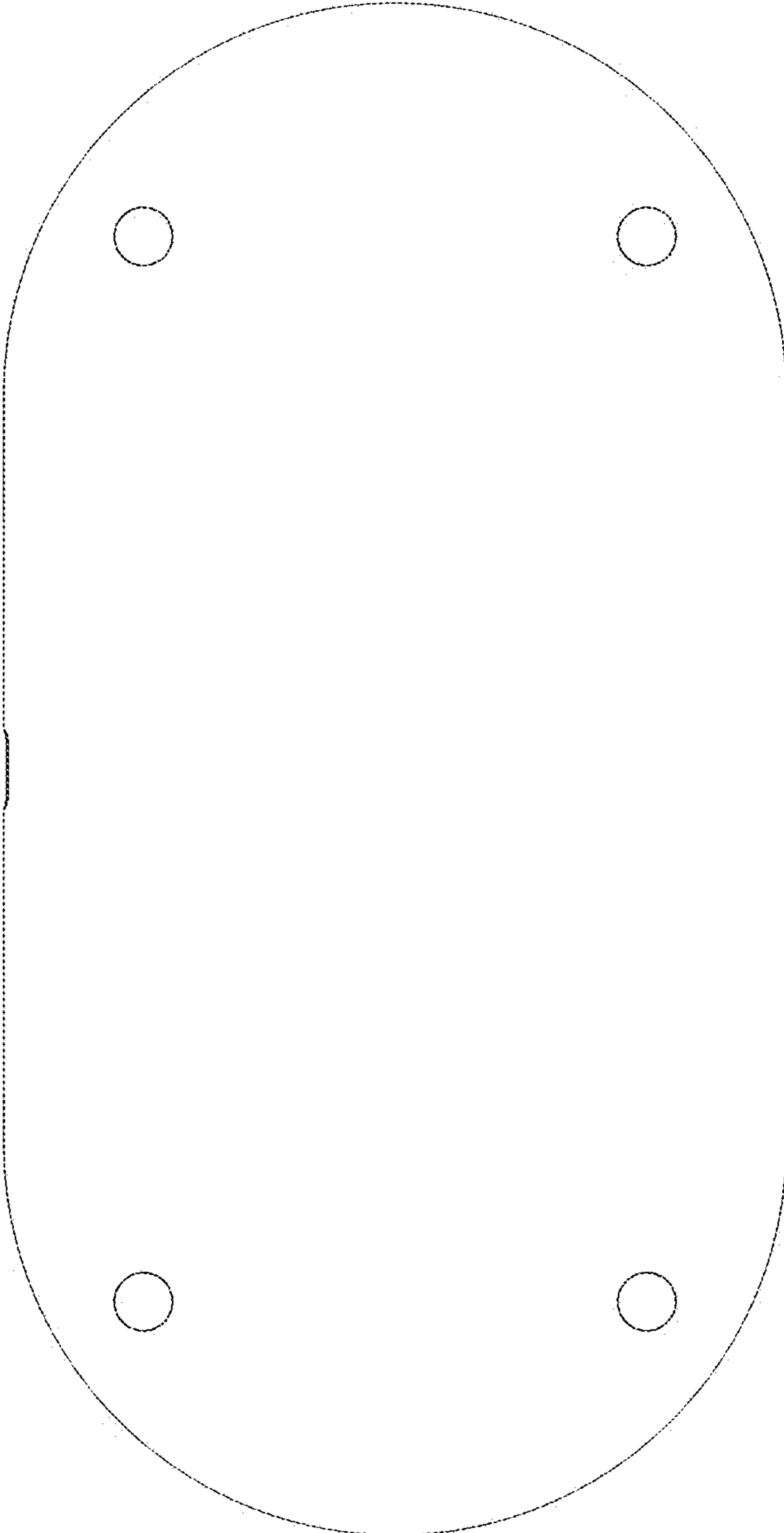


FIG. 4

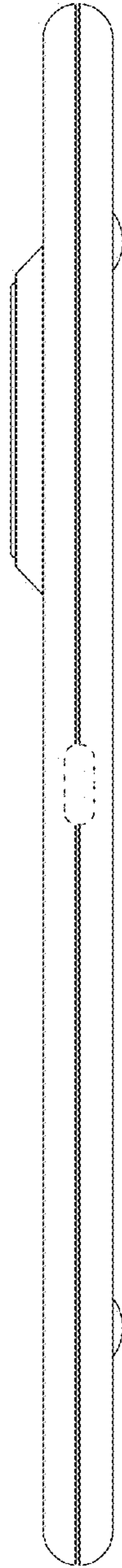


FIG. 5

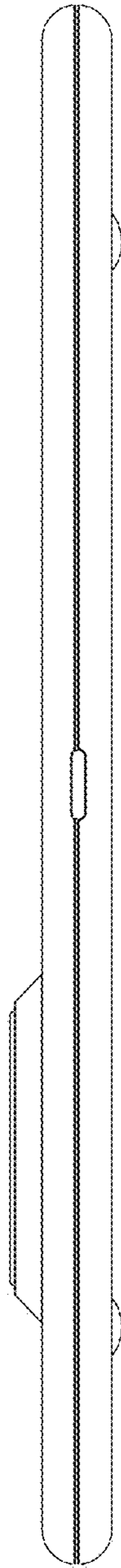


FIG. 6



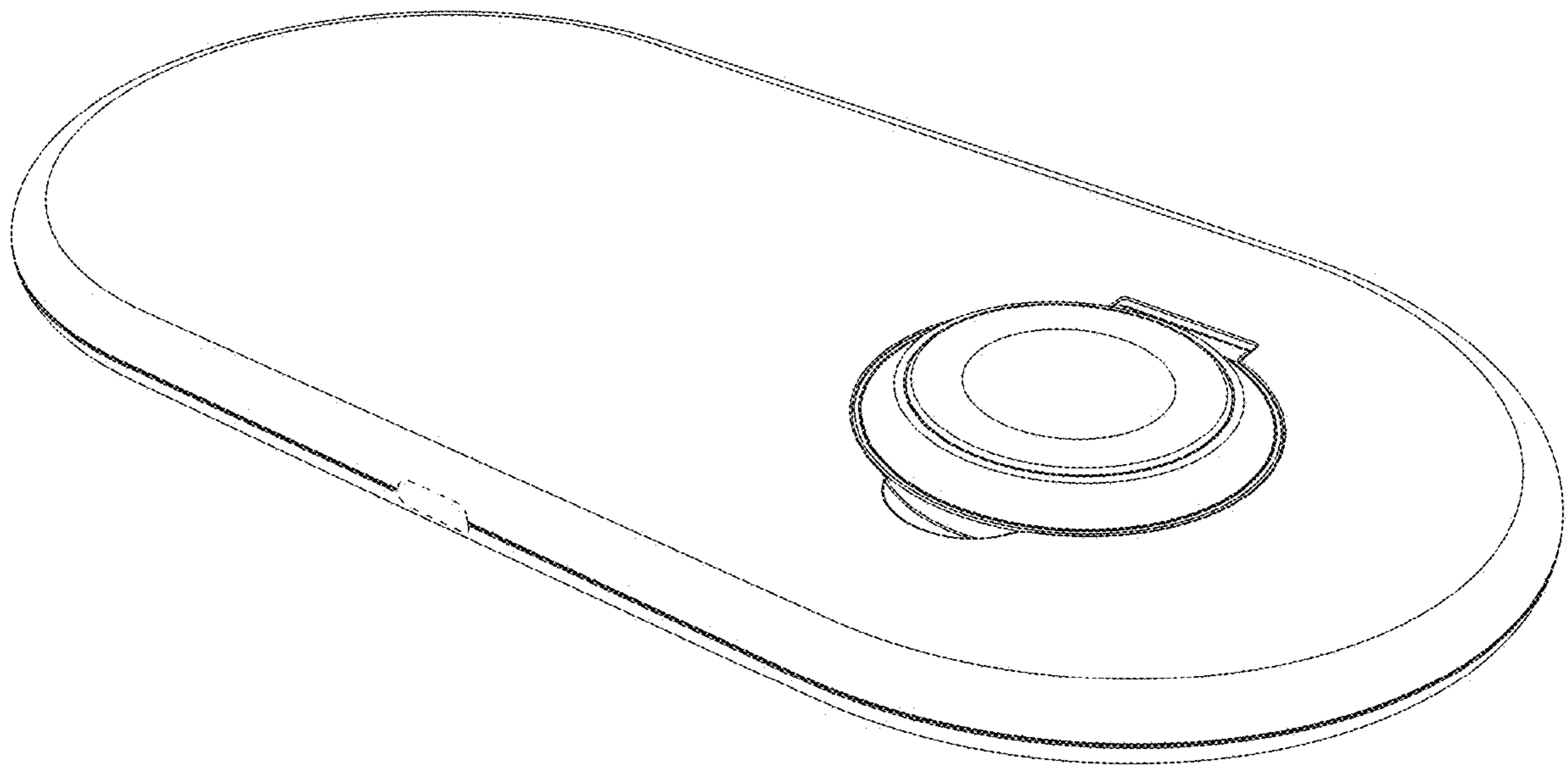


FIG. 7

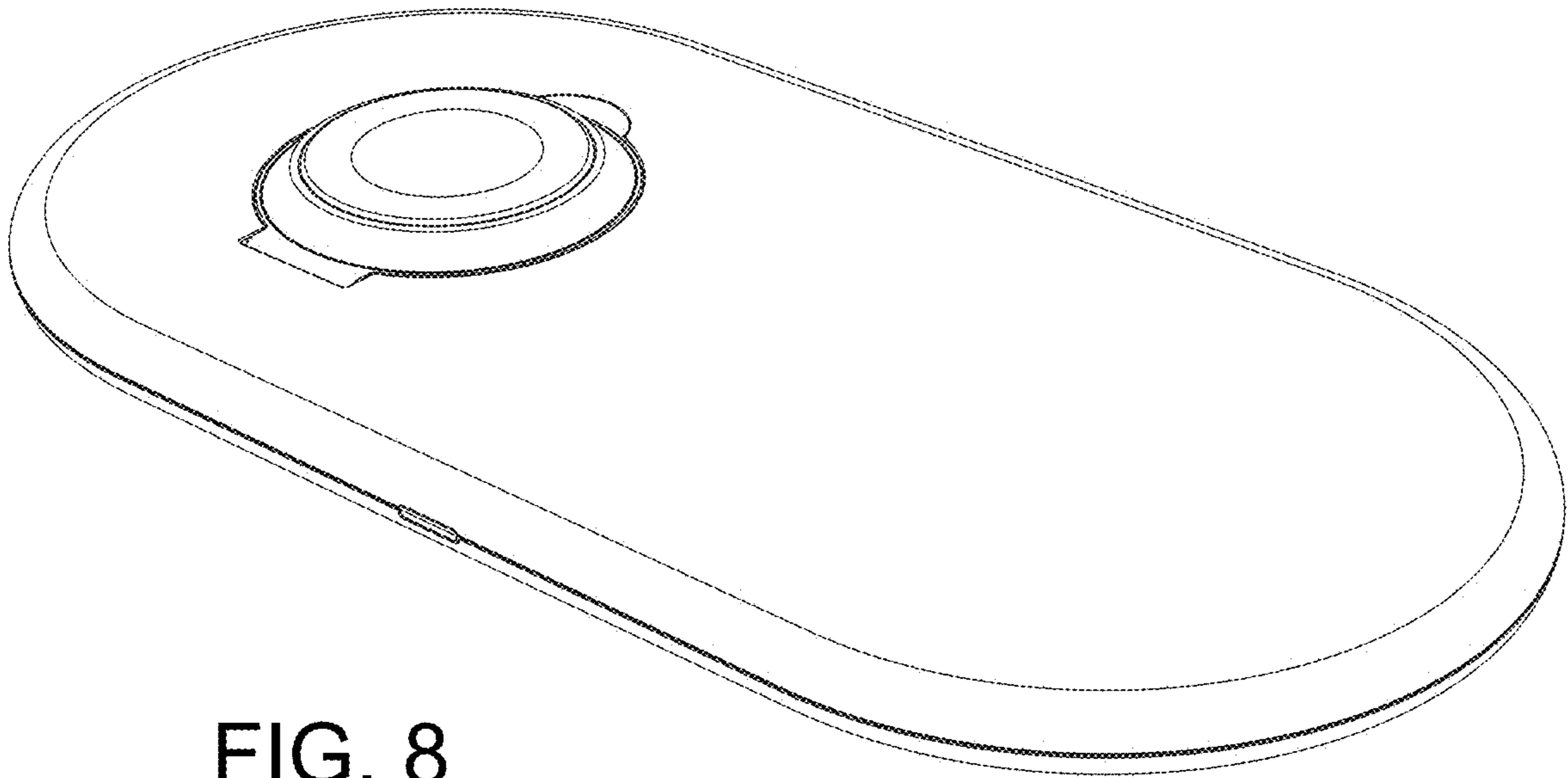


FIG. 8

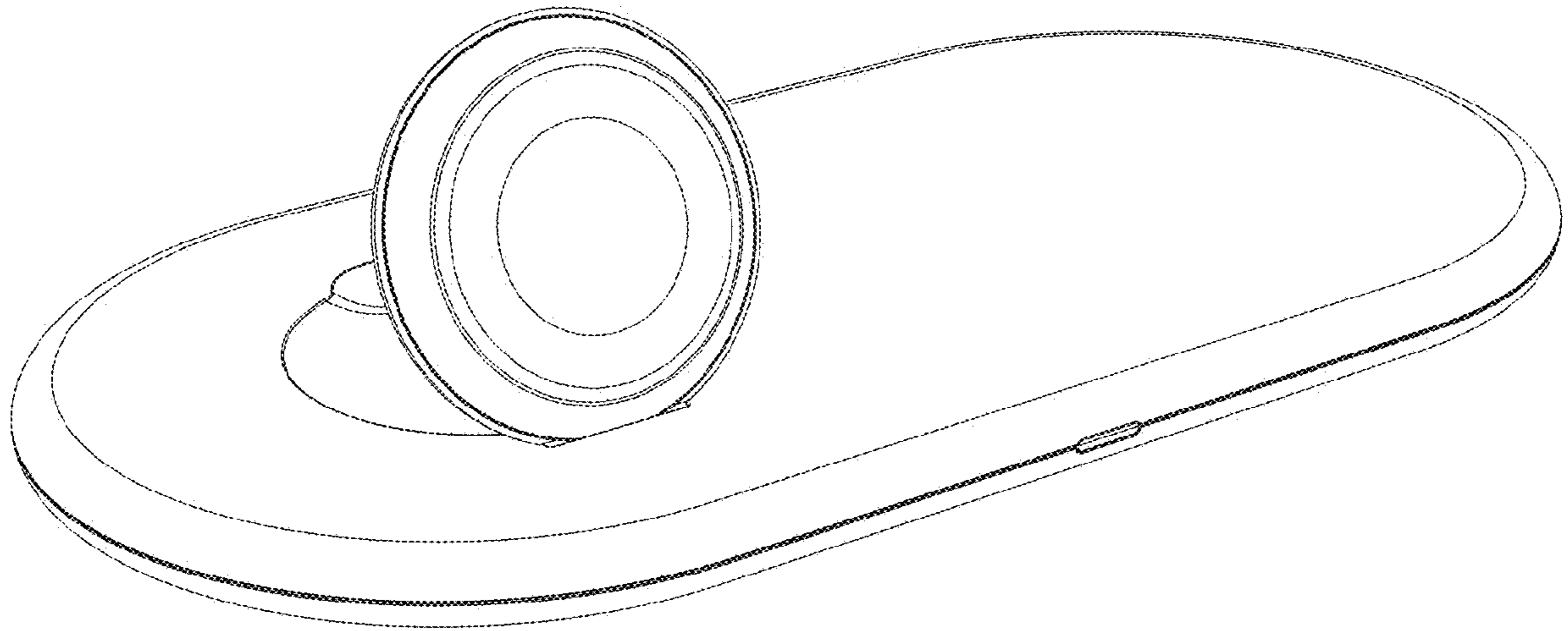


FIG. 9