



US00D872690S

(12) **United States Design Patent**
Williams et al.

(10) **Patent No.:** **US D872,690 S**
(45) **Date of Patent:** **** Jan. 14, 2020**

(54) **WIRELESS CHARGER**

(71) Applicant: **ASSEMBLY BRANDS, INC.**,
Brooklyn, NY (US)

(72) Inventors: **Joshua Williams**, Brooklyn, NY (US);
Eric Prum, Brooklyn, NY (US);
Monish Sabnani, Brooklyn, NY (US);
Evan Moskal, Brooklyn, NY (US)

(73) Assignee: **VERY GREAT INC.**, Brooklyn, NY
(US)

(**) Term: **15 Years**

(21) Appl. No.: **29/663,064**

(22) Filed: **Sep. 11, 2018**

(51) **LOC (12) Cl.** **13-02**

(52) **U.S. Cl.**
USPC **D13/108**

(58) **Field of Classification Search**
USPC D13/107–110, 118–119, 184; D14/251,
D14/253, 432, 434

CPC Y02E 60/12; Y02T 90/14; Y02T 90/122;
Y02T 90/128; Y02T 90/163; H02J 7/025;
H02J 7/0042; H02J 7/0044; H02J 7/0045;
H02J 7/0003; H01F 38/14; H01M 2/1022;
H01M 2/1055; H01M 10/44; H01M
10/46; H01M 10/425; B60L 11/182;
H01R 13/6675

See application file for complete search history.

(56) **References Cited**

U.S. PATENT DOCUMENTS

D479,709 S * 9/2003 Cocks D13/184
D599,736 S * 9/2009 Ferber D13/108
D623,133 S * 9/2010 Nomi D13/108
D637,951 S * 5/2011 Perez D13/108
D656,097 S * 3/2012 Nomi D13/108
D656,459 S * 3/2012 Crawley D13/108
D674,342 S * 1/2013 Ho D13/110

D705,160 S * 5/2014 Ormesher D13/108
D722,962 S * 2/2015 Kim D13/108
D725,035 S * 3/2015 Jung D13/110
D729,163 S * 5/2015 Meyer D13/107
D754,599 S * 4/2016 Yang D13/108
D765,597 S * 9/2016 Kim D13/108

(Continued)

OTHER PUBLICATIONS

Elly Parsons, “Meet the boutique brands of Coal Drops Yard”,
Lifestyle, Sep. 7, 2018, pp. 1-30 <https://www.wallpaper.com/lifestyle/boutique-brands-coal-drops-yard-london>.

Primary Examiner — Rosemary K Tarcza

(74) *Attorney, Agent, or Firm* — Sheppard, Mullin,
Richter & Hampton LLP

(57) **CLAIM**

We claim the ornamental design for a wireless charger, as
shown and described.

DESCRIPTION

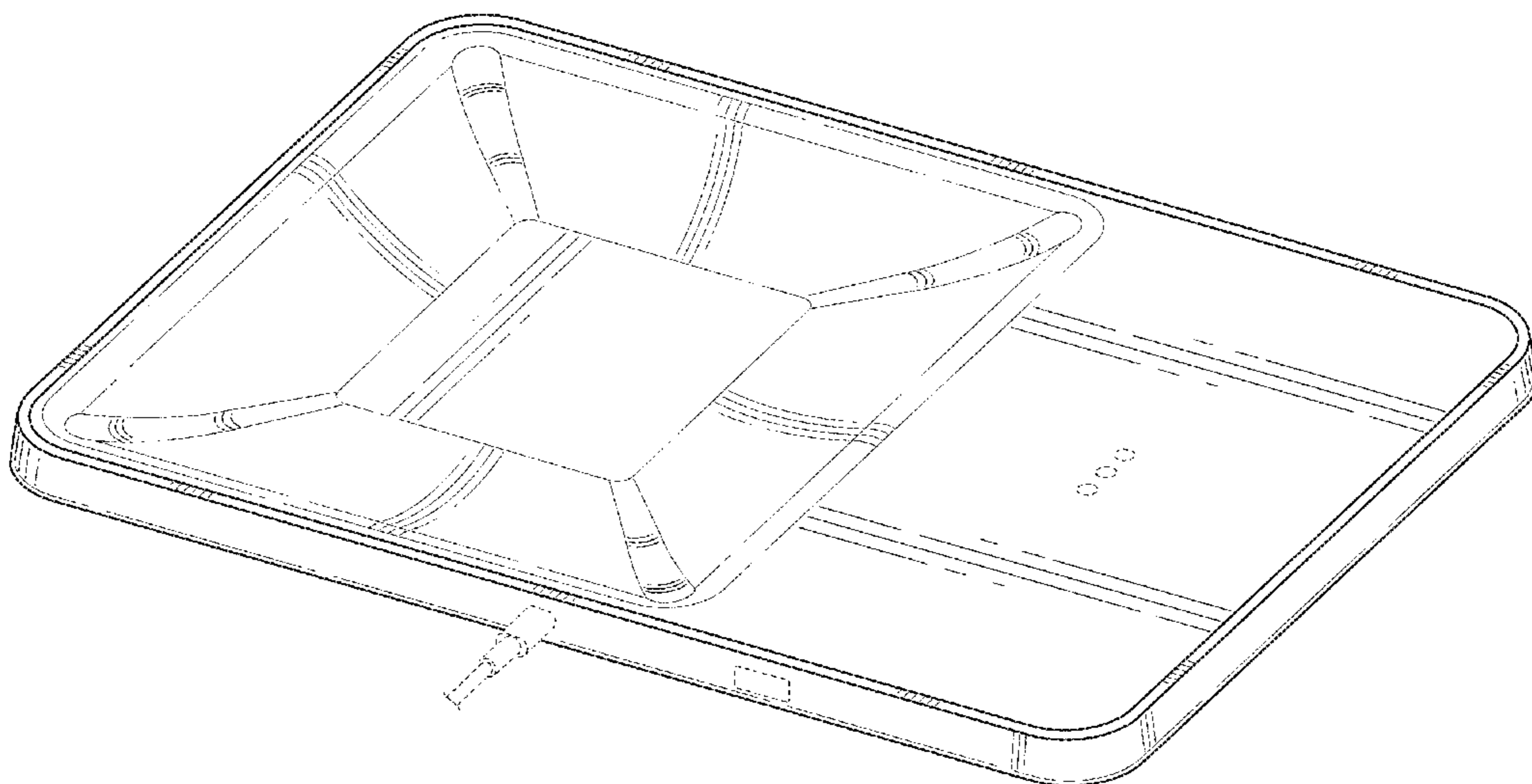
FIG. 1 is a top, front, and right side perspective view of an
ornamental design for a wireless charger;
FIG. 2 is a top plan view thereof;
FIG. 3 is a bottom plan view thereof;
FIG. 4 is a rear side elevational view thereof;
FIG. 5 is a front side elevational view thereof;
FIG. 6 is a right side elevational view thereof;
FIG. 7 is a left side elevational view thereof; and,
FIG. 8 is a cross-sectional view thereof taken along the line
8-8 of FIG. 2.

The view of FIG. 8 is shown enlarged for clarity of illus-
tration.

The broken lines depicting the connector connected to the
wireless charger illustrate environmental matter and form no
part of the claimed design.

All other broken lines shown in the drawings depict portions
of the wireless charger that form no part of the claimed
design.

1 Claim, 8 Drawing Sheets



(56)

References Cited

U.S. PATENT DOCUMENTS

D786,877 S *	5/2017	Christie, II	D14/253
D788,700 S *	6/2017	Yang	D13/108
D793,958 S *	8/2017	Rautiainen	D13/108
D813,806 S *	3/2018	Ito	D13/108
D817,270 S *	5/2018	Kim	D13/108
D818,434 S *	5/2018	Doiron	D13/108

* cited by examiner

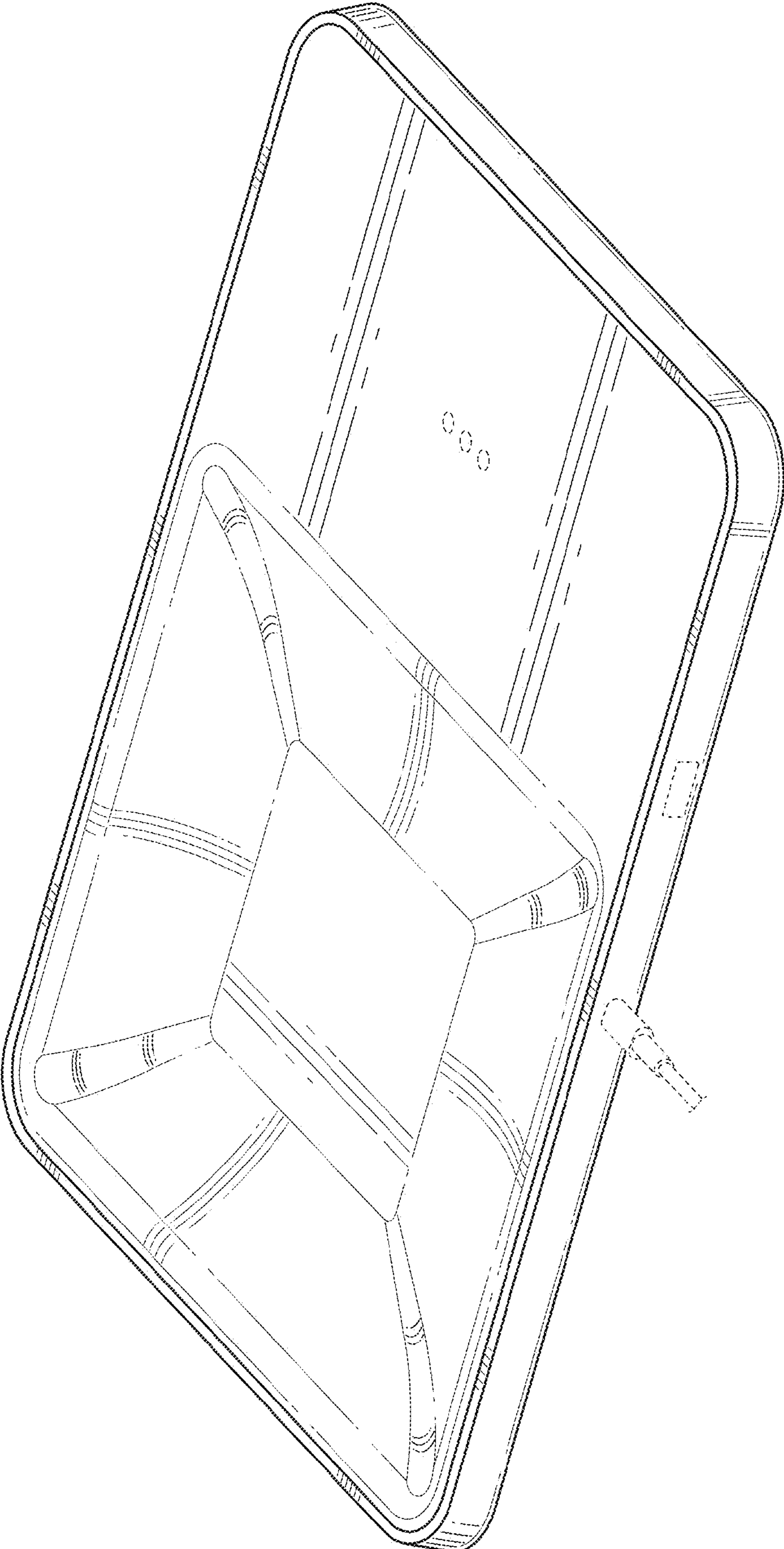


FIG. 1

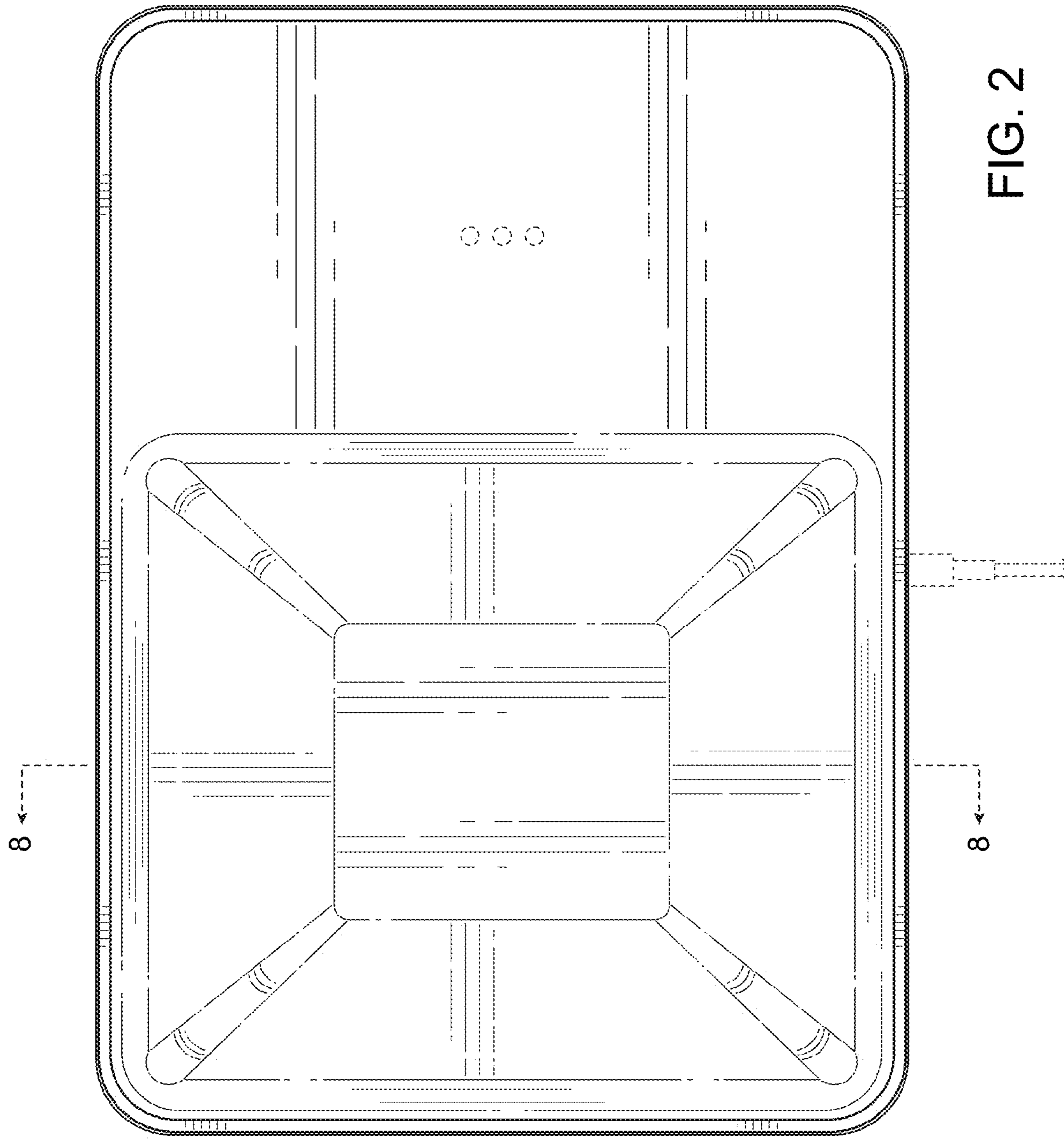


FIG. 2

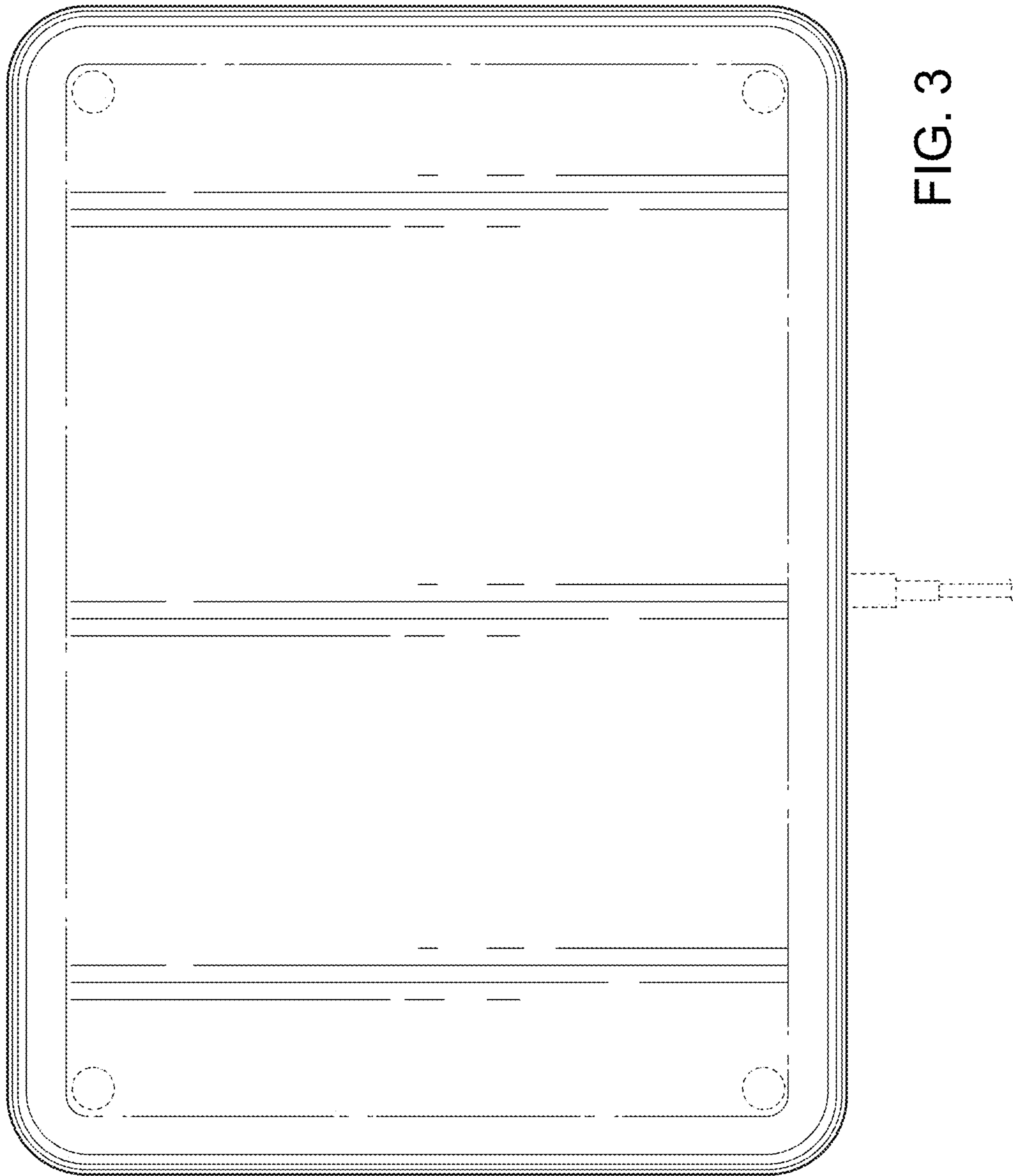


FIG. 3

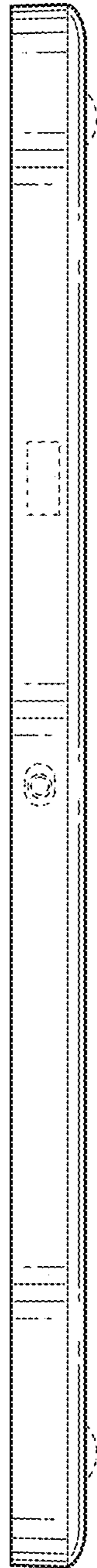


FIG. 4

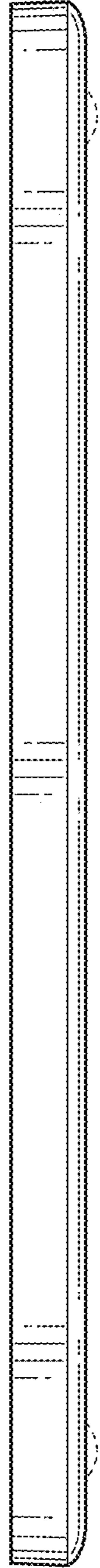


FIG. 5

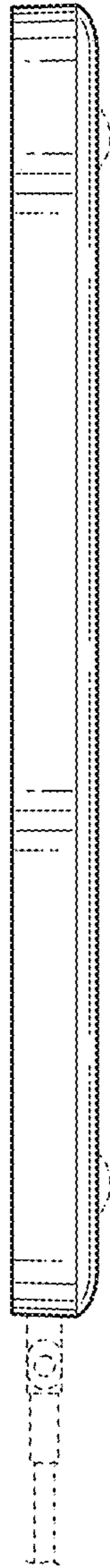


FIG. 6

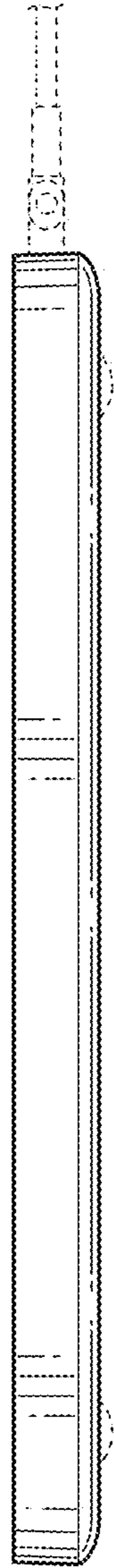


FIG. 7

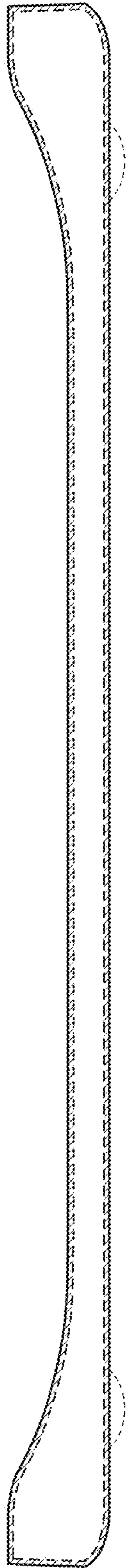


FIG. 8