



US00D872689S

(12) **United States Design Patent**
Vardi

(10) **Patent No.:** **US D872,689 S**

(45) **Date of Patent:** **** Jan. 14, 2020**

(54) **CHARGING DEVICE**

(71) Applicant: **ETROG SYSTEMS LTD.**, Jerusalem (IL)

(72) Inventor: **Eyal Dov Vardi**, Bet Nir (IL)

(73) Assignee: **ETROG SYSTEMS LTD.**, Jerusalem (IL)

(**) Term: **15 Years**

(21) Appl. No.: **29/643,763**

(22) Filed: **Apr. 11, 2018**

(51) **LOC (12) Cl.** **13-02**

(52) **U.S. Cl.**
USPC **D13/108**

(58) **Field of Classification Search**
USPC D13/107–110, 118–119, 184; D14/251, D14/253, 432, 434
CPC Y02E 60/12; Y02T 90/14; Y02T 90/122; Y02T 90/128; Y02T 90/163; H02J 7/025; H02J 7/0042; H02J 7/0044; H02J 7/0045; H02J 7/0003; H01F 38/14; H01R 13/6675; H01M 2/1022; H01M 2/1055; H01M 10/44; H01M 10/46; H01M 10/425; B60L 11/182
See application file for complete search history.

(56) **References Cited**

U.S. PATENT DOCUMENTS

D49,217 S * 6/1916 King D3/265
D656,092 S * 3/2012 Nomi D13/107

D659,991 S * 5/2012 Long, Jr. D3/201
D745,775 S * 12/2015 Provost D3/205
D772,572 S * 11/2016 Palmborg D3/201
D806,648 S * 1/2018 Beedham D13/107
D817,640 S * 5/2018 Dang D3/294
D838,480 S * 1/2019 Son D3/294
D841,580 S * 2/2019 Bao D13/108
D841,581 S * 2/2019 Bonahoom D13/108
D850,365 S * 6/2019 Loermann D13/107
D852,033 S * 6/2019 Akana D9/418
D856,274 S * 8/2019 Ebrahimi Afrouzi D13/103

* cited by examiner

Primary Examiner — Rosemary K Tarca

Assistant Examiner — Nathaniel D. Buckner

(74) *Attorney, Agent, or Firm* — Amster, Rothstein & Ebenstein LLP

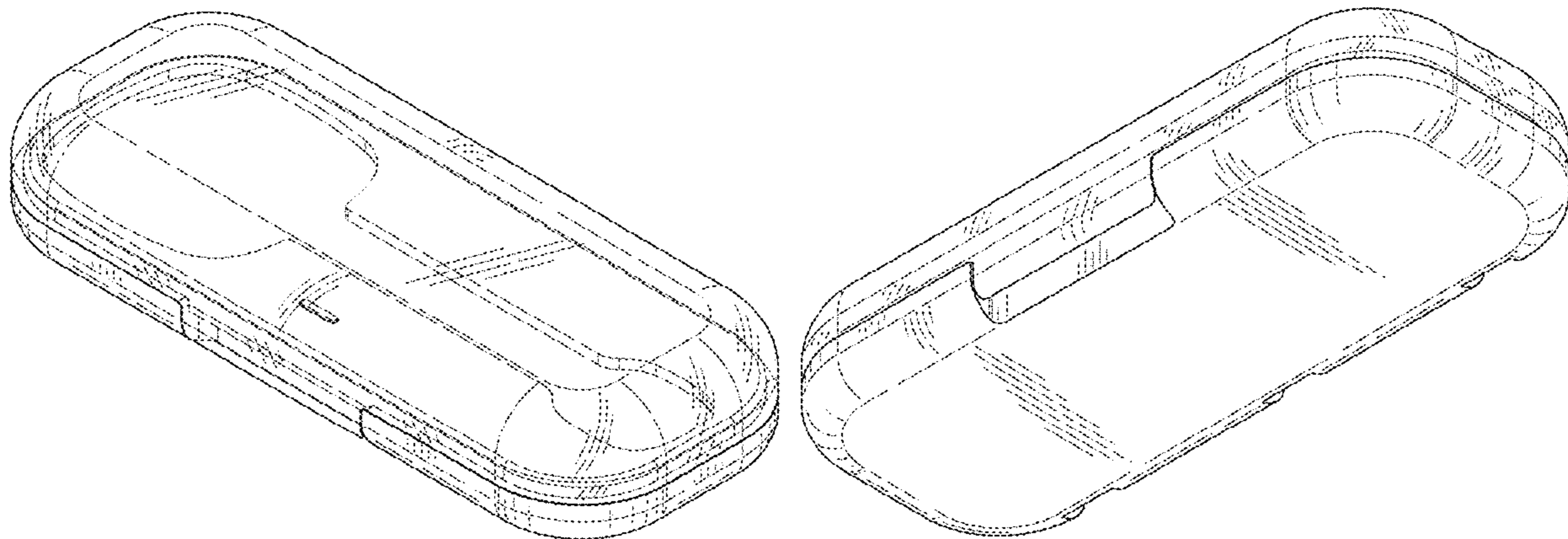
(57) **CLAIM**

The ornamental design for a charging device, as shown and described.

DESCRIPTION

FIG. 1 is top perspective view of a charging device showing my new design;
FIG. 2 is a front view thereof;
FIG. 3 is a rear view thereof;
FIG. 4 is a side view thereof;
FIG. 5 is an opposite side view thereof;
FIG. 6 is a top view thereof;
FIG. 7 is a bottom view thereof; and,
FIG. 8 is a bottom perspective view thereof.

1 Claim, 4 Drawing Sheets



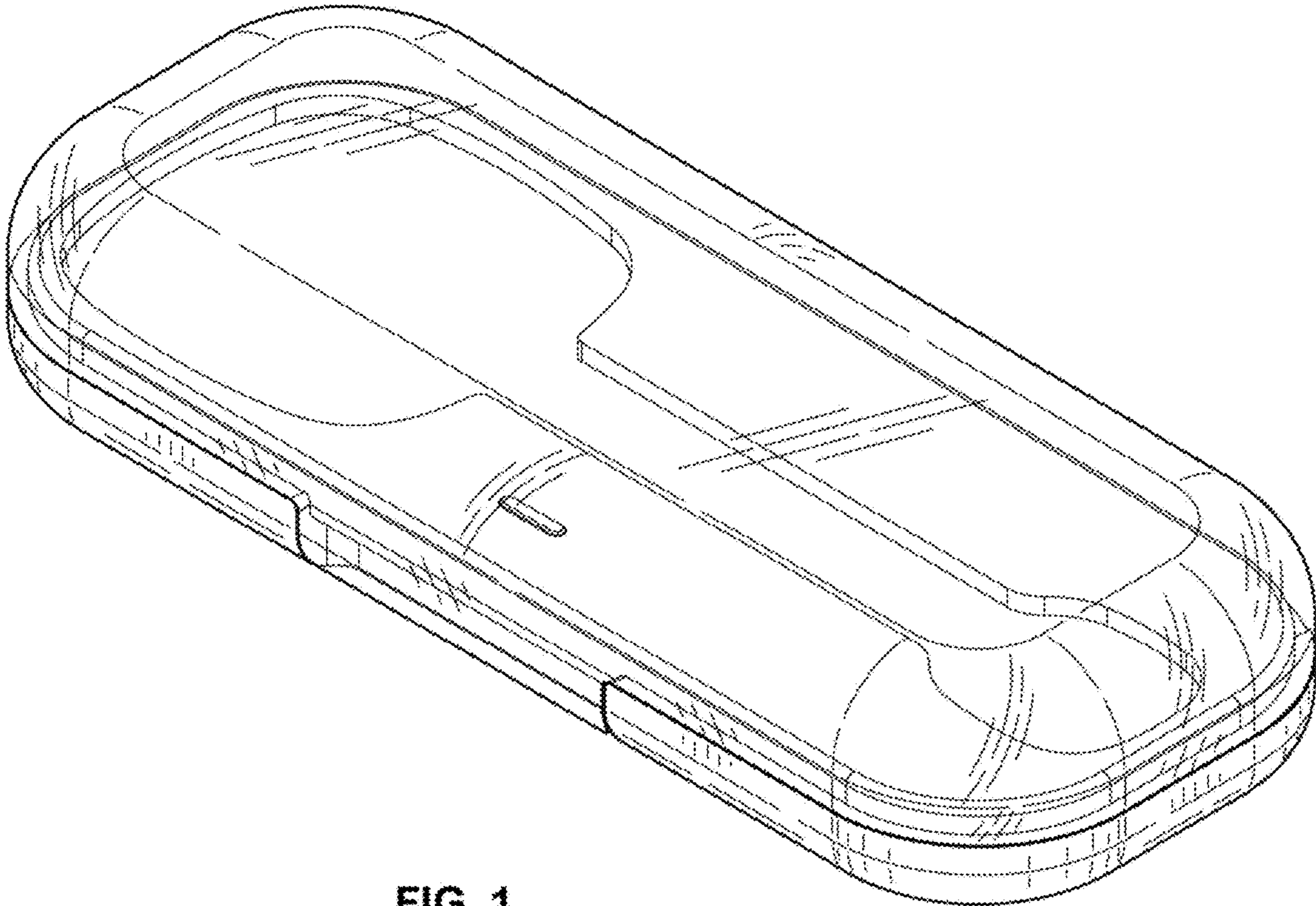


FIG. 1

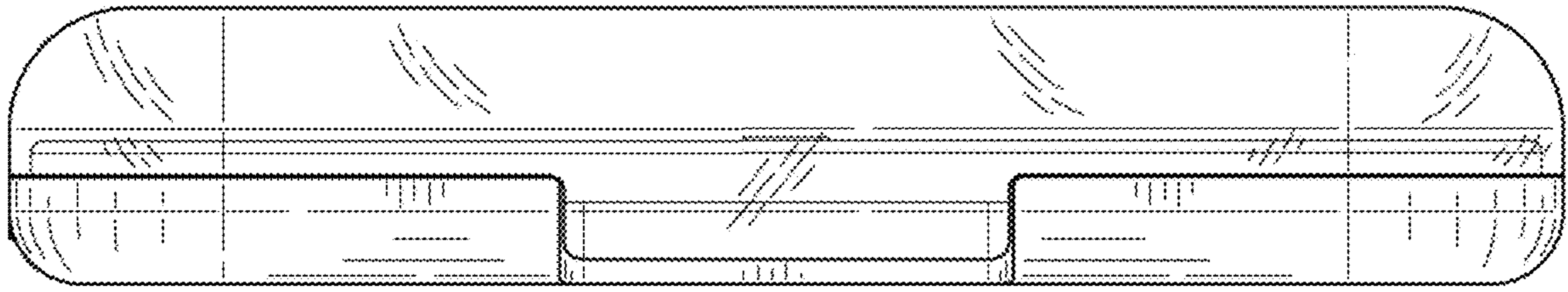


FIG. 2

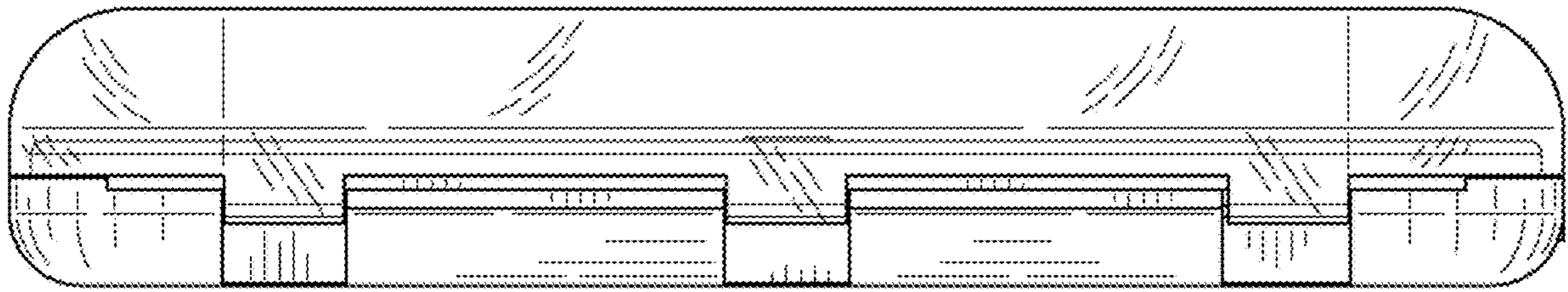


FIG. 3

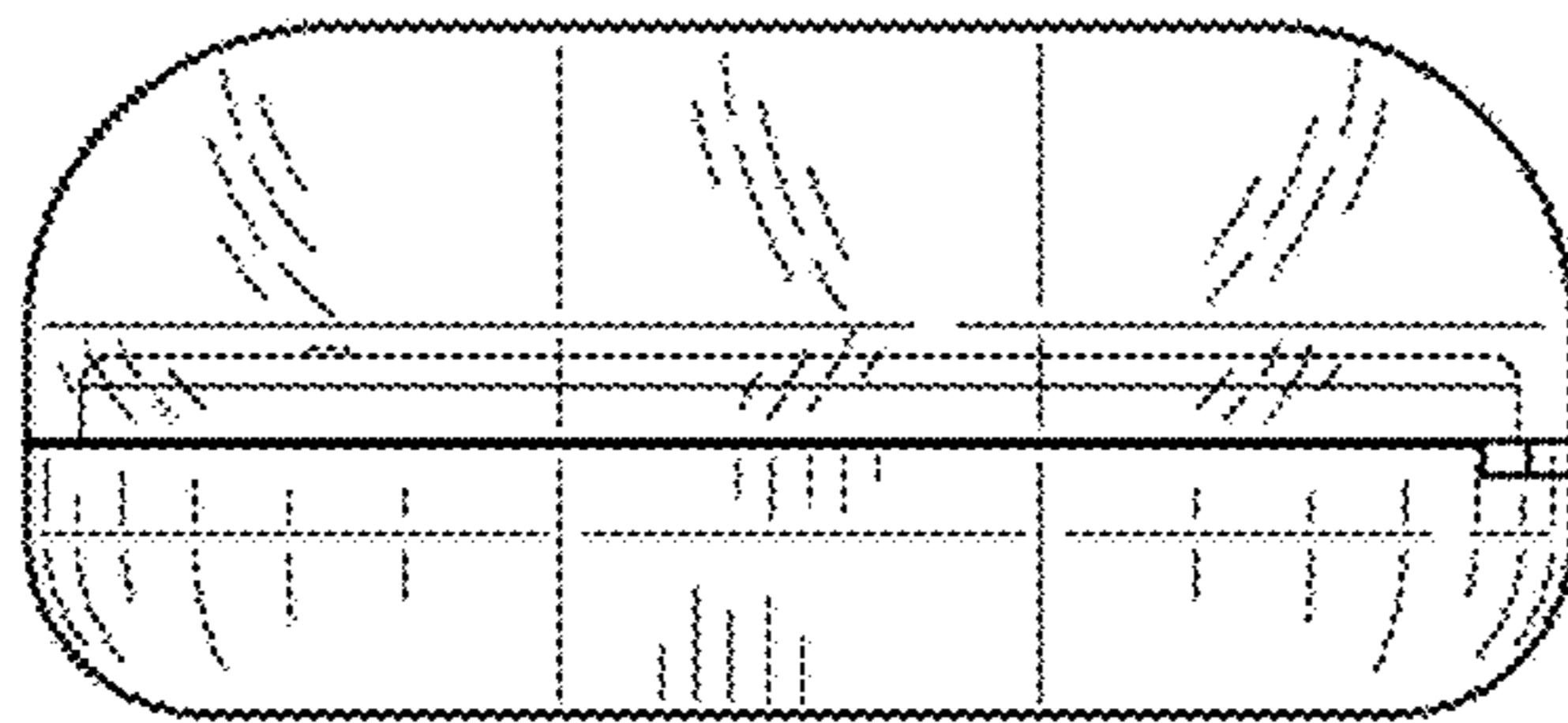


FIG. 4

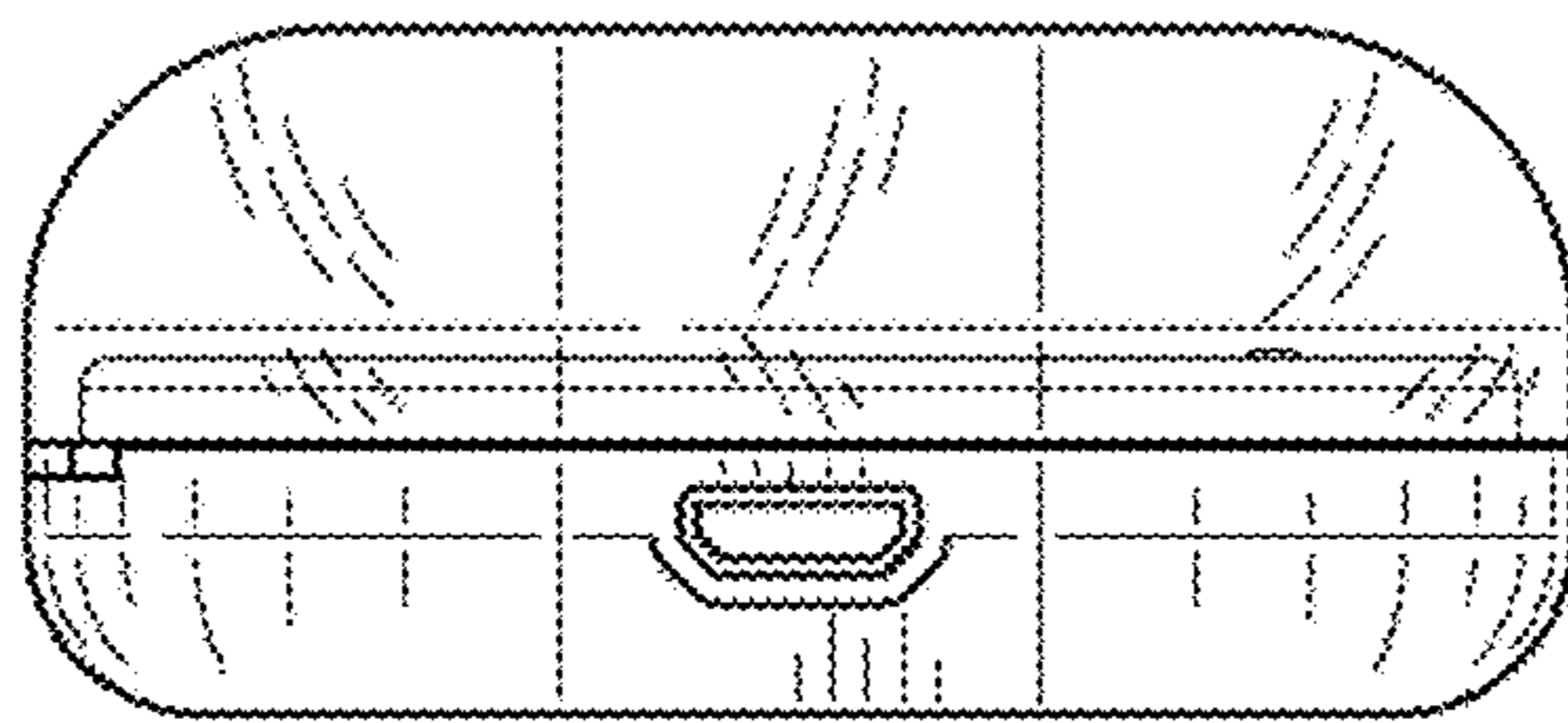


FIG. 5

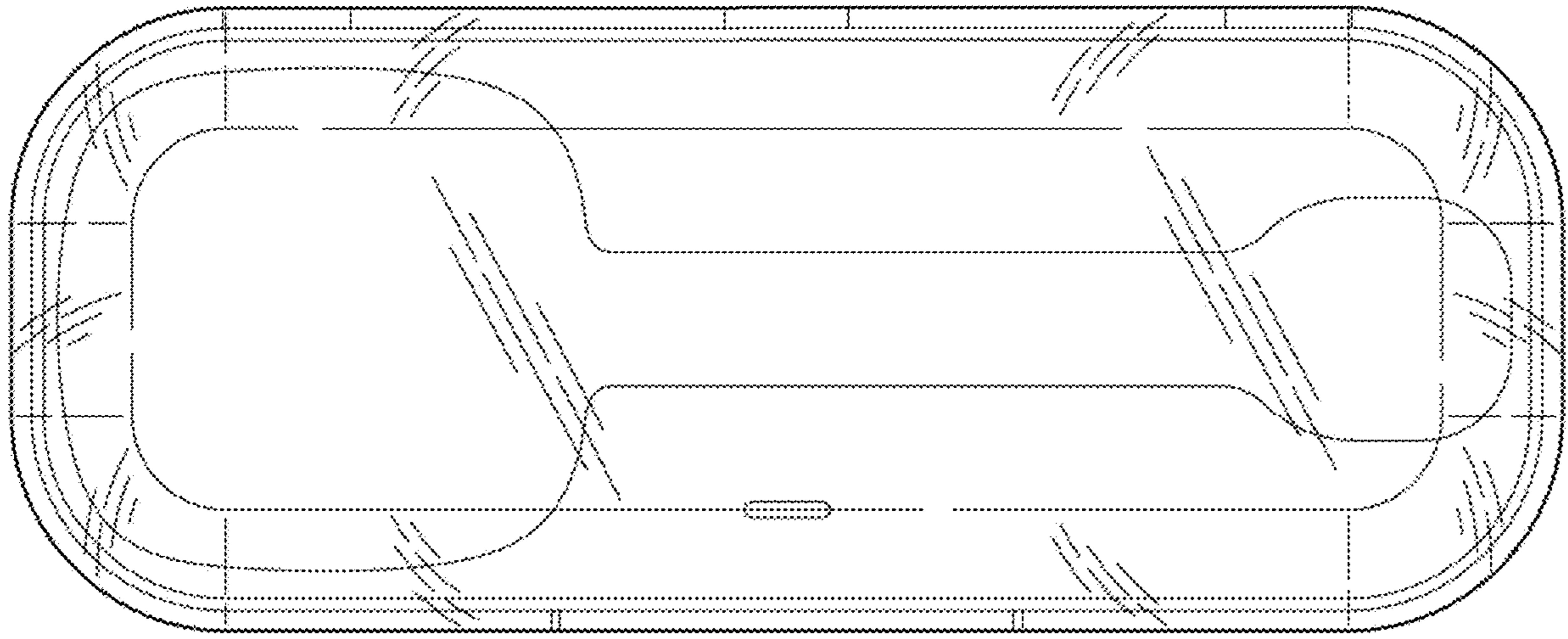


FIG. 6

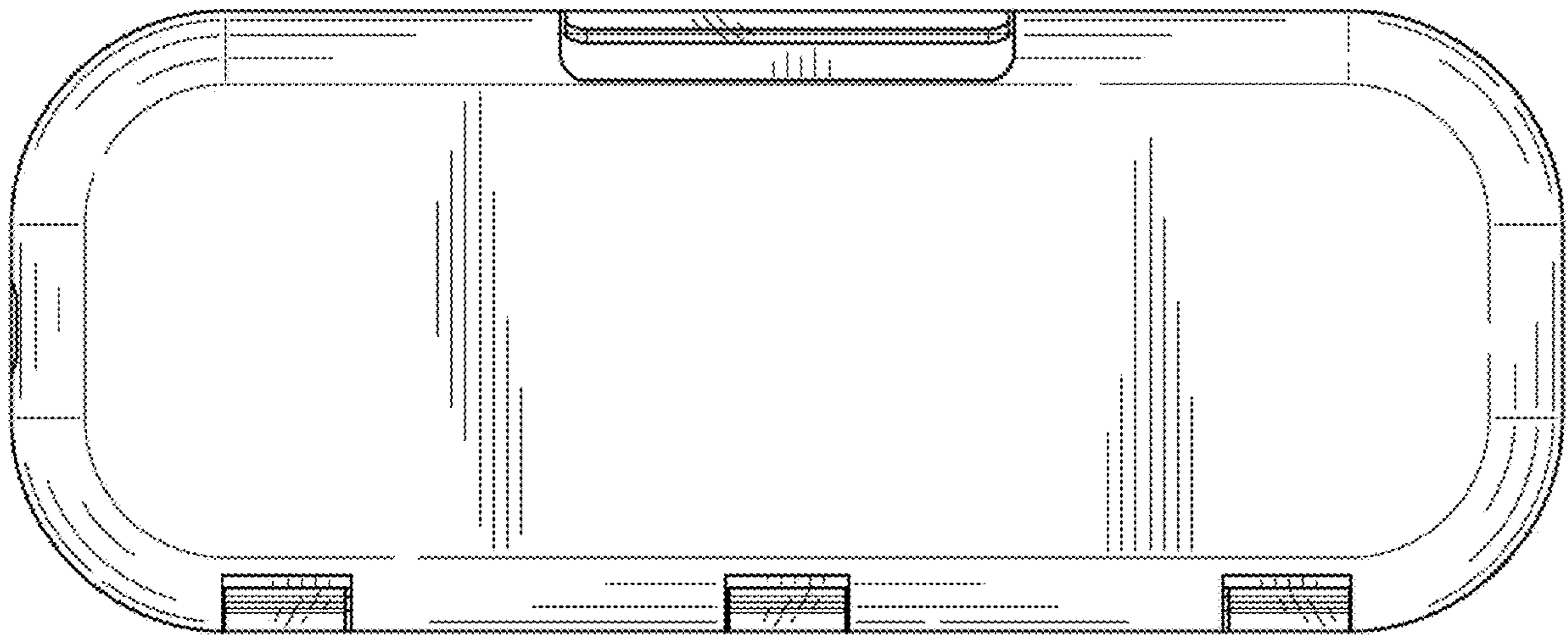


FIG. 7

