



US00D872687S

(12) **United States Design Patent**
Mortun

(10) **Patent No.:** **US D872,687 S**

(45) **Date of Patent:** **** Jan. 14, 2020**

(54) **CHARGING SYSTEM**

(71) Applicant: **Hubbell Incorporated**, Shelton, CT
(US)

(72) Inventor: **Sorin Mortun**, Irvington, NY (US)

(73) Assignee: **Hubbell Incorporated**, Shelton, CT
(US)

(**) Term: **15 Years**

(21) Appl. No.: **29/603,996**

(22) Filed: **May 15, 2017**

(51) **LOC (12) Cl.** **13-02**

(52) **U.S. Cl.**
USPC **D13/107**

(58) **Field of Classification Search**

USPC D13/107-110, 118-119, 184; D14/251,
D14/253, 432, 434
CPC Y02E 60/12; Y02E 60/721; Y02T 90/14;
Y02T 90/122; Y02T 90/128; Y02T
90/163; H02J 7/025; H02J 7/0042; H02J
7/0044; H02J 7/0045; H02J 7/0003; H01F
38/14; H01R 13/6675; H01M 2/1022;
H01M 2/1055; H01M 10/44; H01M
10/46; H01M 10/425; B60L 11/182

See application file for complete search history.

(56) **References Cited**

U.S. PATENT DOCUMENTS

D626,063 S * 10/2010 Cutter D13/107
D632,645 S * 2/2011 Blain D13/107
D652,791 S * 1/2012 Petrie D13/107
D655,242 S * 3/2012 Holthusen D13/107

D660,791 S * 5/2012 Murata D13/107
D664,085 S * 7/2012 Callender D13/107
D665,733 S * 8/2012 Petrie D13/107
D692,374 S * 10/2013 Choi D13/107
D706,213 S * 6/2014 Titus D13/107
D777,101 S * 1/2017 Shimada D13/107
D795,193 S * 8/2017 Huang D13/133

* cited by examiner

Primary Examiner — Rosemary K Tarcza

(74) *Attorney, Agent, or Firm* — Michael Best &
Friedrich, LLP

(57) **CLAIM**

I claim the ornamental design for a charging system, as shown and described.

DESCRIPTION

FIG. 1 is a perspective view of a charging system showing the new design.

FIG. 2 is a front elevation view of the charging system shown in FIG. 1.

FIG. 3 is a rear elevation view of the charging system shown in FIG. 1.

FIG. 4 is a first side elevation view of the charging system shown in FIG. 1.

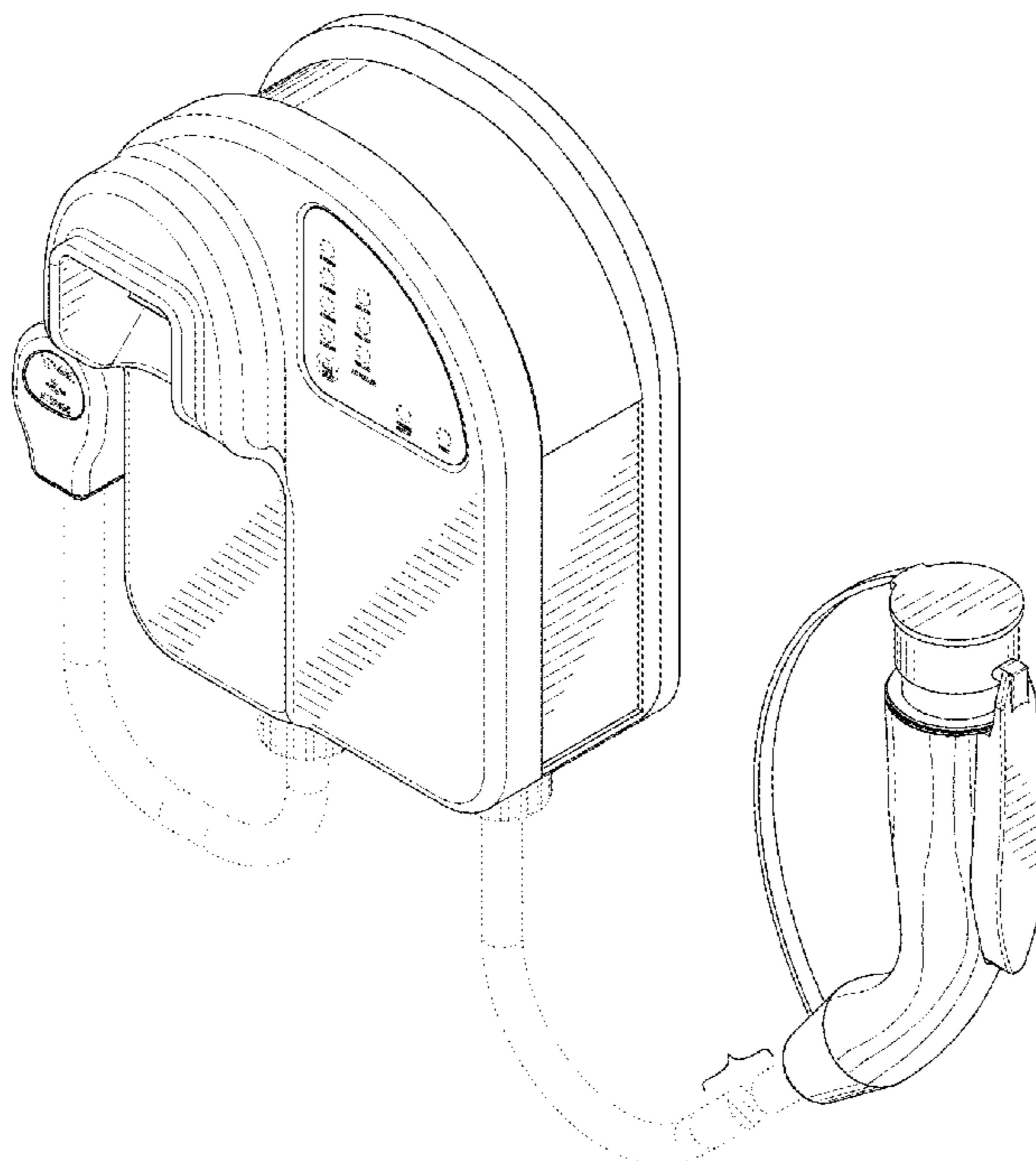
FIG. 5 is a second side elevation view of the charging system shown in FIG. 1.

FIG. 6 is a first plan view of the charging system shown in FIG. 1; and,

FIG. 7 is a second plan view of the charging system shown in FIG. 1.

Rear views are not part of the claimed design. The elements shown in broken lines are included for the purpose of illustrating portions of the charging system that form no part of the claimed design.

1 Claim, 5 Drawing Sheets



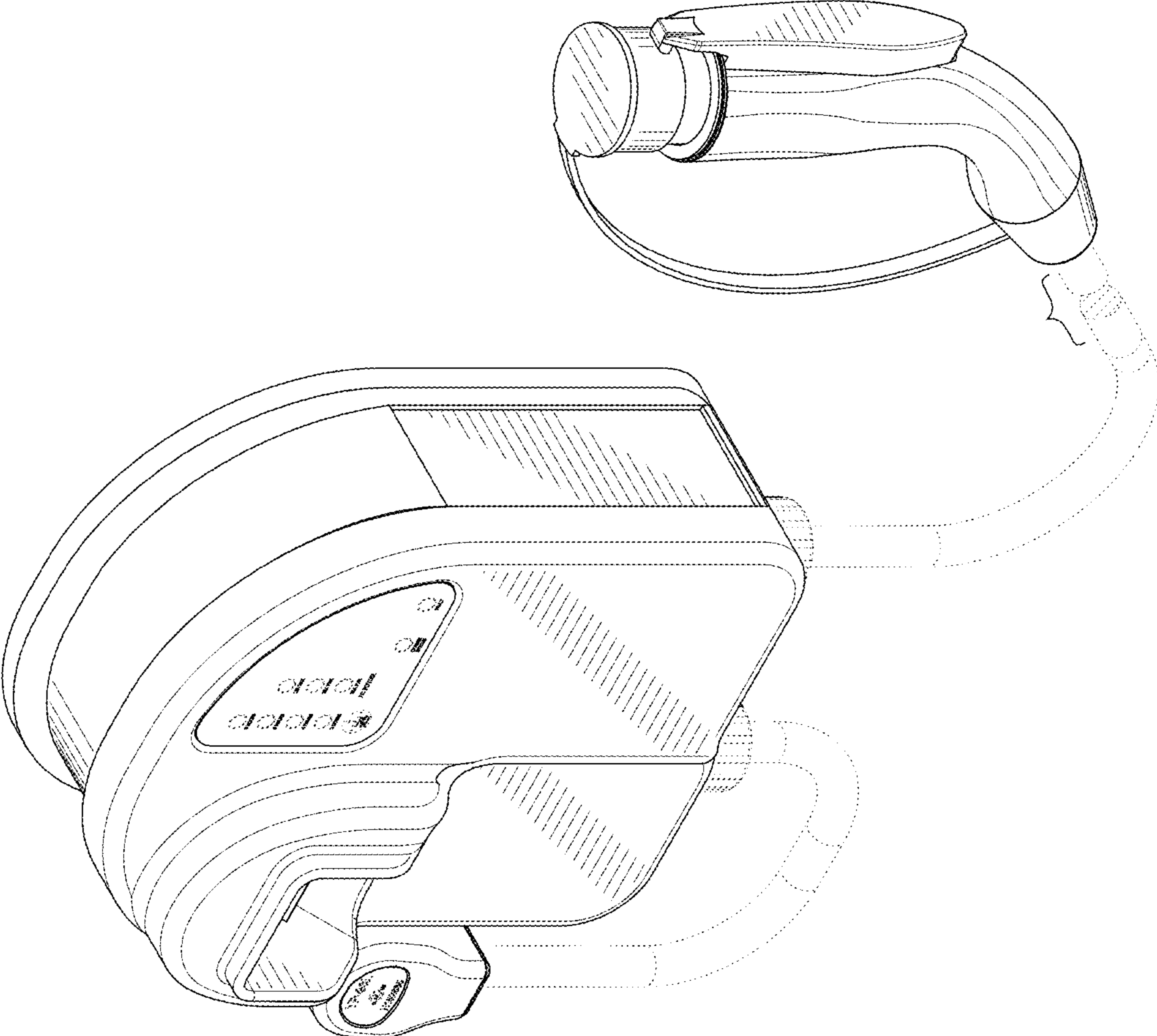


FIG. 1

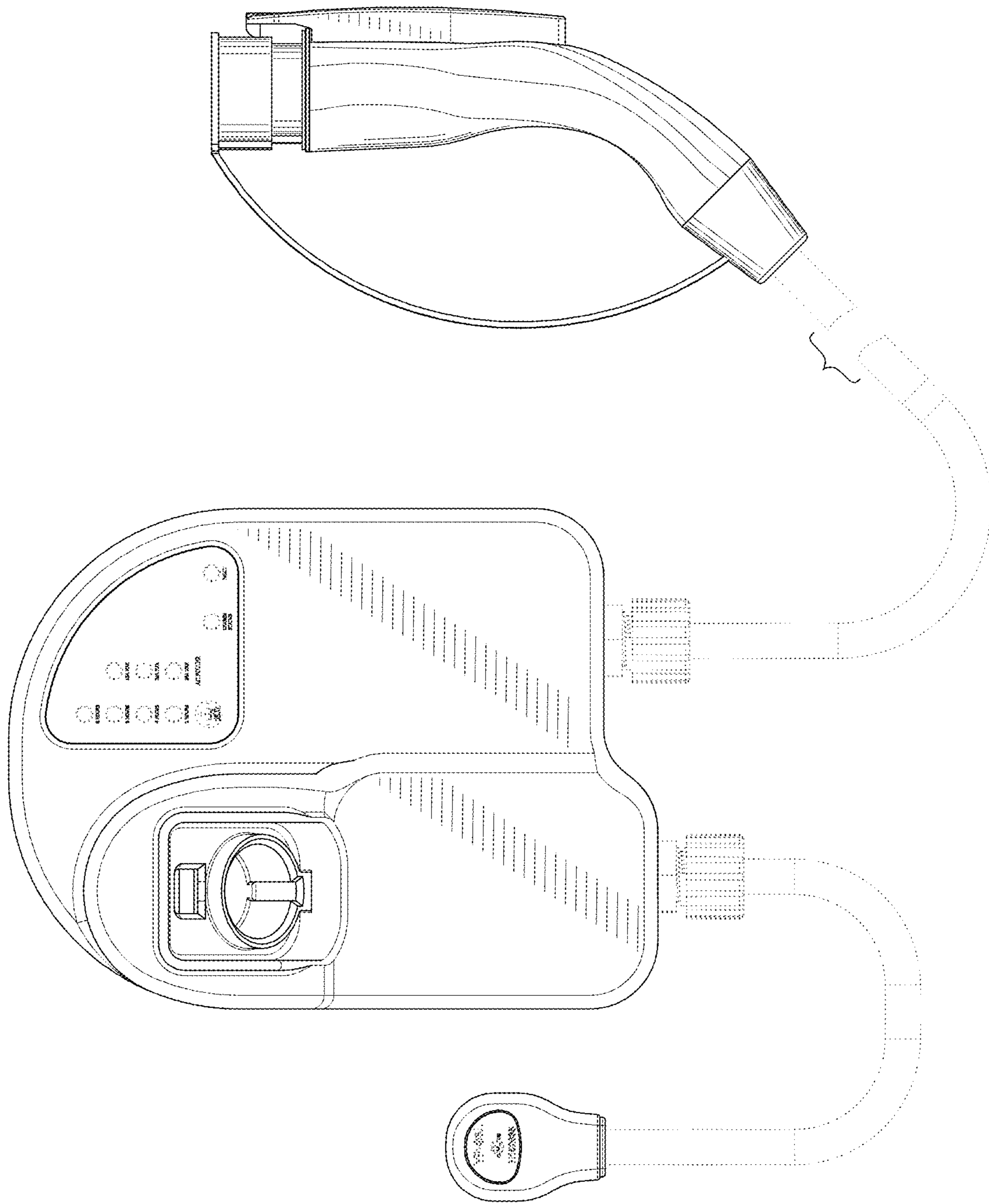


FIG. 2

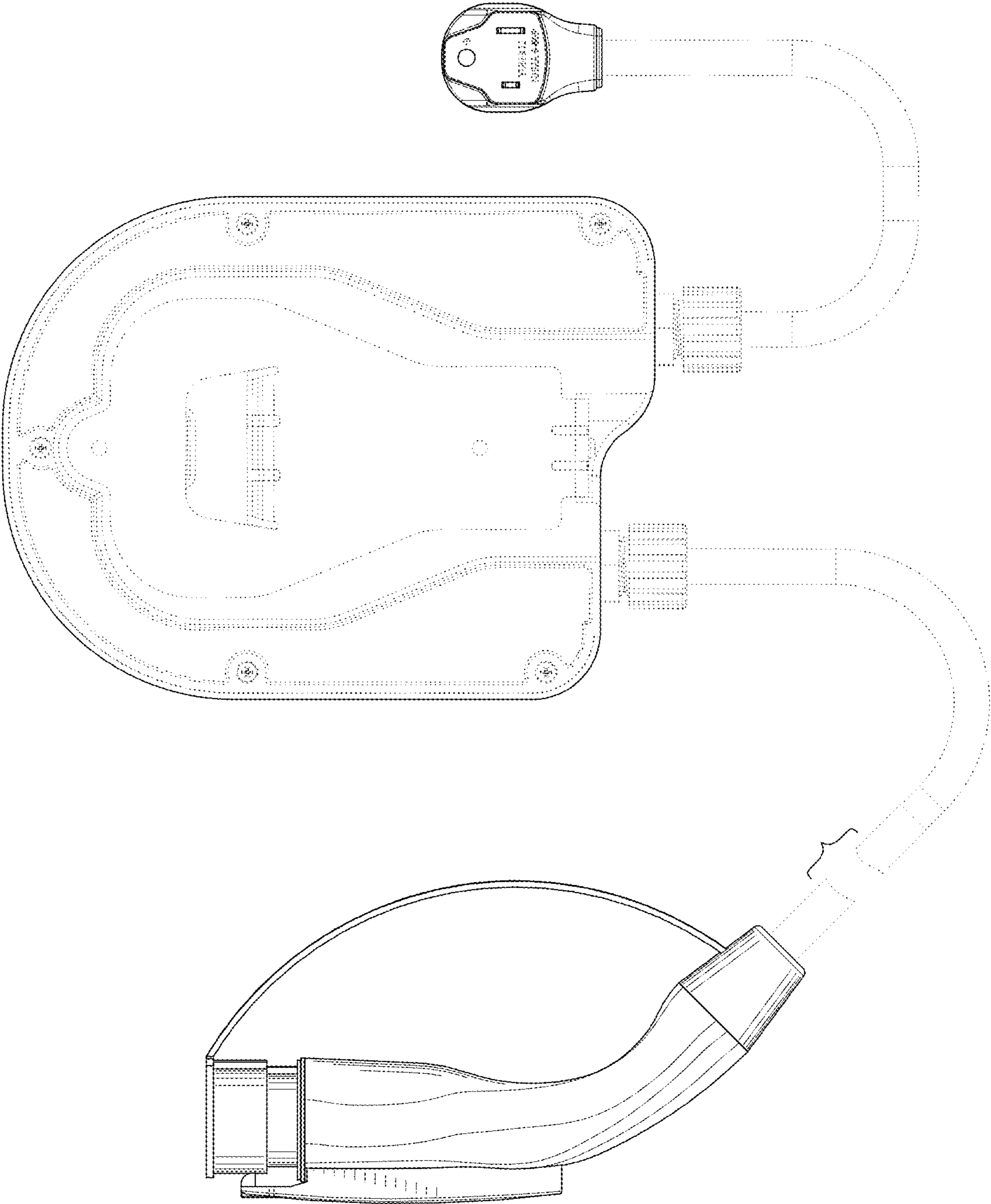


FIG. 3

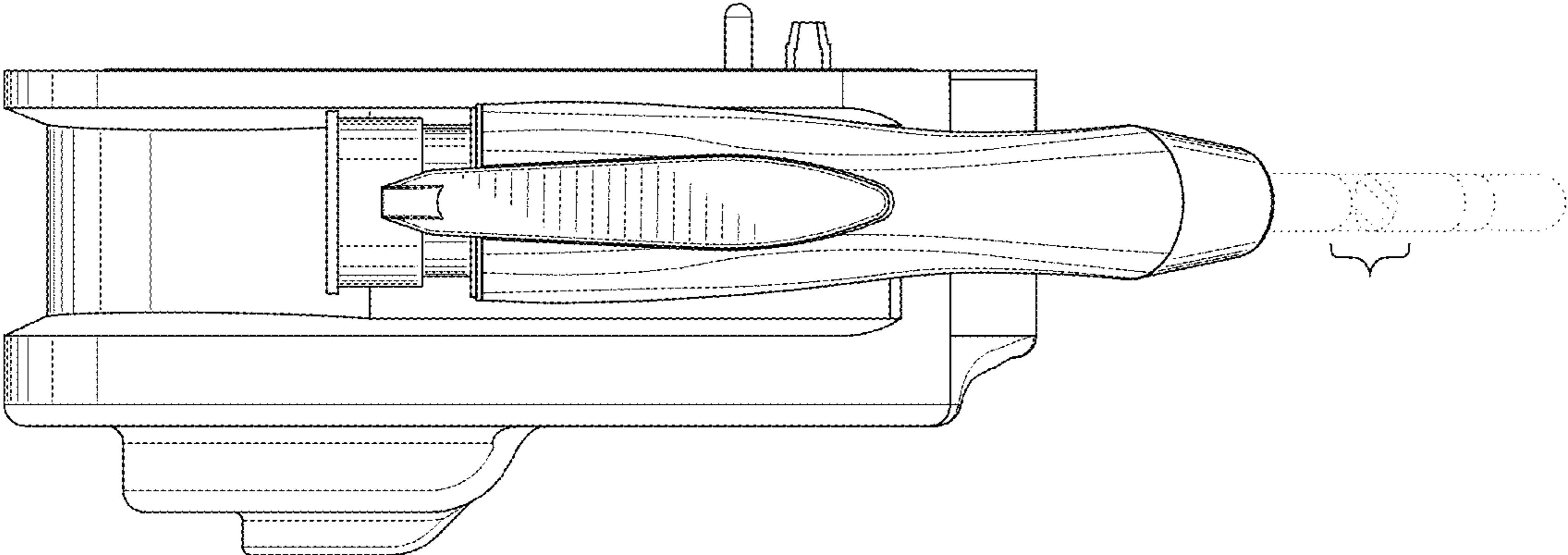


FIG. 5

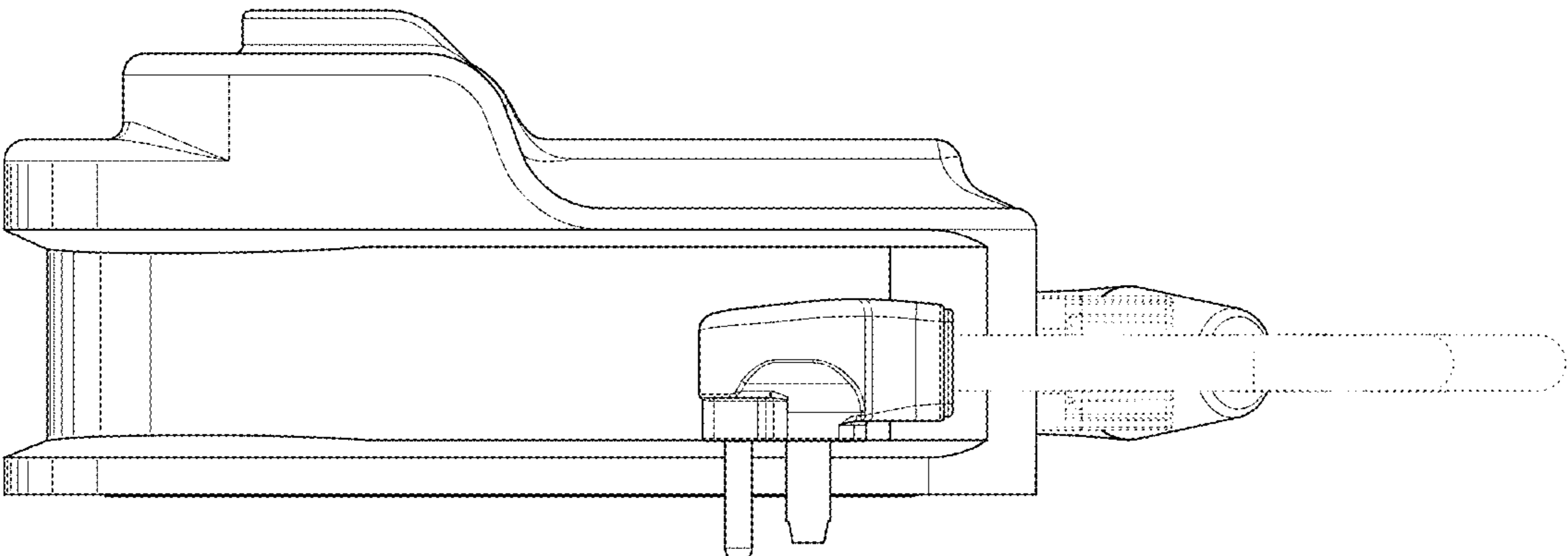


FIG. 4

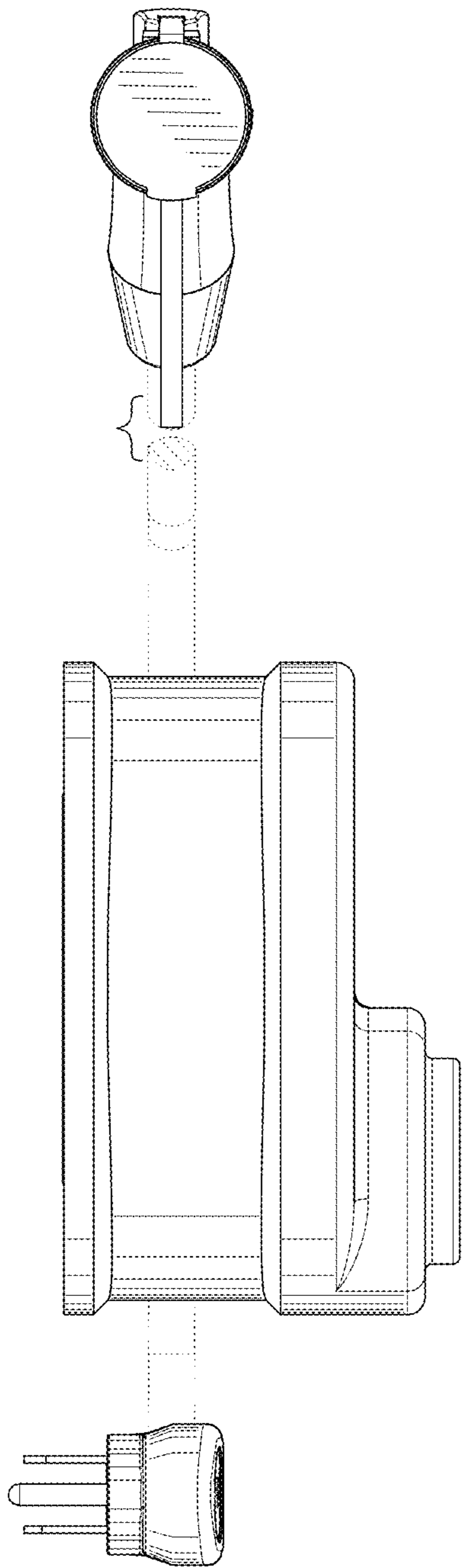


FIG. 6

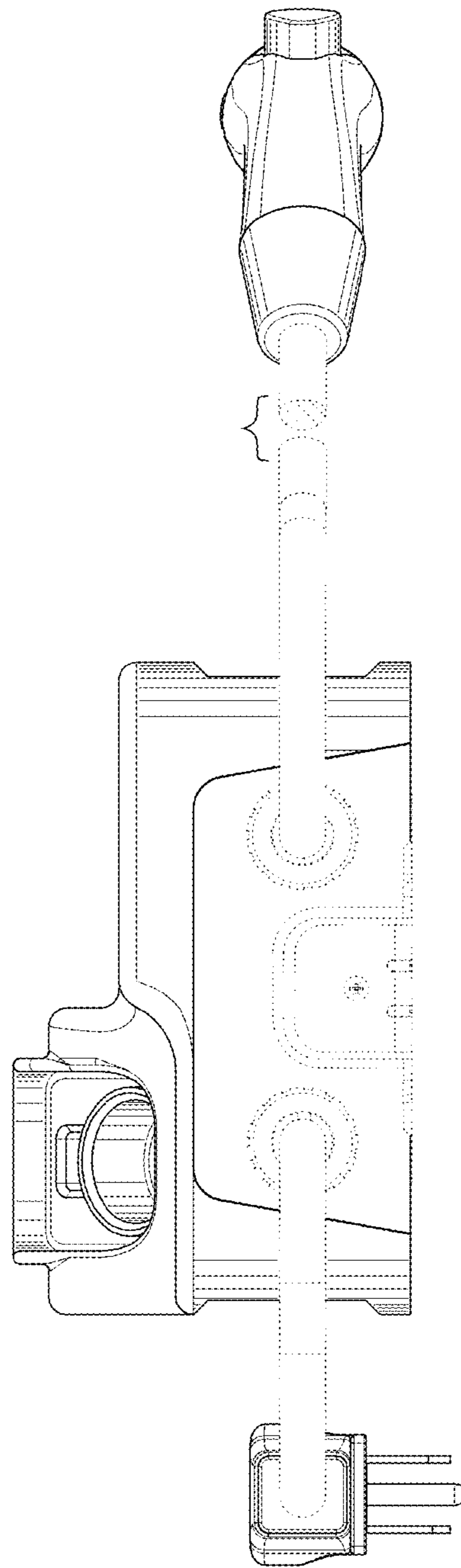


FIG. 7