



US00D872682S

(12) **United States Design Patent**
Grams

(10) **Patent No.:** **US D872,682 S**

(45) **Date of Patent:** **** Jan. 14, 2020**

(54) **EXPANDABLE PICK-UP TRUCK BED STORAGE RACK**

(71) Applicant: **Big Daddy's Rack LLC**, Fort Smith, AR (US)

(72) Inventor: **Charles Wesley Grams**, Fort Smith, AR (US)

(**) Term: **15 Years**

(21) Appl. No.: **29/646,588**

(22) Filed: **May 4, 2018**

(51) **LOC (12) Cl.** **12-16**

(52) **U.S. Cl.**
USPC **D12/406**

(58) **Field of Classification Search**
USPC D12/406, 400, 412-414; 296/3, 37.1; 224/402-405; 211/182, 162, 175-176, 211/205-206; 52/731.7, 731.6, 735.1, 52/737.6; D6/718, 382, 392, 709
CPC B60D 1/06
See application file for complete search history.

(56) **References Cited**

U.S. PATENT DOCUMENTS

D220,688 S *	5/1971	Zulim	D12/412
3,765,713 A *	10/1973	Suitt	B60R 9/00 296/3
D236,973 S *	9/1975	Burton	D12/412
4,405,170 A *	9/1983	Raya	B60P 3/42 224/309
4,509,787 A *	4/1985	Knaack	B60R 9/00 211/182
4,659,131 A *	4/1987	Flournoy, Jr.	B60R 9/00 296/3
5,190,337 A *	3/1993	McDaniel	B60P 3/42 224/405

5,423,587 A *	6/1995	Ingram	B60P 3/32 135/88.13
5,439,152 A *	8/1995	Campbell	B60R 9/00 108/55.1
D362,654 S *	9/1995	Keith	D12/406

(Continued)

OTHER PUBLICATIONS

Bike Rack For Truck Bed, Ririmestica.com, Jan. 20, 2018, [online], [site visited Jul. 8, 2019]. <URL: <http://ririmestica.com/bike-rack-for-truck-bed/>> (Year: 2018).*

(Continued)

Primary Examiner — T Chase Nelson
Assistant Examiner — Jonathan J. Han

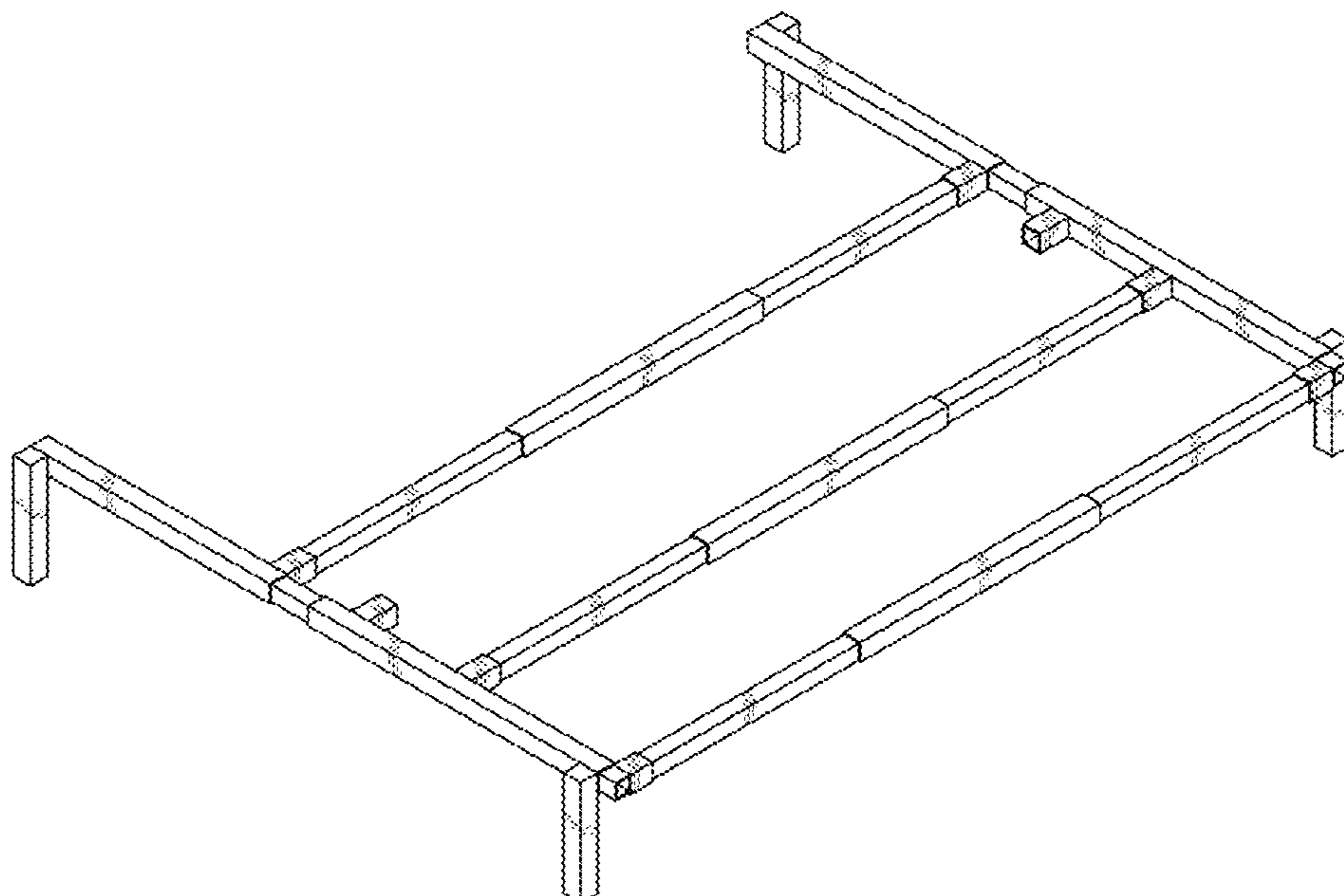
(57) **CLAIM**

The ornamental design of an expandable pick-up truck bed storage rack, as shown and described.

DESCRIPTION

FIG. 1 is a perspective view of the invention with the title expandable pick-up truck bed storage rack.
FIG. 2 is a left side elevational view of the invention. The right side of the invention is a mirror image of the left side.
FIG. 3 is a back elevational view of the invention.
FIG. 4 is a front elevational view of the invention.
FIG. 5 is a top plan view of the invention.
FIG. 6 is a perspective view of the invention in a first retracted position in the environment of a pick-up truck bed.
FIG. 7 is a perspective view of the invention in an extended position in the environment of a pick-up truck bed; and,
FIG. 8 is a perspective view of the invention in a second retracted position in the environment of a pick-up truck bed. The broken lines in FIGS. 6-8 showing a portion of a pick-up truck are for illustrative purposes only and form no part of the claimed design.

1 Claim, 6 Drawing Sheets



(56)

References Cited

U.S. PATENT DOCUMENTS

5,494,327 A * 2/1996 Derecktor B60P 3/40
224/321
D367,843 S * 3/1996 Tayar D12/412
5,520,316 A * 5/1996 Chen B60R 7/02
211/12
5,806,905 A * 9/1998 Moore B60R 9/00
296/3
5,836,635 A * 11/1998 Dorman B60P 3/40
296/3
5,927,782 A * 7/1999 Olms B60R 9/00
211/182
D412,624 S * 8/1999 Bergenwall D6/392
D436,915 S * 1/2001 Burger D12/406
6,520,723 B2 * 2/2003 Christensen B60P 3/40
410/100
D473,839 S * 4/2003 Atencio D12/414.1
6,659,524 B1 * 12/2003 Carlson B60P 1/003
296/26.09
D558,097 S * 12/2007 Winter D12/101
D624,005 S * 9/2010 Winner D12/412
D624,486 S * 9/2010 Shipp, Jr. D12/412

8,210,374 B2 * 7/2012 Harpole B65D 19/12
211/194
D679,244 S * 4/2013 Efthimiady D13/102
D679,245 S * 4/2013 Efthimiady D13/102
D689,816 S * 9/2013 Efthimiady' D13/102
D779,868 S * 2/2017 Zhu D6/718
D808,700 S * 1/2018 Bartelsmeyer D6/718
D849,666 S * 5/2019 Smith D12/414

OTHER PUBLICATIONS

Truck Bed Storage Box and Awesome Nutzo—Tech 2 Series Expedition Truck Bed Rack, CJSRODS.com, [online], [site visited Jul. 8, 2019]. <URL: <http://cjsrods.com/best-of-truck-bed-storage-box/truck-bed-storage-box-and-awesome-nutzo-tech-2-series-expedition-truck-bed-rack/>> (Year: 2019).*

Nutzo—Tech 1 series Expedition Truck Bed Rack, NuthouseIndustries.com, [online], [site visited Jul. 8, 2019]. <URL: <https://nuthouseindustries.com/shop/racks/nutzo-tech-1/>> (Year: 2019).*

Heavy Duty Truck Rack, AmericanVan.com, [online], [site visited Jul. 8, 2019]. <URL: <https://www.americanvan.com/heavy-duty-truck-rack-5627.html>> (Year: 2019).*

* cited by examiner

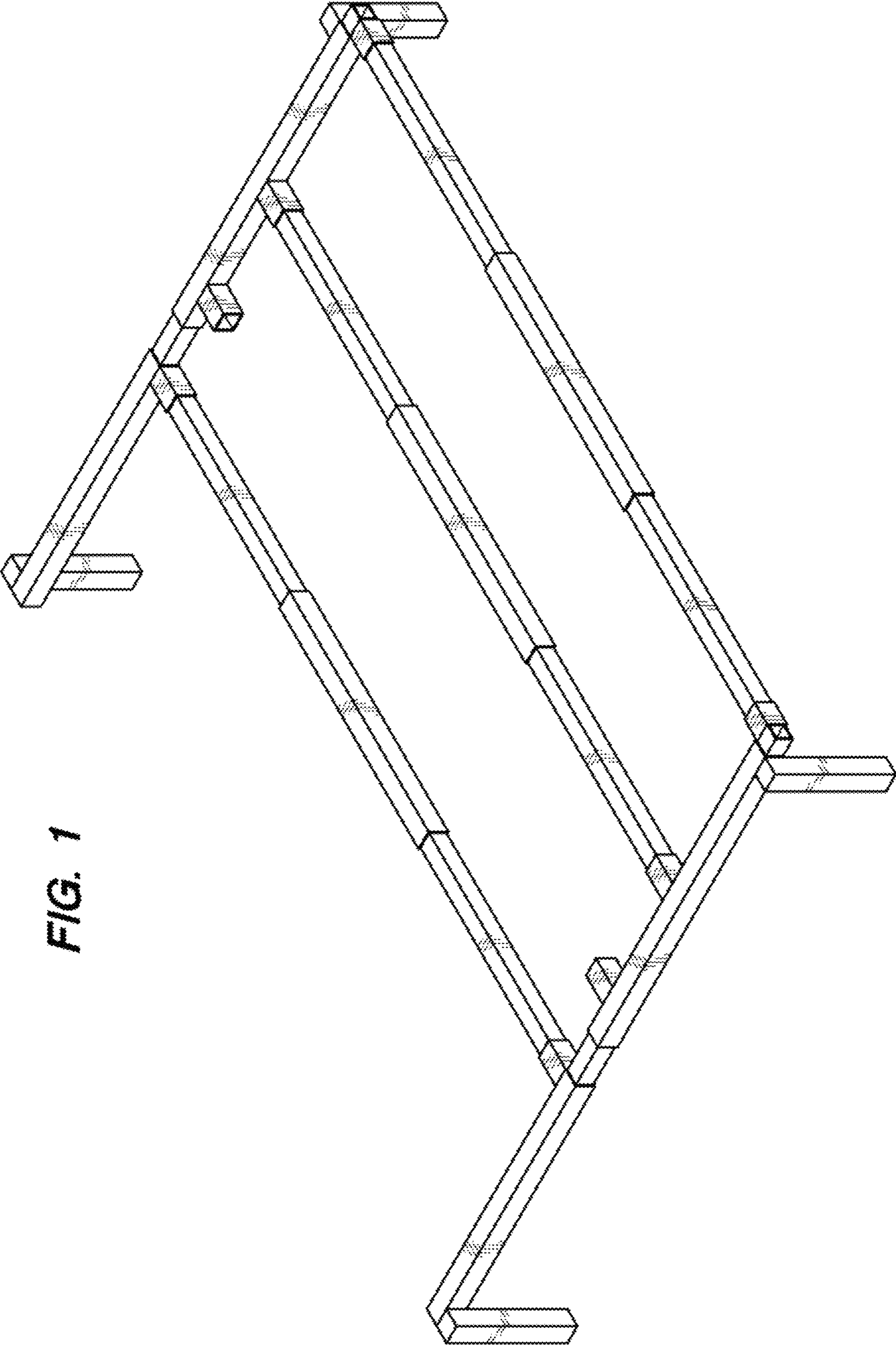


FIG. 1

FIG. 2

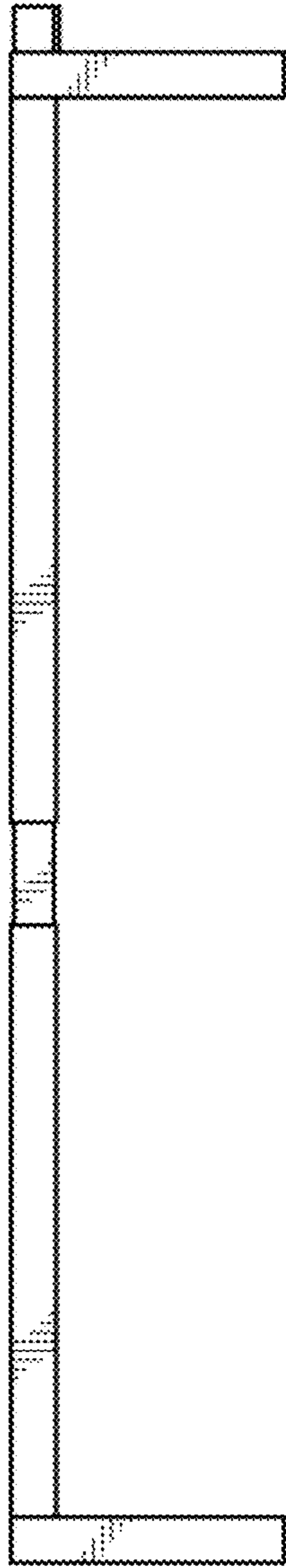


FIG. 3

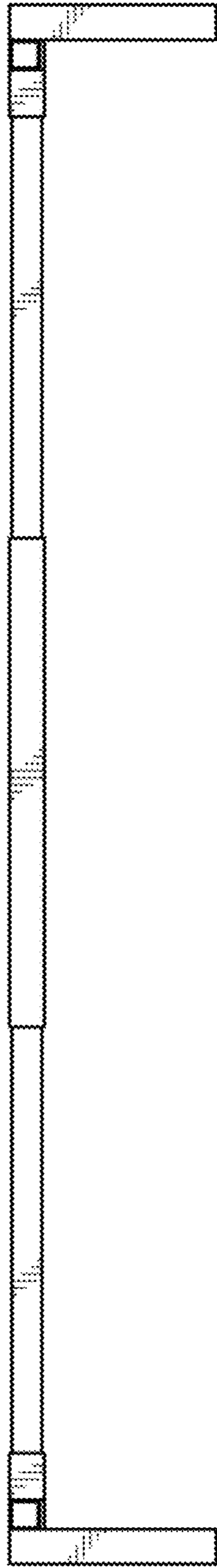
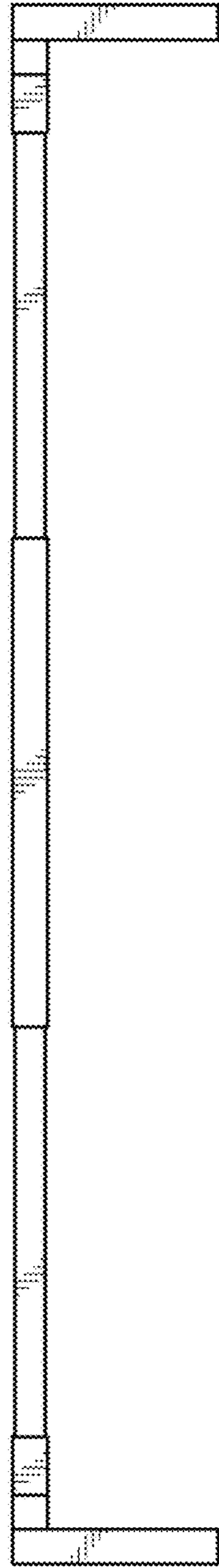


FIG. 4



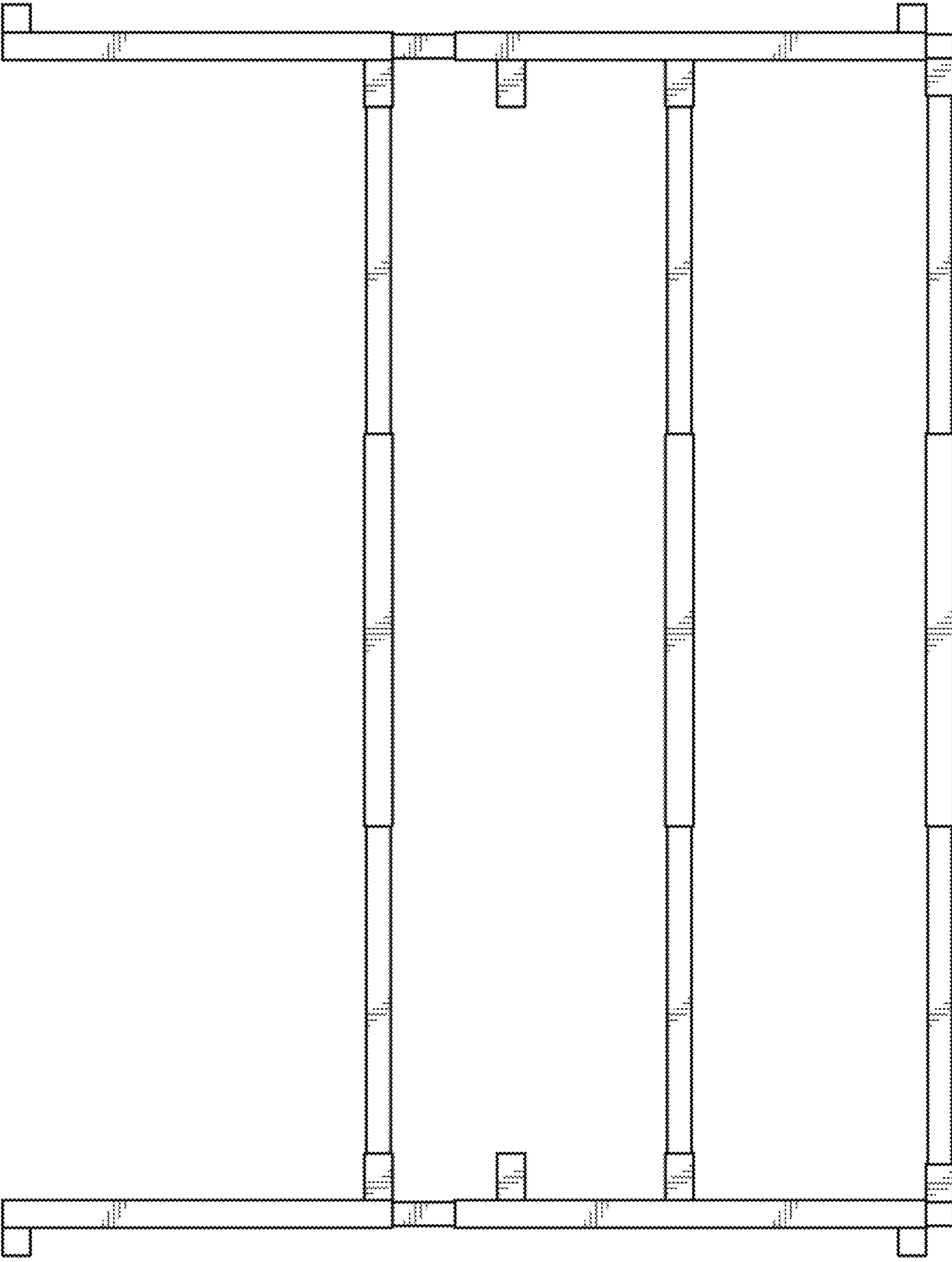


FIG. 5

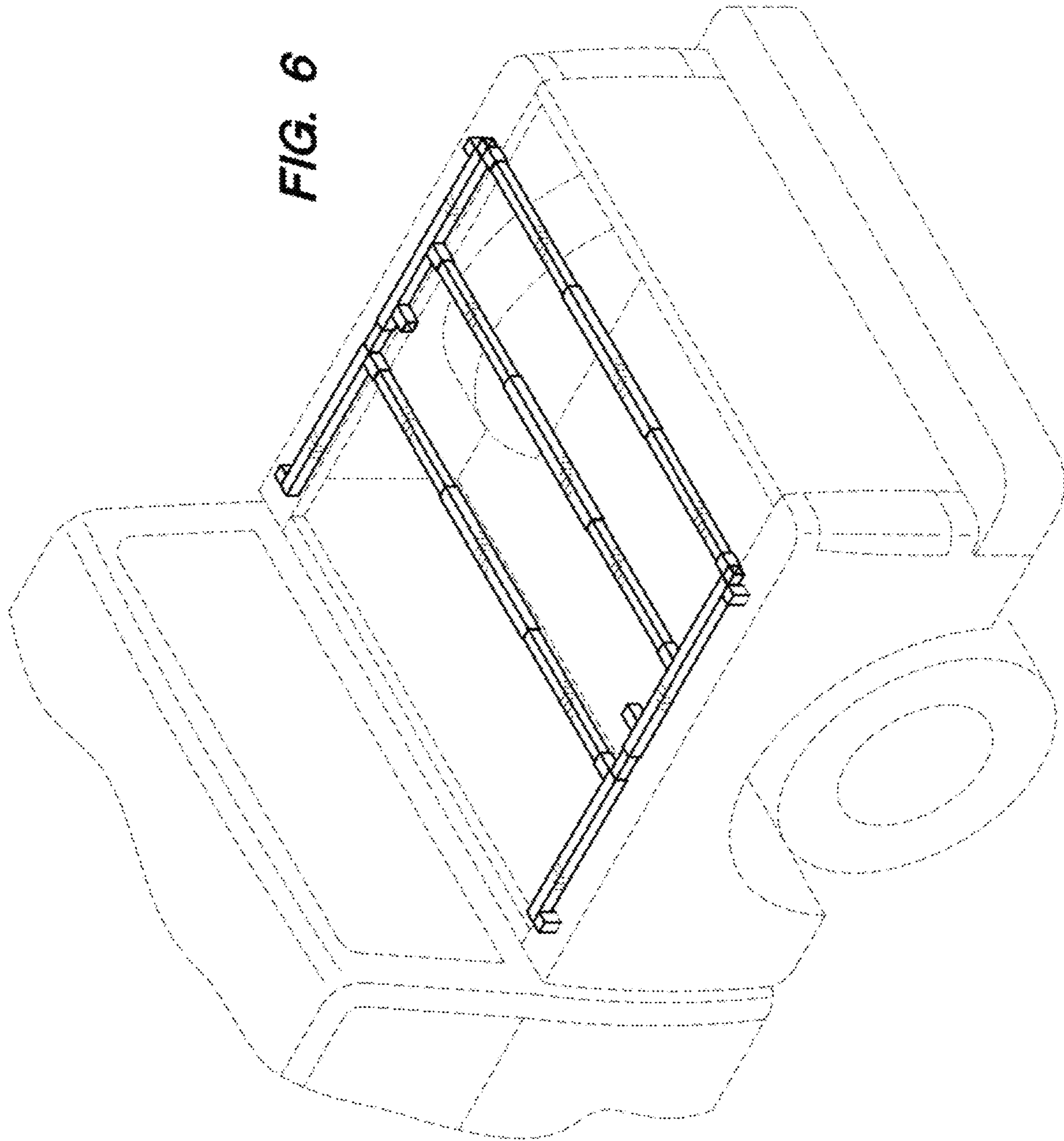


FIG. 7

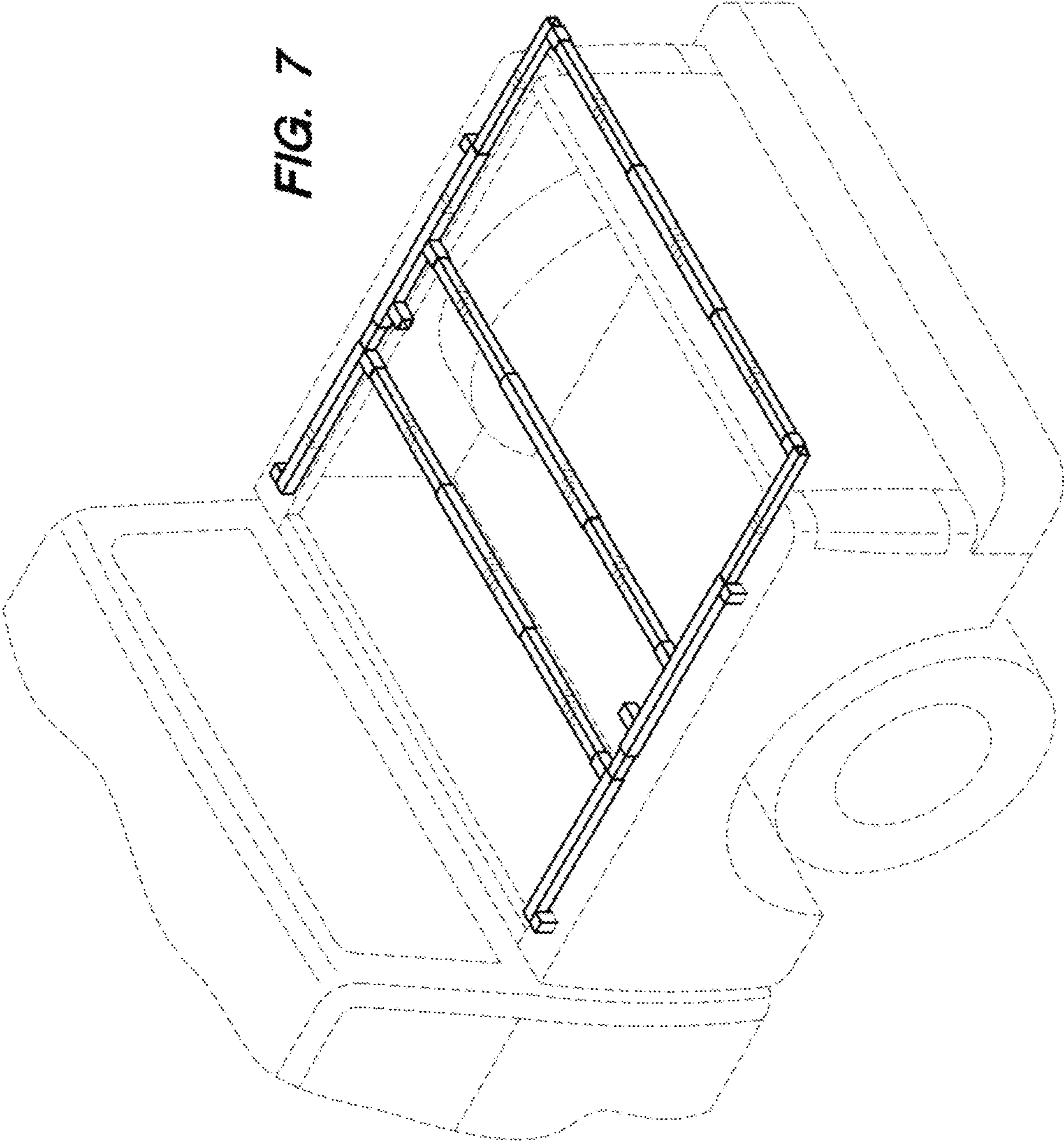


FIG. 8

